

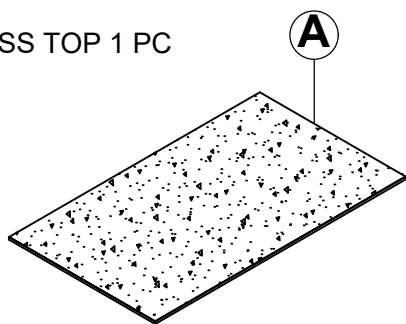
ELIZA DINING TABLE ASSEMBLY INSTRUCTIONS



PARTS PACKING CONFIGURATIONS

BOX #1

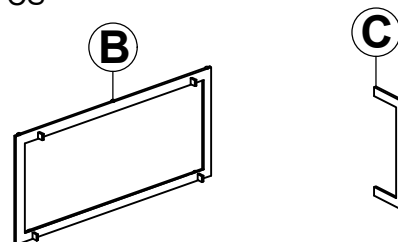
A. GLASS TOP 1 PC



BOX #2

B. LEG FRAME 1 PC

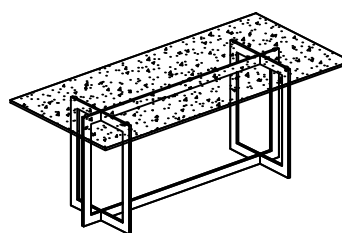
C. LEG 4 PCS



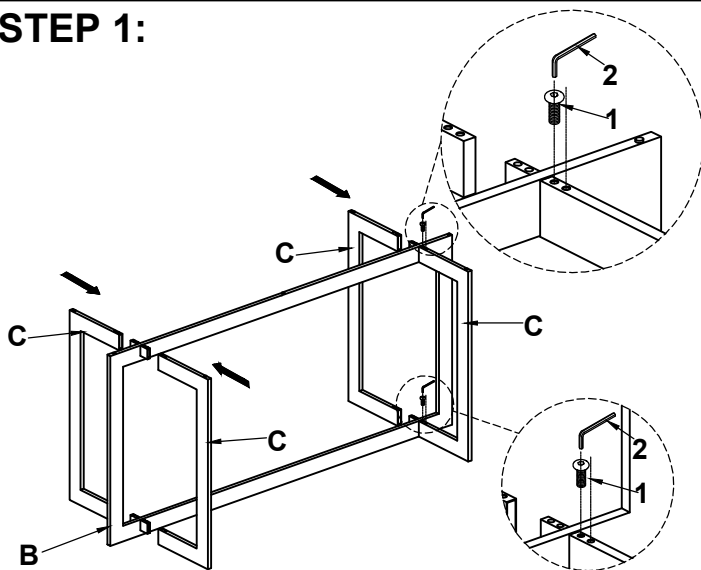
HARDWARE PACKED WITH BOX #2

| No | Description | Photo | Quantity |
|----|--------------------------|-------|----------|
| 1 | ALLEN BOLT (1/4" x 1/2") | | 16 PCS |
| 2 | ALLEN KEY (4MM) | | 1 PC |
| 3 | RUBBER BUMPER | | 7 PCS |

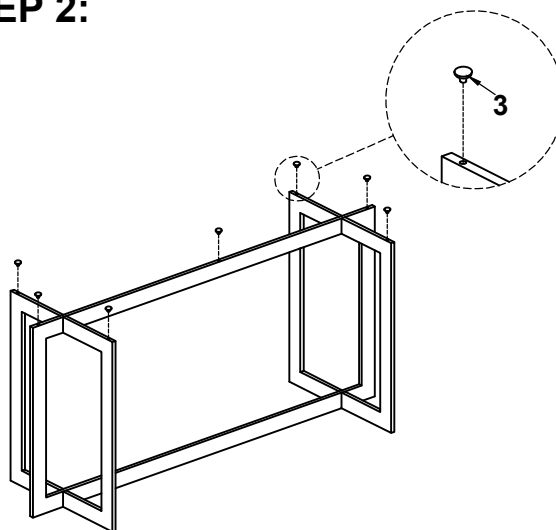
ELIZA DINING TABLE FULLY ASSEMBLED



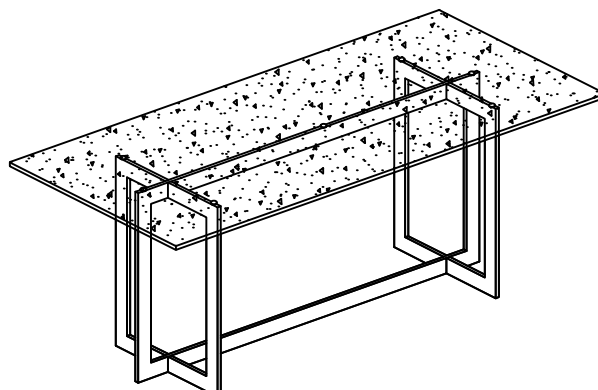
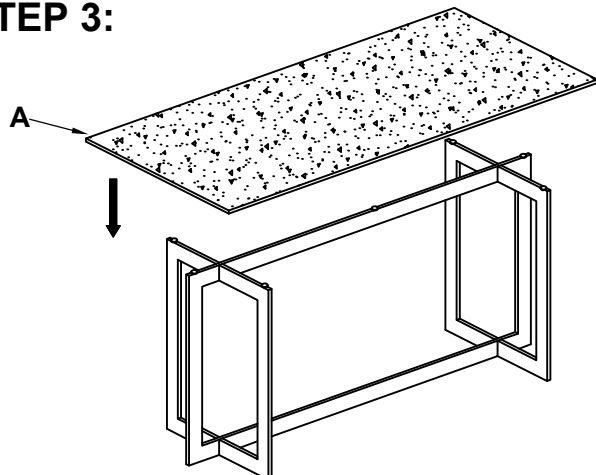
STEP 1:



STEP 2:



STEP 3:



FULLY ASSEMBLED