

Assembly Guide



If you're having any difficulty during assembly of this product, don't hesitate to call us at 1-800-950-4782.

Our customer service experts are trained to provide step-by-step instruction and can easily replace any missing or damaged parts.

Representatives are available Monday-Friday from 8:30 a.m. to 7:30 p.m. (ET)

28W 3 Drawer Storage Cabinet



Lot Code #

Instruction Sheet Number A195500

Keep manual for future reference.

For best results, keep these tips in mind:

- ① We know you want to finish this assembly as quickly as possible, but trust us: you'll have a better experience if you take it one step at a time.
- ② Give yourself some room to work near where you want the fully assembled product.
- ③ If your floor isn't carpeted, assemble this product on the empty carton to avoid scratching.
- ④ Do you have a friend who owes you a favor? Some steps may go a little easier with a second set of hands.

DOs

- ✔ Use a #2 Phillips head screwdriver (or other handheld tools as indicated)
- ✔ Wear safety glasses at all times during assembly
- ✔ Carefully follow the instructions in this guide and complete all steps in order
- ✔ Give us a call if you're having trouble with a particularly tricky step

DON'Ts

- ✘ We know power tools are quick and easy, but you shouldn't use them when assembling this product (unless otherwise specified)
- ✘ Never move your furniture with items inside or resting on the surface
- ✘ Do not attempt to use this product before all steps have been completed



Watch assembly videos right on your phone or computer!



Some steps include QR codes that link to helpful videos. Watch out for the icon below! Simply open up your smartphone camera to scan the code.

(Users of older smartphones may need to install a QR Reader.)

SCAN HERE



FOR VIDEOS

Or visit <https://www.bushbusinessfurniture.com/CustomerService/HowtoAssemble.aspx>

IMPORTANT SAFETY INFORMATION



PLEASE READ WARNINGS

Improper use can cause safety hazards, or damage to your furniture and household items.

Warning	Do	Don't	Why it's important
Serious injury may occur.	<ul style="list-style-type: none">• Assemble following all instructions using all indicated parts and hardware provided.• Install every indicated nail and/or screw.• Verify furniture is stable on it's own.• Place heaviest items in the lower drawers.• Always load the bottom drawer first.	<ul style="list-style-type: none">• Do not move unit when loaded.• Do not load with a television or other heavy equipment.• Never exceed the maximum load limits stated in the instructions.	Improper assembly, use or loading can lead to product instability, tip-over or collapse.

Caution	Do	Don't	Why it's important
Injury may occur.	<ul style="list-style-type: none">• Unload unit prior to moving starting with top drawer first.	<ul style="list-style-type: none">• Do not move unit when loaded.	Loaded units are heavy and are not designed to be moved when loaded.

IMPORTANT SAFETY INFORMATION



PLEASE READ WARNINGS

Improper use can cause safety hazards, or damage to your furniture and household items.

Advertencia	Hacer	No	Por qué es importante
Se pueden producir lesiones graves.	<ul style="list-style-type: none">• Ensamble siguiendo todas las instrucciones utilizando todas las piezas y ferretería indicados provistos.• Instale todos los clavos y / o tornillos indicados.• Verifique que los muebles sean estables por sí mismos.• Coloque los artículos más pesados en los cajones inferiores.• Siempre cargue primero el cajón inferior.	<ul style="list-style-type: none">• No cargue con un televisor u otro equipo pesado.• No exceda los límites máximos de carga establecidos en las instrucciones.• No permita que los niños se paren, trepen o cuelguen de muebles.	El ensamblaje, uso o carga inadecuados pueden provocar inestabilidad del producto, vuelco o colapso.

Atención	Hacer	No	Por qué es importante
Se pueden producir lesiones.	<ul style="list-style-type: none">• Descargue la unidad antes de moverla, comenzando primero con el cajón superior.	<ul style="list-style-type: none">• No mueva la unidad cuando esté cargada.	Las unidades cargadas son pesadas y no están diseñadas para moverse cuando están cargadas.

IMPORTANT SAFETY INFORMATION

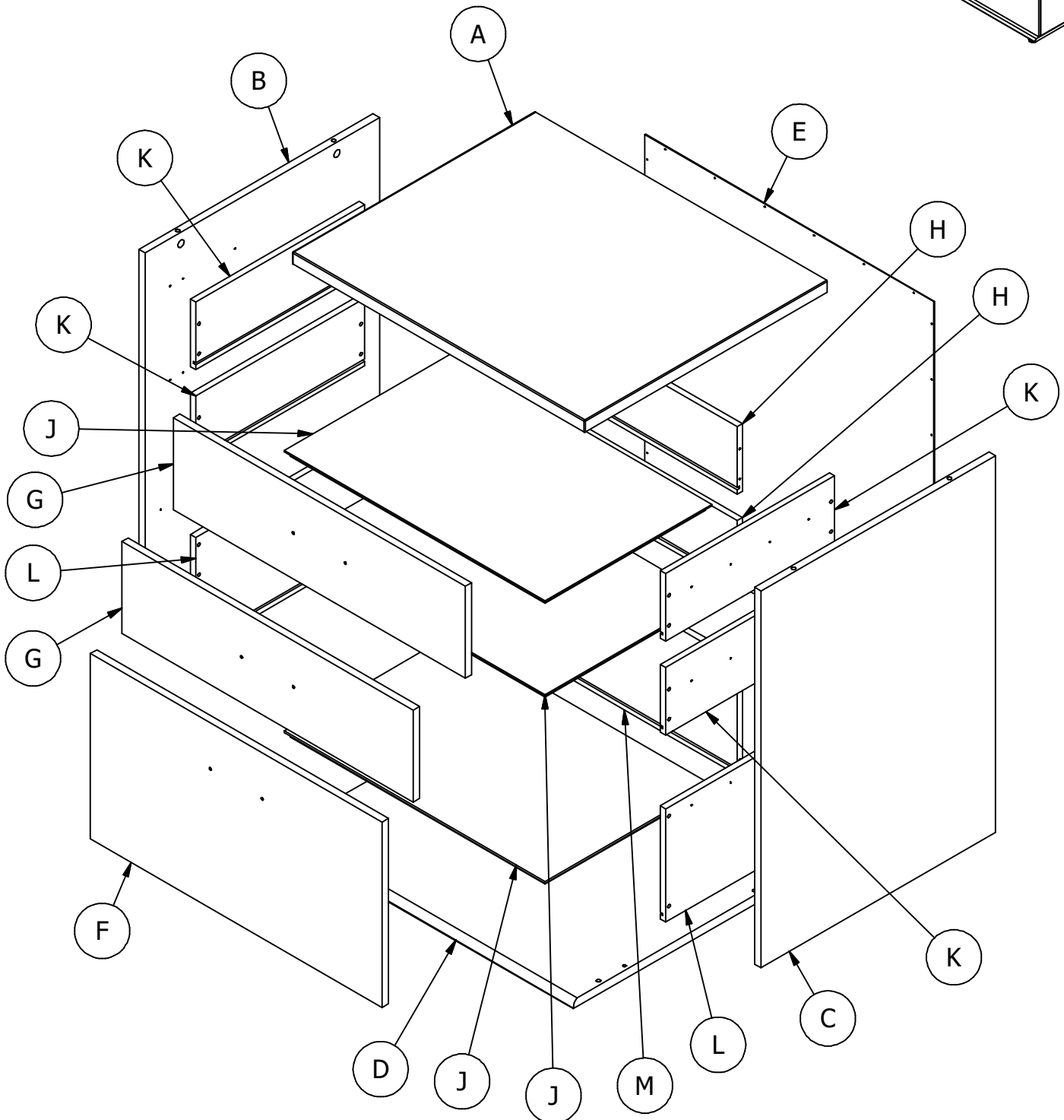
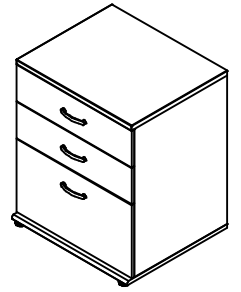


PLEASE READ WARNINGS

Improper use can cause safety hazards, or damage to your furniture and household items.

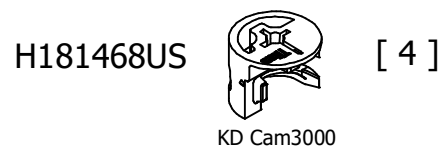
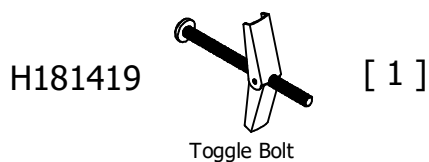
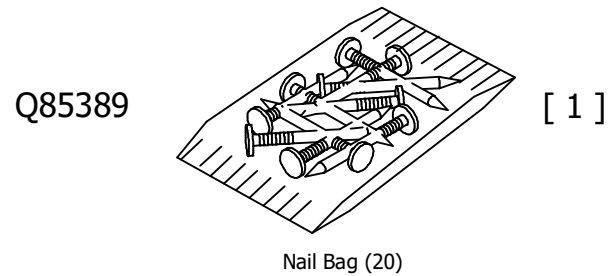
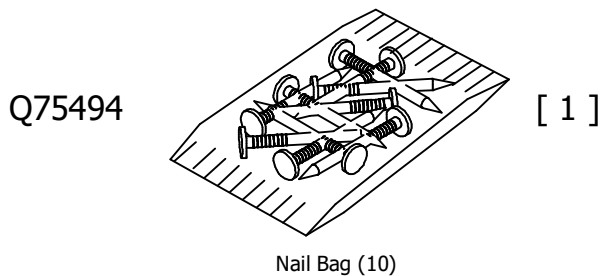
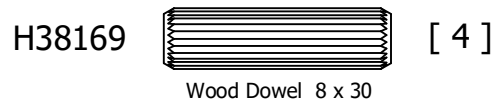
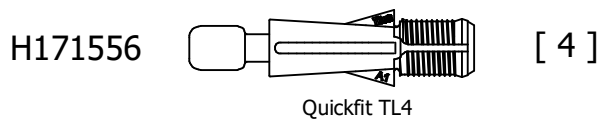
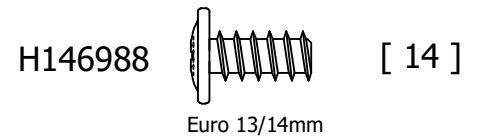
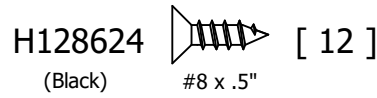
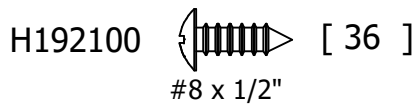
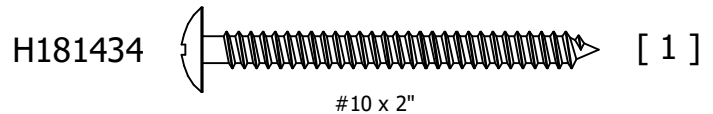
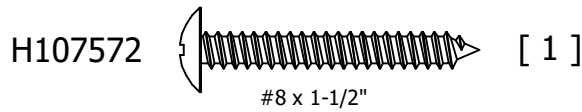
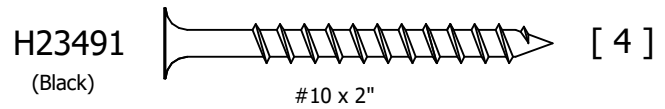
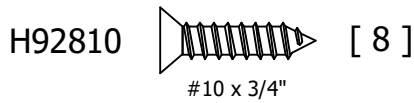
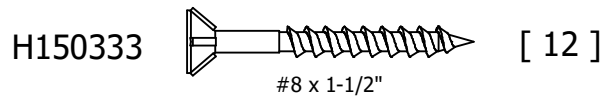
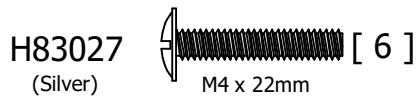
Avertissement	Faire	Ne le fais pas	Pourquoi c'est important
Des blessures graves peuvent survenir.	<ul style="list-style-type: none">• Assemblez en suivant toutes les instructions en utilisant toutes les pièces et le matériel indiqués fournis.• Installez tous les clous et / ou vis indiqués.• Vérifiez que les meubles sont stables par eux-mêmes.• Placez les objets les plus lourds dans les tiroirs inférieurs.• Chargez toujours le tiroir inférieur en premier."	<ul style="list-style-type: none">• Ne chargez pas avec un téléviseur ou un autre équipement lourd.• Ne dépassez pas les limites de charge maximale indiquées dans les instructions.• Ne laissez pas les enfants se tenir debout, grimper ou s'accrocher aux meubles.	Un assemblage, une utilisation ou un chargement incorrects peuvent entraîner une instabilité du produit, un renversement ou un effondrement.

Attention	Faire	Ne le fais pas	Pourquoi c'est important
Des blessures peuvent survenir.	<ul style="list-style-type: none">• Déchargez l'unité avant de déplacer en commençant par le tiroir supérieur en premier.	<ul style="list-style-type: none">• Ne déplacez pas l'unité lorsqu'elle est chargée.	Les unités chargées sont lourdes et ne sont pas conçues pour être déplacées lorsqu'elles sont chargées.



Have an assembly question or need a replacement part? Just call
1-800-950-4782, we are here to help.

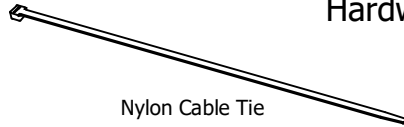
Fasteners are shown actual size.



Have an assembly question or need a replacement part? Just call **1-800-950-4782**, we are here to help.

Hardware not to scale.

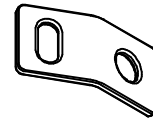
H181411



Nylon Cable Tie

[1]

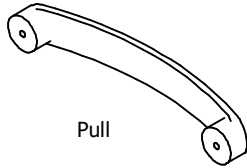
H181412



Connecting Plate

[2]

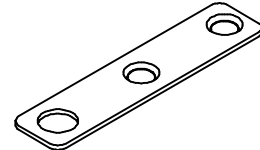
H187561



Pull

[3]

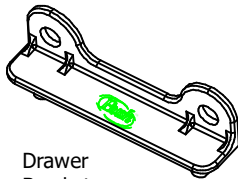
H193972



Leveler Bracket

[4]

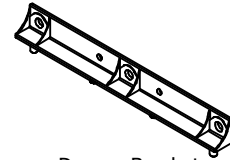
H100445



Drawer Bracket

[4]

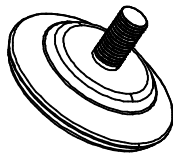
H146990



Drawer Bracket

[2]

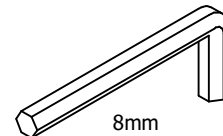
H193974



Leveler

[4]

H194046

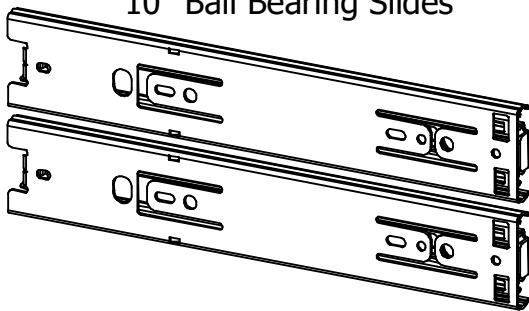


8mm

[1]

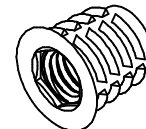
10" Ball Bearing Slides

Q197115



[1]

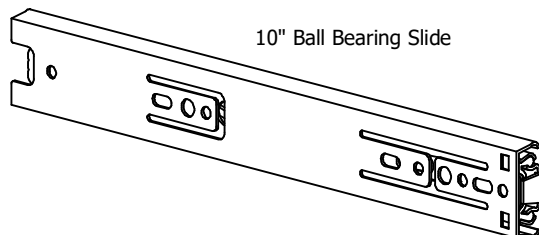
H193973



Caster Insert

[4]

Q184100



10" Ball Bearing Slide

[2 Sets of 2]

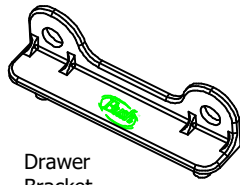
Have an assembly question or need a replacement part? Just call **1-800-950-4782**, we are here to help.

STEP 1

Prepare Drawer Fronts

A195500

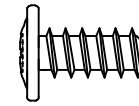
H100445



Drawer
Bracket

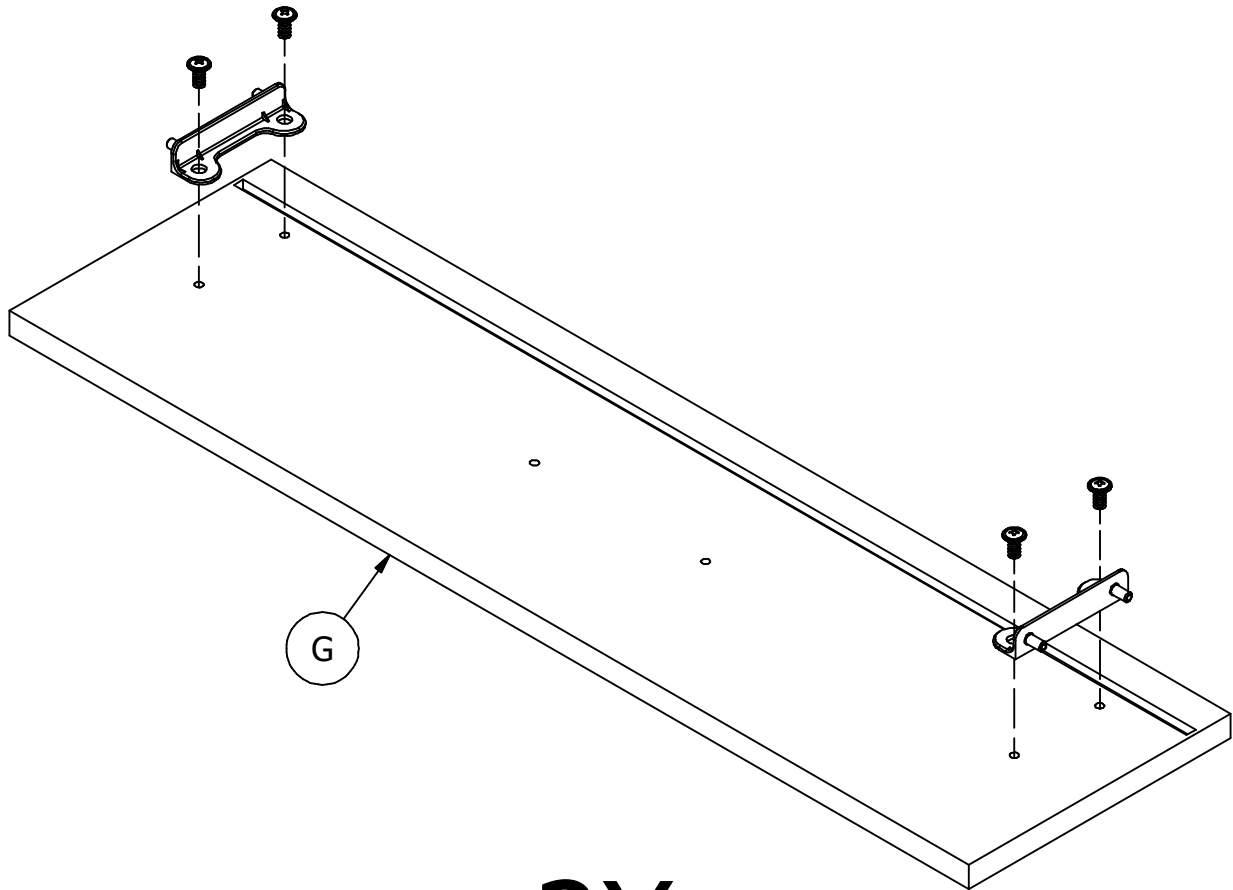
[4]

H146988



Euro 13/14mm

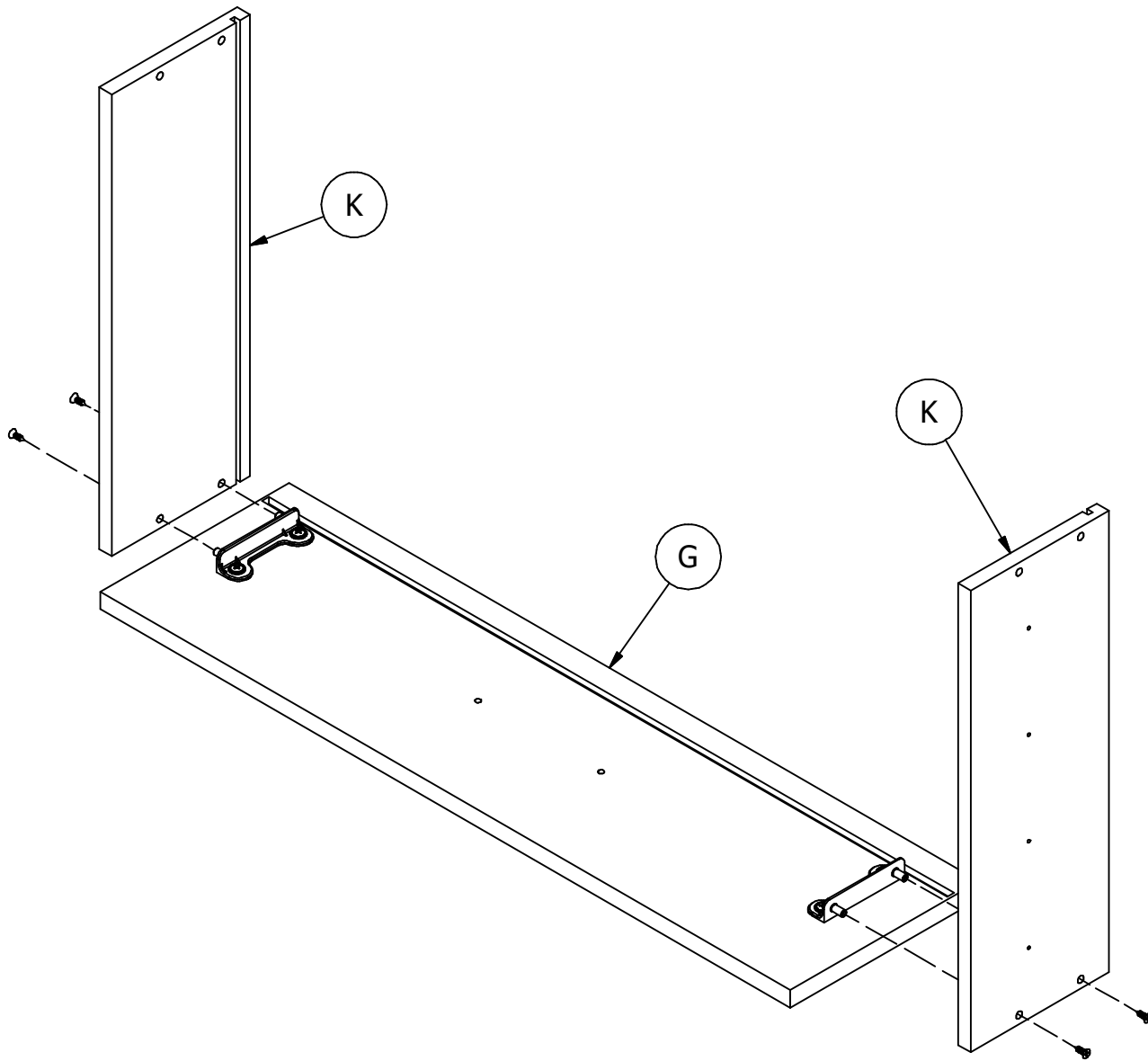
[8]



2X

Have an assembly question or need a replacement part? Just call
1-800-950-4782, we are here to help.

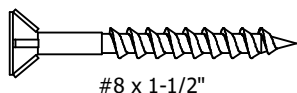
H128624 [8]
(Black) #8 x .5"



2X

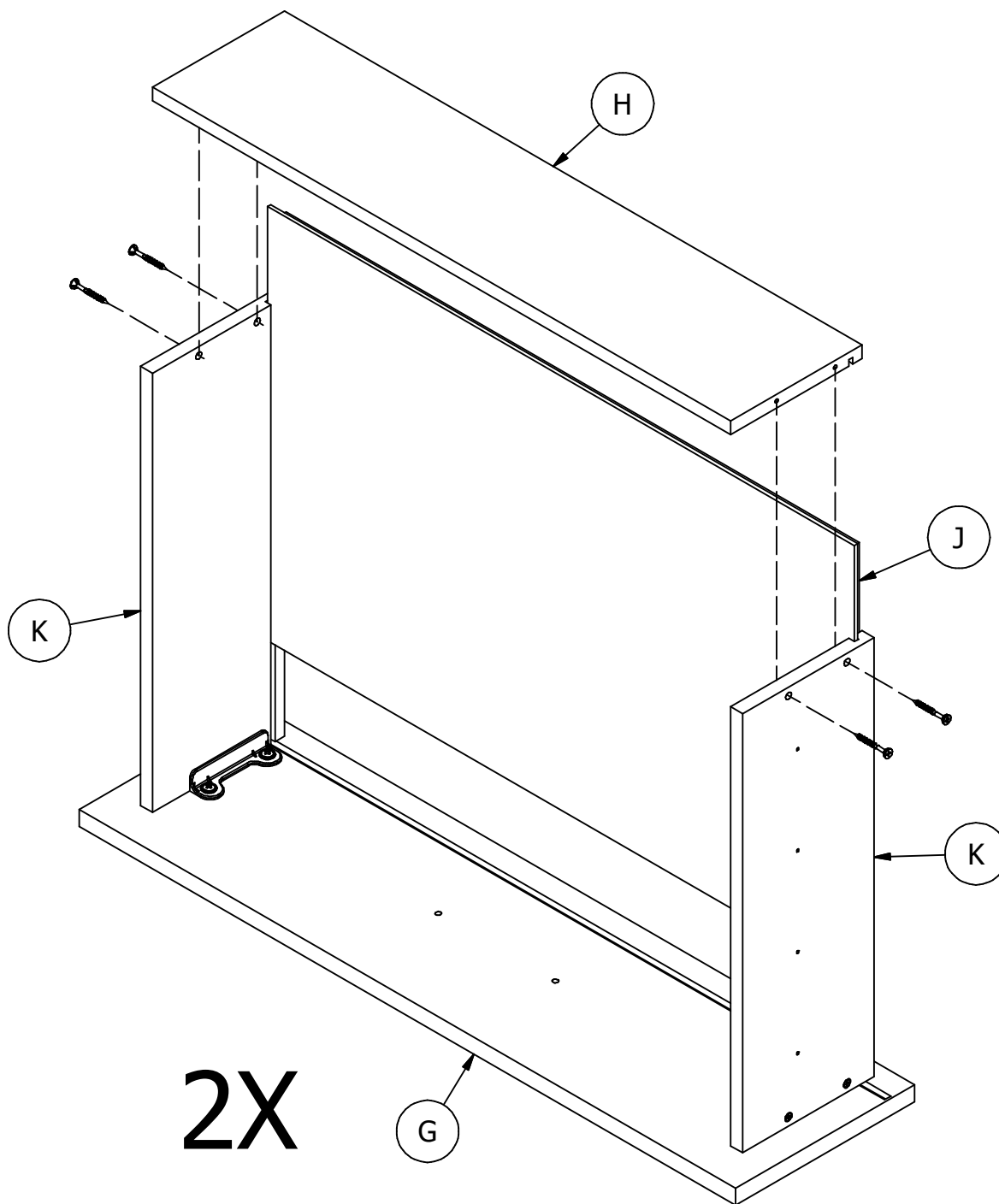
Have an assembly question or need a replacement part? Just call
1-800-950-4782, we are here to help.

H150333



[8]

#8 x 1-1/2"



Have an assembly question or need a replacement part? Just call
1-800-950-4782, we are here to help.

Scan QR Code to
Watch Video on:

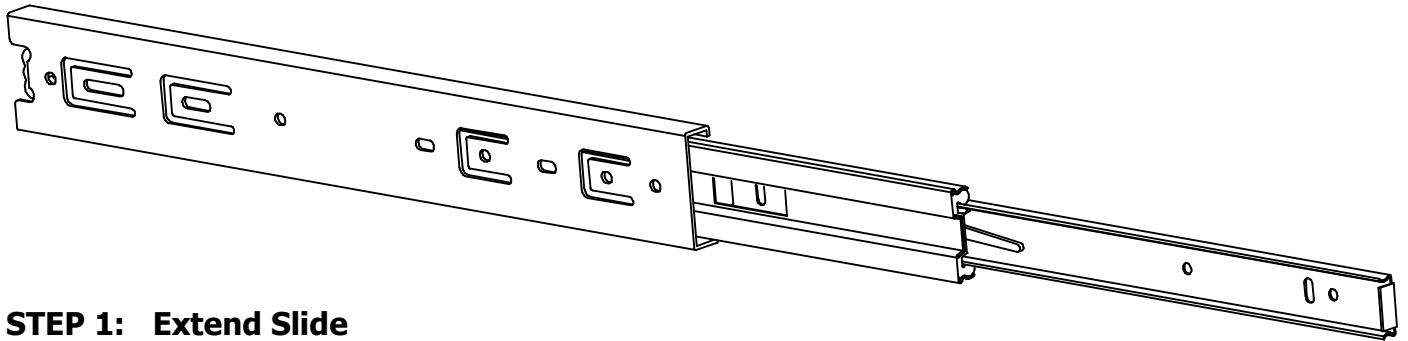


How to Separate
and Install Drawer
Slides

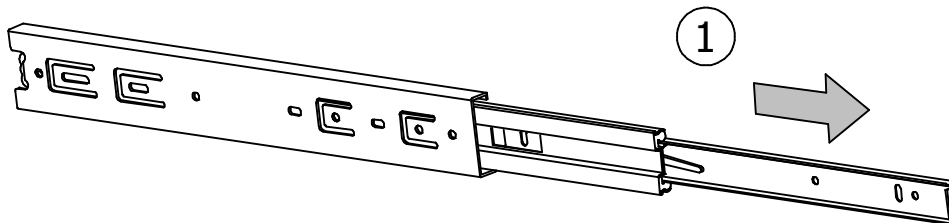
**Slides Must Be Separated Before Assembly.
After Separated, Set Aside Until Needed for Assembly.**

Las diapositivas deben separarse antes del montaje.
Después de la separación, déjelo a un lado hasta que sea necesario.

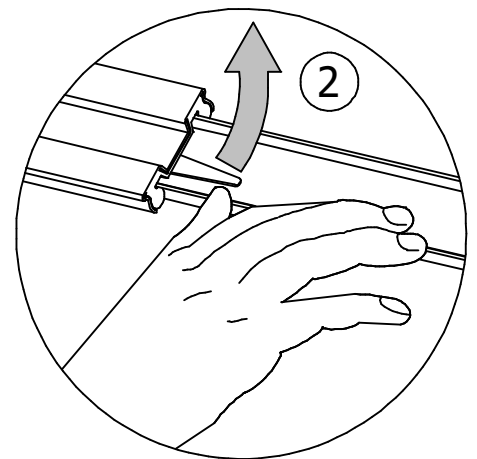
Les glissières doivent être séparées avant l'assemblage.
Après la séparation, mettez de côté jusqu'au moment de l'assemblage.



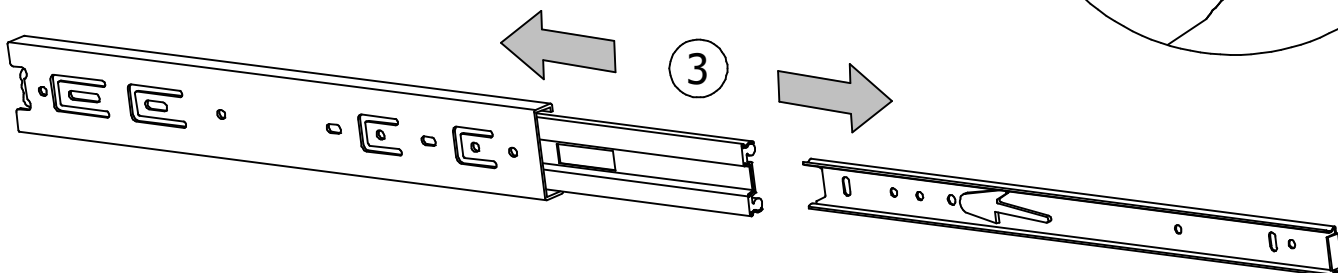
STEP 1: Extend Slide
Extender la diapositiva
Extendre la diapositive



STEP 2: Push Lever UP
Empujar hacia arriba
Lever le levier



STEP 3: Remove Runner
Quitar el corredor
Enlever le coureur



Have an assembly question or need a replacement part? Just call
1-800-950-4782, we are here to help.

STEP 5

Attach Hardware

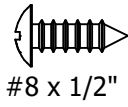
A195500

Scan QR Code to Watch Video on:



How to Separate and Install Drawer Slides

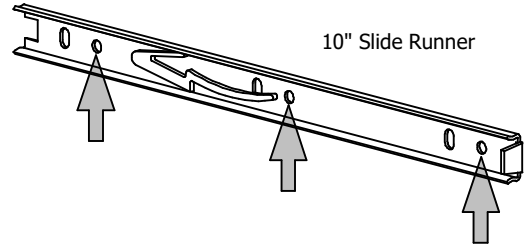
H192100



[12]

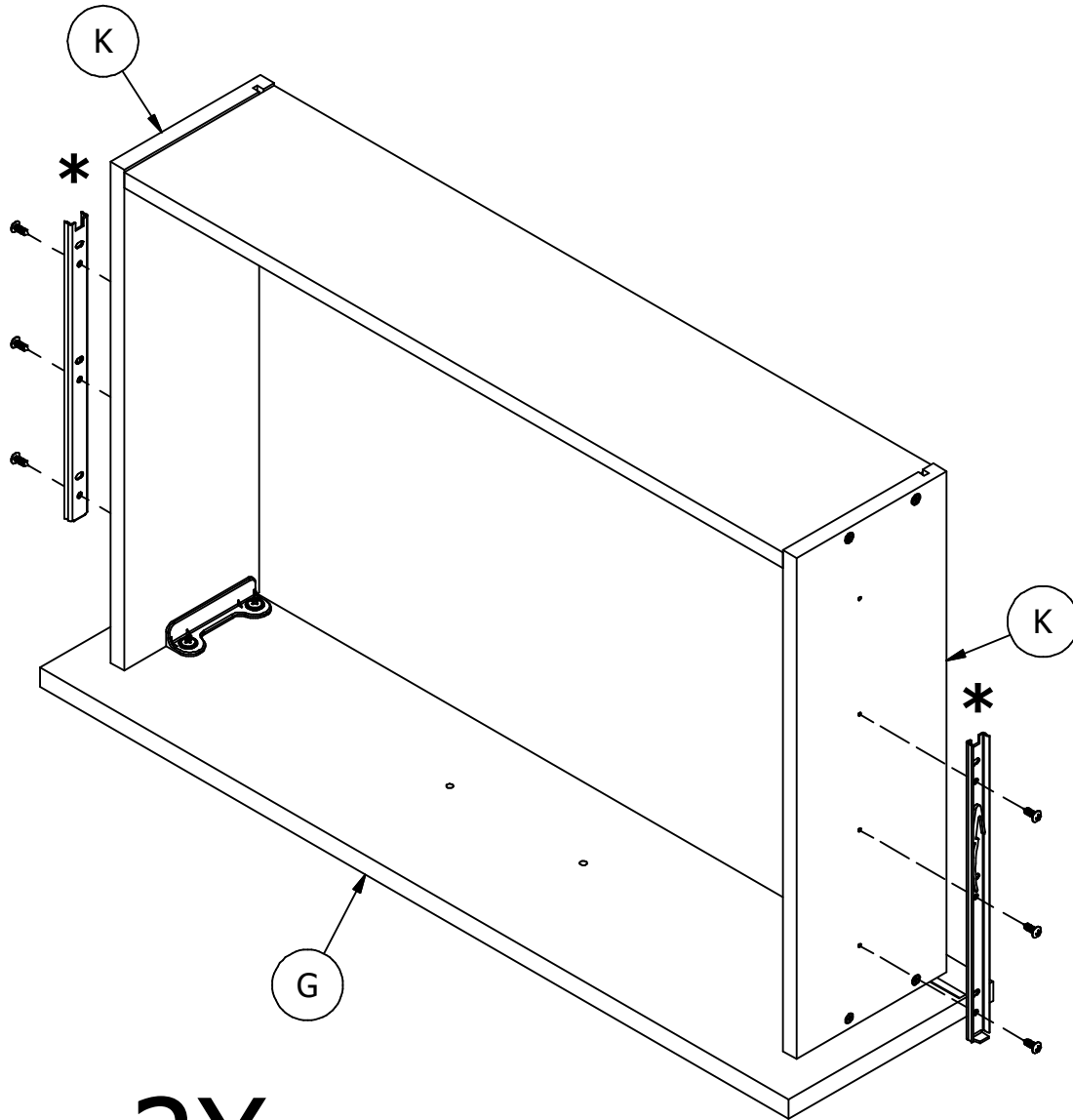
Q184100

*



10" Slide Runner

[4]



2X

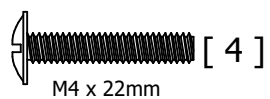
Have an assembly question or need a replacement part? Just call **1-800-950-4782**, we are here to help.

STEP 6

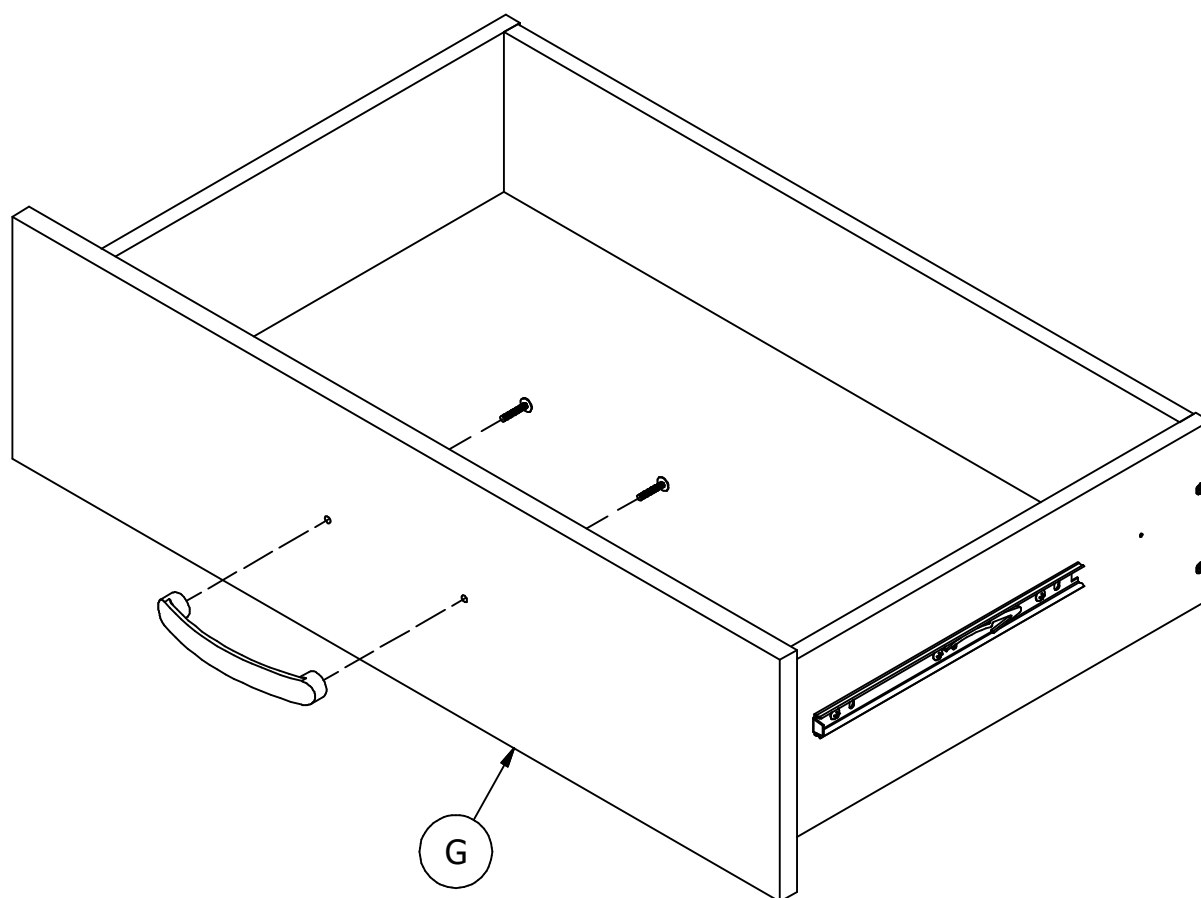
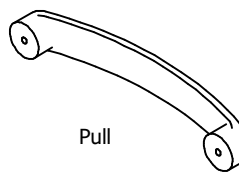
Attach Hardware

A195500

H83027
(Silver)



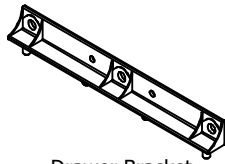
H187561



2X

Have an assembly question or need a replacement part? Just call
1-800-950-4782, we are here to help.

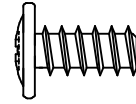
H146990



Drawer Bracket

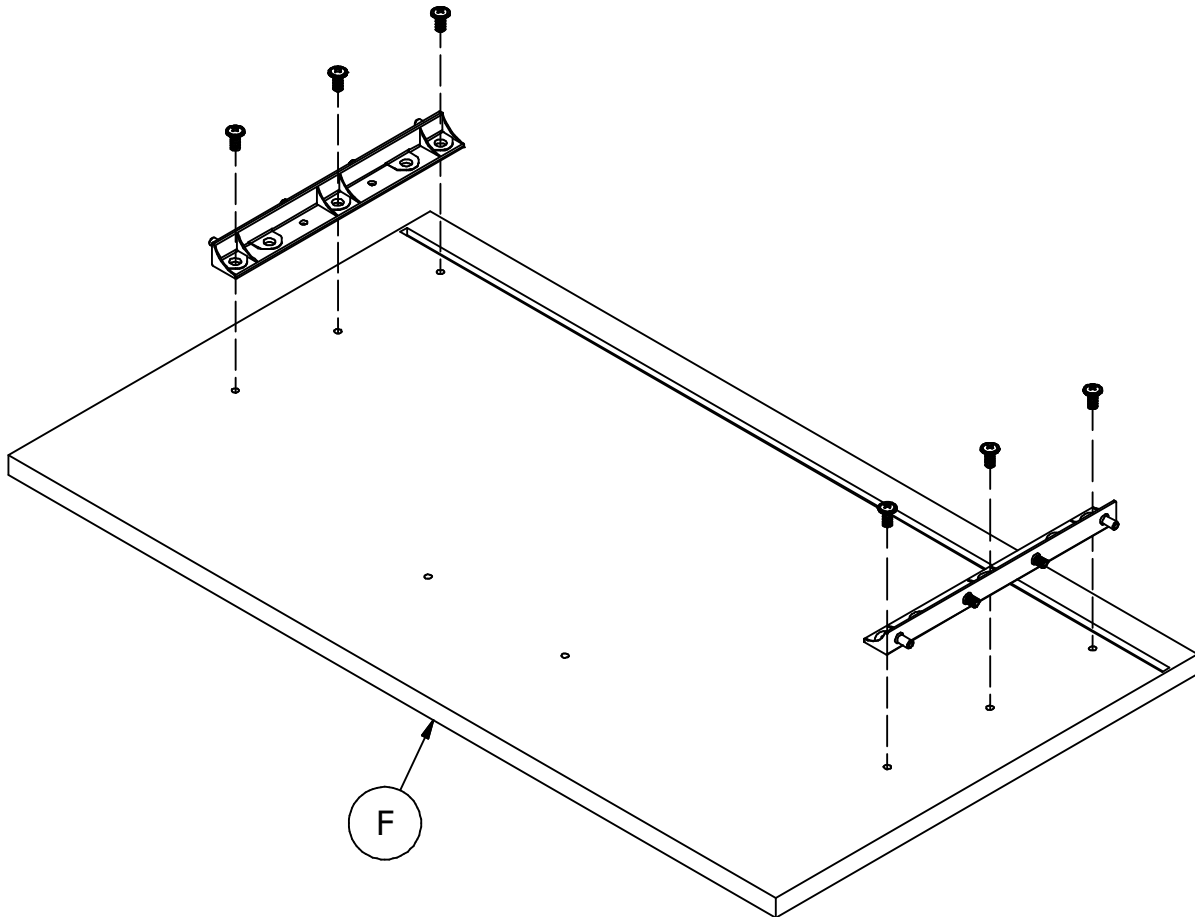
[2]

H146988



Euro 13/14mm

[6]



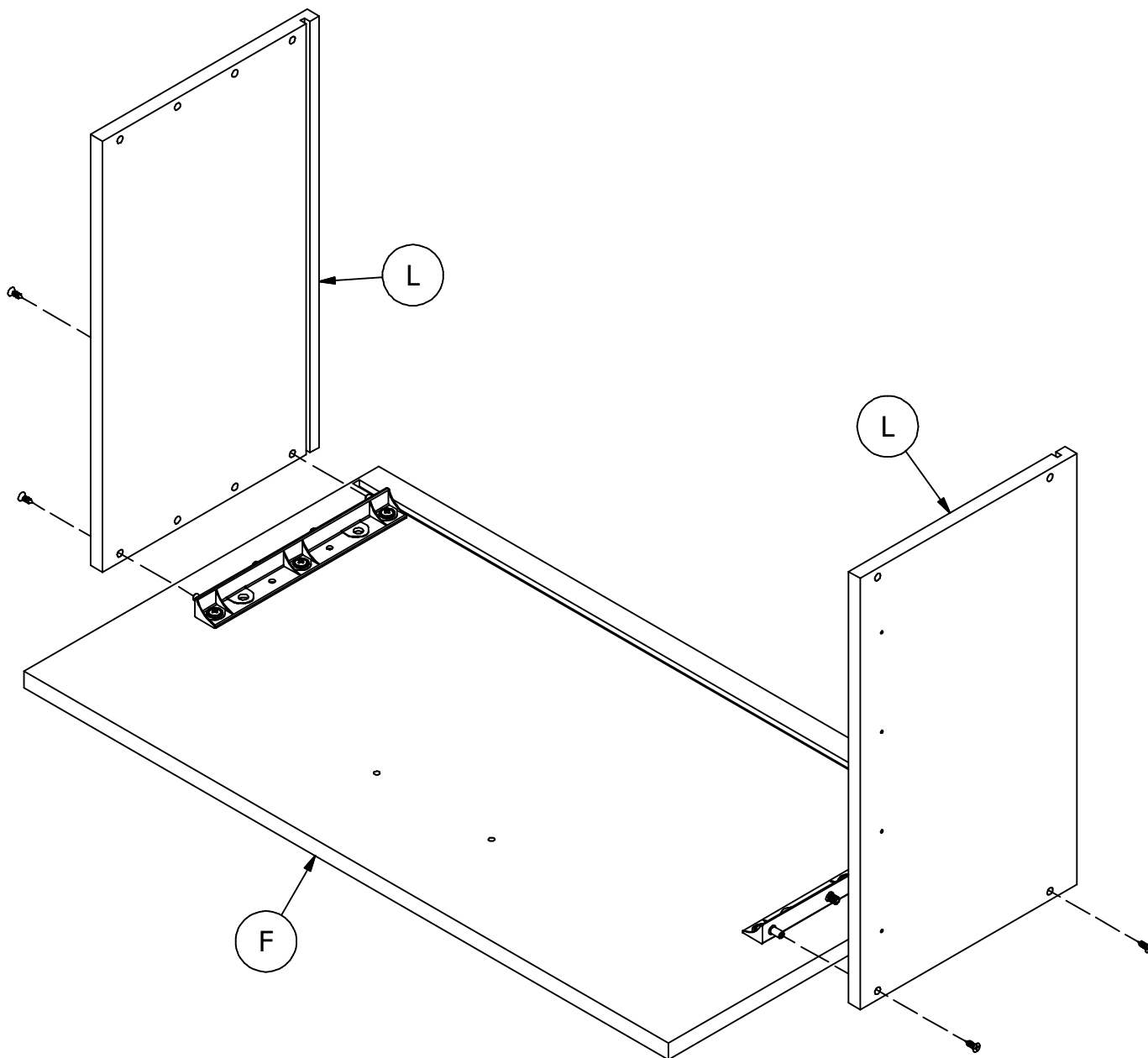
Have an assembly question or need a replacement part? Just call **1-800-950-4782**, we are here to help.

STEP 8

Assemble Drawer

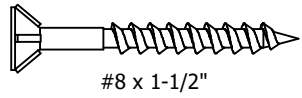
A195500

H128624 [4]
(Black) #8 x .5"

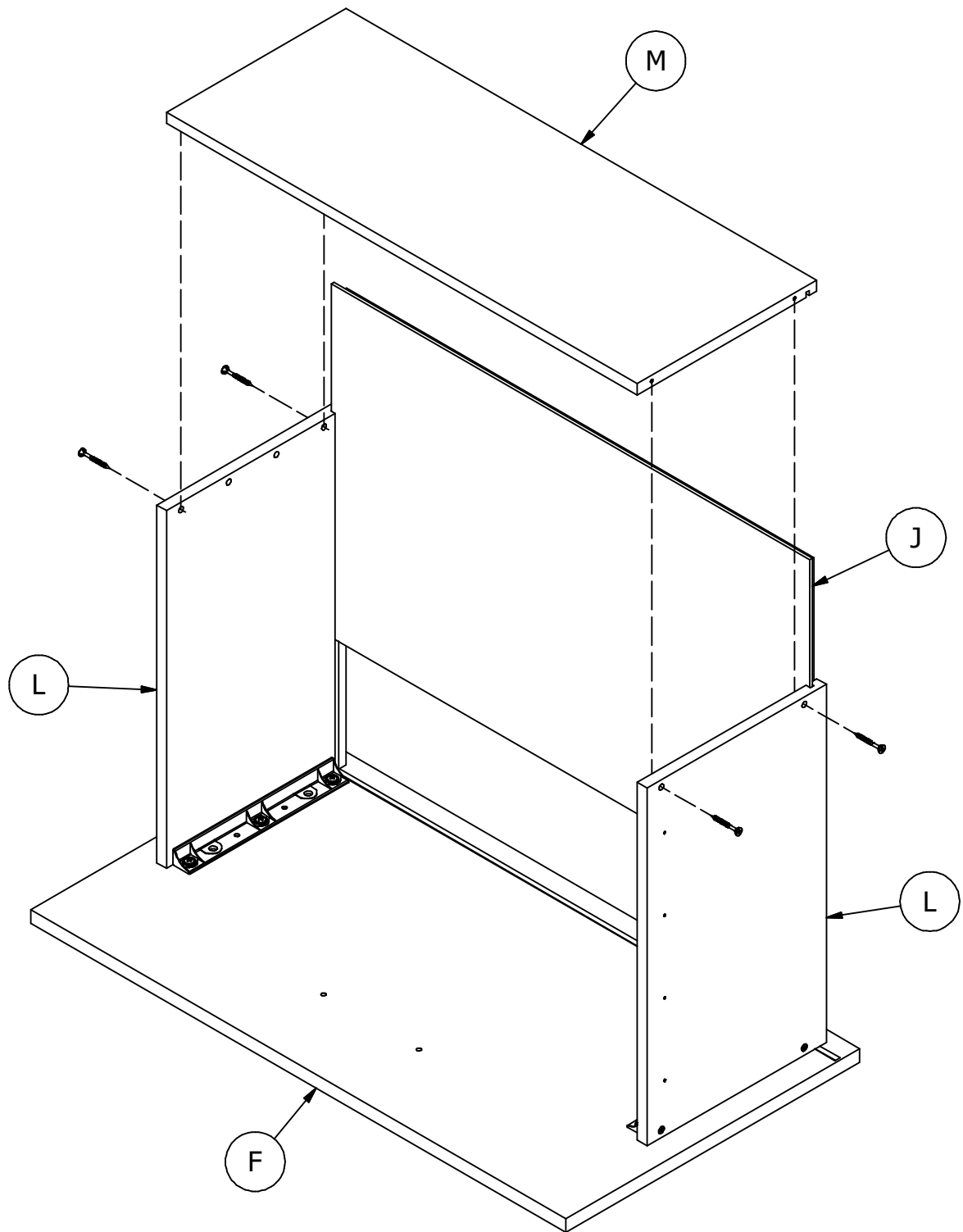


Have an assembly question or need a replacement part? Just call
1-800-950-4782, we are here to help.

H150333



[4]



Have an assembly question or need a replacement part? Just call
1-800-950-4782, we are here to help.

Scan QR Code to Watch Video on:

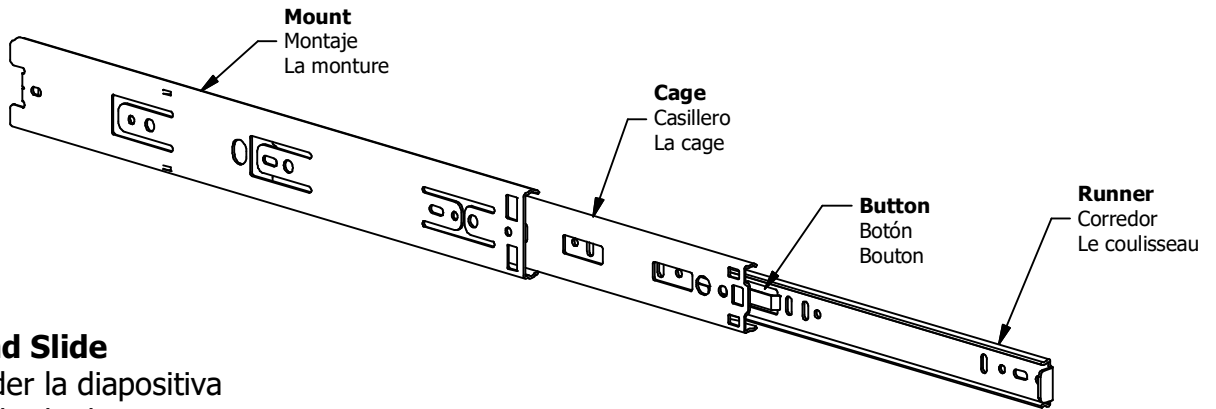


How to Separate and Install Drawer Slides

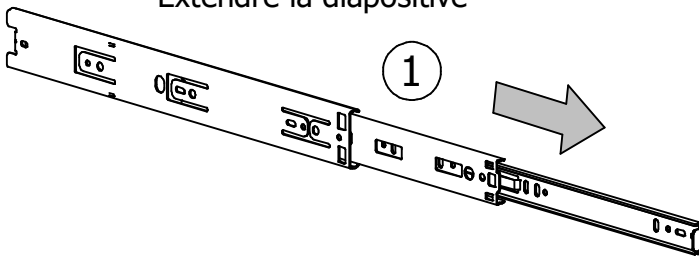
**Slides Must Be Separated Before Assembly.
After Separated, Set Aside Until Needed for Assembly.**

Las diapositivas deben separarse antes del montaje.
Después de la separación, déjelo a un lado hasta que sea necesario.

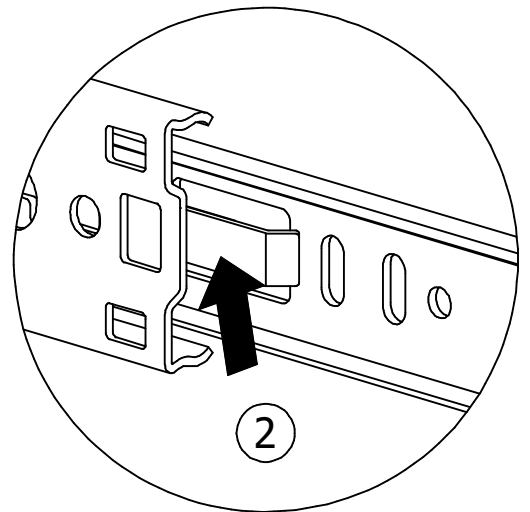
Les glissières doivent être séparées avant l'assemblage.
Après la séparation, mettez de côté jusqu'au moment de l'assemblage.



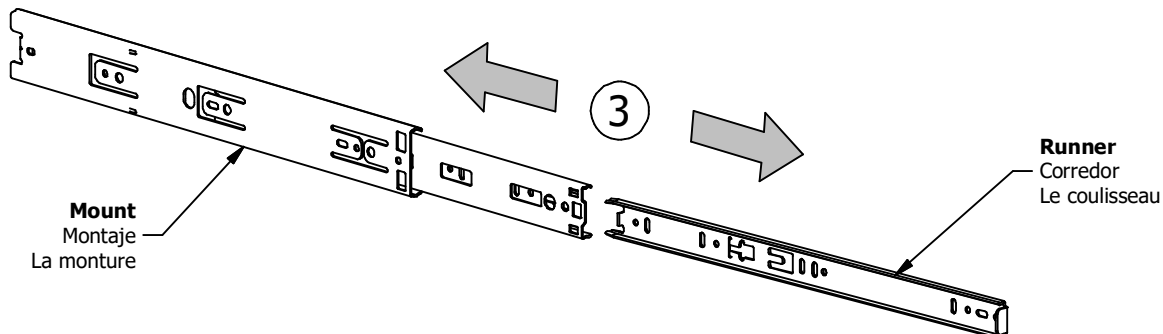
STEP 1: Extend Slide
Extender la diapositiva
Extendre la diapositive



STEP 2: Push Button
Presionar el botón
Bouton poussoir



STEP 3: Remove Runner
Quitar el corredor
Enlever le coureur



Have an assembly question or need a replacement part? Just call **1-800-950-4782**, we are here to help.

STEP 11

Attach Hardware

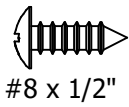
A195500

Scan QR Code to Watch Video on:



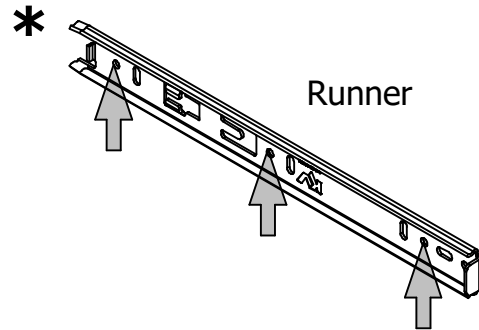
How to Separate and Install Drawer Slides

H192100

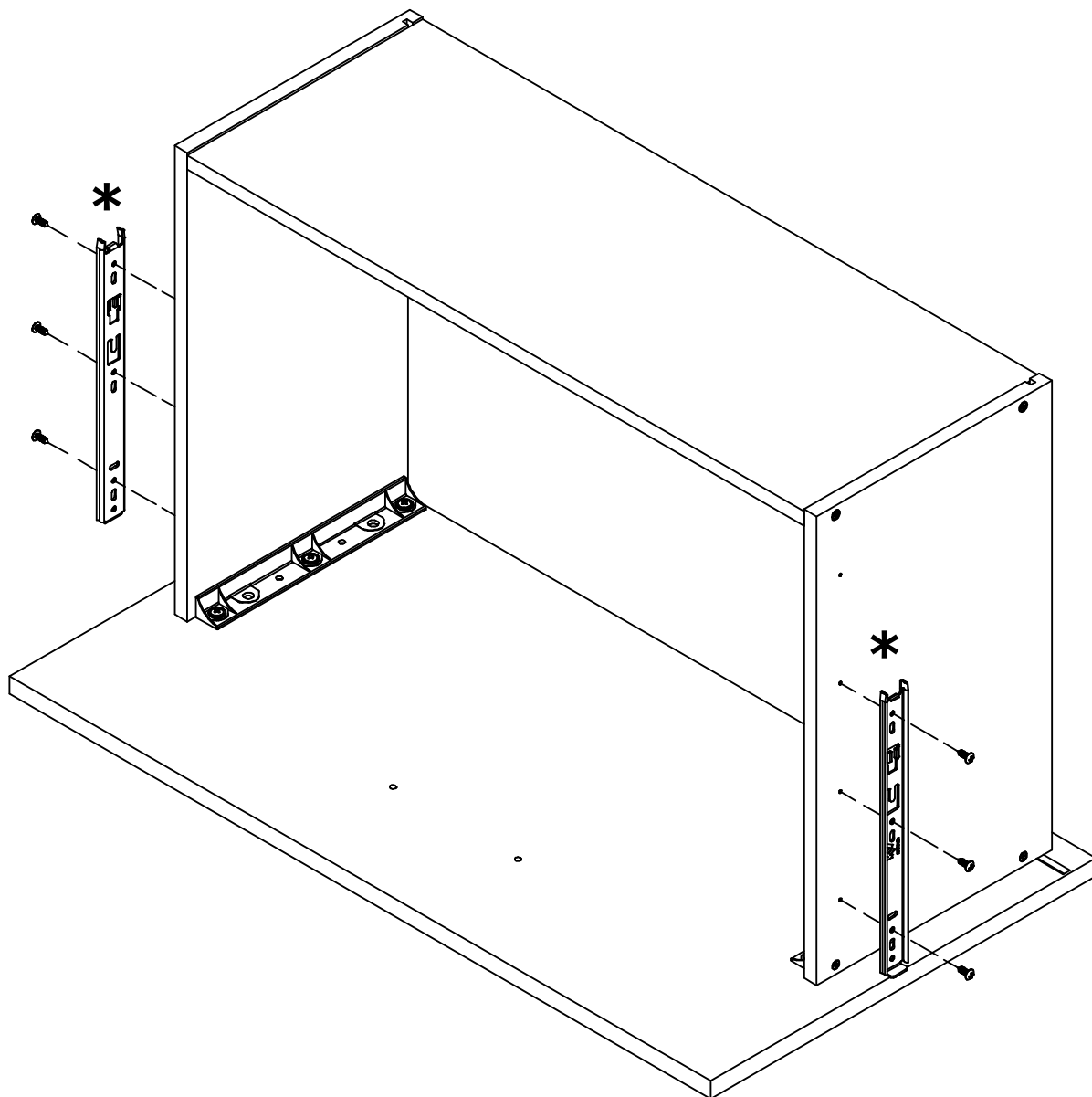


[6]

Q197115

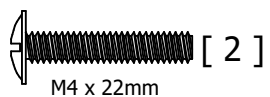


[2]

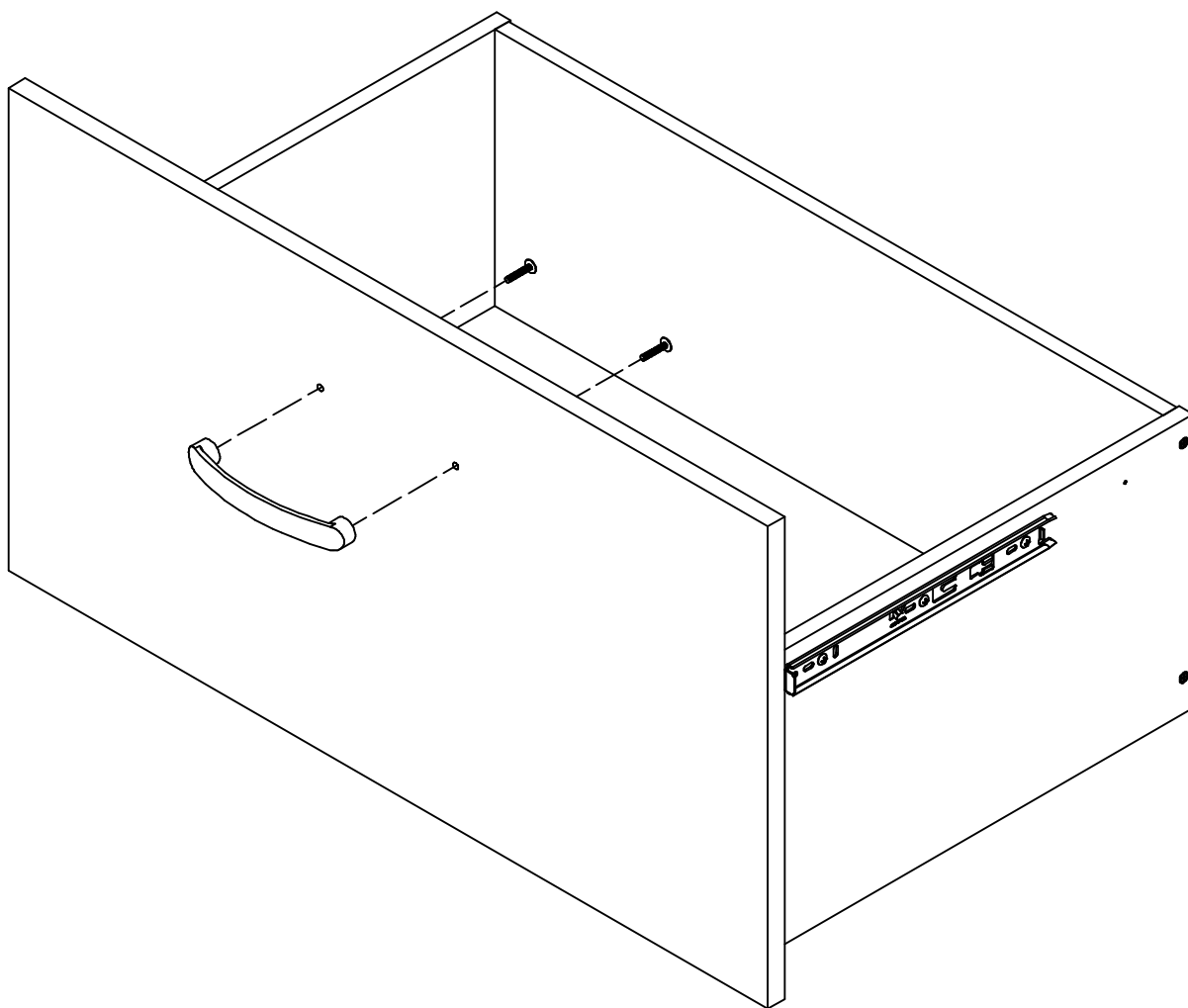
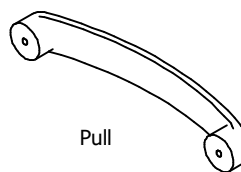


Have an assembly question or need a replacement part? Just call **1-800-950-4782**, we are here to help.

H83027
(Silver)



H187561



Have an assembly question or need a replacement part? Just call
1-800-950-4782, we are here to help.

STEP 13


Prepare Panel

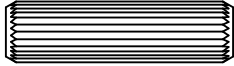
A195500

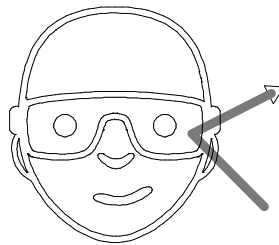
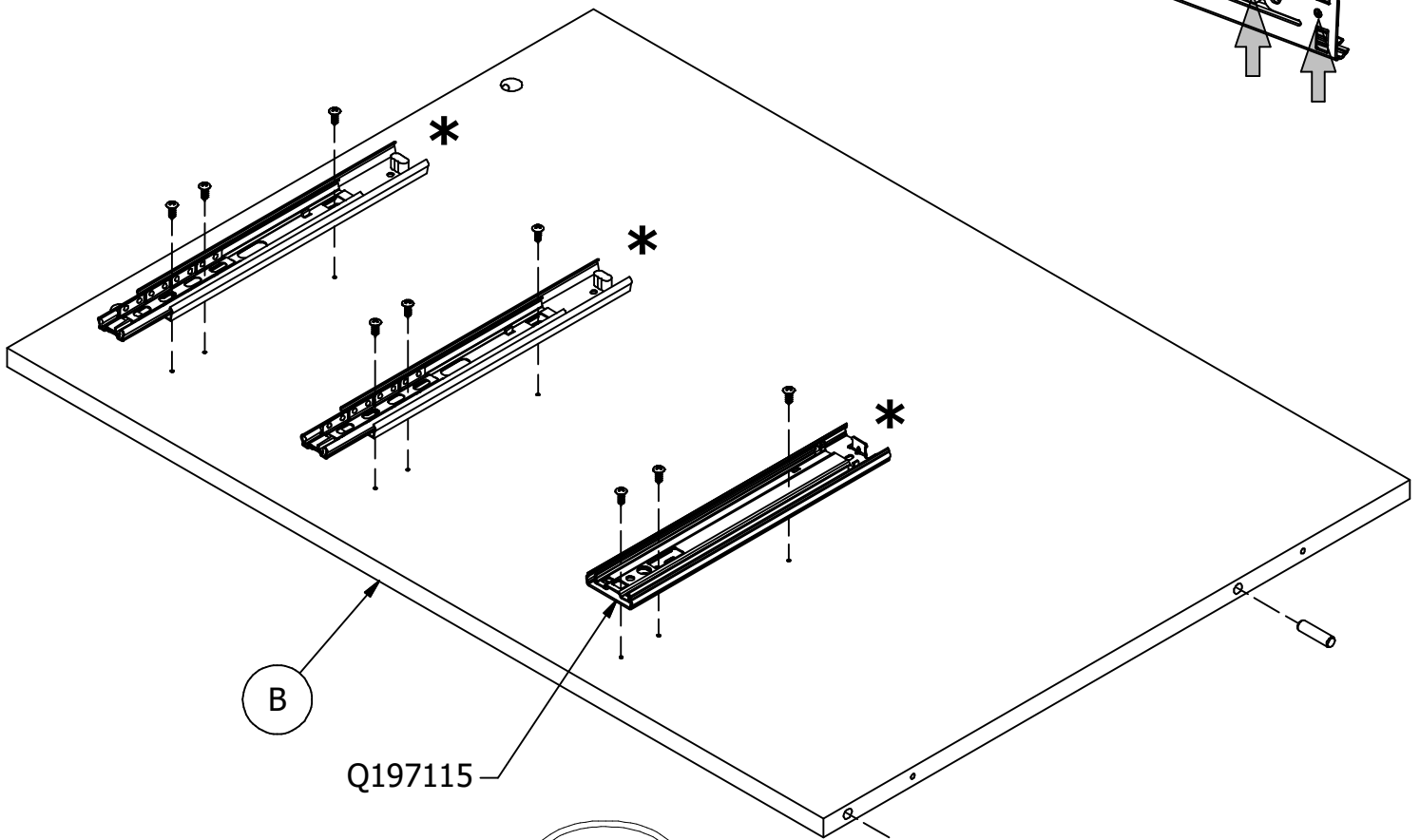
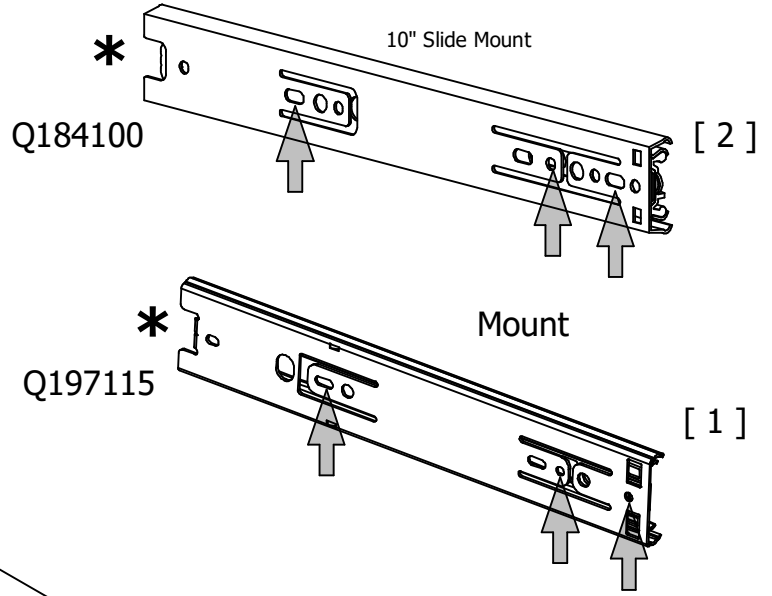
Scan QR Code to Watch Video on:



How to Separate and Install Drawer Slides

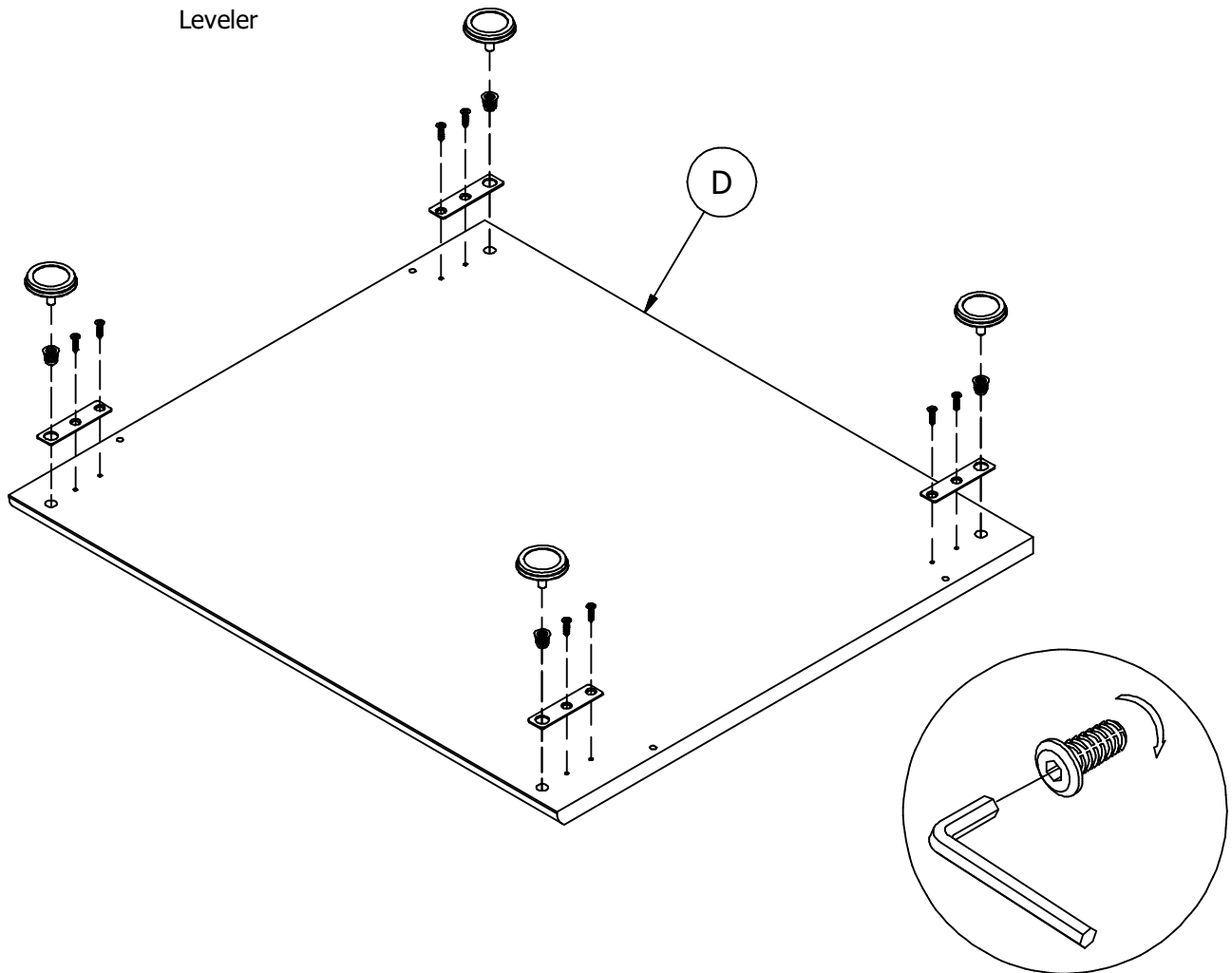
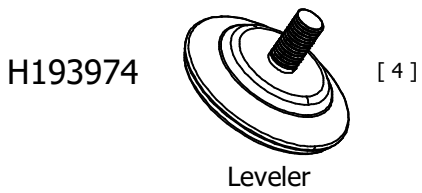
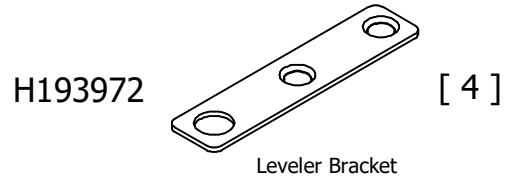
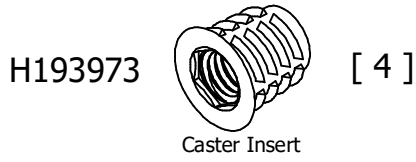
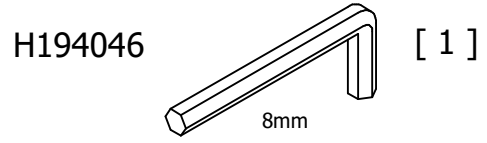
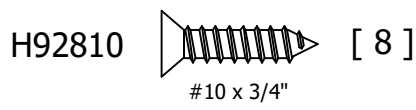
H192100  [9]
#8 x 1/2"

H38169  [2]
Wood Dowel 8 x 30

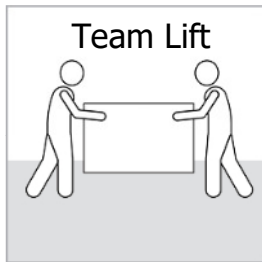


Safety glasses
Gafas de seguridad
Lunettes de protection

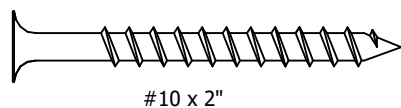
Have an assembly question or need a replacement part? Just call **1-800-950-4782**, we are here to help.



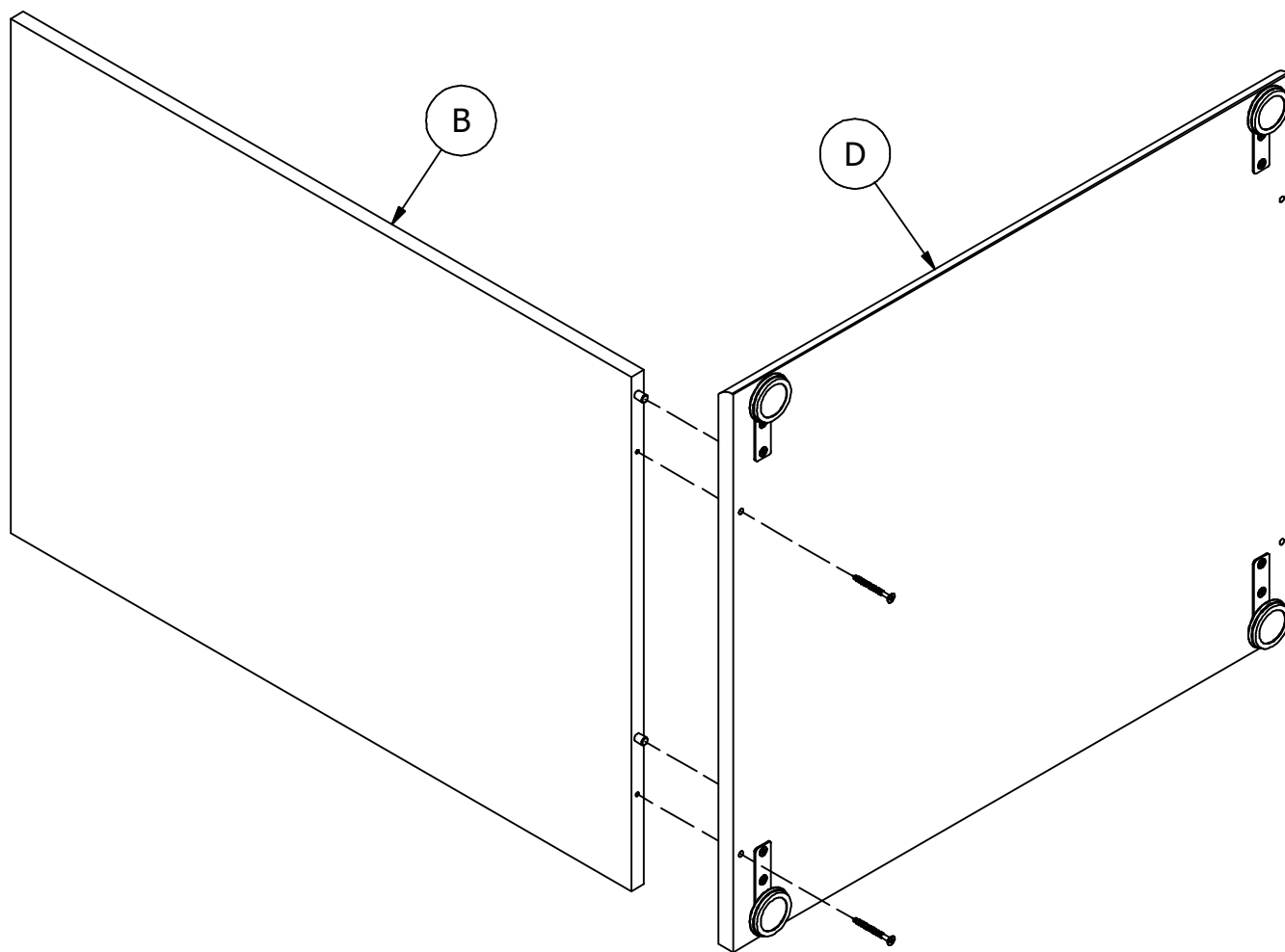
Have an assembly question or need a replacement part? Just call
1-800-950-4782, we are here to help.



H23491
(Black)



[2]



Have an assembly question or need a replacement part? Just call
1-800-950-4782, we are here to help.

STEP 16


Prepare Panel


A195500

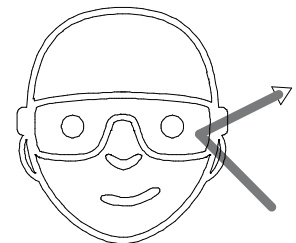
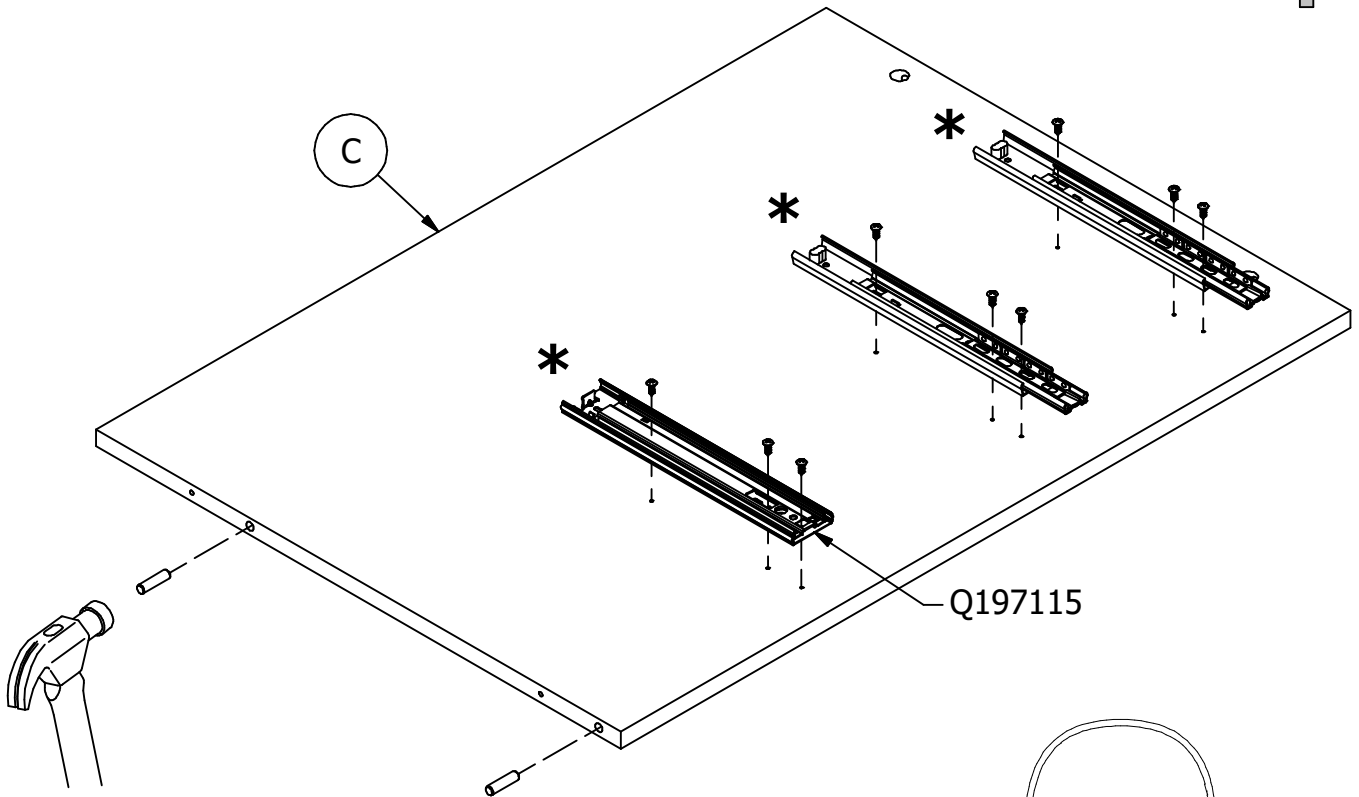
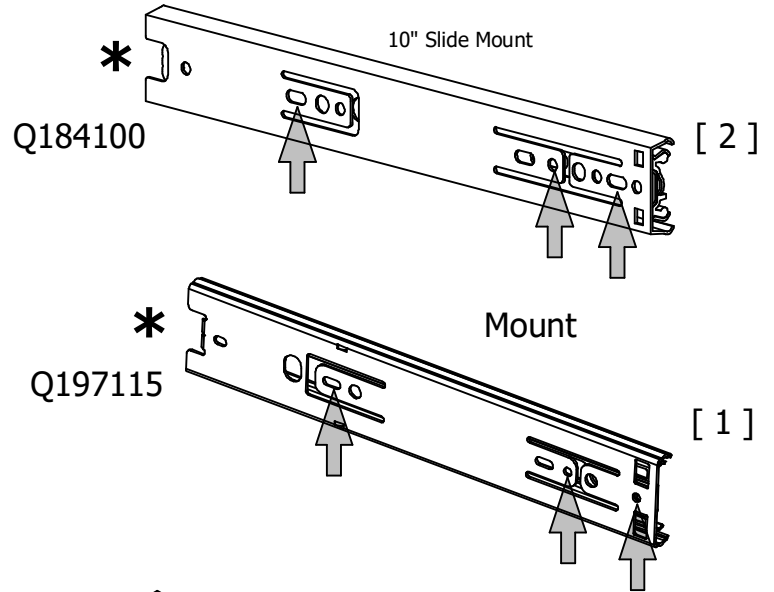
Scan QR Code to Watch Video on:



How to Separate and Install Drawer Slides

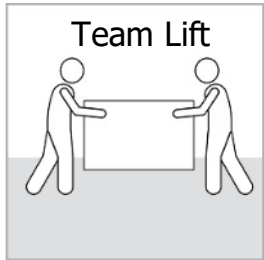
H192100  [9]
#8 x 1/2"

H38169  [2]
Wood Dowel 8 x 30

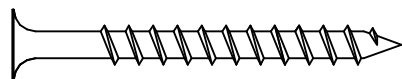


Safety glasses
Gafas de seguridad
Lunettes de protection

Have an assembly question or need a replacement part? Just call **1-800-950-4782**, we are here to help.

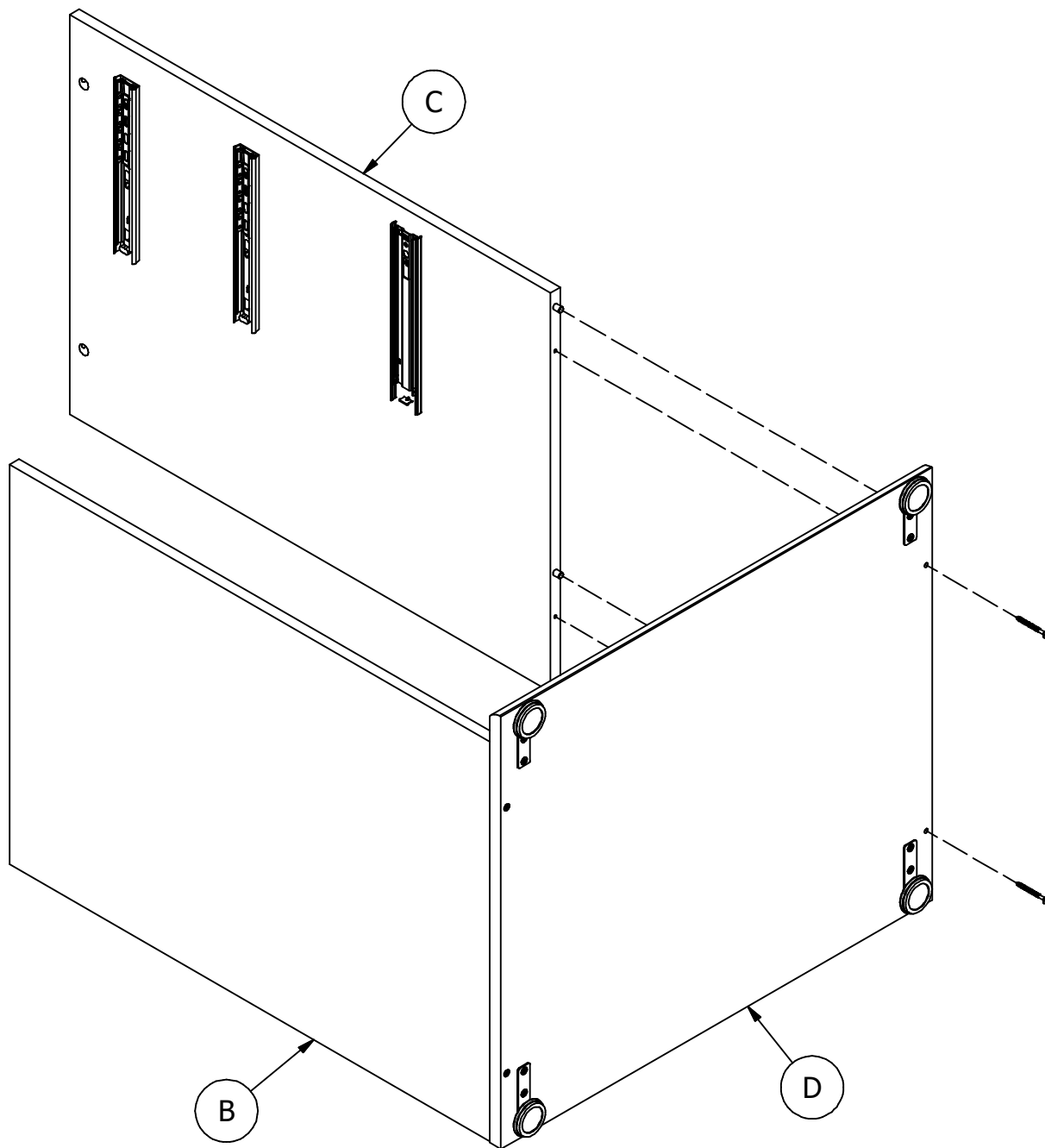


H23491
(Black)



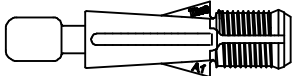
[2]

#10 x 2"



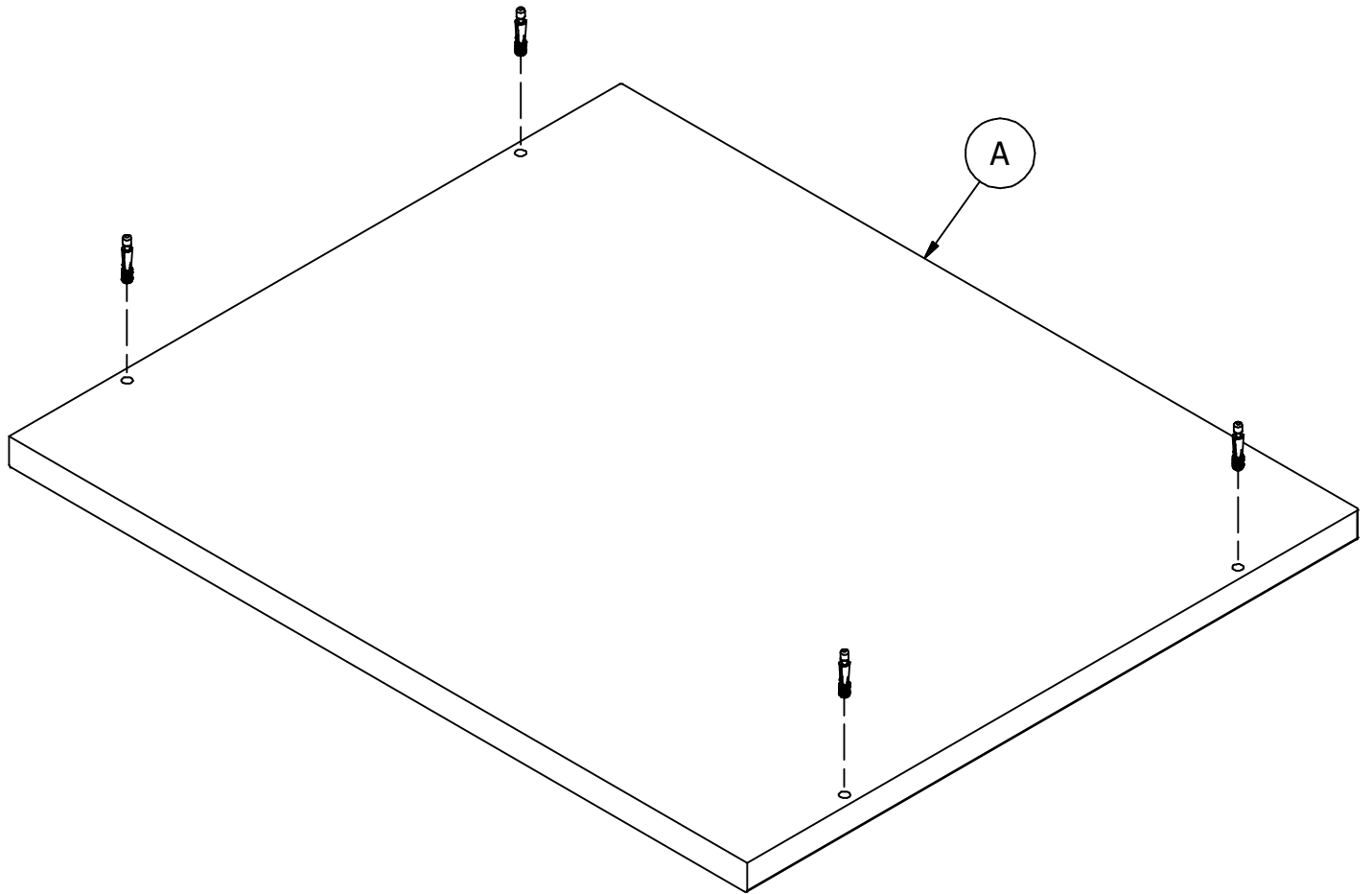
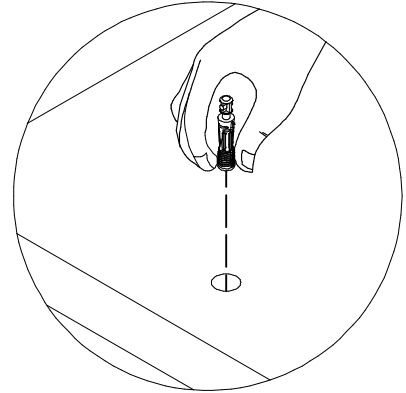
Have an assembly question or need a replacement part? Just call
1-800-950-4782, we are here to help.

H171556



Quickfit TL4

[4]



Have an assembly question or need a replacement part? Just call **1-800-950-4782**, we are here to help.

STEP 19

Attach Panel

A195500

Scan QR Code to Watch Video on:

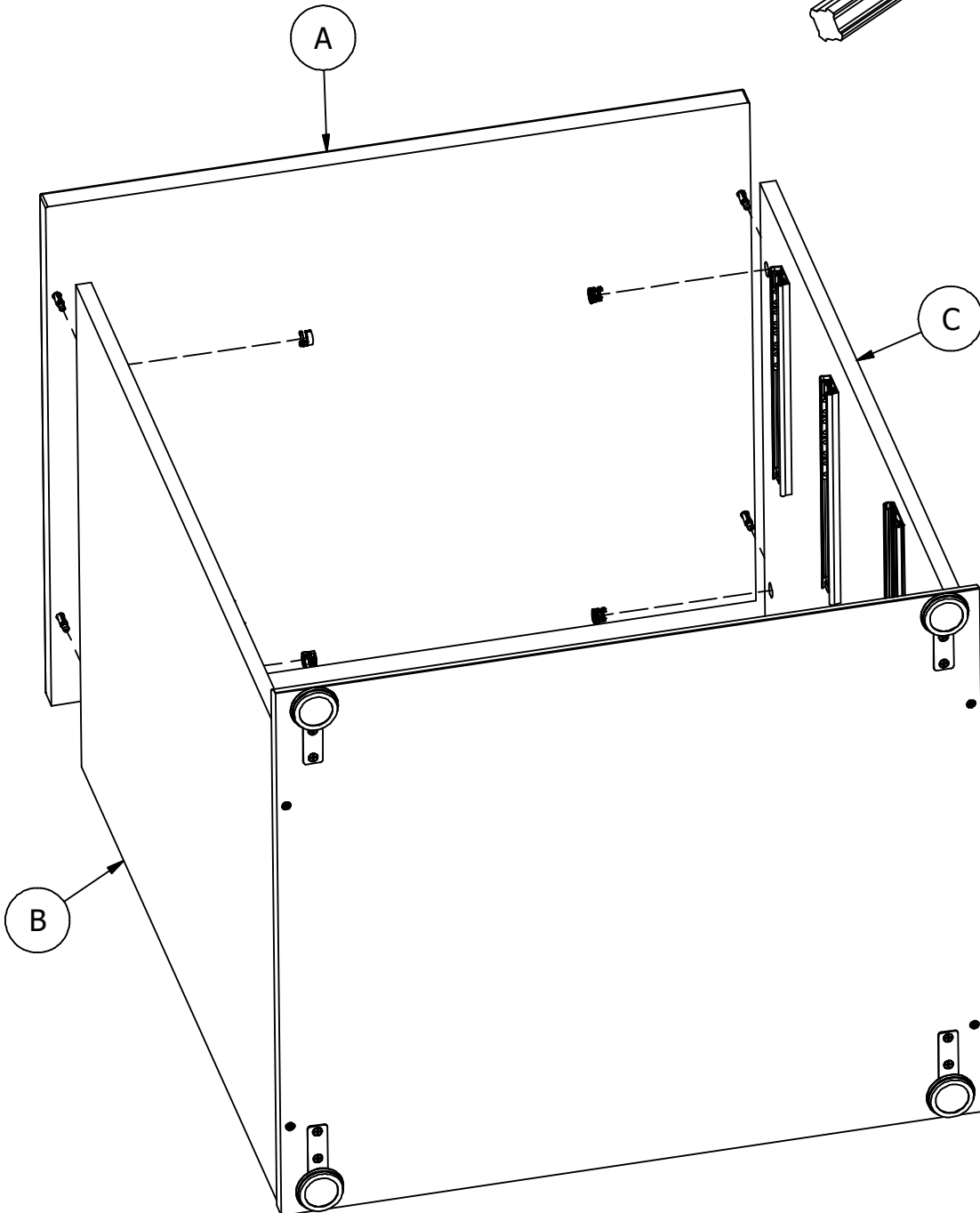
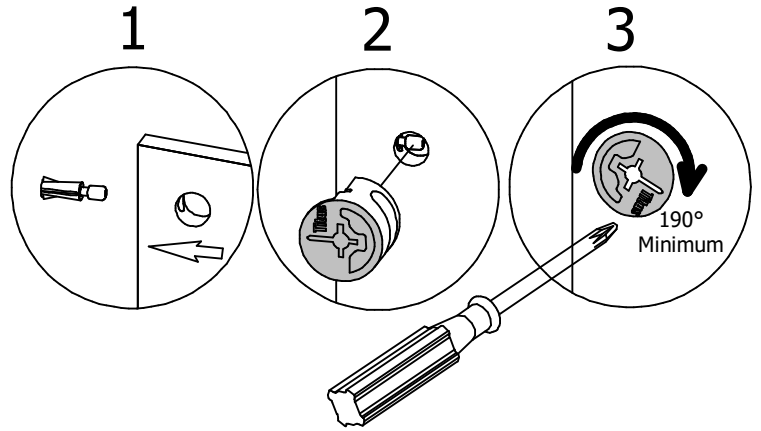


How to Tighten KD Cams

H181468US



[4]

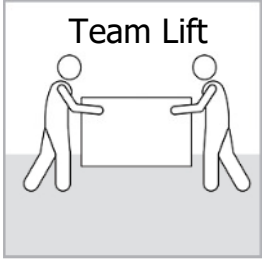


Have an assembly question or need a replacement part? Just call **1-800-950-4782**, we are here to help.

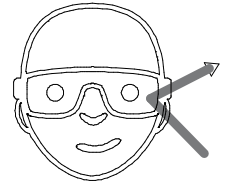
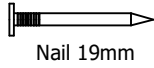
STEP 20

Attach Panel

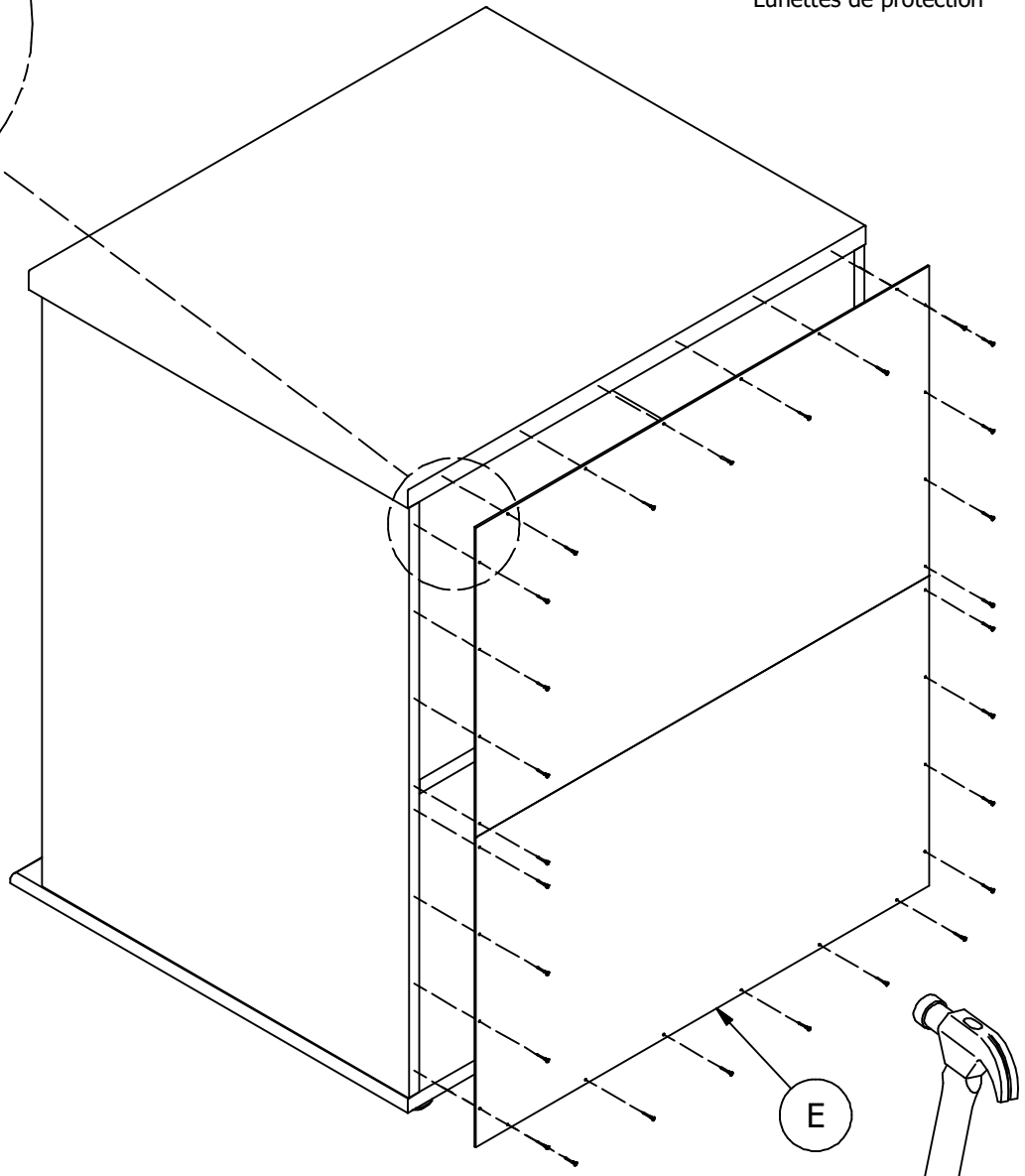
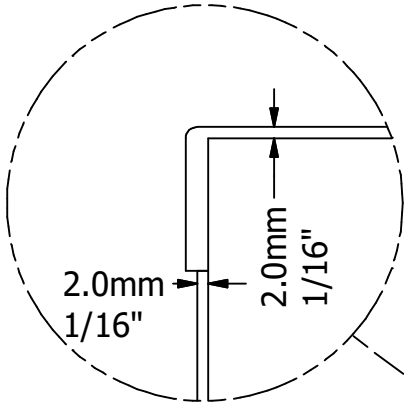
A195500



H34174 [28]
Nail 19mm



Safety glasses
Gafas de seguridad
Lunettes de protection



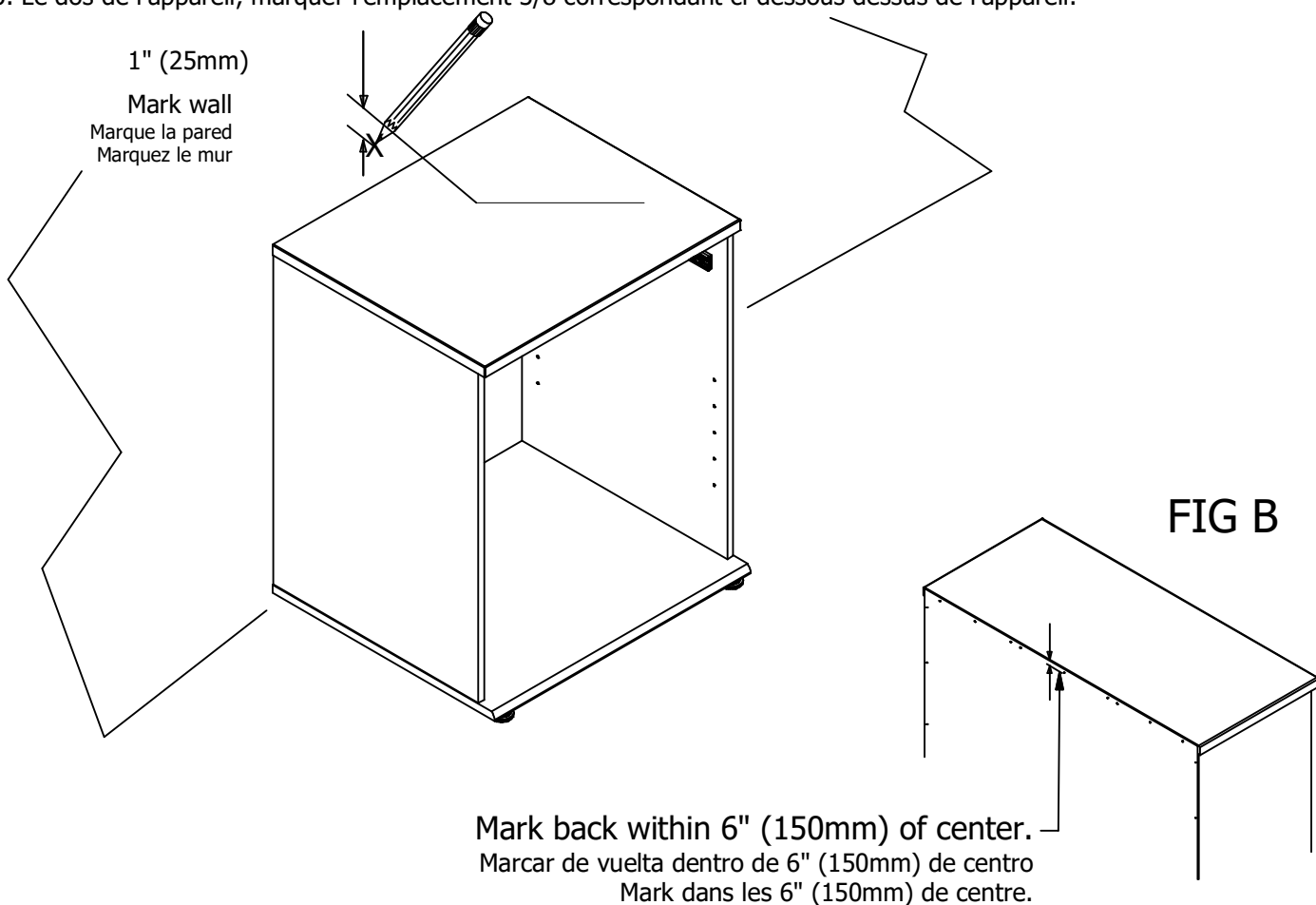
Have an assembly question or need a replacement part? Just call
1-800-950-4782, we are here to help.

Secure unit to the wall with a tip-over restraint.
 Unidad de seguro a la pared con un sistema de retención de un vuelco.
 Fixer l'unité au mur avec un dispositif de retenue renversement.

1. Place unit in desired location.
2. Locate wall stud nearest unit center. **FIG A**
3. On wall, mark center of stud location 1" below top of unit. **FIG A**
4. If a wall stud cannot be located mark hollow wall at unit center. **FIG A**
5. On back of unit, mark corresponding location 3/8" below top of unit. **FIG B**

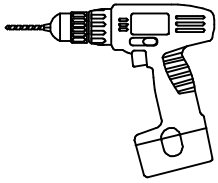
1. Coloque la unidad en el lugar deseado.
2. Localice pie derecho de pared centro de unidad más próxima.
3. En la pared del, marque el centro de la ubicación del montante 1 "abajo la parte superior de la unidad.
4. Si un poste de la pared no se puede localizar marcar pared hueca en el centro de la unidad.
5. En el dorso de la unidad, marque la ubicación 3/8 correspondiente abajo la parte superior de la unidad.

1. Placez l'unité à l'endroit désiré.
2. Localiser centre d'unité la plus proche de la paroi Stud.
3. Sur le mur, centre de emplacement du montant 1 "ci-dessous dessus de l'appareil de la marque.
4. Si un montant de mur ne peut pas être situé marquer mur creux au centre de l'unité.
5. Le dos de l'appareil, marquer l'emplacement 3/8 correspondant ci-dessous dessus de l'appareil.



Have an assembly question or need a replacement part? Just call
1-800-950-4782, we are here to help.

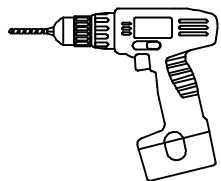
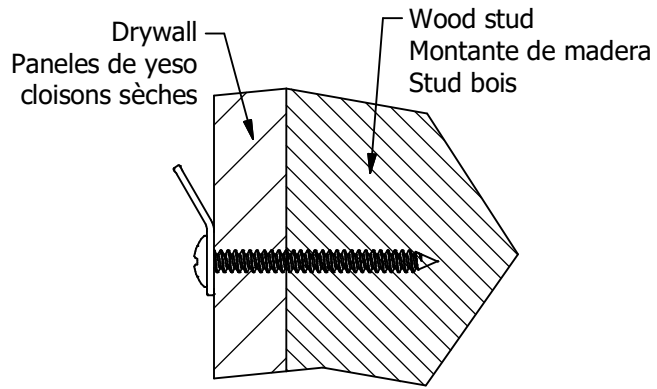
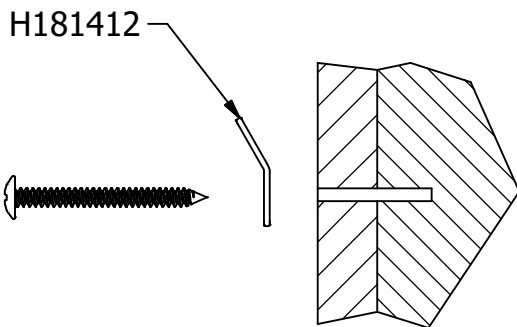
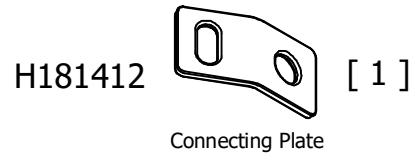
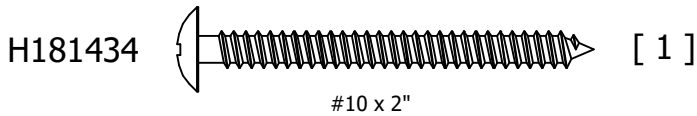
WALL STUD ATTACHMENT



Drill 1/8" hole 2" deep at mark on wall.

Taladro 1/8 "agujero 2" de profundidad en la marca en la pared.

Percer 1/8 "trou de 2" de profondeur à la marque sur le mur.

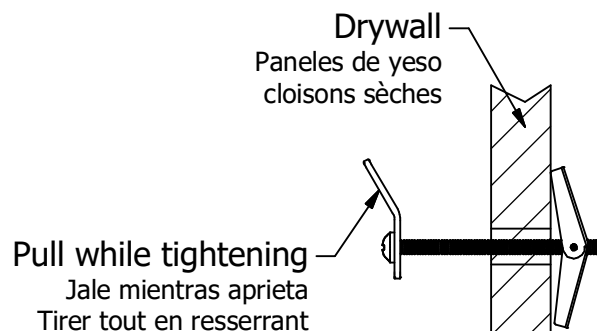
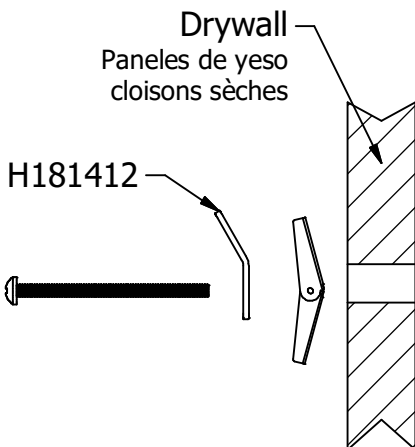
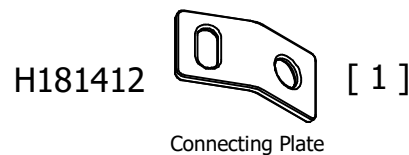
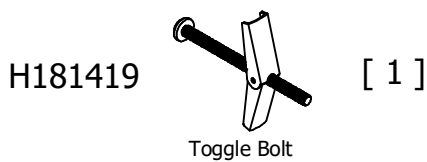


HOLLOW WALL ATTACHMENT

Drill 1/2" hole 1" deep at mark on wall.

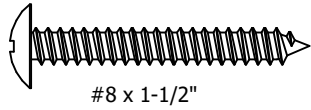
Taladro 1/2 "agujero 1" de profundidad en la marca en la pared.

Percer 1/2 "trou de 1" de profondeur à la marque sur le mur.



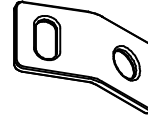
Have an assembly question or need a replacement part? Just call
1-800-950-4782, we are here to help.

H107572



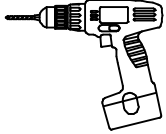
[1]

H181412

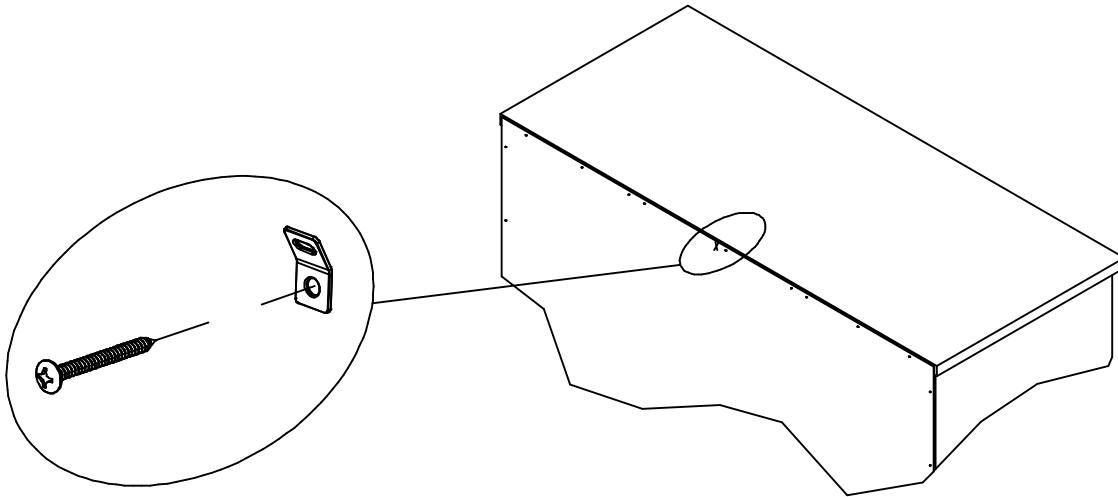


[1]

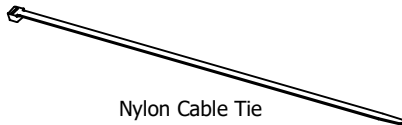
Connecting Plate



Drill 1/8" hole 1" deep at mark on unit.
 Taladro 1/8 "agujero de 1" de profundidad en la marca de la unidad.
 Percer 1/8 "trou 1" de profondeur à la marque sur l'unité.

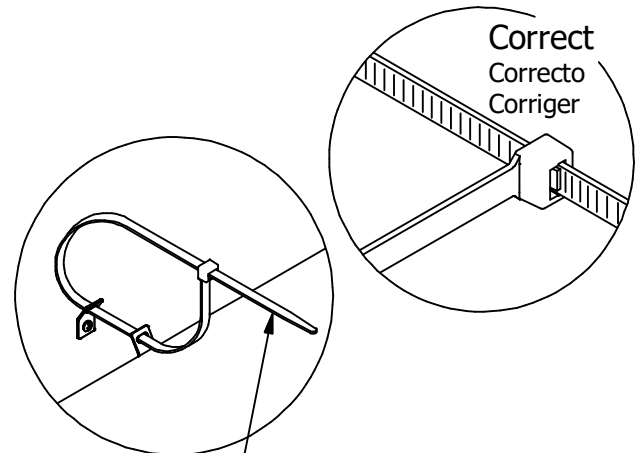
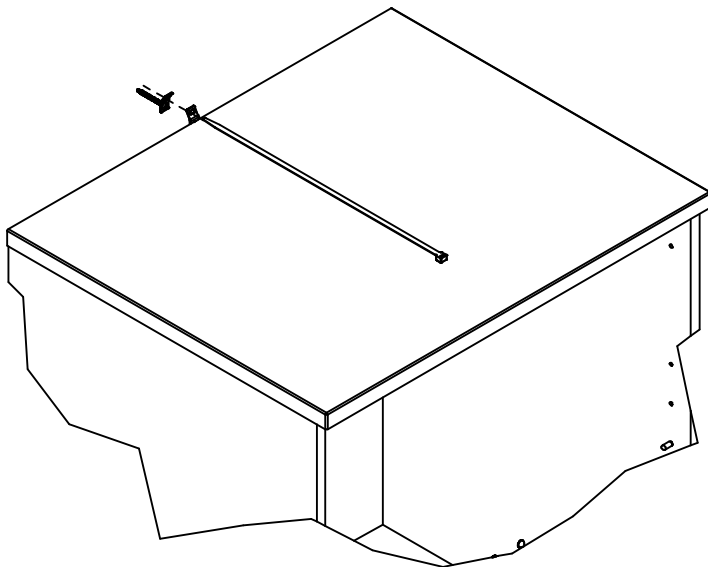


H181411



Nylon Cable Tie

[1]



Pull to verify lock
 Tire para verificar cerradura
 Tirez pour vérifier serrure

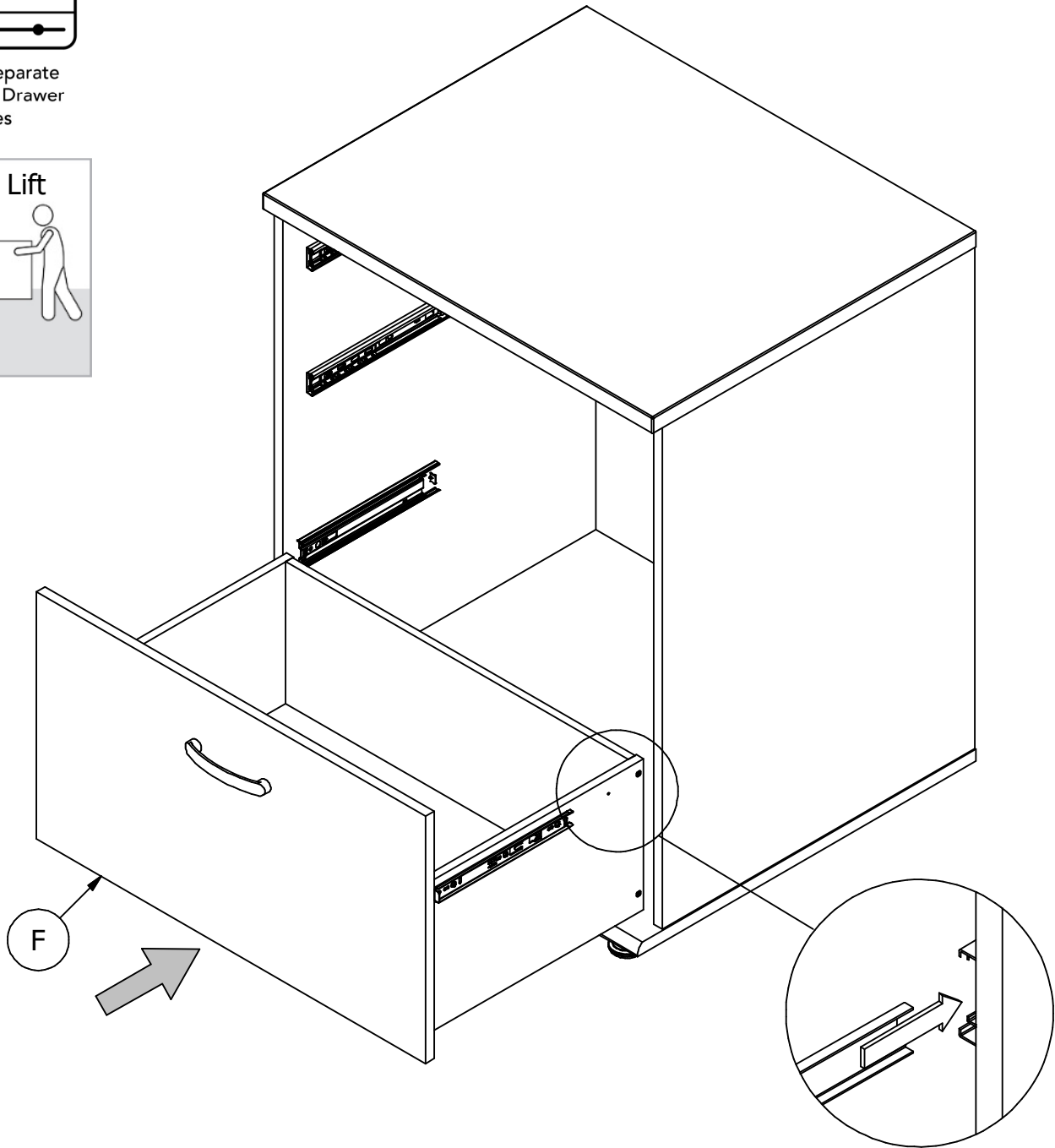
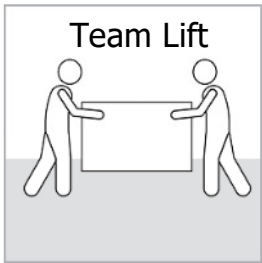
Use replacement cable tie with minimum breaking strength of 120lbs.
 Utilice reemplazo empate Cable con resistencia a la rotura mínima de 120 libras.
 Utilisez remplacement Attache de câble avec une force de rupture minimale de 120 lbs.

Have an assembly question or need a replacement part? Just call
1-800-950-4782, we are here to help.

Scan QR Code to Watch Video on:



How to Separate and Install Drawer Slides

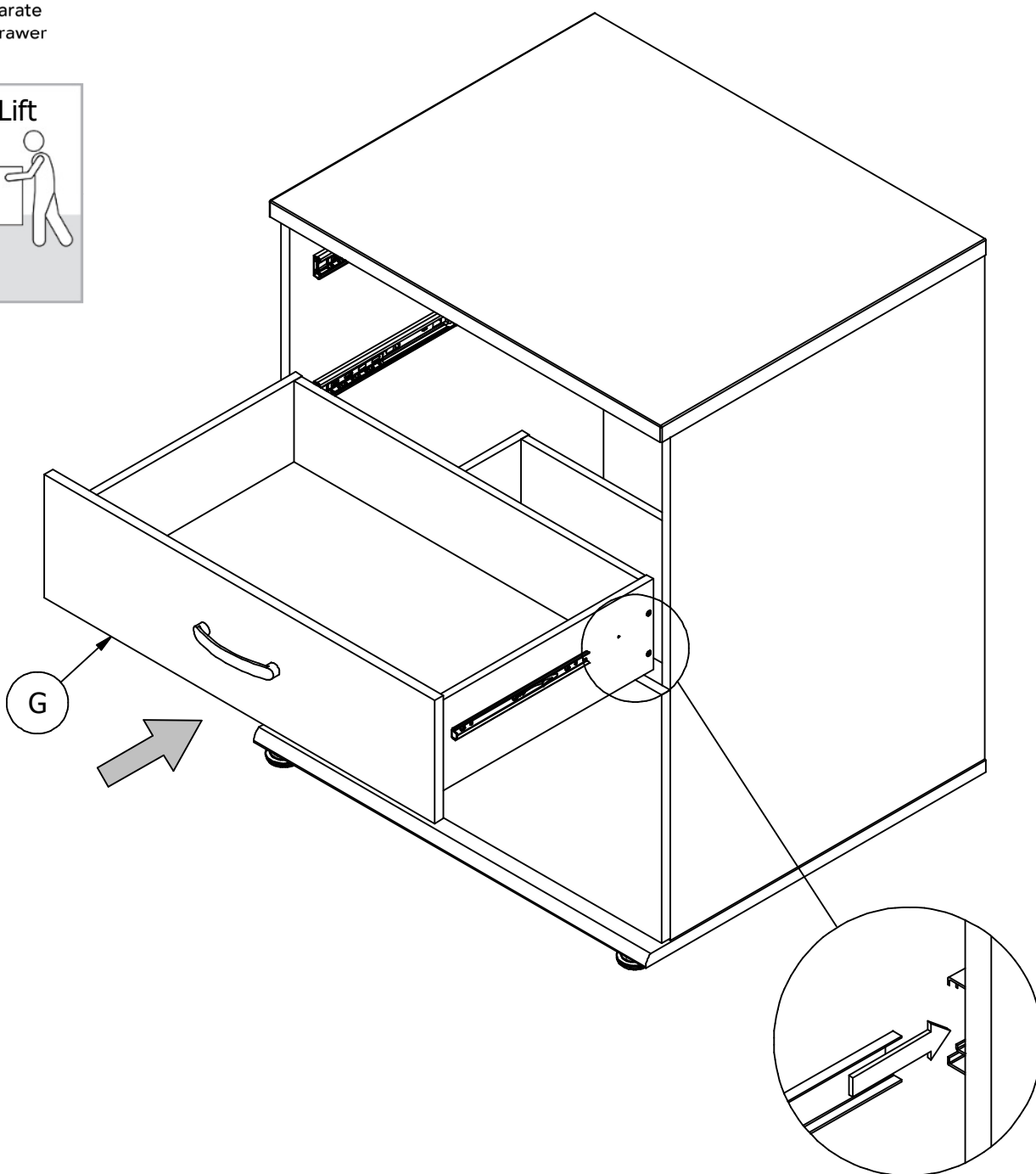
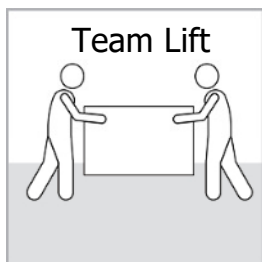


Have an assembly question or need a replacement part? Just call **1-800-950-4782**, we are here to help.

Scan QR Code to Watch Video on:



How to Separate and Install Drawer Slides

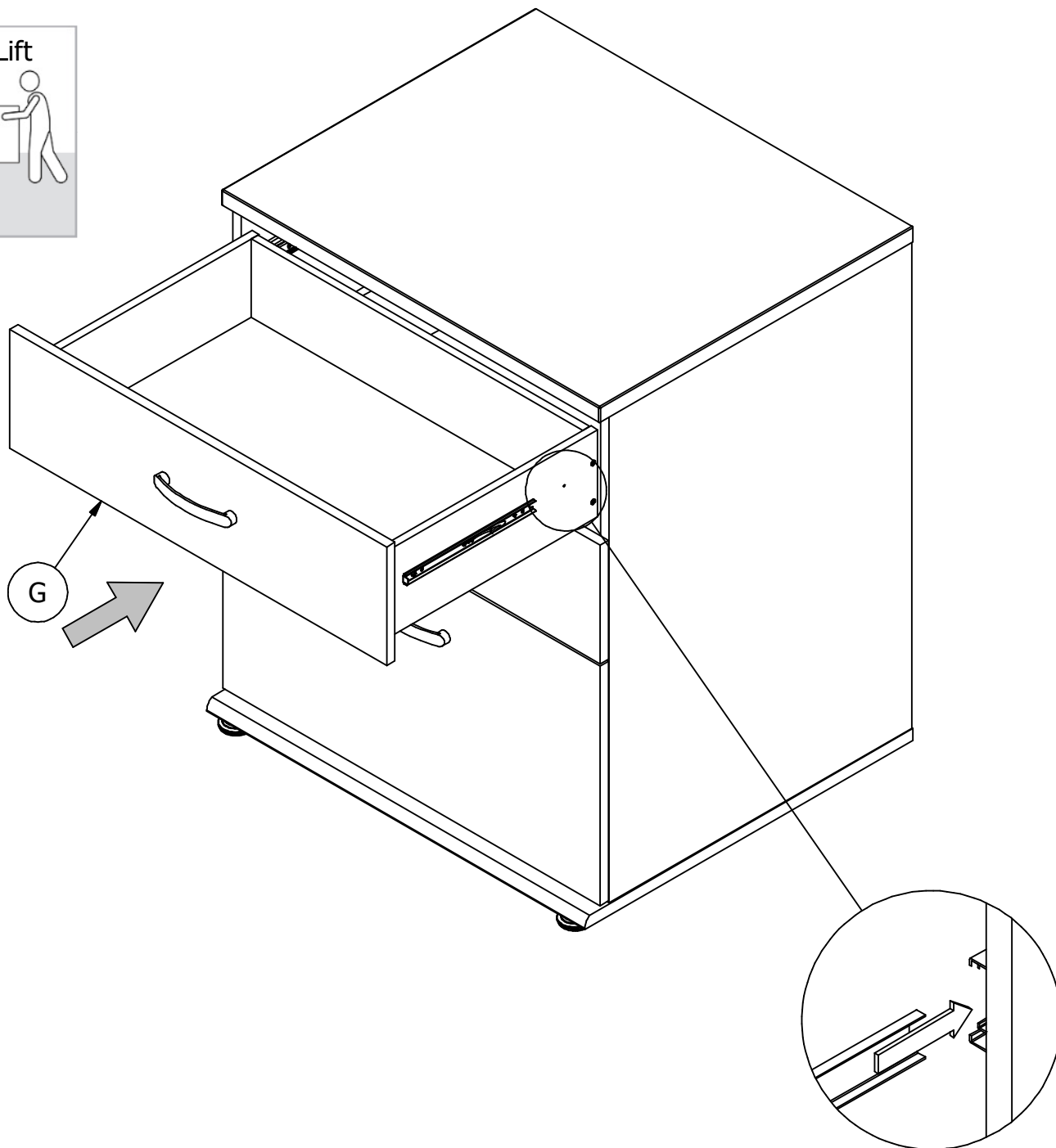
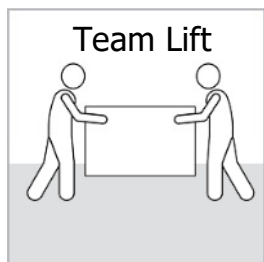


Have an assembly question or need a replacement part? Just call **1-800-950-4782**, we are here to help.

Scan QR Code to Watch Video on:



How to Separate and Install Drawer Slides



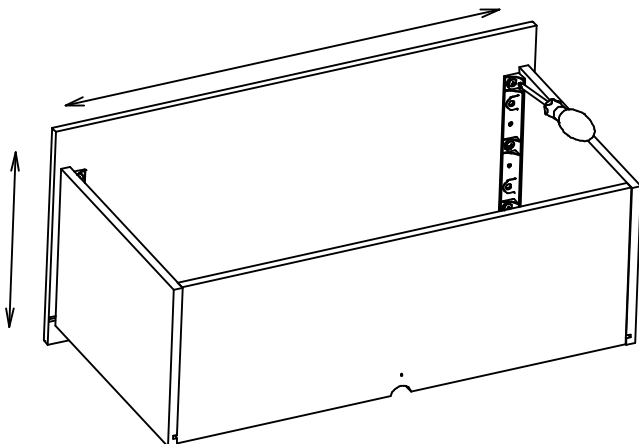
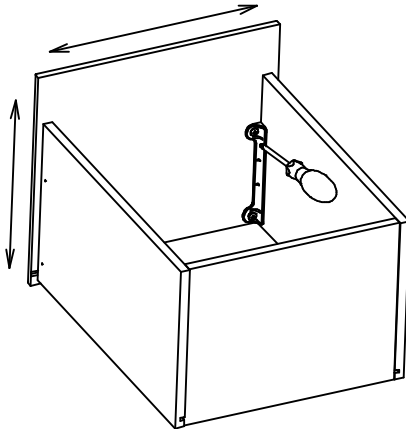
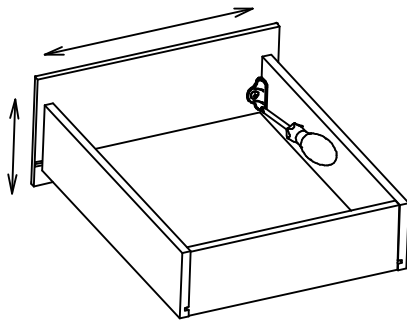
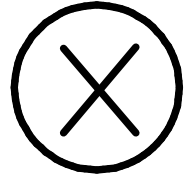
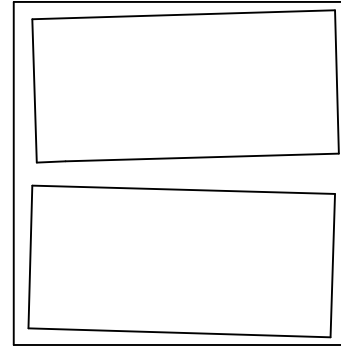
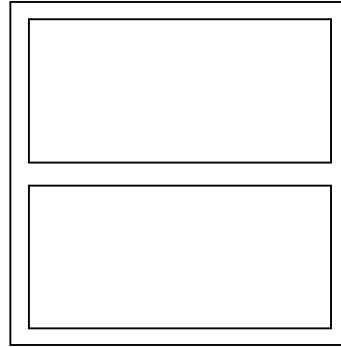
Have an assembly question or need a replacement part? Just call **1-800-950-4782**, we are here to help.

Scan QR Code to Watch Video on:



How to Adjust Drawer Fronts

DRAWER FRONT VIEW



REQUIRED TOOL: PHILLIPS SCREWDRIVER

HERRAMIENTA REQUERIDA: DESTORNILLADOR PHILLIPS
 OUTIL REQUIS: TOURNEVIS CRUCIFORME



1. LOOSEN SCREWS.
2. ADJUST DRAWER FRONTS.
3. TIGHTEN SCREWS.

1. Afloje los tornillos
2. Ajustar frentes de cajón
3. Apriete los tornillos

1. Desserrer les vis
2. Ajuster les façades des tiroirs
3. Serrer les vis

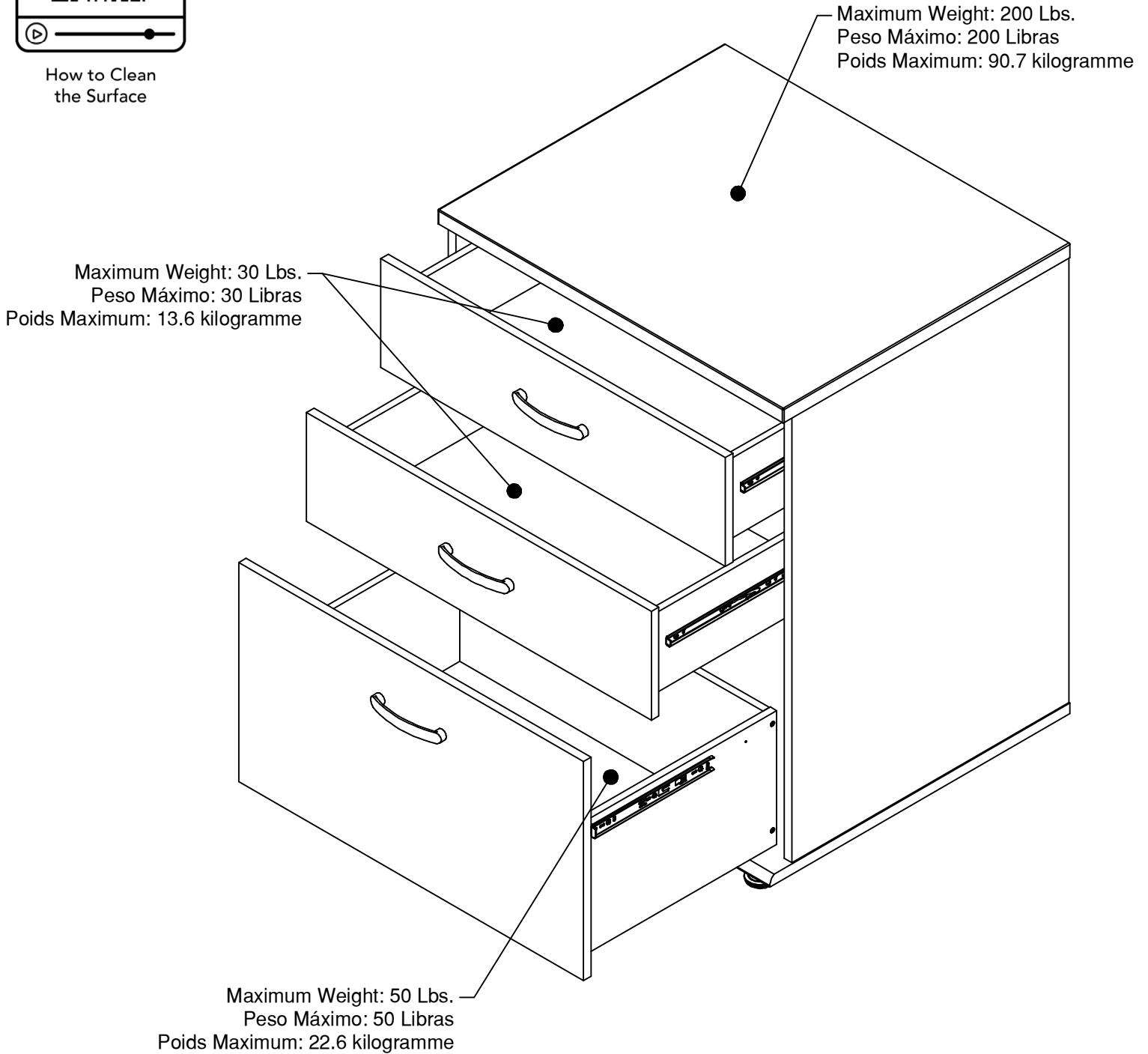
Have an assembly question or need a replacement part? Just call **1-800-950-4782**, we are here to help.

Scan QR Code to Watch Video on:



How to Clean the Surface

Gently clean surfaces with a damp sponge eraser.



Congratulations! You are all done. If you have any questions or concerns, please call.

Have an assembly question or need a replacement part? Just call **1-800-950-4782**, we are here to help.

UNS328SG

A [1] W195501
B [1] W195502
C [1] W195503
D [1] W195504
E [1] W195505
F [1] W206081
G [2] W206082
H [2] W195509
J [3] W195510
K [4] W195508
L [2] W195511
M [1] W195512

UNS328WH

A [1] W195513
B [1] W195514
C [1] W195515
D [1] W195516
E [1] W195517
F [1] W206083
G [2] W206084
H [2] W195509
J [3] W195510
K [4] W195508
L [2] W195511
M [1] W195512

UNS328PG

A [1] W203309
B [1] W203321
C [1] W203322
D [1] W203312
E [1] W203313
F [1] W206085
G [2] W206086
H [2] W195509
J [3] W195510
K [4] W195508
L [2] W195511
M [1] W195512

Scan QR Code to
Watch Video on:

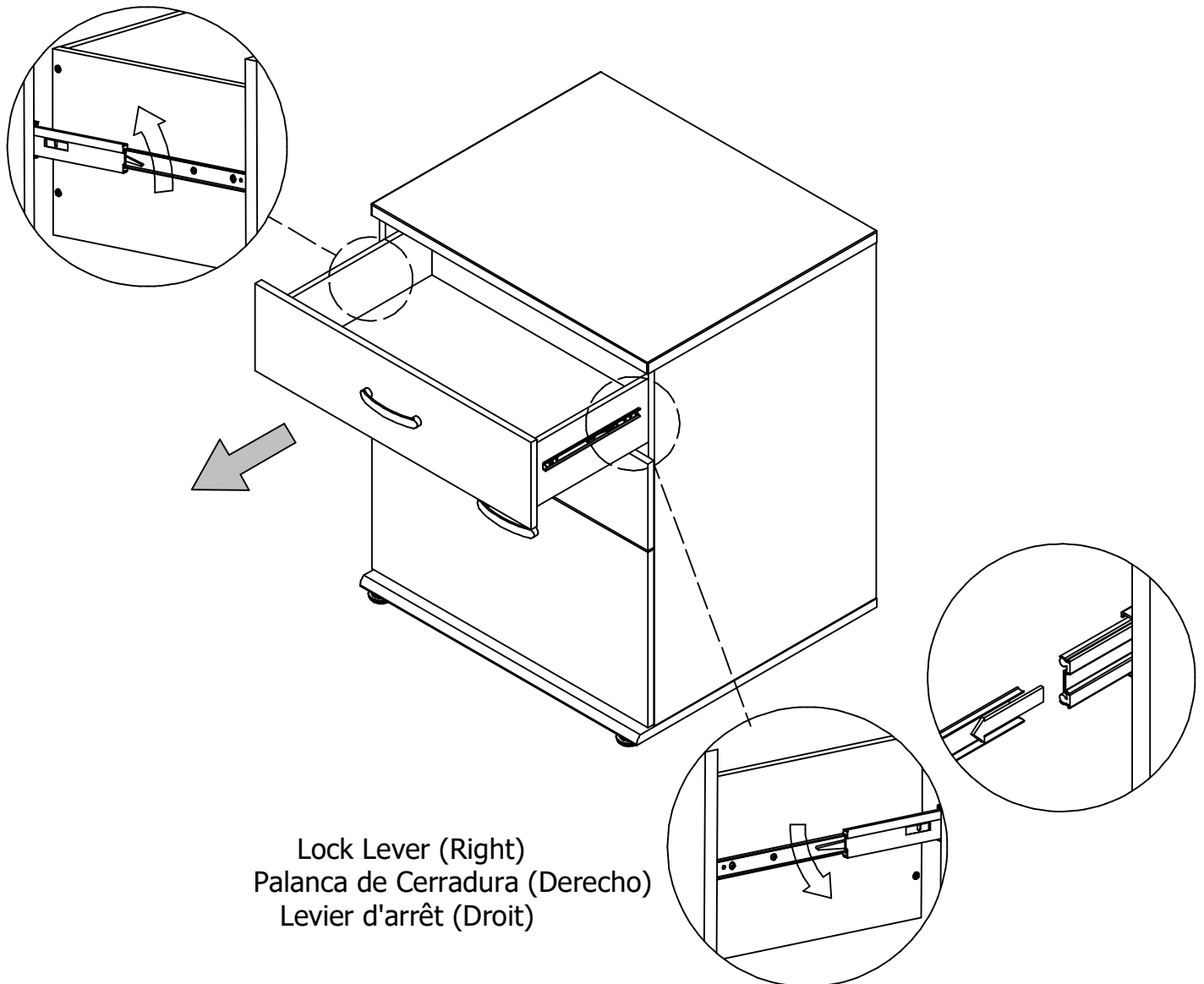


How to Separate
and Install Drawer
Slides

Drawer Removal (if required)
Quitado de Gaveta (si es necesario)
retrait du tiroir (si nécessaire)

Lock Lever (Left)
Palanca de Cerradura (Izquierdo)
Levier d'arrêt (Gauche)

For left side push lock lever up and pull-out drawer.
Para deslizable izquierdo, empuje la palanca de cerra hacia arriba y tapa del gaveta.
Pour la coulisse gauche placez le verrou vers le haut et dessus du tiroir.



Lock Lever (Right)
Palanca de Cerradura (Derecho)
Levier d'arrêt (Droit)

For right side push lock lever down and pull-out drawer.
Para deslizable derecho, empuje la palanca de cerrar hacia abajo y tapa del gaveta.
Pour la coulisse droite placez le verrou vers le bas et dessus du tiroir.

Have an assembly question or need a replacement part? Just call
1-800-950-4782, we are here to help.