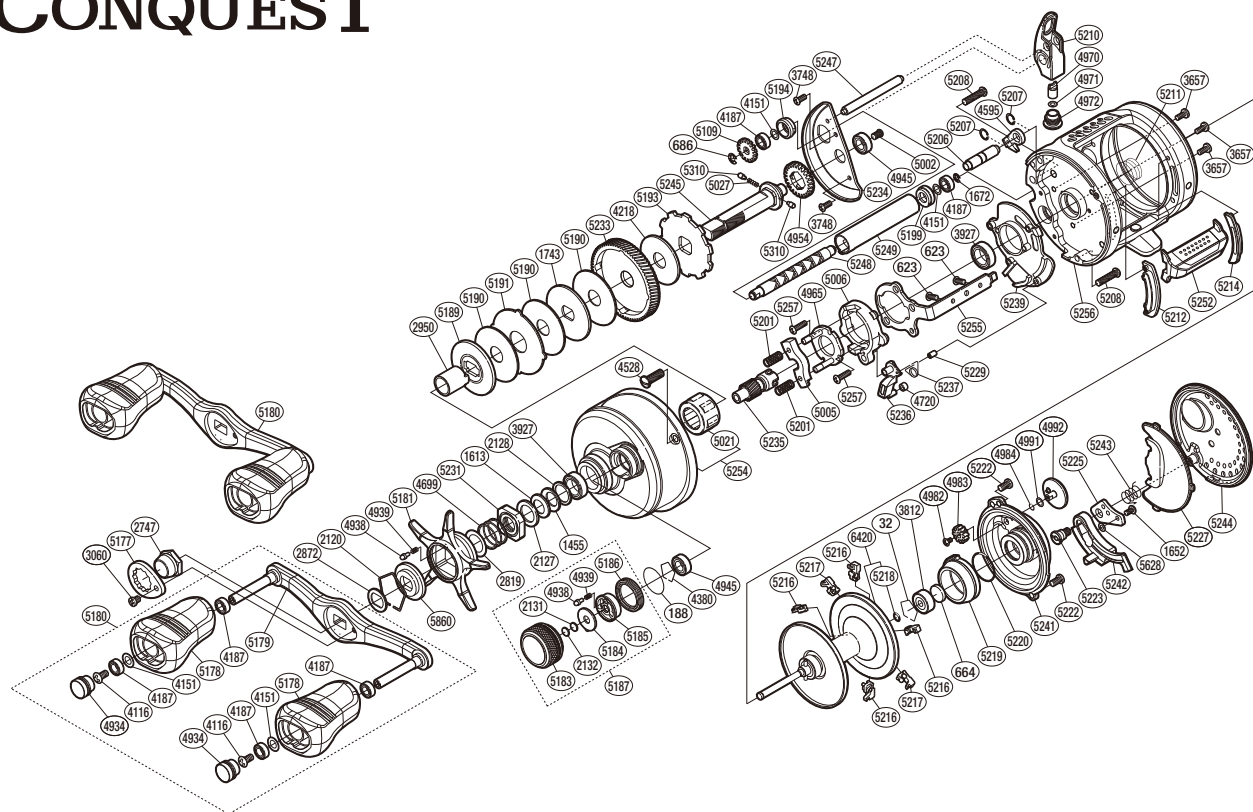


SHIMANO

CALCUTTA CONQUEST

CTCQ-401US



(51RH820401U)

#	Part No.	Description	#	Part No.	Description	#	Part No.	Description
32	10GEW	Bearing Retainer	4965	10F3Y	Clutch Cam Retainer	5214	10ASN	Clutch Bar Guide (A)
188	109EB	O Ring	4970	10FFT	Line Guide Pawl	5216	1046K	Brake Shoe M
623	103C0	Screw	4971	10GFH	Washer	5217	1046J	Brake Shoe L
664	1057S	Spacer B	4972	10FJC	Pawl Cap	5218	10EZ7	O Ring
686	105NK	E Lock	4982	10PRT	Screw	5219	10EXS	Brake Pipe Gear
1455	1052E	Drag Spring Washer (H)	4983	10BGM	Br Dial Gear	5220	10EYV	O Ring
1613	10EW3	Drag Spring Washer (L)	4984	10FMT	O Ring	5222	10LSL	Screw
1652	10LVE	Screw	4991	10HYU	Washer	5223	10GM6	B Side Plate Insert
1672	105NC	E Lock	4992	10EV4	Br Dial	5225	10AYX	Damper Bush
1743	10LBC	Key Washer	5002	10PVU	Screw	5227	104MM	B Side Plate Seal
2120	10KXV	Click Plate Retainer	5005	1046Y	Yoke	5229	108S5	Clutch Pawl Spring Collar
2127	10J1N	Star Drag Spacer	5006	10K0Y	Clutch Cam	5231	10A3W	Star Drag Nut
2128	105PW	Bearing Washer	5021	10F33	Roller Clutch Bearing	5233	10CNS	Drive Gear
2131	10897	Spool Tension Spacer (B)	5027	10JDZ	Idle Gear Spring	5234	109SY	Drive Shaft Retainer
2132	1085G	Spool Tension Spacer (A)	5109	10FNX	Idle Gear	5235	10CS5	Pinion Gear
2747	10FNG	Handle Nut	5177	10Q66	Handle Nut Plate	5236	105ZN	Clutch Pawl
2819	10HHN	Washer	5178	10326	Handle Knob	5237	104CK	Clutch Pawl Spring
2872	107Q6	Friction Washer	5179	10A69	Handle Shank Assembly	5239	10BVT	Clutch Guard
2950	10BN6	Roller Clutch Inner Tube	5180	10BLV	Handle Assembly	5241	10FXJ	Brake Case
3060	10CZ5	Screw	5181	10AU2	Star Drag	5242	10BAT	Side Plate Cam Lever
3657	103C2	Screw	5183	10KDP	Cast Control Cap	5243	10KNB	Damper Spring
3748	10MPP	Screw	5184	10L2E	Cast Control Click Plate	5244	10DOJ	Right Side Plate
3812	105C1	Ball Bearing	5185	10BSX	Click Pin Holder	5245	10TUR	Drive Shaft
3927	10EX8	Ball Bearing	5186	10L70	Cast Control Click Holder	5247	10GUH	Level Wind Guide
4116	103E9	Screw	5187	10HWD	Cast Control Cap Assembly	5248	104ZF	Worm Shaft
4151	10G8D	Washer	5189	10D3J	Pressure Plate	5249	10NFV	Level Wind Guard
4187	104VX	Ball Bearing	5190	1071Z	Drag Washer	5252	10MWJ	Quick-Fire II Clutch Bar
4218	10D31	Drag Washer	5191	10LB7	Eared Washer	5254	10H2T	Left Side Plate
4380	1057X	Retainer	5193	10D71	Anti-Reverse Ratchet	5255	10QLE	Clutch Plate
4528	10A6X	Screw	5194	10N9Q	Worm Bushing A	5256	10EVP	One-Piece Frame
4595	10MW1	Anti-Reverse Pawl	5199	104SP	Worm Bushing B	5257	10TP0	Screw
4699	10A71	Star Drag Spring	5201	104BC	Yoke Spring	5310	10HJG	Idle Gear Pin
4720	1048C	Clutch Pawl Bushing	5206	10QD1	Anti-Reverse Pawl Pin	5628	10280	Washer
4934	10FMG	Handle Knob Seal	5207	10S52	C Lock	5860	10J26	Star Drag Click Plate
4938	10B27	Click Pin	5208	103M0	Screw	6420	101UZ	Spool Assembly(With Bearing)
4939	10988	Click Spring	5210	10NYG	Line Guide			
4945	105BR	Ball Bearing	5211	10EZE	Bearing Pressure Spring			
4954	10J6W	Idle Gear	5212	10972	Clutch Bar Guide (B)	4692	10LQ0	B-100 Oil (Accessory)

Please note that the number of adjusting washers may not be the same as shown in the exploded views.
(Adjustment will vary with each individual product.)

(241204)_004