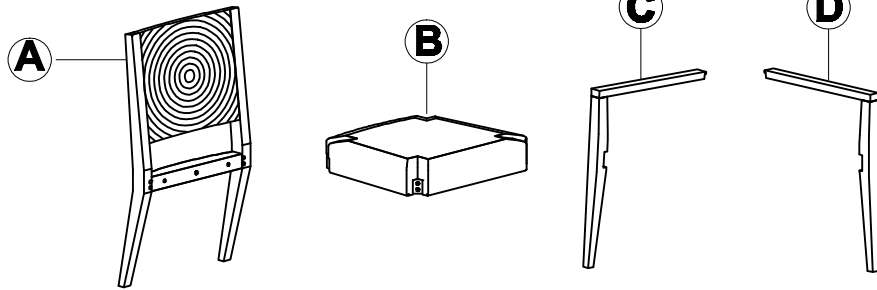


# OAKLAND WOOD ARM CHAIR ASSEMBLY INSTRUCTIONS



## PARTS PACKING CONFIGURATIONS

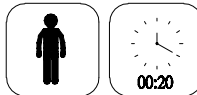
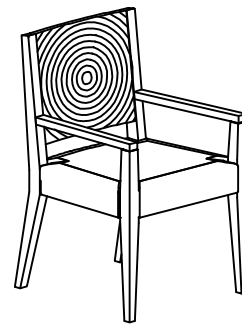
- A. CHAIR BACK 1 PC
- B. SEAT CUSHION 1 PC
- C. LEFT CHAIR LEG 1 PC
- D. RIGHT CHAIR LEG 1 PC



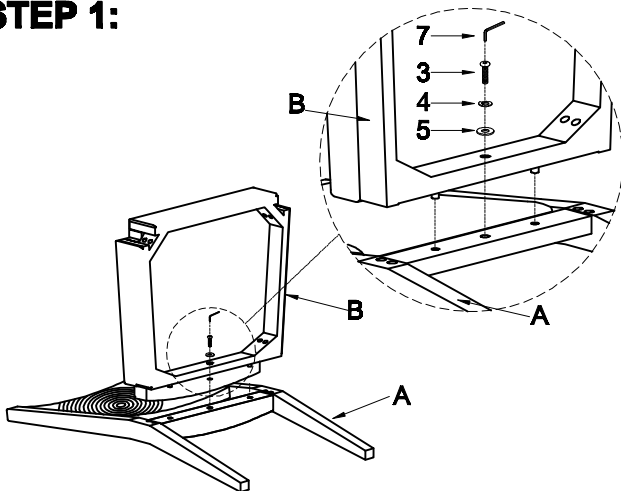
### HARDWARE ENCLOSED IN CARTON

No	Description	Photo	Quantity
1	ALLEN BOLT (5/16 x 2)		4PCS
2	ALLEN BOLT (5/16 x 3)		4PCS
3	ALLEN BOLT (5/16 x 1-3/4)		1PC
4	LOCK WASHER (5/16)		9PCS
5	FLAT WASHER (5/16)		9PCS
6	SCREW (8*-1-1/2)		2PCS
7	ALLEN KEY		1PC

### OAKLAND WOOD ARM CHAIR FULLY ASSEMBLED

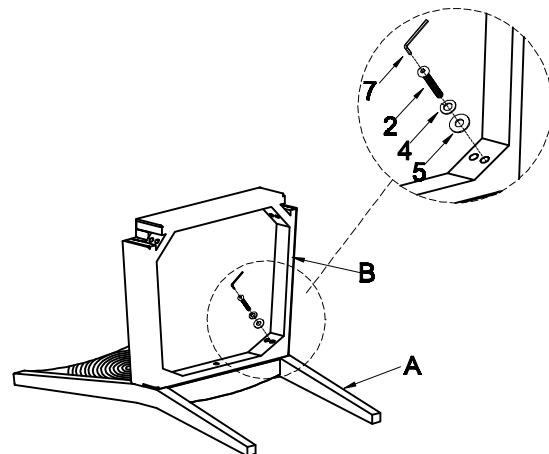


### STEP 1:



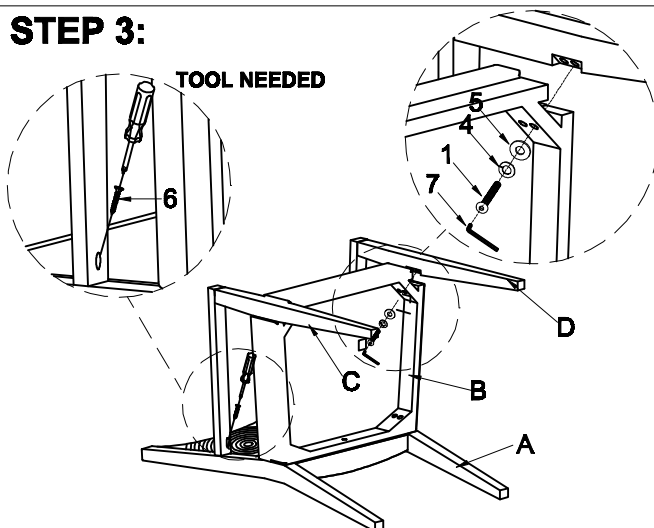
DO NOT TIGHTEN BOLTS COMPLETELY

### STEP 2:



DO NOT TIGHTEN BOLTS COMPLETELY

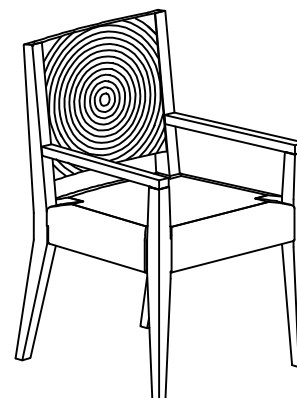
### STEP 3:



DO NOT TIGHTEN BOLTS COMPLETELY

### STEP 4:

ON A FLAT, LEVEL SURFACE PLACE THE CHAIR UPRIGHT. WHEN CHAIR IS LEVELED, PLEASE TIGHTEN ALL ASSEMBLY BOLTS WITH PROVIDED ALLEN KEY.



FULLY ASSEMBLED