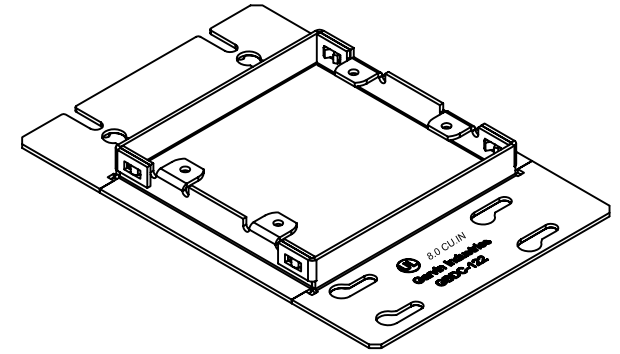
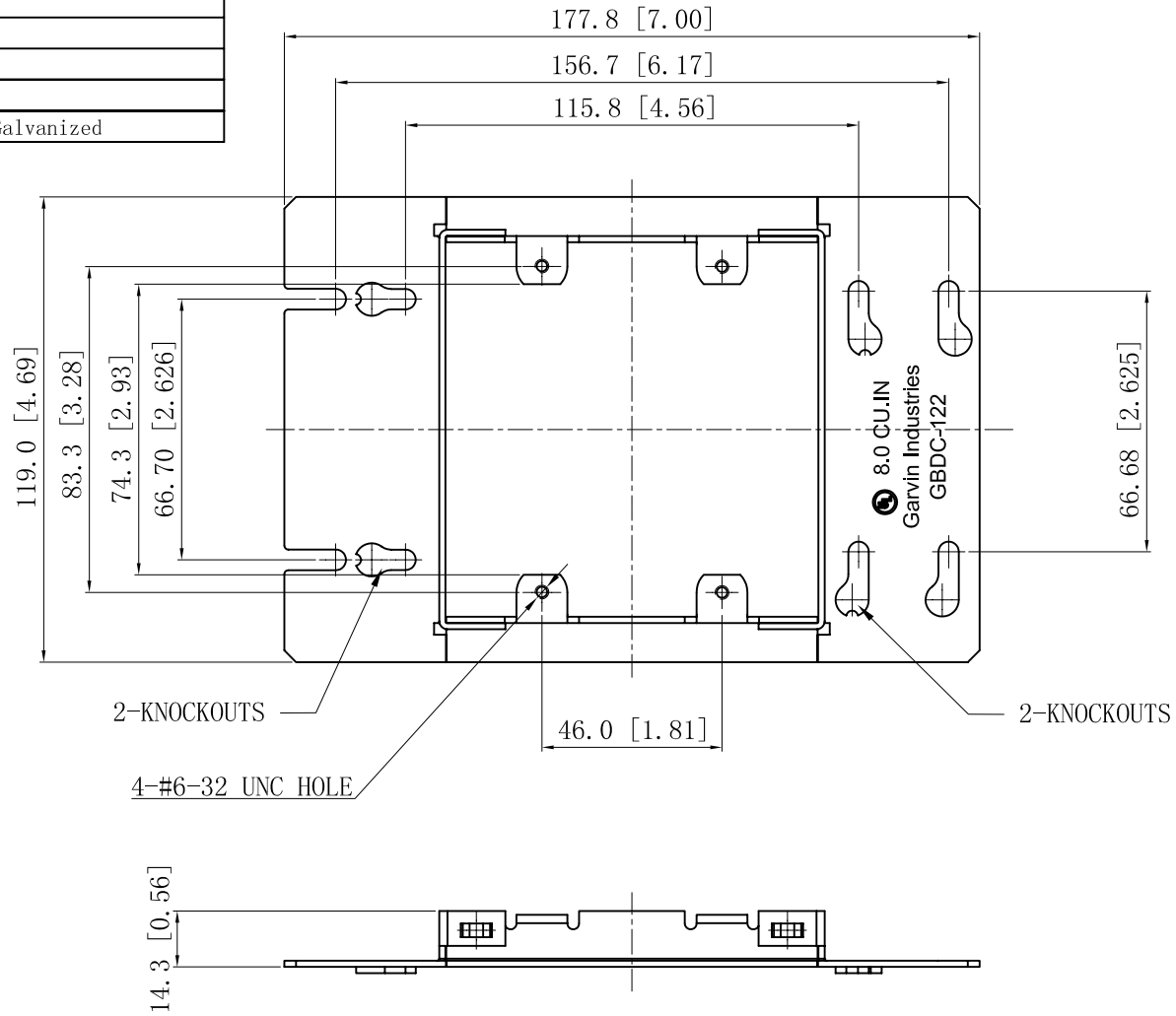


|  |        |
|--|--------|
| SIDES                                  | BOTTOM |
|  |        |
|  |        |
|  |        |
| Material: Steel-0.0625"-G60 Galvanized |        |



This data sheet is for reference only .GARVIN INDUSTRIES reserves the right to make changes to the design without prior notice.

|                       |
|-----------------------|
| DESCRIPTION           |
|                       |
| TRADE REFERENCE TERMS |
|                       |

|                  |
|------------------|
| STANDARD PACKING |
| 20 PCS           |

|  |                     |          |
|--|---------------------|----------|
| <b>GARVIN INDUSTRIES</b>                     |                     |          |
| TITLE<br>1/2"RAISED MULTI-GANG DEVICE COVERS |                     |          |
| SIZE<br>A4                                   | DWG NO.<br>GBDC-122 | REV<br>D |
| DATA SHEET                                   |                     |          |