

KHT300-33

33" Topmount Single Bowl Stainless Steel Kitchen Sink

Satin Finish

Kräus®

SPECIFICATION SHEET

Stainless Steel

Thickness 16 Gauge

Bowl Configuration

Single Bowl

Installation Type

Topmount

Recommended Minimum Cabinet Size

24" Front to Back

36" Left to Right

Bowl Dimensions

Front to Back: 18"

Left to Right: 31"

Depth: 10"

Rim Dimensions

Front to Back: 22"

Left to Right: 33"

Drain Size

3 1/2" (89mm)

Drain Location

Rear Center

Included with Product

NoiseDefend Undercoating

NoiseDefend Sound Dampening Pads

Strainer ST-1

Cover Cap STC-2

Grid Model No. KBG-300-33

Installation Template

Topmount Mounting Clips

Towel

Warranty

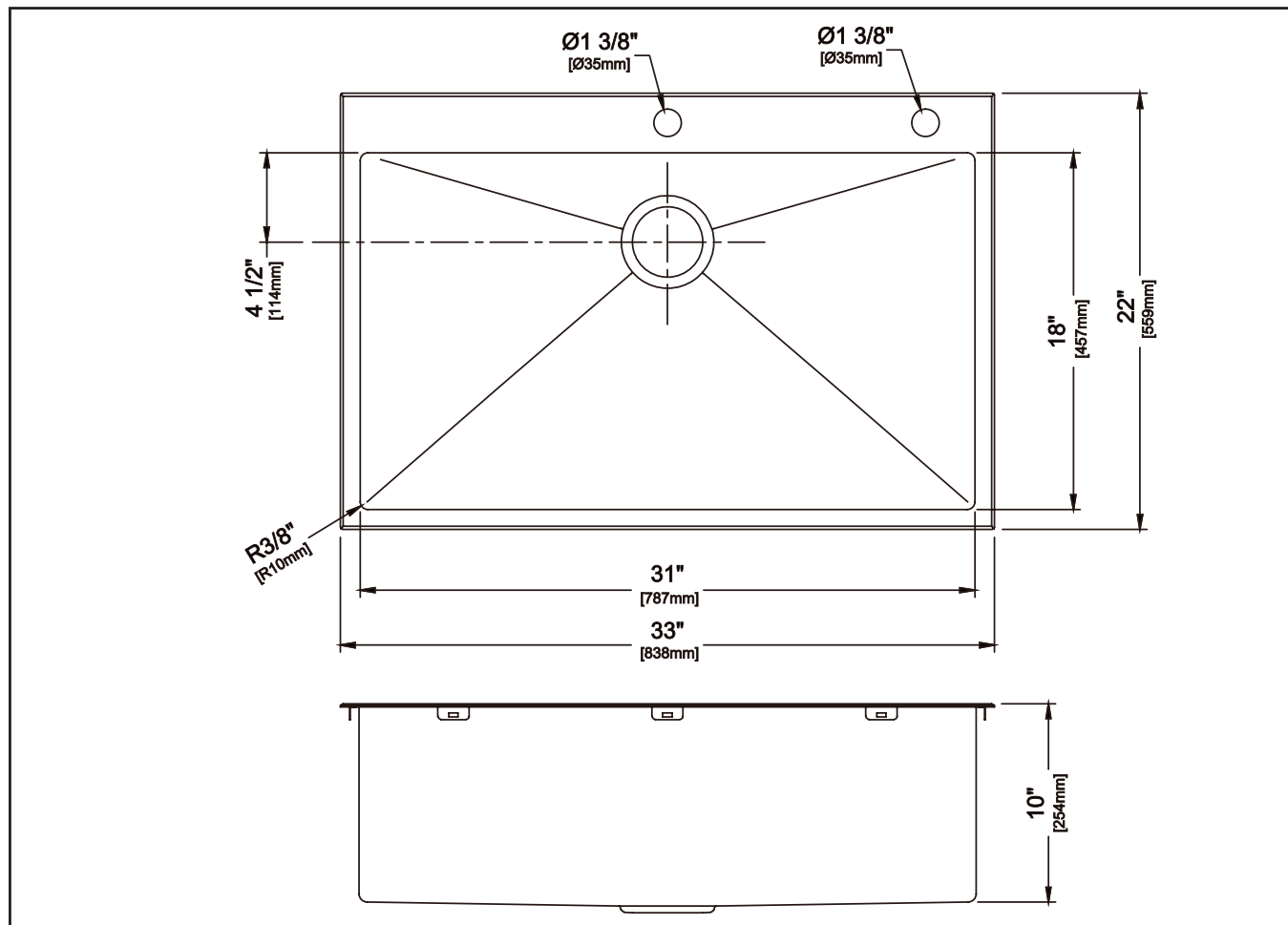
Kraus Lifetime Limited Warranty

Product Certification

cUPC (ASME A112.19.3/CSA B45.4)

Kraus Lifetime Limited Warranty: See website for details www.kraususa.com

1.800.775.0703 / customerservice@kraususa.com



Kraus USA Customer Service
Tel: 1.800.775.0703
Email: customerservice@kraususa.com

REV. July 27, 2018