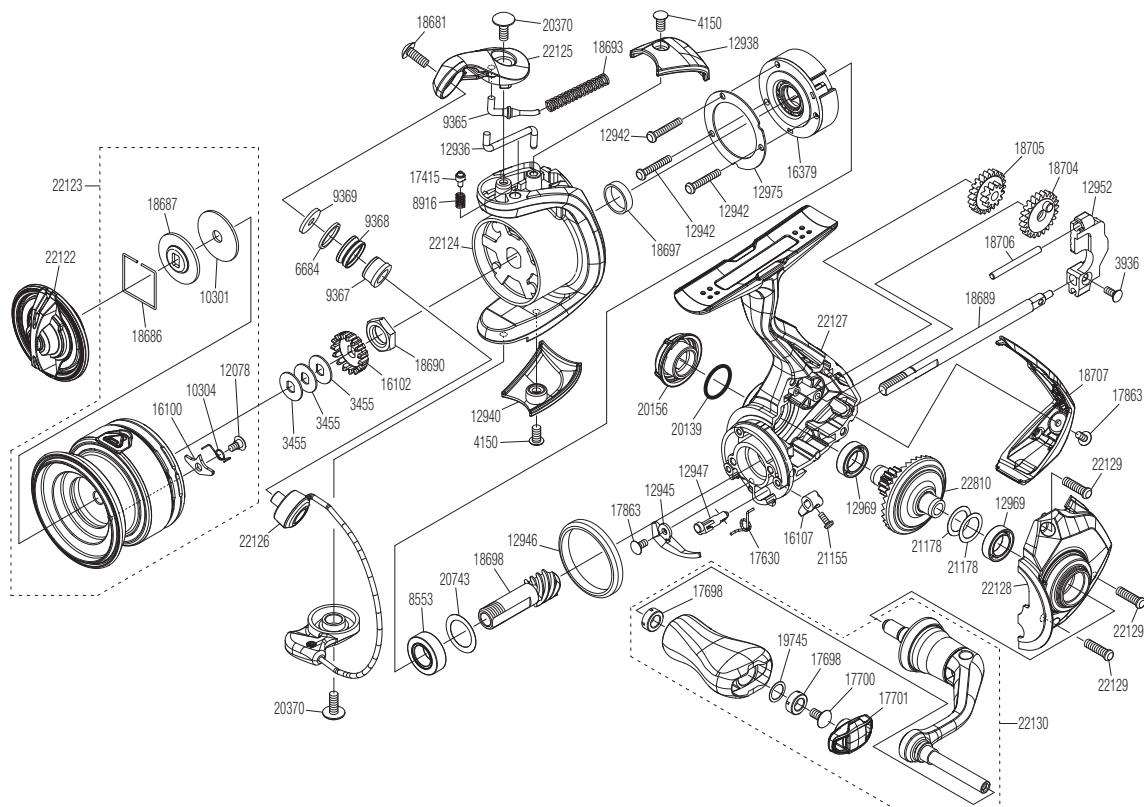


SHIMANO

SAHARA

SH-500



Please note that the number of adjusting washers may not always be the same as shown in the exploded views.

(51SF571A05X)

Please note that your actions take full responsibility when you take it apart.

| # | Part No. | Description | # | Part No. | Description | # | Part No. | Description |
|-------|----------|-------------------------|-------|----------|-------------------------|-------|----------|--------------------|
| 3455 | 10BXN | Spool Washer | 16107 | 10FPW | Anti Reverse Lever | 21155 | 10SUK | Screw |
| 3936 | 10MGL | Screw | 16379 | 10QPH | Roller Clutch Assembly | 21178 | 10EEZ | Washer |
| 4150 | 103KS | Screw | 17415 | 106ZC | Click Pin | 22122 | 10T99 | Drag Knob Assembly |
| 6684 | 10KFD | Spacer | 17630 | 10DCS | Anti Reverse Cam Spring | 22123 | 10T94 | Spool Assembly |
| 8553 | 107AT | Ball Bearing | 17698 | 10PXZ | Bushing | 22124 | 10TFG | Rotor Assembly |
| 8916 | 10CH0 | Click Spring | 17700 | 10LFA | Screw | 22125 | 100P0 | Bail Arm |
| 9365 | 105LS | Bail Spring Guide A | 17701 | 10TNJ | Handle Knob Seal | 22126 | 10TFN | Bail Assembly |
| 9367 | 10PFE | Bushing | 17863 | 10LCS | Screw | 22127 | 10TE2 | Body Assembly |
| 9368 | 10JLF | Line Roller | 18681 | 10PMH | Screw | 22128 | 100JD | Side Cover |
| 9369 | 10PFP | Washer | 18686 | 10MZN | Retainer | 22129 | 100H5 | Screw |
| 10301 | 10N56 | Drag Washer | 18687 | 10SOW | Key Washer | 22130 | 10170 | Handle Assembly |
| 10304 | 10JX8 | Drag Click Spring | 18689 | 10SOV | Main Shaft | 22810 | 142TH | Drive Gear |
| 12078 | 10PH4 | Screw | 18690 | 1081A | Rotor Nut | | | |
| 12936 | 10FAZ | Bail Trip Lever | 18693 | 10SQ8 | Bail Spring | | | |
| 12938 | 10CT3 | Bail Spring Cover | 18697 | 10HB7 | Rotor Ring | | | |
| 12940 | 107WM | Bail Hold Support Guard | 18698 | 10QWG | Pinion Gear | | | |
| 12942 | 10L1Z | Screw | 18704 | 10QWF | Oscillating Gear | | | |
| 12945 | 10D8Z | Bail Trip Strike | 18705 | 10QWJ | Idle Gear | | | |
| 12946 | 10D7P | Friction Ring | 18706 | 10QWH | Oscillating Guide | | | |
| 12947 | 10DC5 | Anti Reverse Cam | 18707 | 10SGA | Rear Protector | | | |
| 12952 | 104WG | Oscillating Slider | 19745 | 104FH | Washer | | | |
| 12969 | 107FA | Ball Bearing | 20139 | 10E3K | O Ring | | | |
| 12975 | 10AEX | Roller Clutch Reinforce | 20156 | 10RSE | Handle Screw Cap | | | |
| 16100 | 10BWZ | Drag Click | 20370 | 103DA | Screw | | | |
| 16102 | 103MX | Spool Support | 20743 | 10HHQ | Washer | | | |