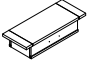



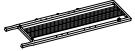





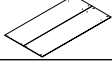
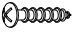




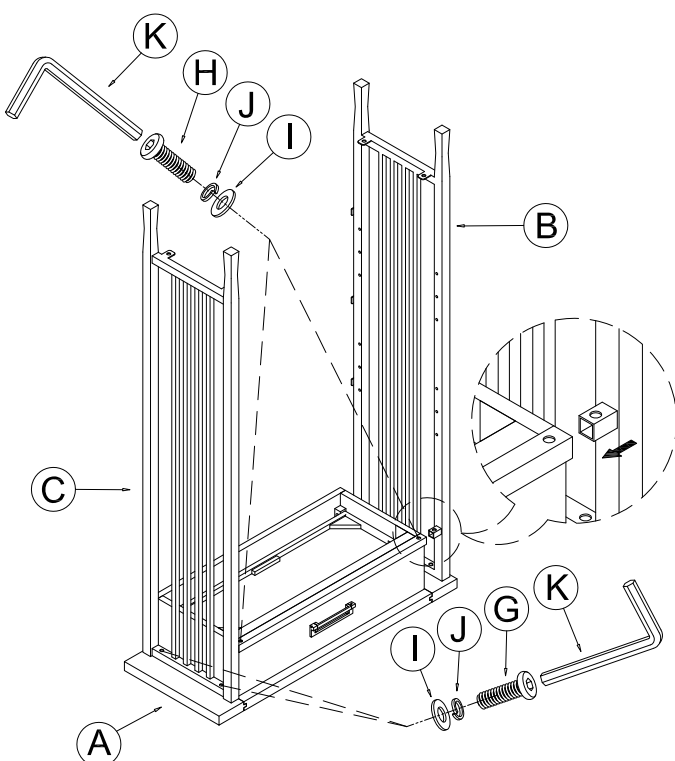
Assembly Instructions, #11262

Ironcraft Mantel Height Bookcase with Drawer Storage

A: Top Panel		H: (6) Short Bolts	
B: Left Side Frame		I: (10) Flat Washers	
C: Right Side Frame		J: (10) Lock Washers	
D: Bottom Panel		K: Allen Wrench	
E: (2) Adjustable Shelves		L: (8) Shelf supports	
F: Back Panel		M: (12) Screws	
G: (4) Long Bolts		N: (2) light block strips	

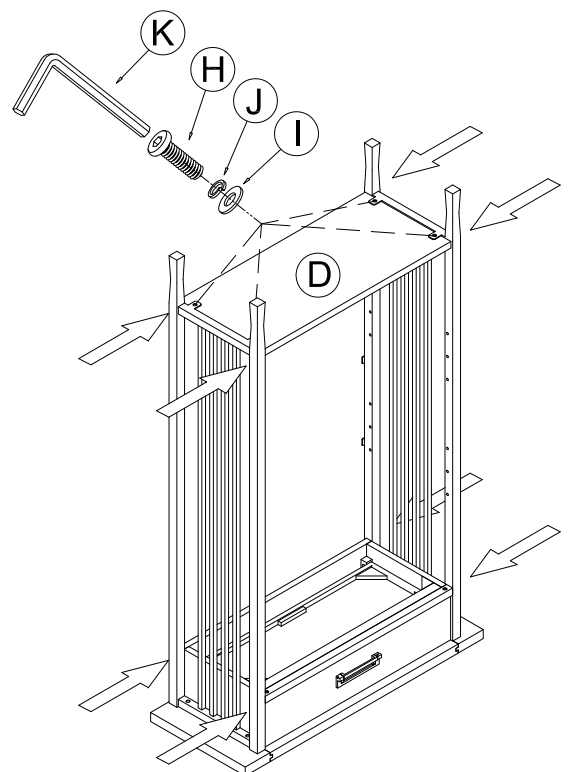
Step 1

Place the top assembly upside down on a soft surface. Insert two side frames into the top tubes, fasten with long bolts on the side and short bolts on the ends. Do not tighten.

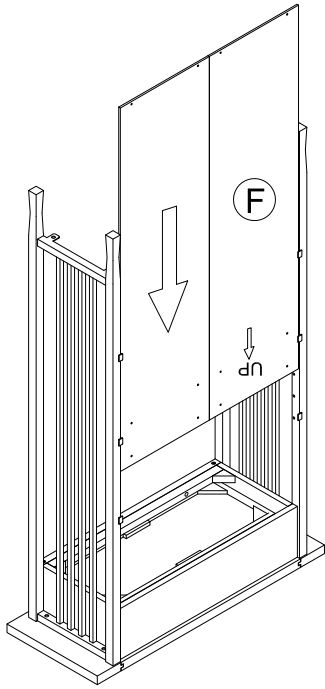


Step 2

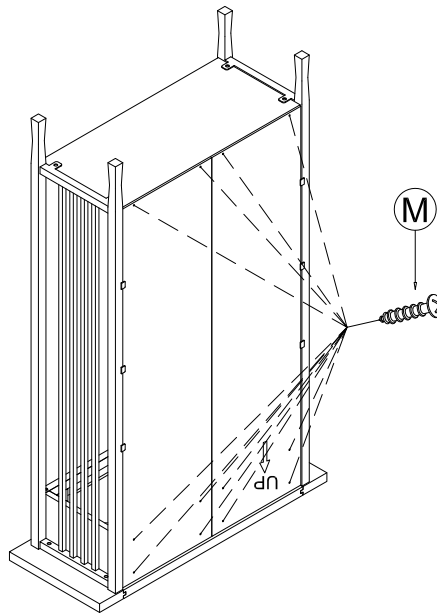
Insert the bottom shelf into the side frames, fasten with four short bolts. Push side frames onto the top metal tubes and shelf, now tighten all the bolts on step 1 and step 2.



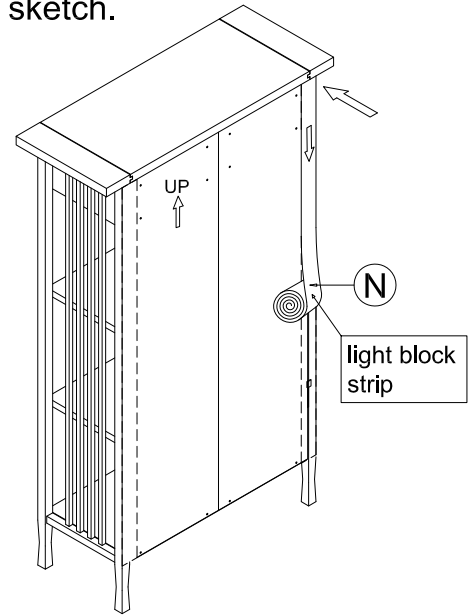
Step 3
Put the bookcase face down.
Unfold the back panel and
slide it into the bookcase.



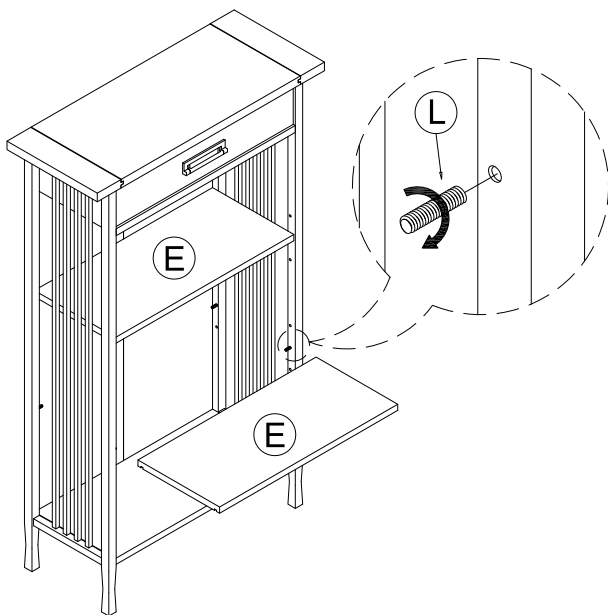
Step 4
Fasten the back panel with
screws.



Step 5
Place the top assembly right
side up. Stick the light block
strips to cover the gap between
metal and wood back panel on
two sides as per following
sketch.



Step 6
Screw the shelf supports on side frames and
place the adjustable shelves on.



Step 7
Adjust the levelers on the bottom of legs if
needed.

Furniture Tipping
Restraint must
always be used to
prevent tipping.

Furniture Tipping Restraint

