



If you're having any difficulty during assembly of this product, don't hesitate to call us at
1-800-950-4782.

Our customer service experts are trained to provide step-by-step instruction and can easily replace any missing or damaged parts.

**Representatives are available Monday-Friday
from 8:30 a.m. to 7:30 p.m. (ET)**

Master Upholstery Configuration Guide

Lot Code #

Part Number A203843C

Keep manual for future reference.



Thank you for purchasing this Bestar-Bush product. We trust that you will be completely satisfied with your product for many years to come. Bestar-Bush products are backed by a 1-year warranty and crafted with today's styles in mind for the way you work. **Do not return product to store – contact us first at 1-800-950-4782.**

Merci d'avoir acheté ce produit Bestar-Bush. Nous sommes sûr que vous serez complètement satisfait de votre meuble pendant de nombreuses années. Les produits Bestar-Bush sont garantis pendant 1 ans et sont conçus dans les styles actuels tout en gardant à l'esprit votre façon de travailler. **Ne renvoyez pas le produit au magasin, contactez-nous d'abord au 1-800-950-4782.**

Gracias por comprar este producto de Bestar-Bush. Confiamos que usted estará completamente satisfecho con su mueble por muchos años. Los productos de Bestar-Bush tienen 1 años de garantía y son diseñados con los estilos de hoy en mente para la manera que usted vive. **No devuelva el producto a la tienda, primero comuníquese con nosotros al 1-800-950-4782.**

CONTACT US

Monday – Friday
8:30 a.m. – 7:30 p.m. ET
(Except Holidays)

Bestar-Bush Consumer Services
One Mason Drive, P.O. Box 460
Jamestown, NY 14701
ConsumerService@Bushindustries.com

1-800-950-4782 USA/CANADA
001-800-950-4782 MEXICO

Se habla español
Outside USA/CANADA/MEXICO
001-716-665-2510 Ext. 4514

A203414

IT'S AS EASY AS 1,2,3

Assembly tips:

1. Read the instructions and become familiar with the parts.
2. Ensure this carton contains all parts, fasteners and hardware.
3. To protect floors, assemble the furniture on the carton.
4. An assistant may be helpful.
5. Use of power tools is not recommended.

Conseils d'assemblage:

1. Lisez les instructions et familiarisez-vous avec les pièces.
2. Assurez-vous que le carton contient toutes les pièces, toutes les pièces de fixation et toute la quincaillerie.
3. Pour protéger vos sols, assemblez le meuble sur le carton.
4. Il peut être utile de vous faire aider.
5. L'utilisation d'outils électriques n'est pas recommandée.

Consejos de Ensamblaje:

1. Lea las instrucciones y familiarícese con las partes.
2. Asegúrese de que esta caja contenga todas las piezas, los sujetadores y el equipo.
3. Para proteger el piso, ensamble el mueble en el carton.
4. Un asistente puede serle útil.
5. El uso de herramientas eléctricas no se recomienda.



CONSUMER
SERVICE

YOU CAN DEPEND ON

Questions? Operators are standing by at our TOLL-FREE help line to assist you with assembly; and, if necessary, to quickly replace damaged/missing parts. Assistance is available 5 days a week. Simply have your store receipt, instruction manual, and part number/description ready when you call our TOLL-FREE help line. It's that easy.

UN SERVICE CLIENTELE SUR LEQUEL VOUS POUVEZ COMPTER

Des questions? Des opérateurs sont prêts sur notre ligne d'assistance GRATUITE pour vous aider à l'assemblage et, si nécessaire, remplacer rapidement les pièces endommagées/manquantes. L'assistance est disponible 5 jours par semaine. Ayez simplement votre reçu de magasin, votre manuel d'instruction et le numéro de pièces/description à votre disposition lorsque vous appelez notre ligne d'assistance GRATUITE. C'est aussi simple que ça.

SERVICIO AL CONSUMIDOR CON EL QUE PUEDE CONTAR

¿Preguntas? Los operadores están listos para ayudarlo con el ensamblaje a través de una línea de ayuda GRATUITA, y en caso de ser necesario, reemplazar de inmediato las piezas dañadas o faltantes. La asistencia está disponible los 5 días de la semana. Solamente tenga listos su recibo de compra, manual de indicaciones y número/descripción de la pieza al momento de llamarnos a la línea de ayuda GRATUITA. Es así de sencillo.

www.bushfurniture.com

For best results, keep these tips in mind:

- ① We know you want to finish this assembly as quickly as possible, but trust us: you'll have a better experience if you take it one step at a time.
- ② Give yourself some room to work near where you want the fully assembled product.
- ③ If your floor isn't carpeted, assemble this product on the empty carton to avoid scratching.
- ④ Do you have a friend who owes you a favor? You will need a second set of hands for this assembly.

DOs

- ✓ Use a garment steamer to remove creases from cushion covers before assembly
- ✓ After assembly, allow 3-4 days for seat back and cushions to fully expand
- ✓ Wear safety glasses at all times during assembly
- ✓ Carefully follow the instructions in this guide and complete all steps in order
- ✓ Give us a call if you're having trouble with a particularly tricky step
- ✓ Follow the care and cleaning directions listed in these instructions

DON'Ts

- ✗ We know power tools are quick and easy, but you shouldn't use them when assembling this product (unless otherwise specified)
- ✗ Never move your furniture with items resting on the surface
- ✗ Do not attempt to use this product before all steps have been completed
- ✗ Use scissors or a knife when opening the package it can cause damage



Watch assembly videos right on your phone or computer!



Some steps include QR codes that link to helpful videos. Watch out for the icon below! Simply open up your smartphone camera to scan the code.

(Users of older smartphones may need to install a QR Reader.)

SCAN HERE



FOR VIDEOS

Or visit <https://bushfurniture.com/help-faq/#assembling>

IMPORTANT SAFETY INFORMATION



PLEASE READ WARNINGS

Improper use can cause safety hazards, or damage to your furniture and household items.

Warning	Do	Don't	Why it's important
Serious injury may occur.	<ul style="list-style-type: none">• Read all instructions before assembling this furniture.• Assemble following all instructions using all indicated parts and hardware provided.	<ul style="list-style-type: none">• Do not stand on or use this furniture as a step stool.• Do not exceed the maximum weight limits specified in these instructions.• Do not use this furniture if any parts are missing, broken, damaged, or worn.• Do not place this furniture close to a heat source.• Do not sit on arms, backs, or the very edge of furniture.	Improper assembly, use or loading can lead to product instability, tip-over or collapse.

Advertencia	Hacer	No	Por qué es importante
Pueden producirse lesiones graves.	<ul style="list-style-type: none">• Lea todas las instrucciones antes de montar este mueble.• Realice el montaje siguiendo todas las instrucciones utilizando todas las piezas indicadas y el hardware proporcionado .	<ul style="list-style-type: none">• No se suba ni utilice este mueble como un taburete.• No exceda los límites de peso máximo especificados en estas instrucciones.• No utilice este mueble si alguna pieza falta, está rota, dañada o gastada.• No coloque este mueble cerca de una fuente de calor.• No se sienta sobre los brazos, la espalda o el borde mismo de los muebles.	El montaje, el uso o la carga inadecuados pueden provocar inestabilidad, vuelco o colapso del producto.

Avertissement	Faire	Ne le fais pas	Pourquoi c'est important
Des blessures graves peuvent survenir.	<ul style="list-style-type: none">• Lea todas las instrucciones antes de montar este mueble.• Realice el montaje siguiendo todas las instrucciones utilizando todas las piezas indicadas y el hardware proporcionado .	<ul style="list-style-type: none">• Ne montez pas sur ce meuble et n'utilisez pas ce meuble comme escabeau.• Ne dépassez pas les limites de poids maximum spécifiées dans ces instructions.• N'utilisez pas ce meuble si des pièces sont manquantes, cassées, endommagées ou usées.• Ne placez pas ce meuble à proximité d'une source de chaleur.• Ne vous asseyez pas sur les bras, le dos ou le bord même des meubles.	Un assemblage, une utilisation ou un chargement inadéquats peuvent entraîner une instabilité du produit, un basculement ou un effondrement.

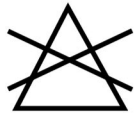
- o Periodically flip and rotate cushions to balance wear.
- o Fluff pillows and cushions to maintain shape
- o To prevent fading or discoloration of fabric, avoid placement in near sources of heat, moisture, and direct sunlight.
- o To prevent moisture penetration and staining of fabric or cushion, immediately dry any watermarks.
- o All fabrics can experience pilling from friction and normal wear loosening fibers. You may use a fabric shaver to gently remove pills.

Cleaning:

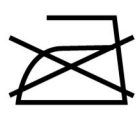
- o Soft brush attachments may be used when vacuuming; avoid stiff bristles that could damage upholstery fibers.
- o Before cleaning, select a small hidden section of fabric to pre-test your cleaner for color loss and capability. Do not over wet your furniture.
- o To spot-clean upholstery, be sure to use an absorbent, clean, undyed cloth dampened with a mild cleaner. To prevent rings, blot from the outside, moving to the soiled area's center, do not rub.
- o For overly soiled upholstery, we recommend contacting a professional cleaning service.
- o Do not remove cushion cores from the fabric covers.
- o Do not put cushion cores or cases into a washing machine or dryer; washing covers could lead to discoloration.
- o Lining and frame can be wiped clean with a cloth dampened in a mild cleaner.
- o To clean feet, use a solution of water and soap, then dry it thoroughly with a clean cloth.



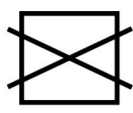
DO NOT
WASH



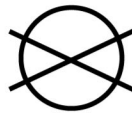
DO NOT
BLEACH



DO NOT
IRON



DO NOT
DRY



DO NOT
DRY CLEAN

Scan QR Code to
Watch Video on:



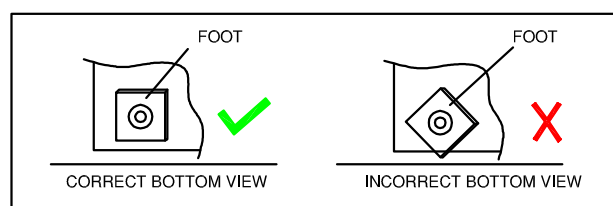
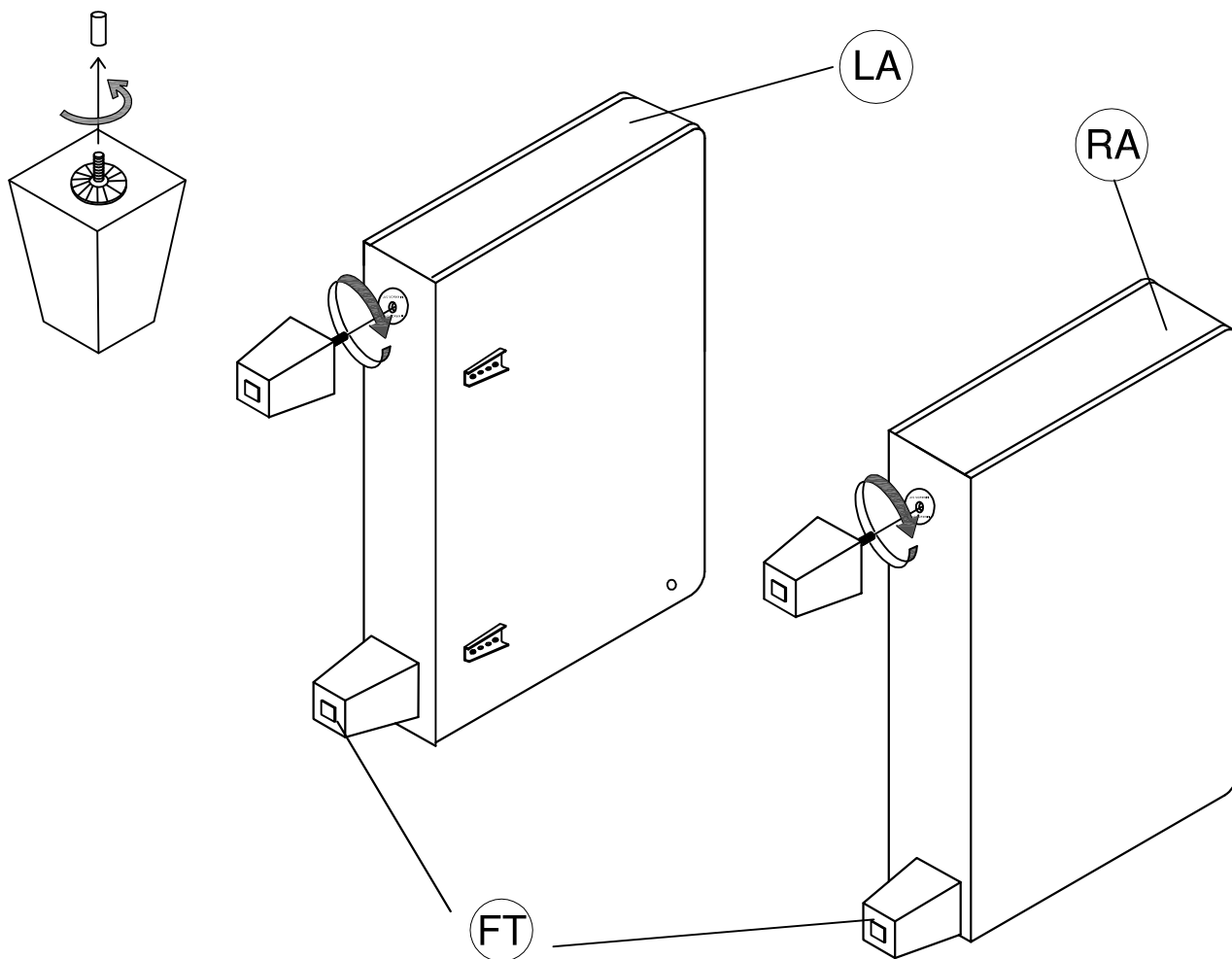
How to Care
for Fabric

Have an assembly question or need a replacement part? Just call
1-800-950-4782, we are here to help.

NOTE: Cushions may take 3-4 days to fully expand, which will allow wrinkles and indentations caused by packing to fade.

NOTAS: Los cojines pueden tardar entre 3 y 4 días en expandirse por completo, lo que permitirá que las arrugas y las hendiduras causadas por el empaque se desvanezcan.

REMARQUES: les coussins peuvent prendre 3 à 4 jours pour se dilater complètement, ce qui permettra aux rides et aux indentations causées par l'emballage de s'estomper.

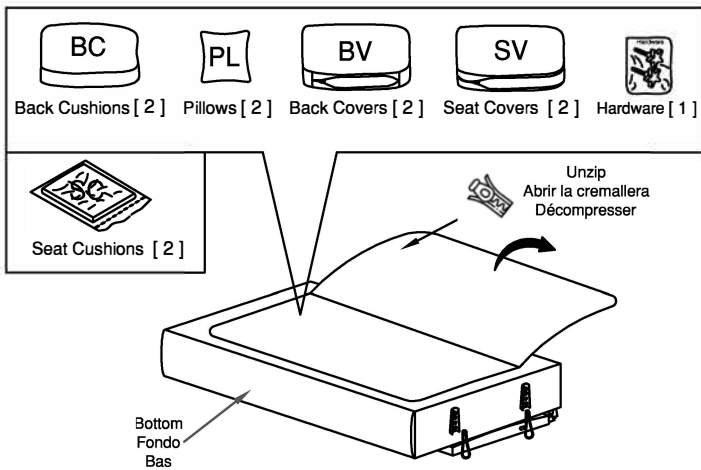


Have an assembly question or need a replacement part? Just call
1-800-950-4782, we are here to help.

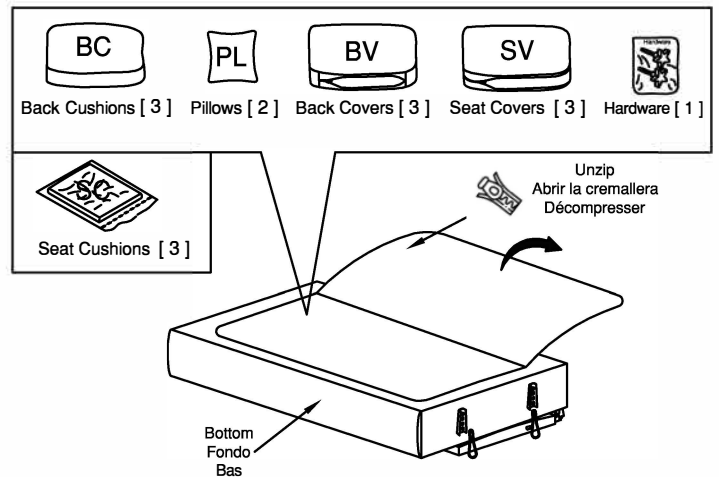
Components may vary depending on purchase. Unpack all applicable components.
 Los componentes pueden variar según la compra. Desembale todos los componentes correspondientes.

Les composants peuvent varier en fonction de l'achat. Déballez tous les composants applicables.

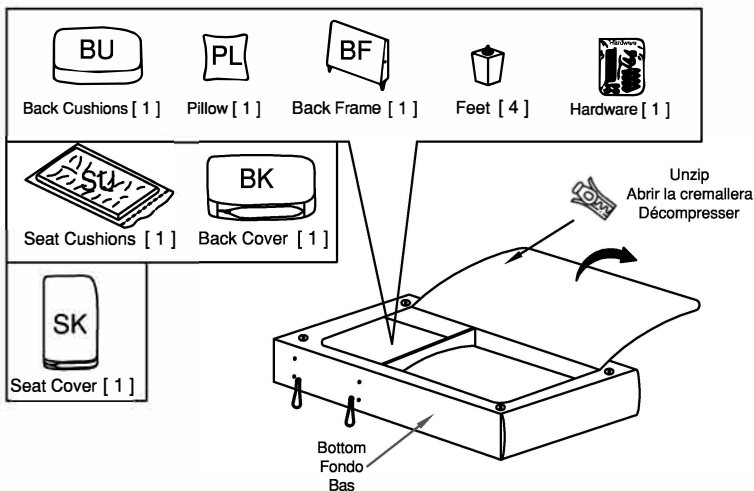
49W & 61W Sofa Base (SB)



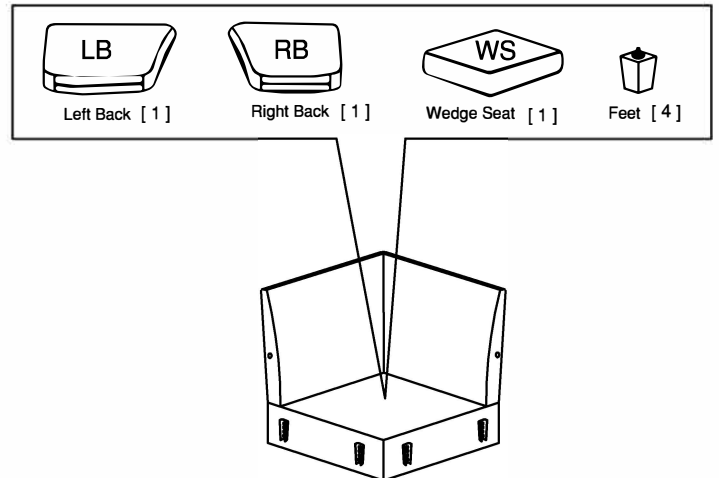
73W Sofa Base (SB)



Chaise (CH)



Wedge (WG)



Have an assembly question or need a replacement part? Just call **1-800-950-4782**, we are here to help.

Scan QR Code to
Watch Video on:



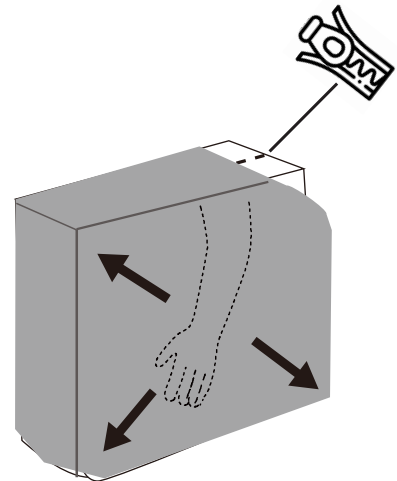
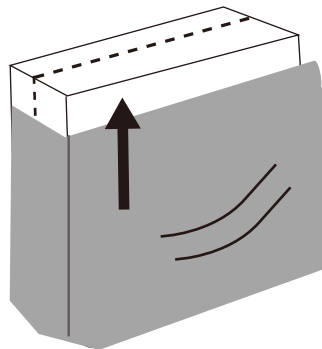
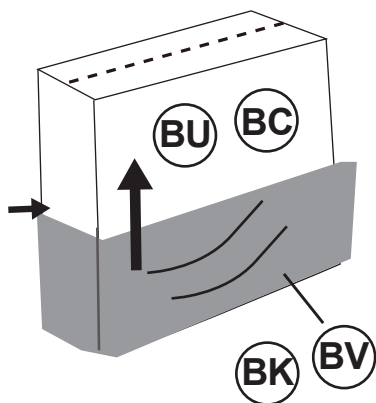
How to Assemble
the Cushions



NOTE: To remove unwanted wrinkles, steam the covers **BEFORE** placing the cushions inside. Steam the inside of the cover on low heat (110 F). **DO NOT** iron the fabric on the side with pile.

NOTA: Para eliminar las arrugas no deseadas, vaporice las fundas **ANTES** de colocar los cojines adentro. Cocine al vapor el interior de la tapa a fuego lento (110 F). **NO** planche la tela del lado con pelo.

REMARQUE: Pour éliminer les plis indésirables, vaporisez les housses **AVANT** de placer les coussins à l'intérieur. Cuire à la vapeur l'intérieur du couvercle à feu doux (110 F). **NE** repassez **PAS** le tissu sur le côté à poils.



NOTE: Seat back and cushions may take 3-4 days to fully expand, which will allow wrinkles and indentations caused by packing to fade.

NOTAS: El respaldo y los cojines del asiento pueden tardar de 3 a 4 días en expandirse por completo, lo que permitirá que las arrugas y las hendiduras causadas por el empaque se desvanezcan.

REMARQUES: Le dossier et les coussins du siège peuvent prendre 3 à 4 jours pour se dilater complètement, ce qui permettra aux plis et aux indentations causés par l'emballage de s'estomper.

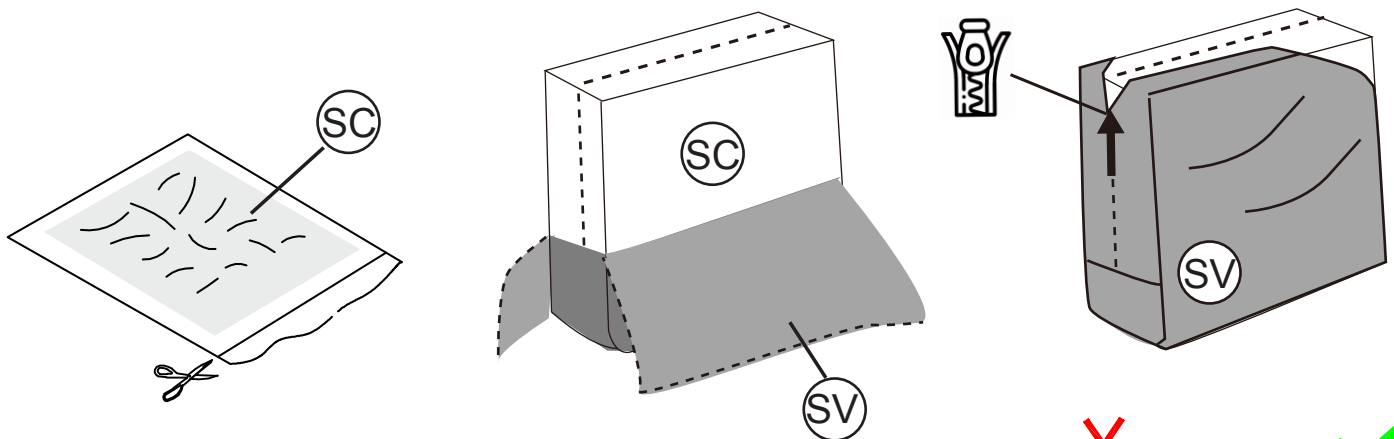
Have an assembly question or need a replacement part? Just call
1-800-950-4782, we are here to help.

Scan QR Code to Watch Video on:



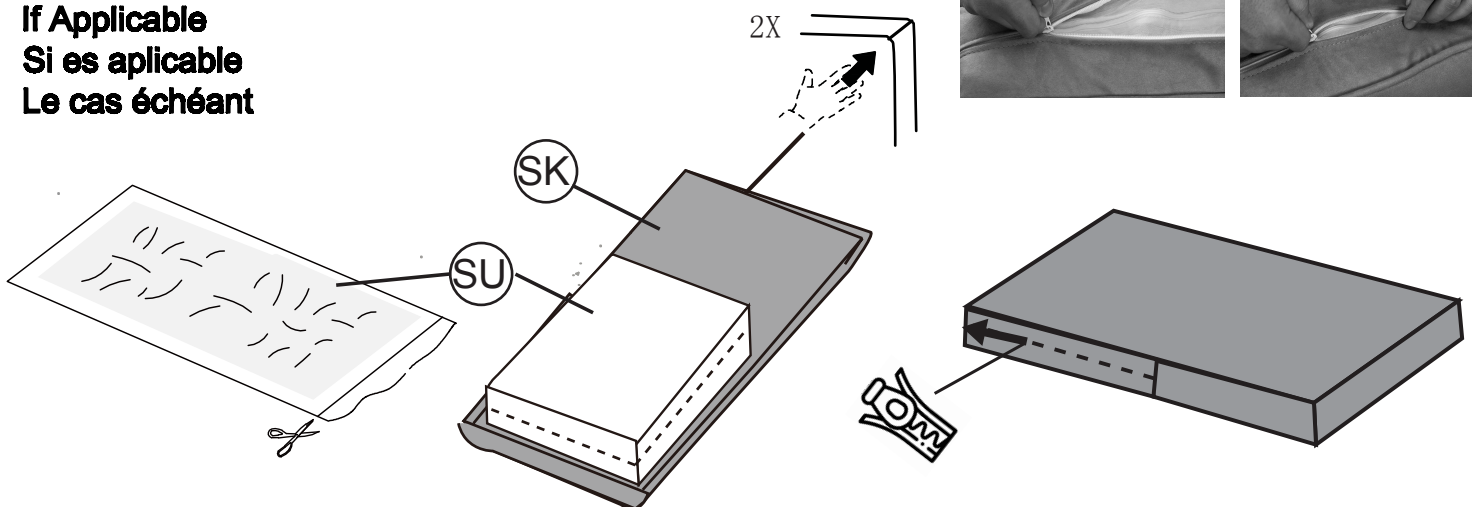
How to Assemble the Cushions

Note: Insert seamless end of cushion into seamless end of cover.
Nota: Inserte el extremo sin costuras del cojín en el extremo sin costuras de la funda.
Remarque: insérez l'extrémité sans couture du coussin dans l'extrémité sans couture de la housse.



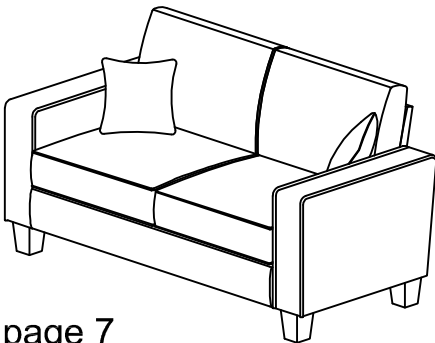
Chaise

If Applicable
Si es aplicable
Le cas échéant



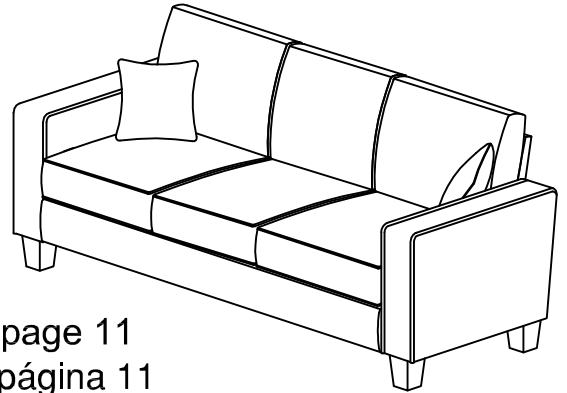
Have an assembly question or need a replacement part? Just call **1-800-950-4782**, we are here to help.

61W Loveseat / 73W Sofa



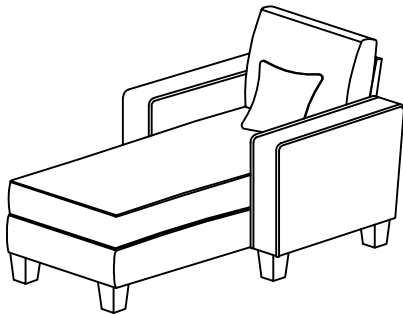
Go to page 7
Ir a la página 7
Aller à la page 7

85W Sofa



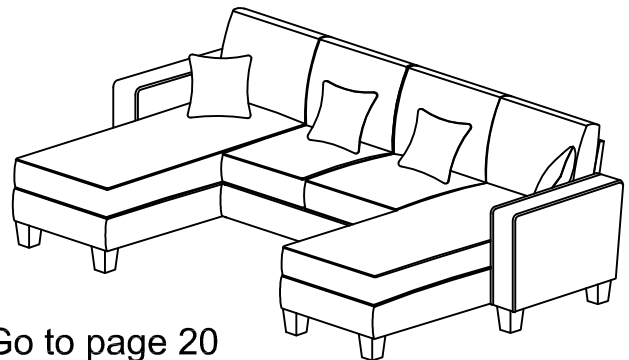
Go to page 11
Ir a la página 11
Aller à la page 11

Chaise with Arms



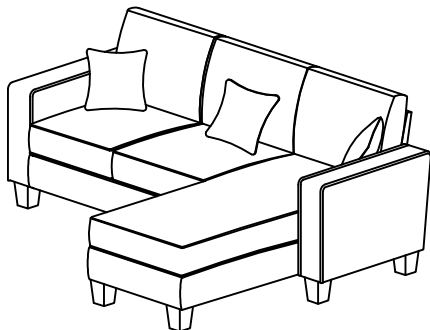
Go to page 15
Ir a la página 15
Aller à la page 15

130W Double Chaise Sectional



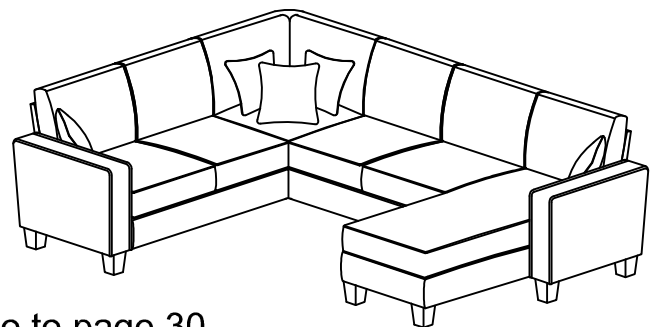
Go to page 20
Ir a la página 20
Aller à la page 20

102W Reversible Chaise Sectional



Go to page 25
Ir a la página 25
Aller à la page 25

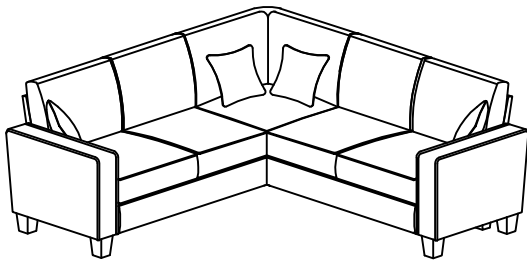
127W Reversible U Sectional w/Chaise



Go to page 30
Ir a la página 30
Aller à la page 30

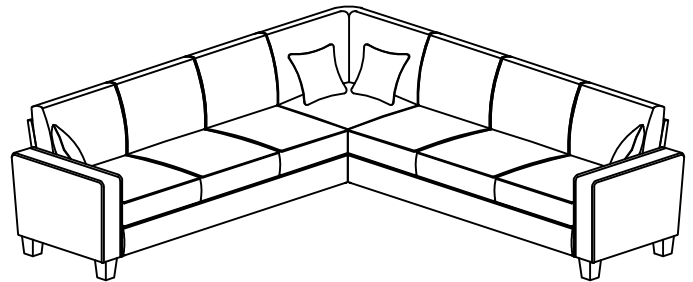
Have an assembly question or need a replacement part? Just call
1-800-950-4782, we are here to help.

86W L Sectional / 98W L Sectional



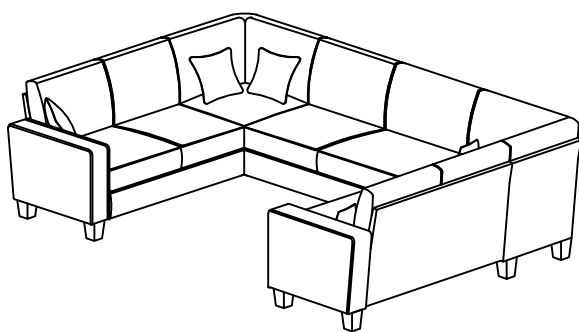
Go to page 37
Ir a la página 37
Aller à la page 37

110W L Sectional



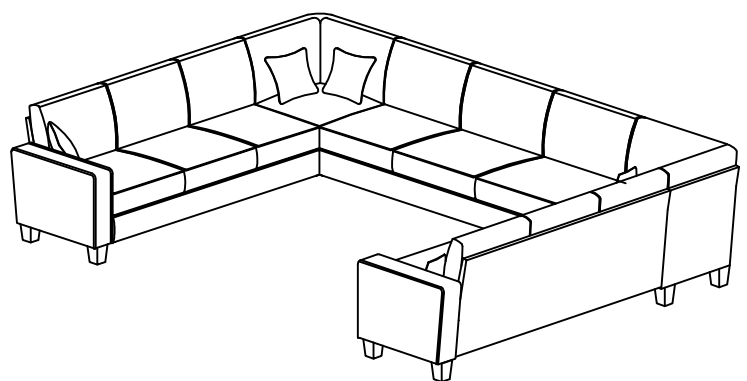
Go to page 42
Ir a la página 42
Aller à la page 42

112W U Shaped Symmetrical Sectional /
123W U Shaped Symmetrical Sectional



Go to page 47
Ir a la página 47
Aller à la page 47

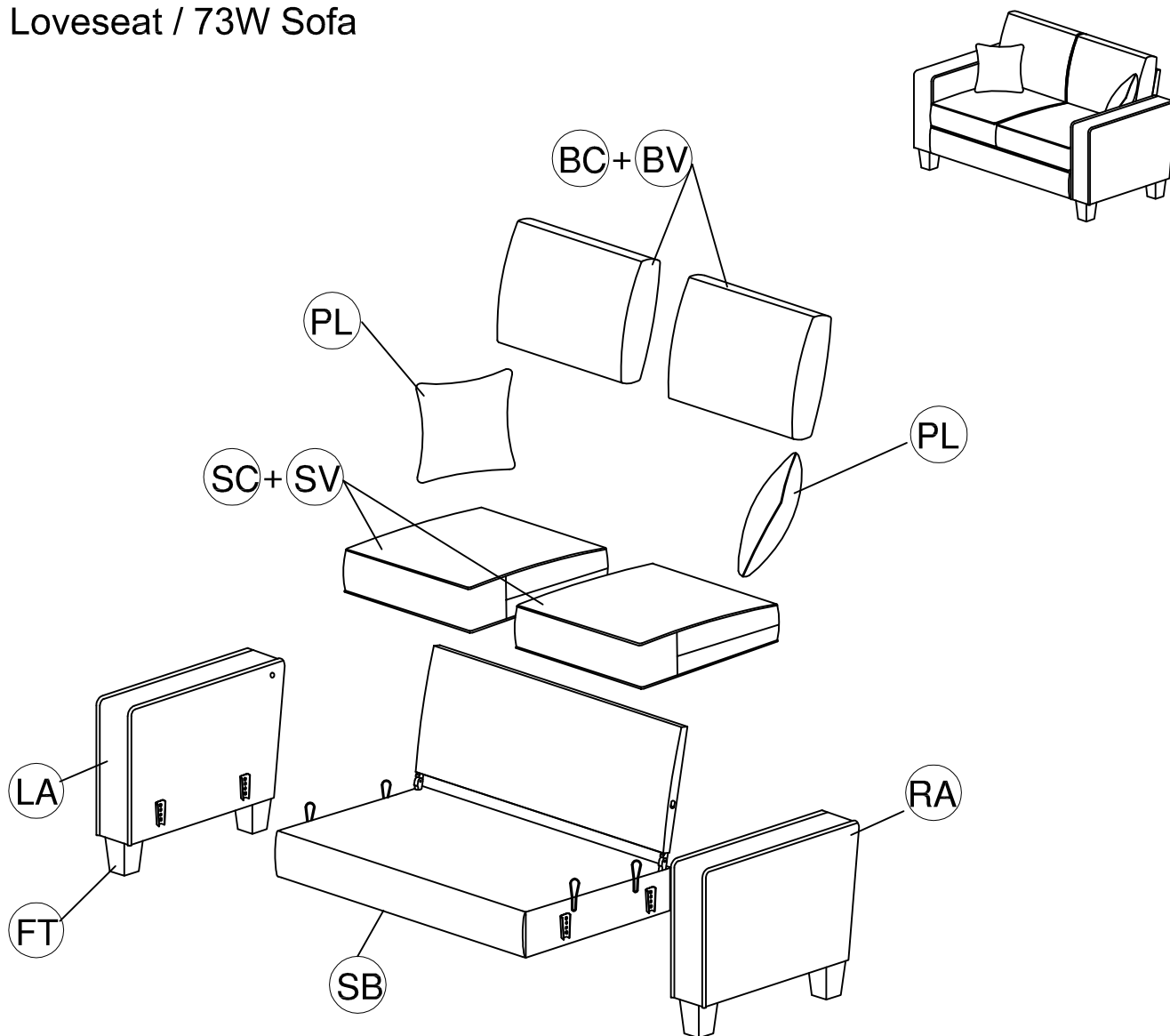
135W U Shaped Symmetrical Sectional



Go to page 52
Ir a la página 52
Aller à la page 52

Have an assembly question or need a replacement part? Just call
1-800-950-4782, we are here to help.

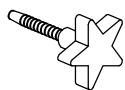
61W Loveseat / 73W Sofa



HARDWARE

Hardware not to scale.

H202409



[2]

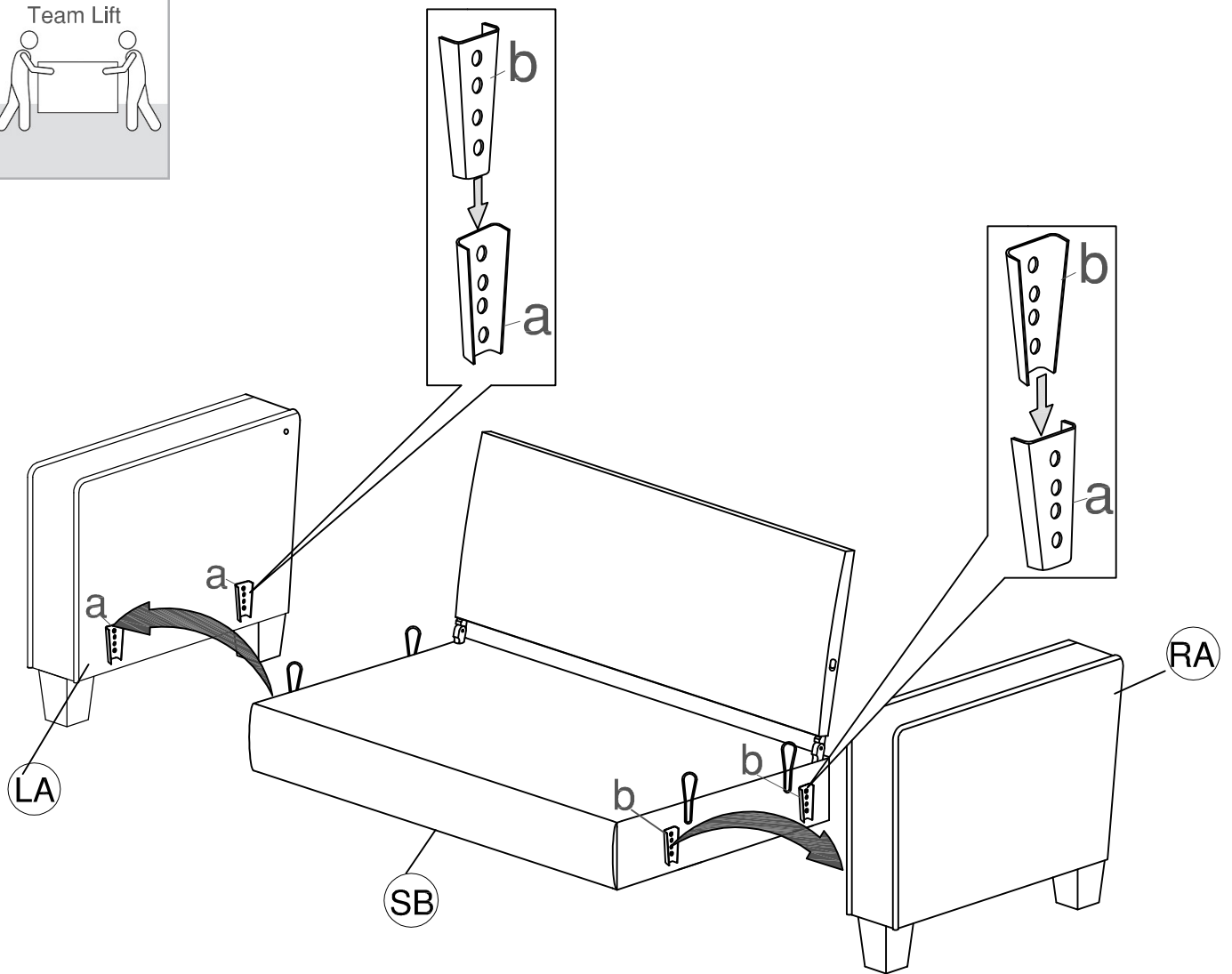
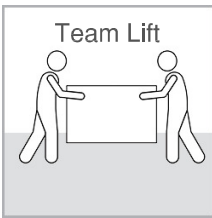
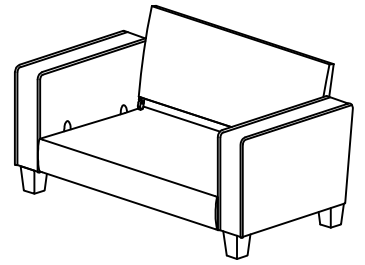
2.5"L Thumb Bolts

Have an assembly question or need a replacement part? Just call
1-800-950-4782, we are here to help.

Scan QR Code to Watch Video on:



How to Attach Components



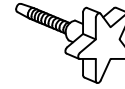
Have an assembly question or need a replacement part? Just call **1-800-950-4782**, we are here to help.

Scan QR Code to
Watch Video on:



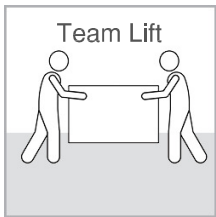
How to Secure the
Backrest

H202409



[2]

2.5"L Thumb Bolts



Mating Arm Insert
Inserto de brazo de acoplamiento
Insertion de bras d'accouplement

Align
Alinear
Aligner

Adjust Backrest
Ajustar el respaldo
Ajuster le dossier

Adjust the position of the backrest as necessary, up and down and front to back, until the mating arm insert is aligned with the bolt. This step may take time, so don't get frustrated. A helper may be of assistance.

Ajuste la posición del respaldo según sea necesario, hacia arriba y hacia abajo y de adelante hacia atrás, hasta que el inserto del brazo de acoplamiento esté alineado con el perno. Este paso puede llevar tiempo, así que no se frustre. Un ayudante puede ser de ayuda.

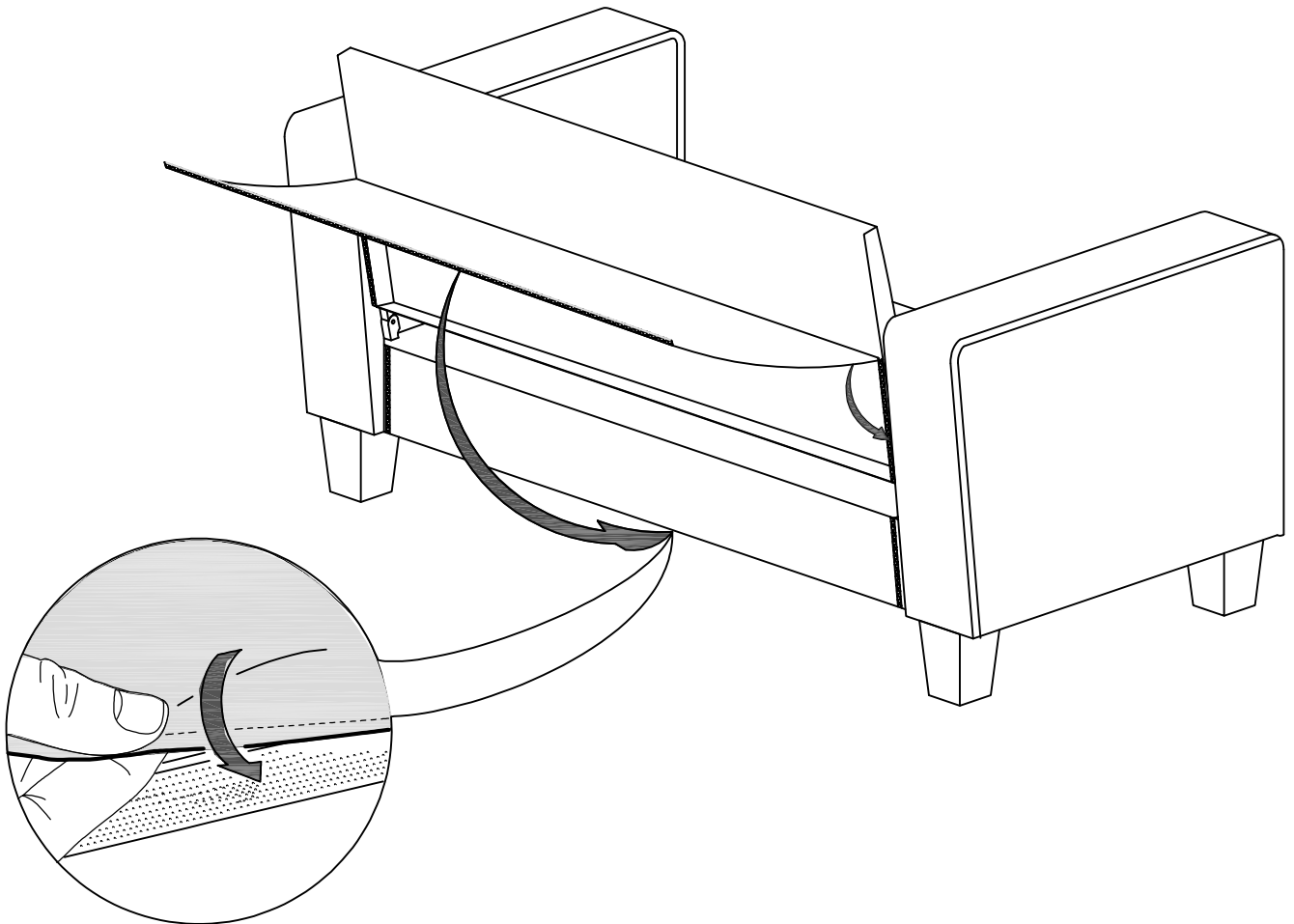
Ajustez la position du dossier si nécessaire, de haut en bas et d'avant en arrière, jusqu'à ce que l'insert du bras d'accouplement soit aligné avec le boulon. Cette étape peut prendre du temps, alors ne soyez pas frustré. Un assistant peut être utile.

Have an assembly question or need a replacement part? Just call
1-800-950-4782, we are here to help.

Scan QR Code to
Watch Video on:



How to Secure the
Backrest

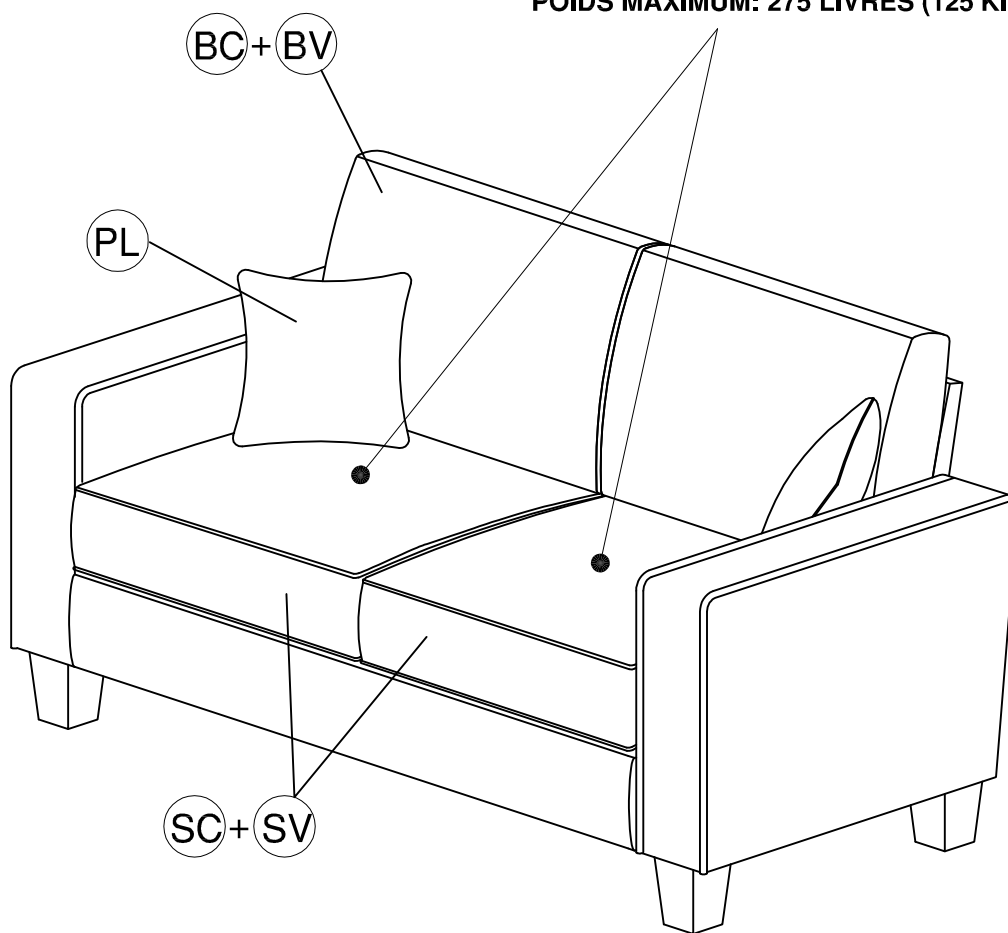


Have an assembly question or need a replacement part? Just call
1-800-950-4782, we are here to help.

MAXIMUM WEIGHT: 275 LBS (125 KG)

PESO MÁXIMO: 275 LIBRAS (125 KILOGRAMO)

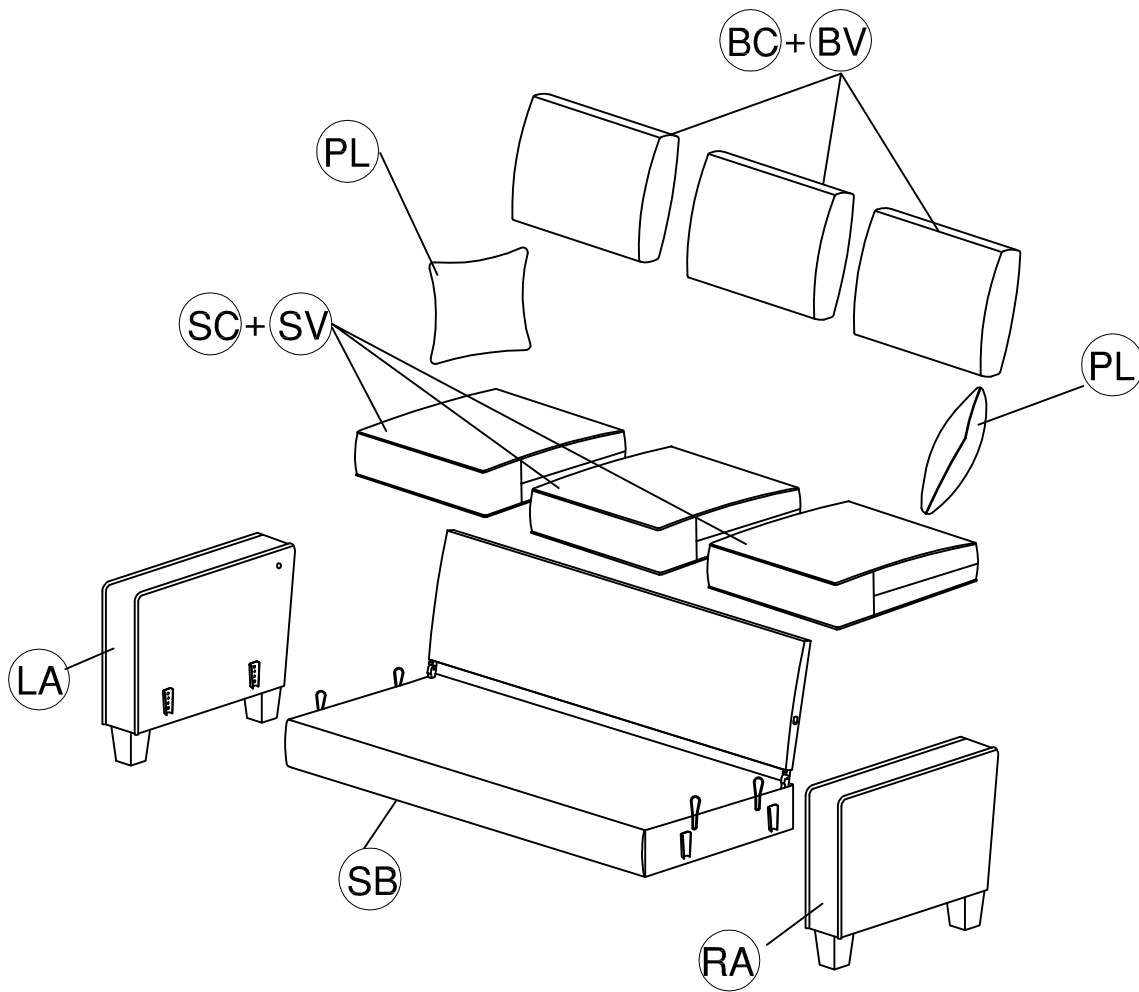
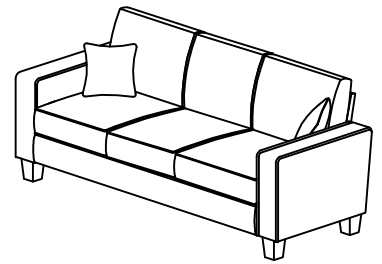
POIDS MAXIMUM: 275 LIVRES (125 KILOGRAMME)



Congratulations! You are all done. If you have any questions or concerns, please call.

Have an assembly question or need a replacement part? Just call **1-800-950-4782**, we are here to help.

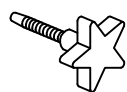
85W Sofa



HARDWARE

Hardware not to scale.

H202409



[2]

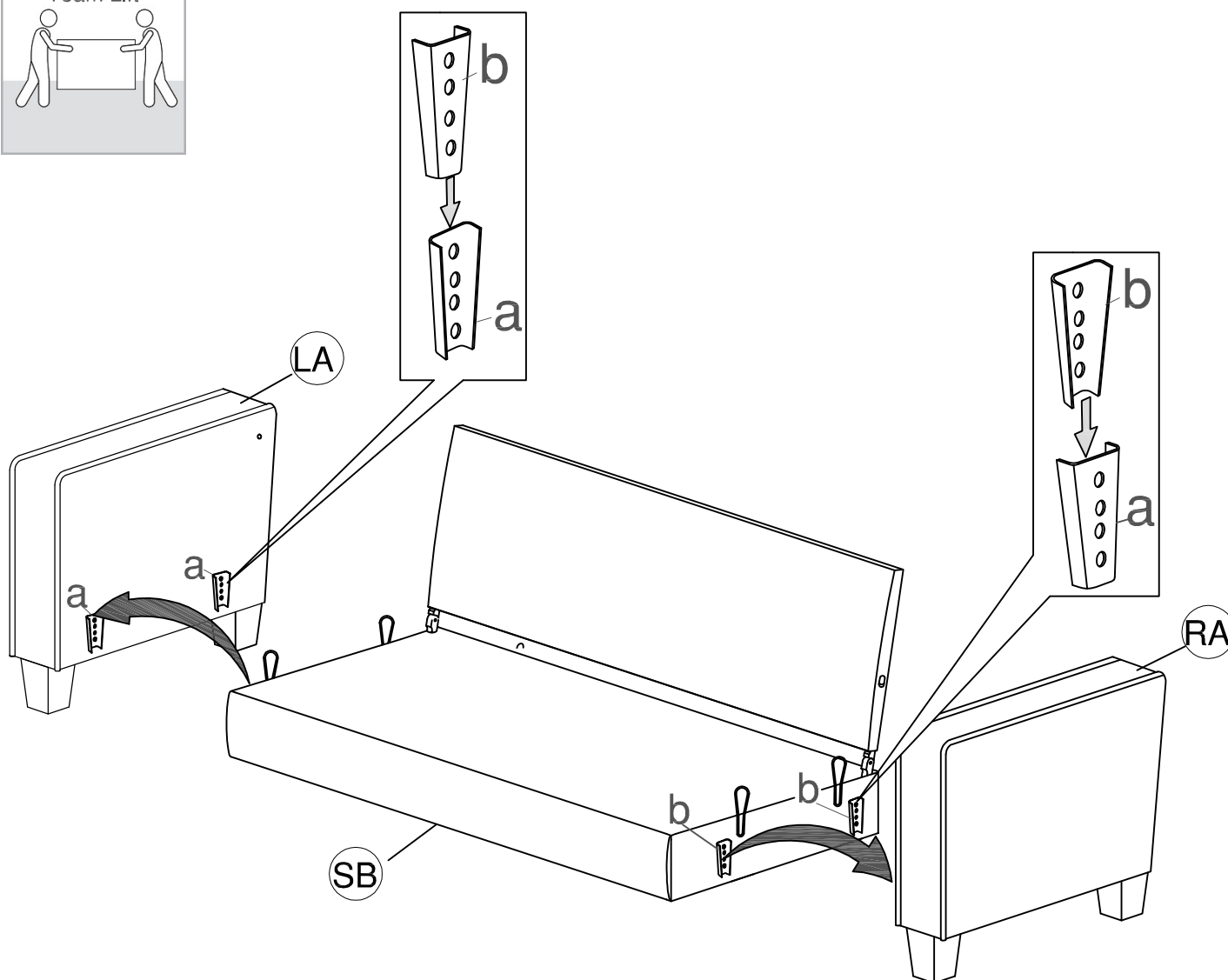
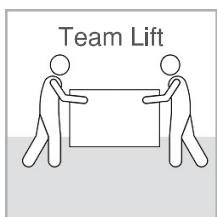
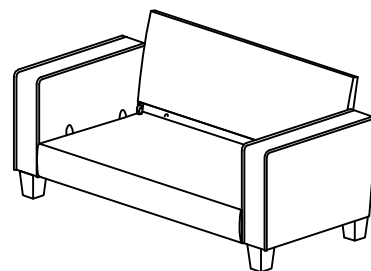
2.5"L Thumb Bolts

Have an assembly question or need a replacement part? Just call **1-800-950-4782**, we are here to help.

Scan QR Code to Watch Video on:



How to Attach Components

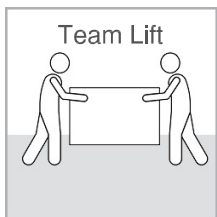


Have an assembly question or need a replacement part? Just call **1-800-950-4782**, we are here to help.

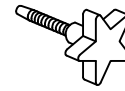
Scan QR Code to
Watch Video on:



How to Secure the
Backrest

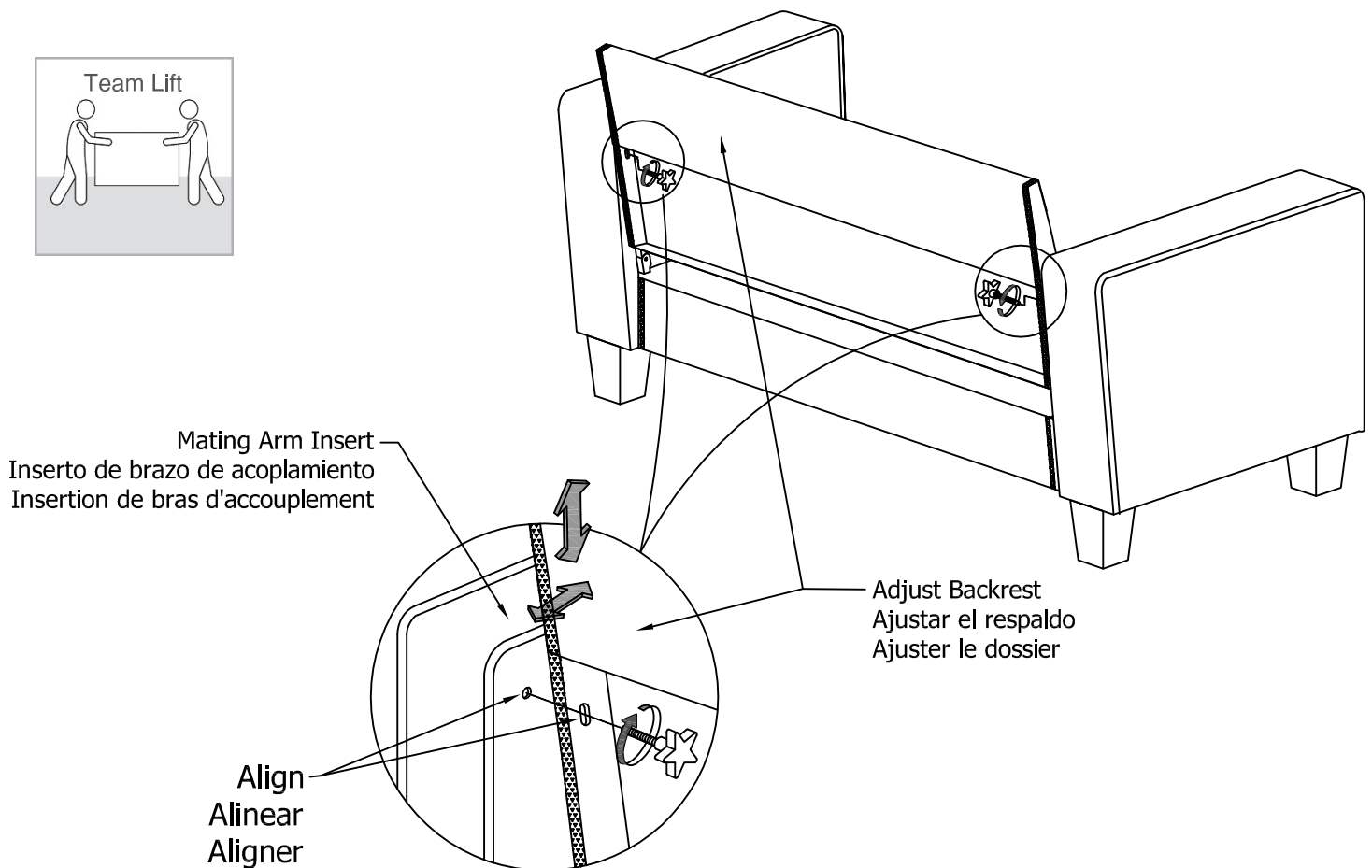


H202409



[2]

2.5"L Thumb Bolts



Adjust the position of the backrest as necessary, up and down and front to back, until the mating arm insert is aligned with the bolt. This step may take time, so don't get frustrated. A helper may be of assistance.

Ajuste la posición del respaldo según sea necesario, hacia arriba y hacia abajo y de adelante hacia atrás, hasta que el inserto del brazo de acoplamiento esté alineado con el perno. Este paso puede llevar tiempo, así que no se frustre. Un ayudante puede ser de ayuda.

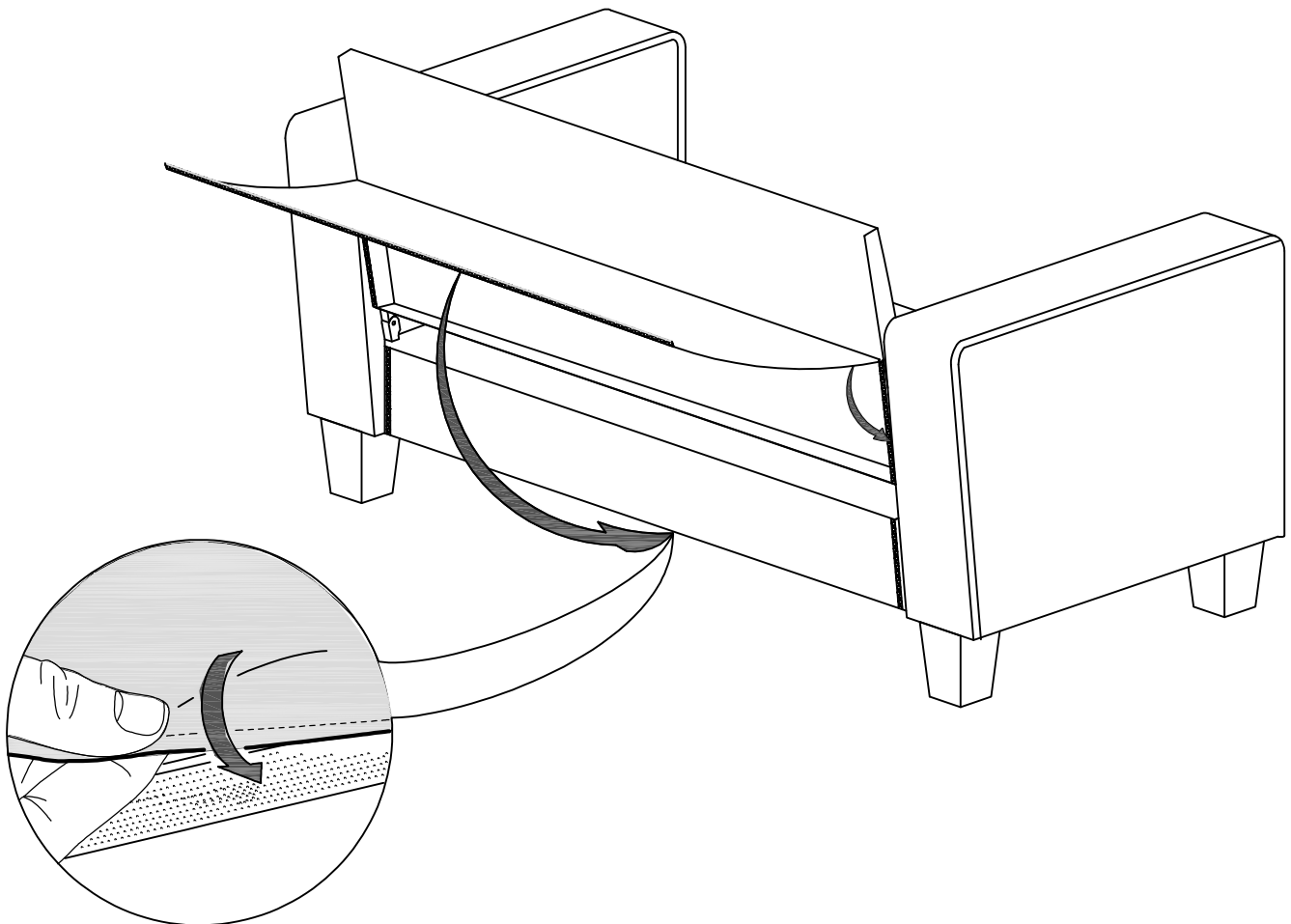
Ajustez la position du dossier si nécessaire, de haut en bas et d'avant en arrière, jusqu'à ce que l'insert du bras d'accouplement soit aligné avec le boulon. Cette étape peut prendre du temps, alors ne soyez pas frustré. Un assistant peut être utile.

Have an assembly question or need a replacement part? Just call
1-800-950-4782, we are here to help.

Scan QR Code to
Watch Video on:

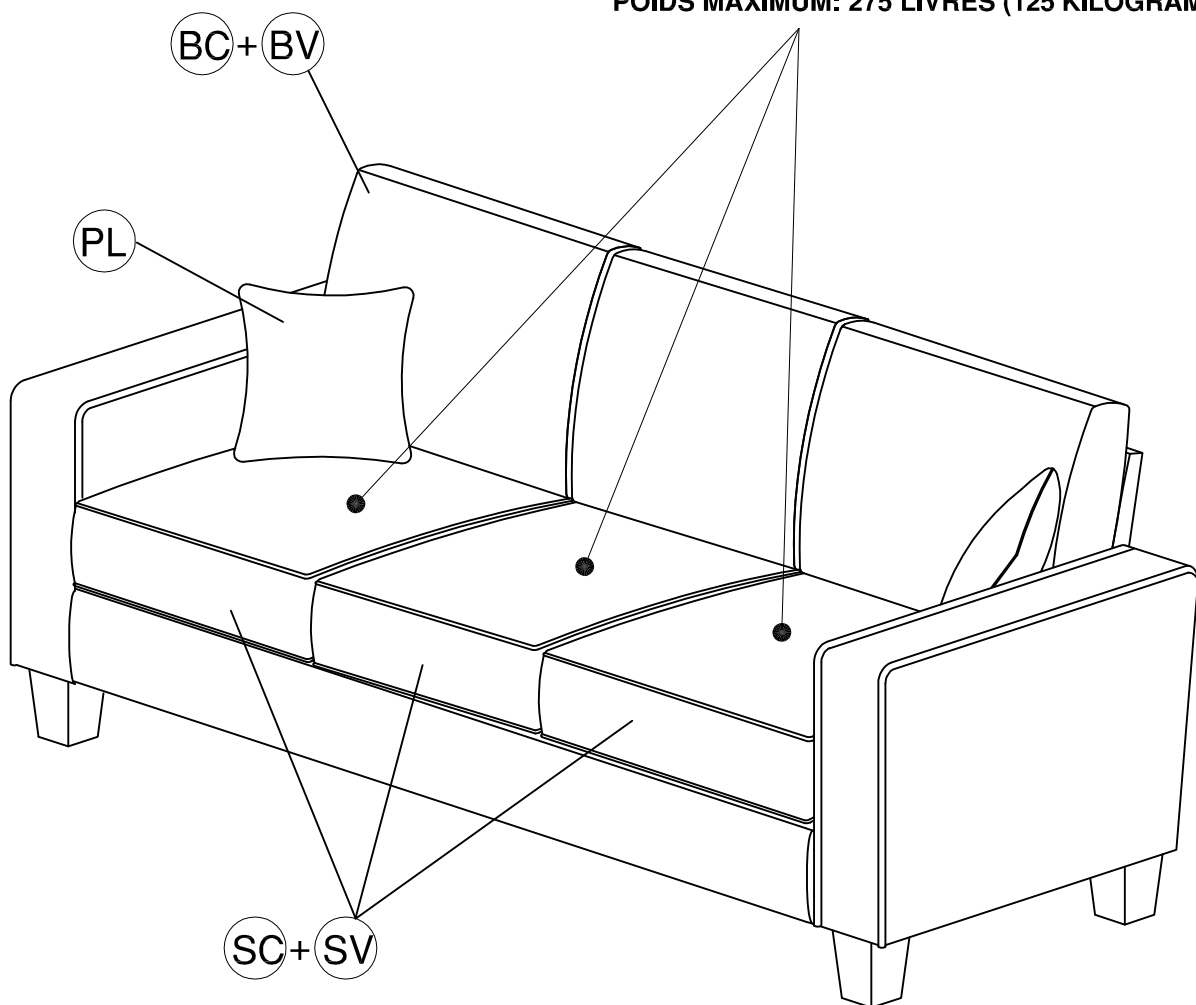


How to Secure the
Backrest



Have an assembly question or need a replacement part? Just call
1-800-950-4782, we are here to help.

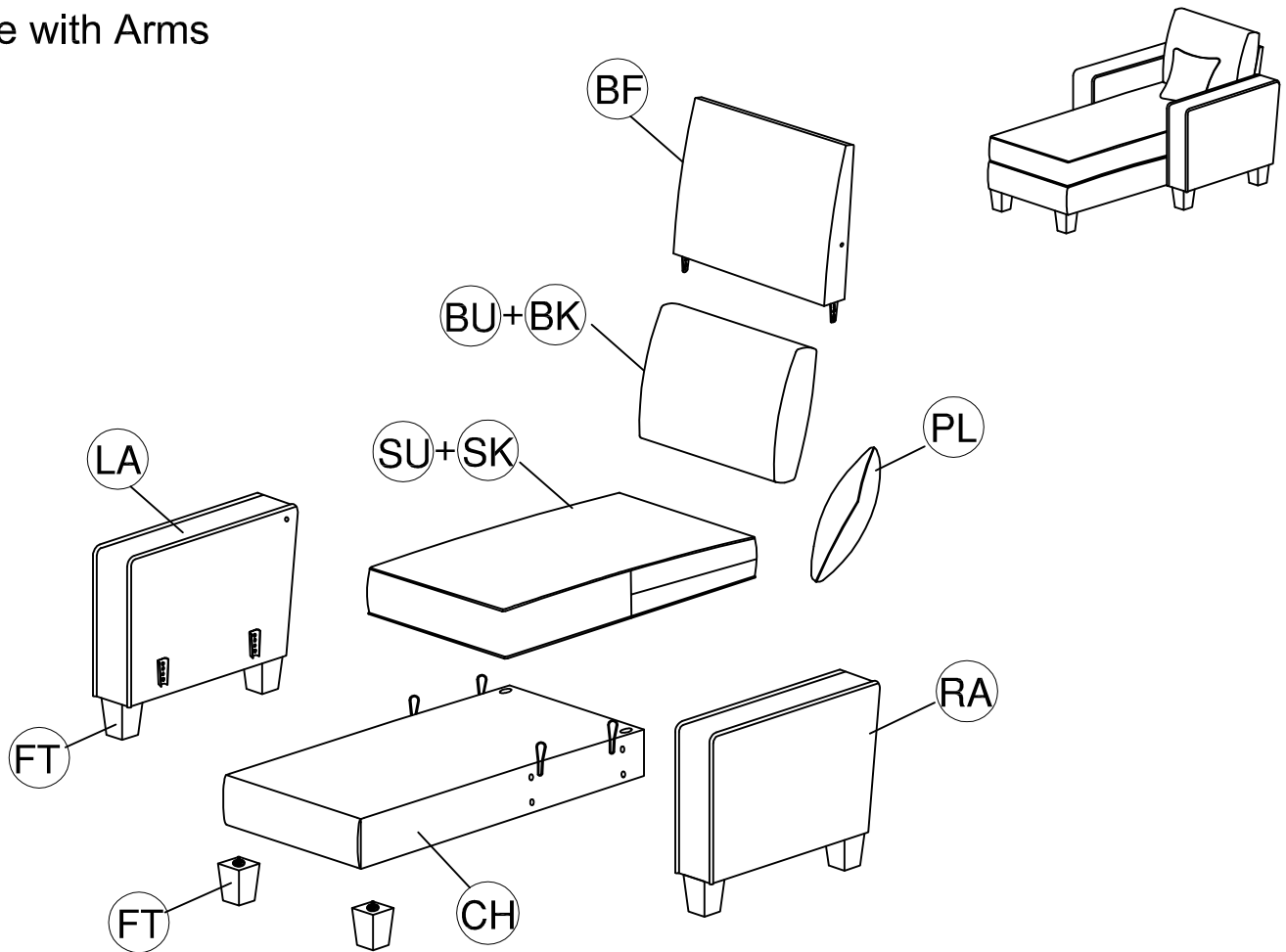
MAXIMUM WEIGHT: 275 LBS (125 KG)
PESO MÁXIMO: 275 LIBRAS (125 KILOGRAMO)
POIDS MAXIMUM: 275 LIVRES (125 KILOGRAMME)



Congratulations! You are all done. If you have any questions or concerns, please call.

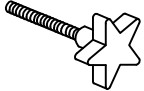
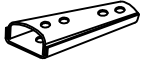
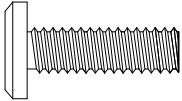


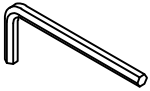
Have an assembly question or need a replacement part? Just call **1-800-950-4782**, we are here to help.

Chaise with Arms



HARDWARE

Hardware not to scale.

H203479		[2]	H202412		[4]
	3.5"L Thumb Bolts			Bracket	
H203745		[8]	H189112		[2]
	1/4" x3/4"			Washer	
H203480		[2]	H145867		[1]
	5/16" Butterfly Nut			4mm Allen Wrench	

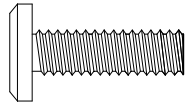
Have an assembly question or need a replacement part? Just call **1-800-950-4782**, we are here to help.

Scan QR Code to Watch Video on:



How to Attach the Chaise Brackets

H203745



[8]

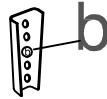
1/4" x3/4"



[2]

FT

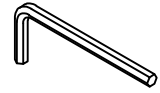
H202412



[4]

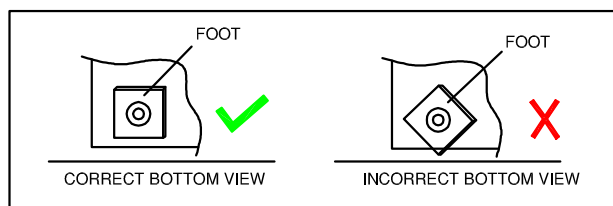
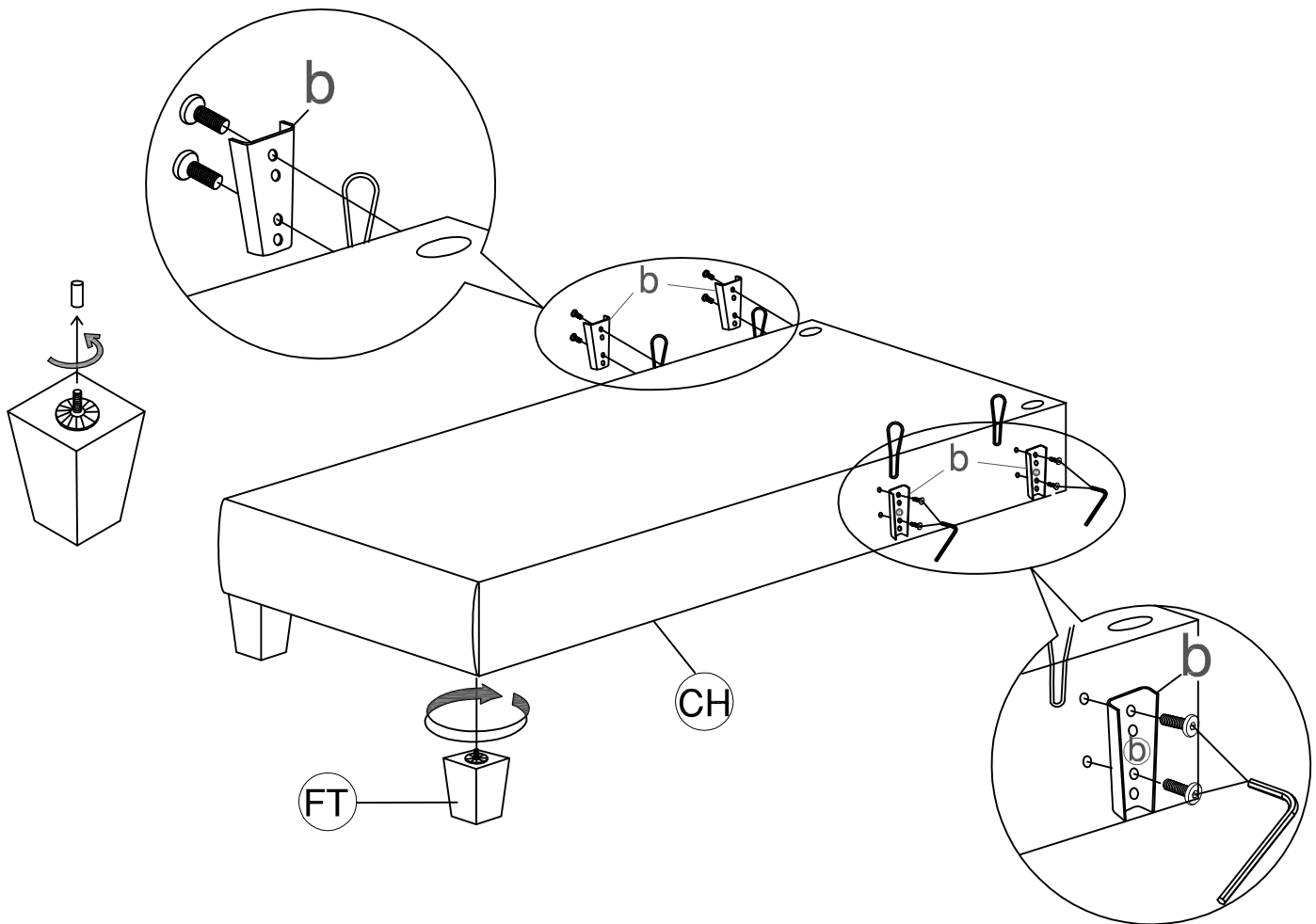
Bracket

H145867



[1]

4mm Allen Wrench

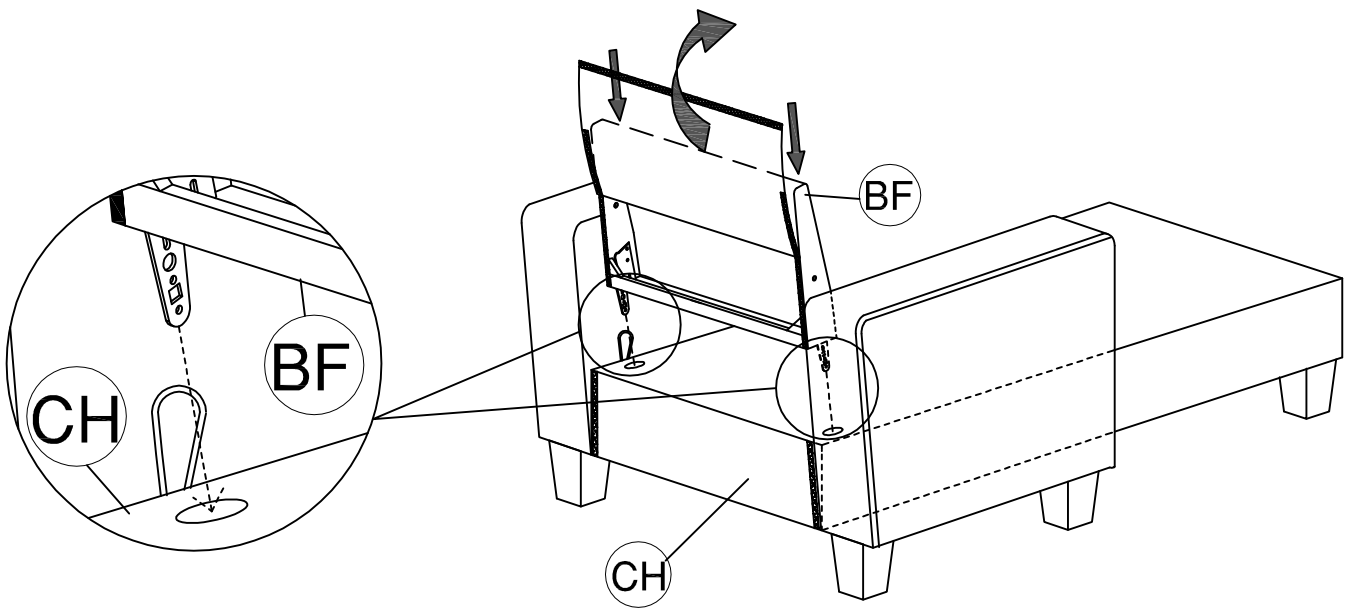
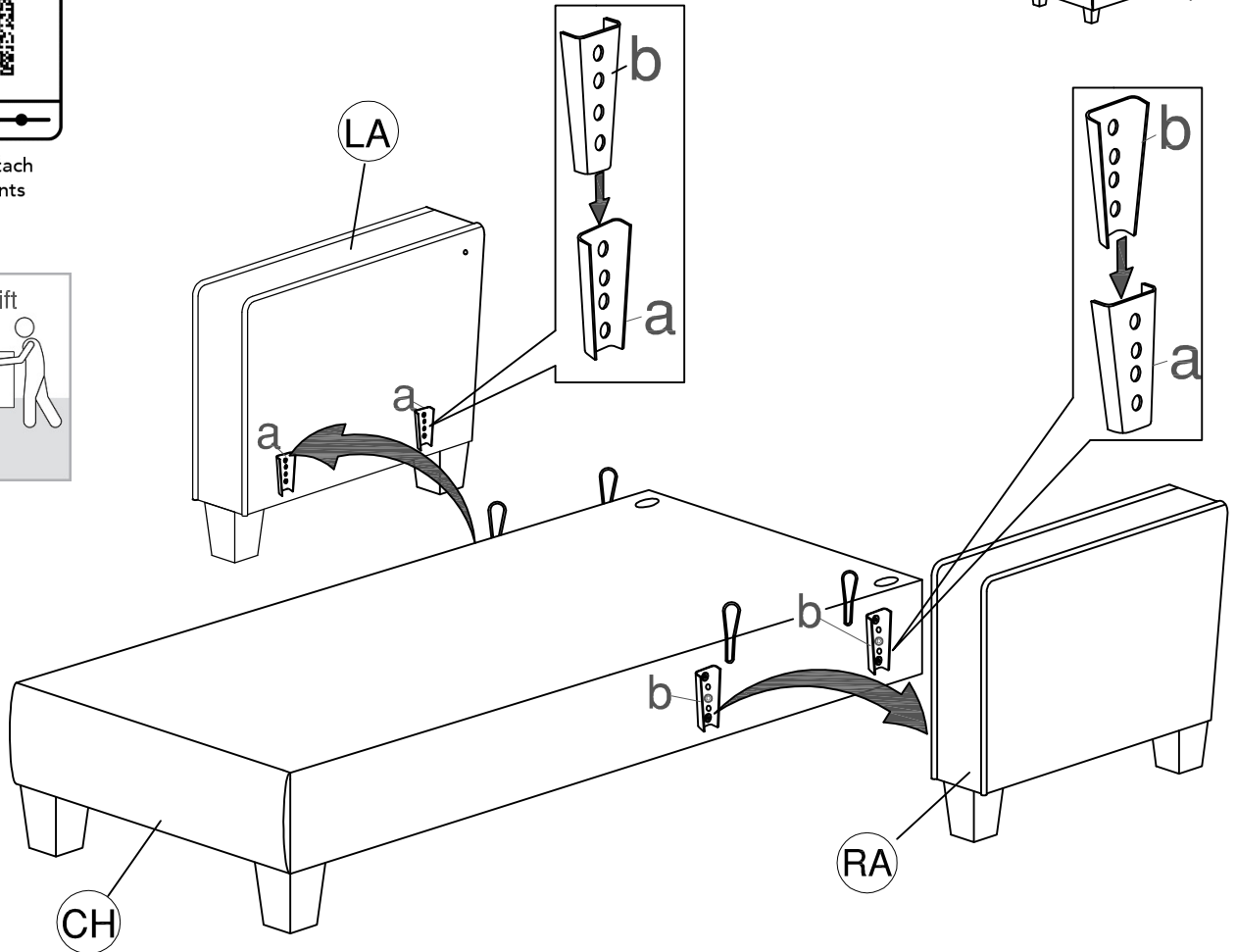
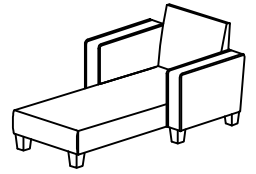
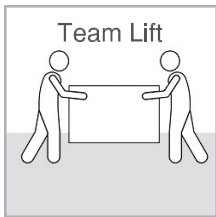


Have an assembly question or need a replacement part? Just call **1-800-950-4782**, we are here to help.

Scan QR Code to Watch Video on:



How to Attach Components



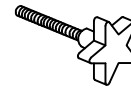
Have an assembly question or need a replacement part? Just call **1-800-950-4782**, we are here to help.

Scan QR Code to
Watch Video on:



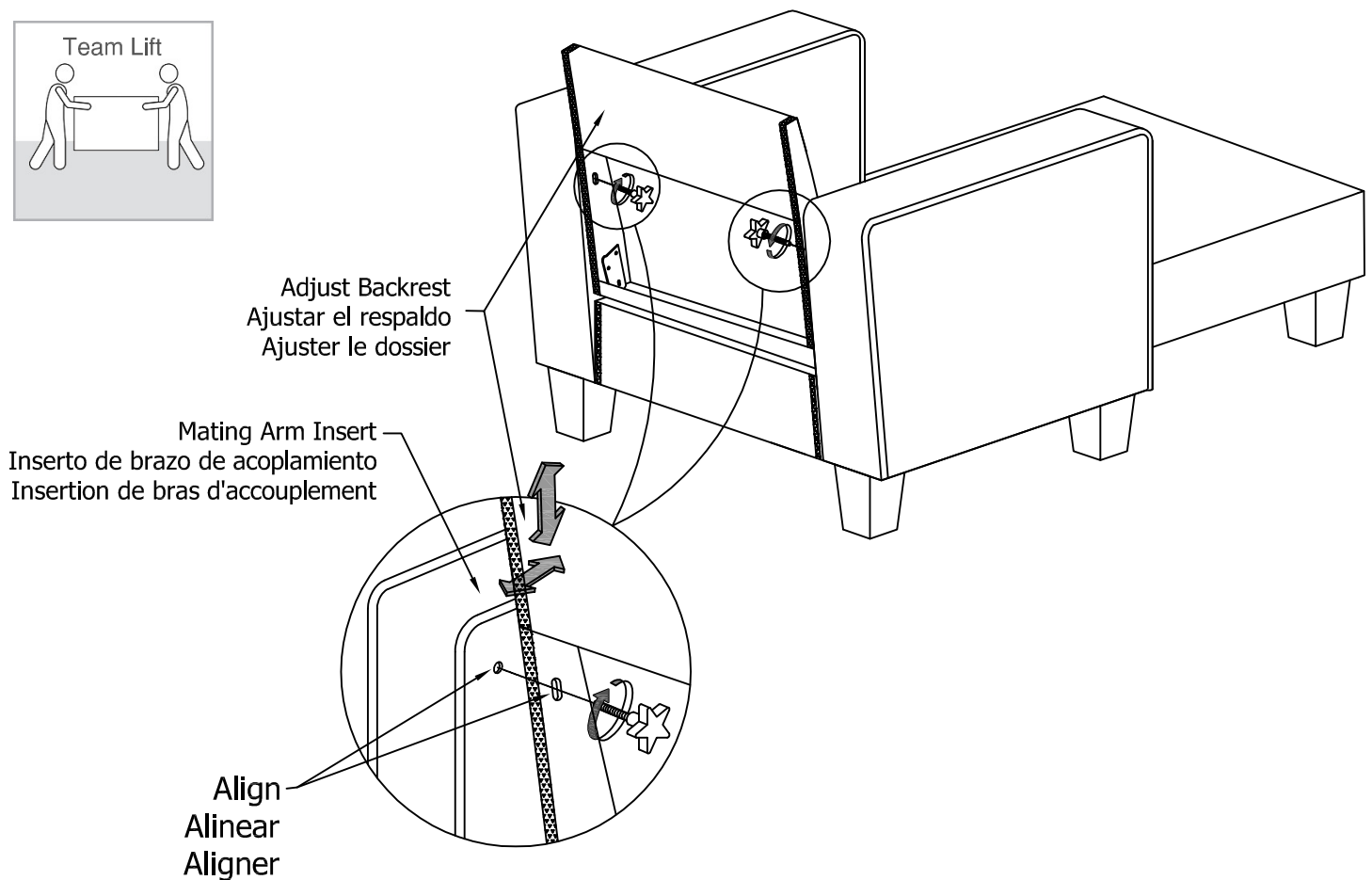
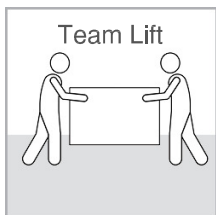
How to Secure the
Backrest

H203479



[2]

3.5"L Thumb Bolts



Adjust the position of the backrest as necessary, up and down and front to back, until the mating arm insert is aligned with the bolt. This step may take time, so don't get frustrated. A helper may be of assistance.

Ajuste la posición del respaldo según sea necesario, hacia arriba y hacia abajo y de adelante hacia atrás, hasta que el inserto del brazo de acoplamiento esté alineado con el perno. Este paso puede llevar tiempo, así que no se frustre. Un ayudante puede ser de ayuda.

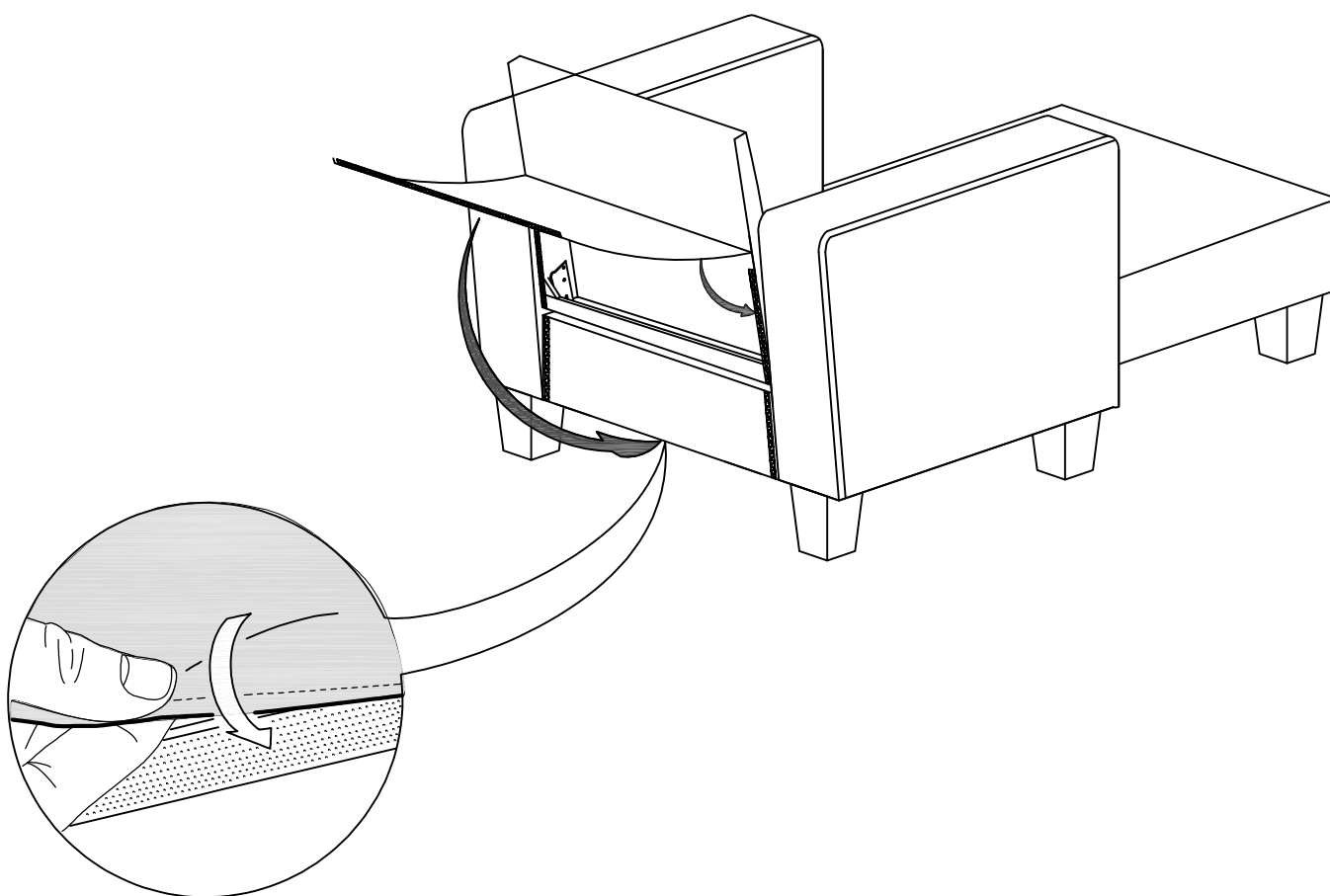
Ajustez la position du dossier si nécessaire, de haut en bas et d'avant en arrière, jusqu'à ce que l'insert du bras d'accouplement soit aligné avec le boulon. Cette étape peut prendre du temps, alors ne soyez pas frustré. Un assistant peut être utile.

Have an assembly question or need a replacement part? Just call
1-800-950-4782, we are here to help.

Scan QR Code to
Watch Video on:

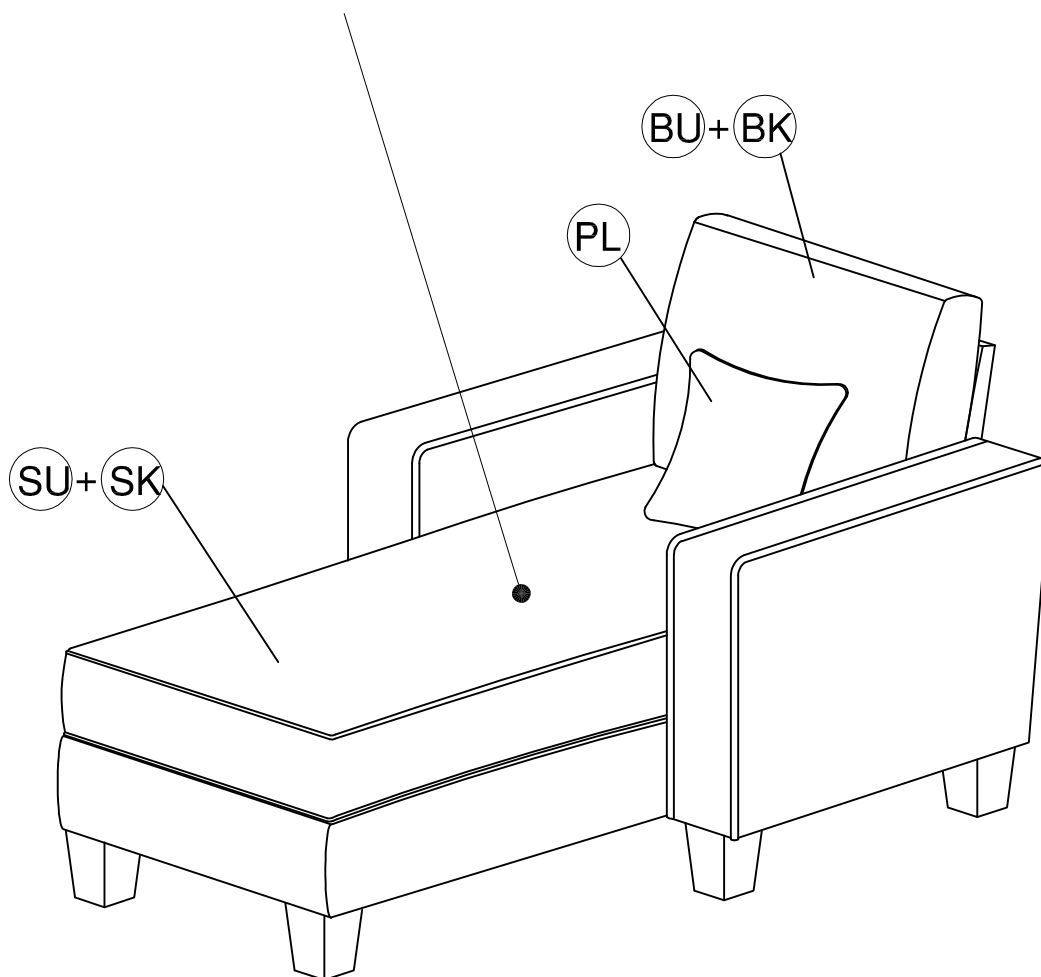


How to Secure the
Backrest



Have an assembly question or need a replacement part? Just call
1-800-950-4782, we are here to help.

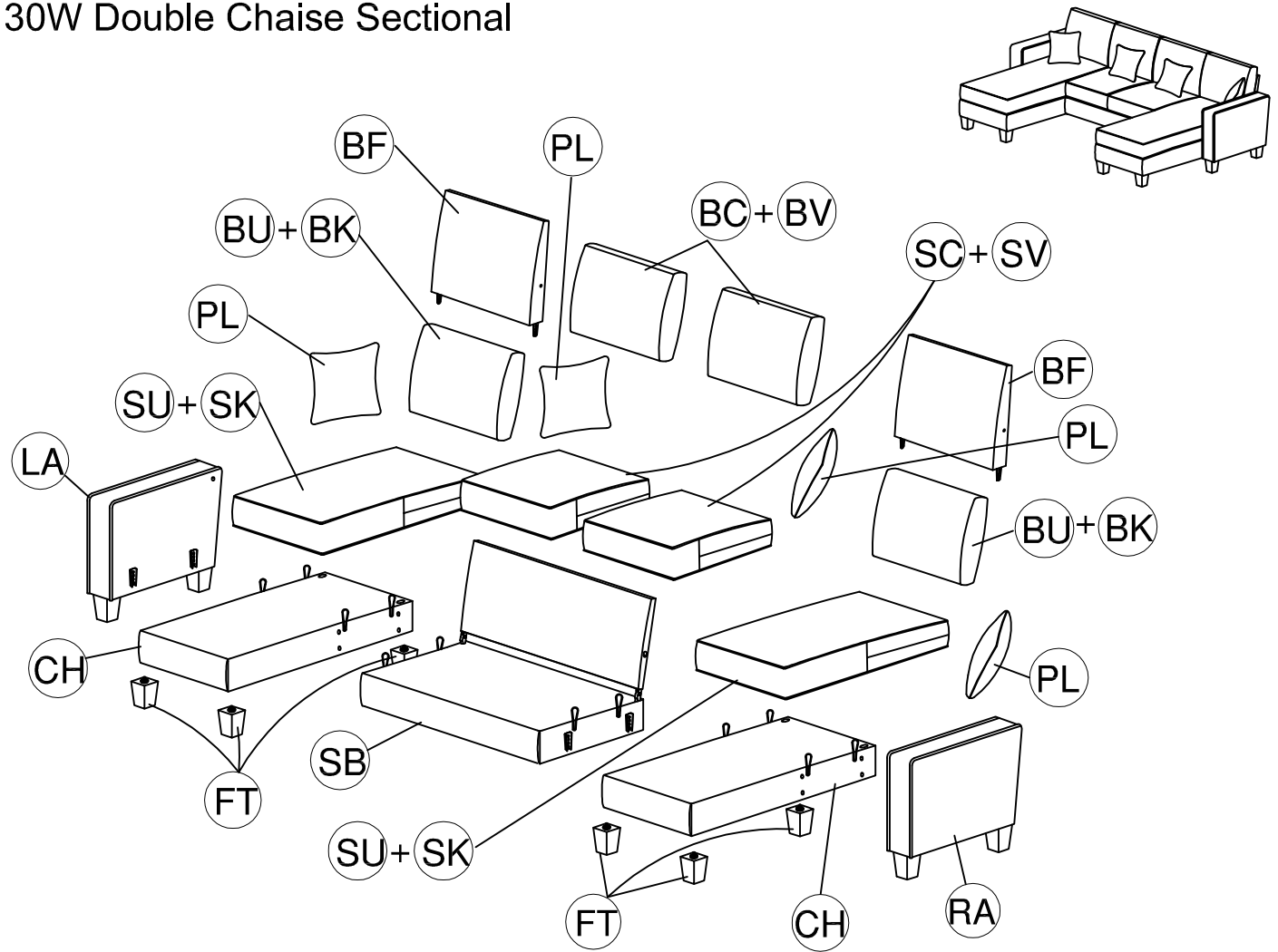
MAXIMUM WEIGHT: 275 LBS (125 KG)
PESO MÁXIMO: 275 LIBRAS (125 KILOGRAMO)
POIDS MAXIMUM: 275 LIVRES (125 KILOGRAMME)



Congratulations! You are all done. If you have any questions or concerns, please call.

Have an assembly question or need a replacement part? Just call **1-800-950-4782**, we are here to help.

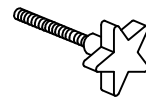
130W Double Chaise Sectional



HARDWARE

Hardware not to scale.

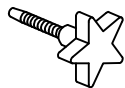
H203479



[4]

3.5"L Thumb Bolts

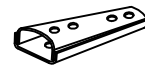
H202409



[2]

2.5"L Thumb Bolts

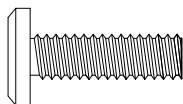
H202412



[8]

Bracket

H203745



[16]

1/4" x3/4"

H189112



[4]

Washer

H203480



[4]

5/16" Butterfly Nut

H145867



[1]

4mm Allen Wrench

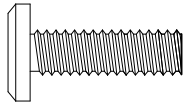
Have an assembly question or need a replacement part? Just call
1-800-950-4782, we are here to help.

Scan QR Code to Watch Video on:



How to Attach the Chaise Brackets

H203745



1/4" x3/4"

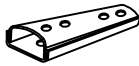
[16]



FT

[6]

H202412



Bracket

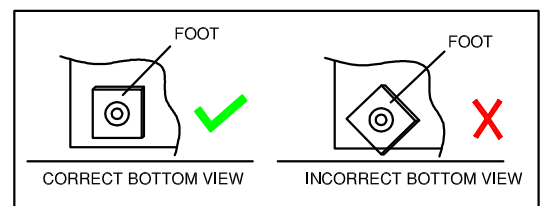
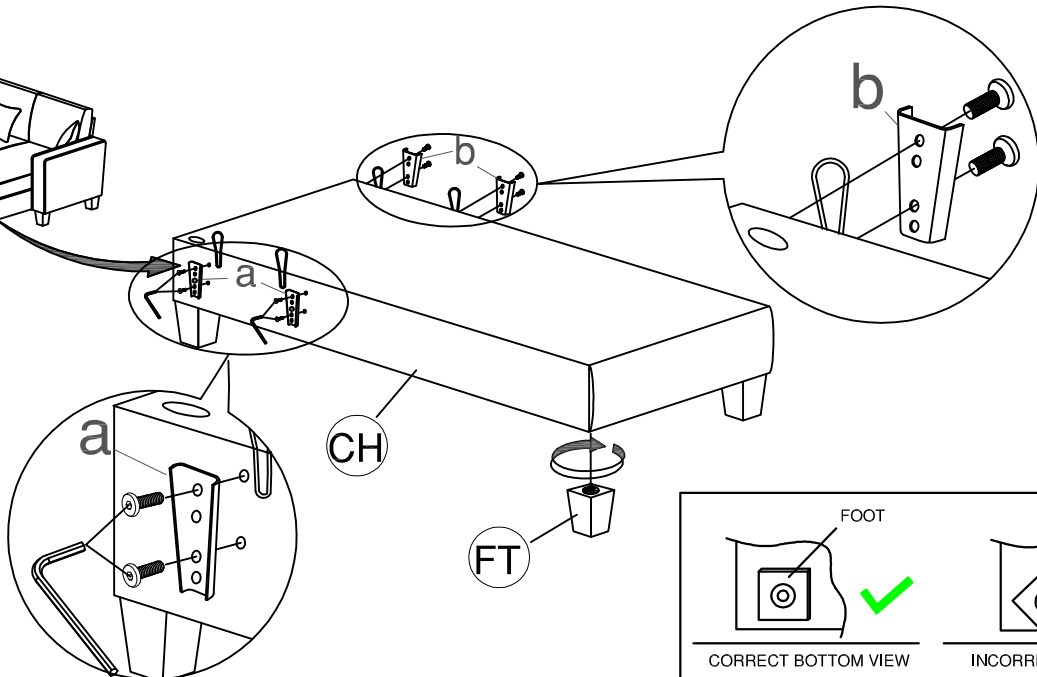
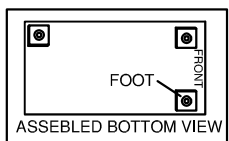
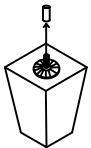
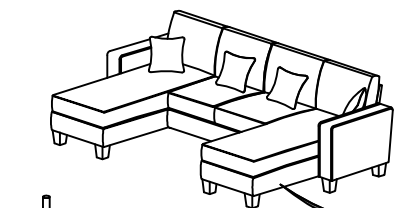
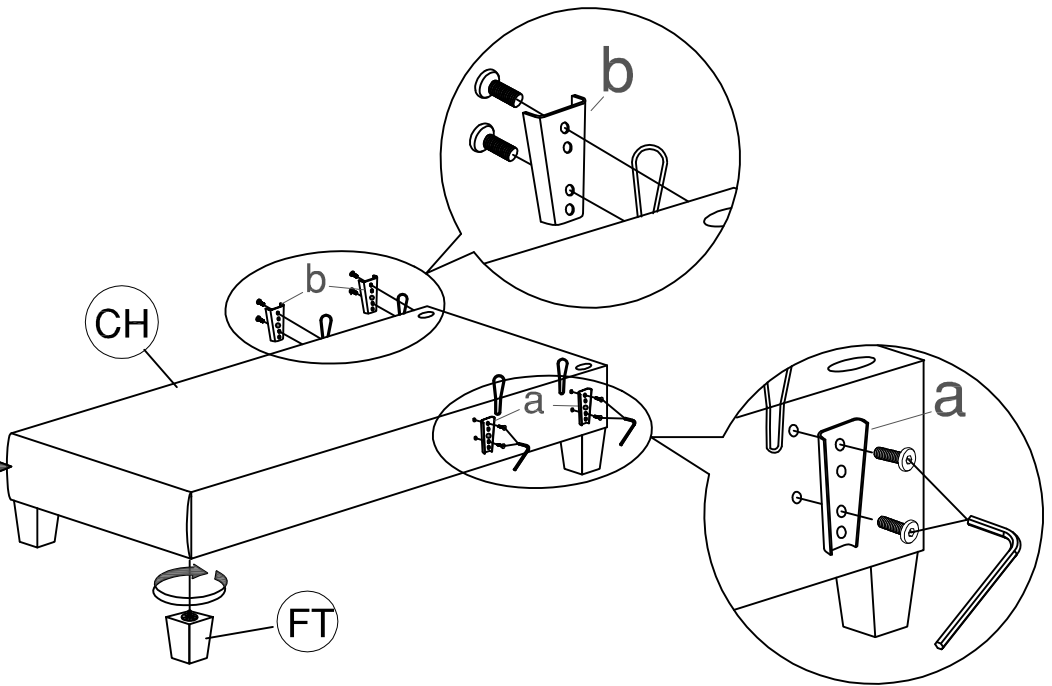
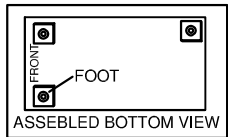
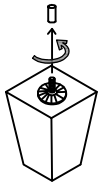
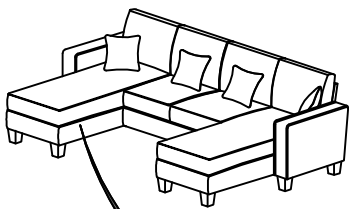
[8]

H145867



4mm Allen Wrench

[1]

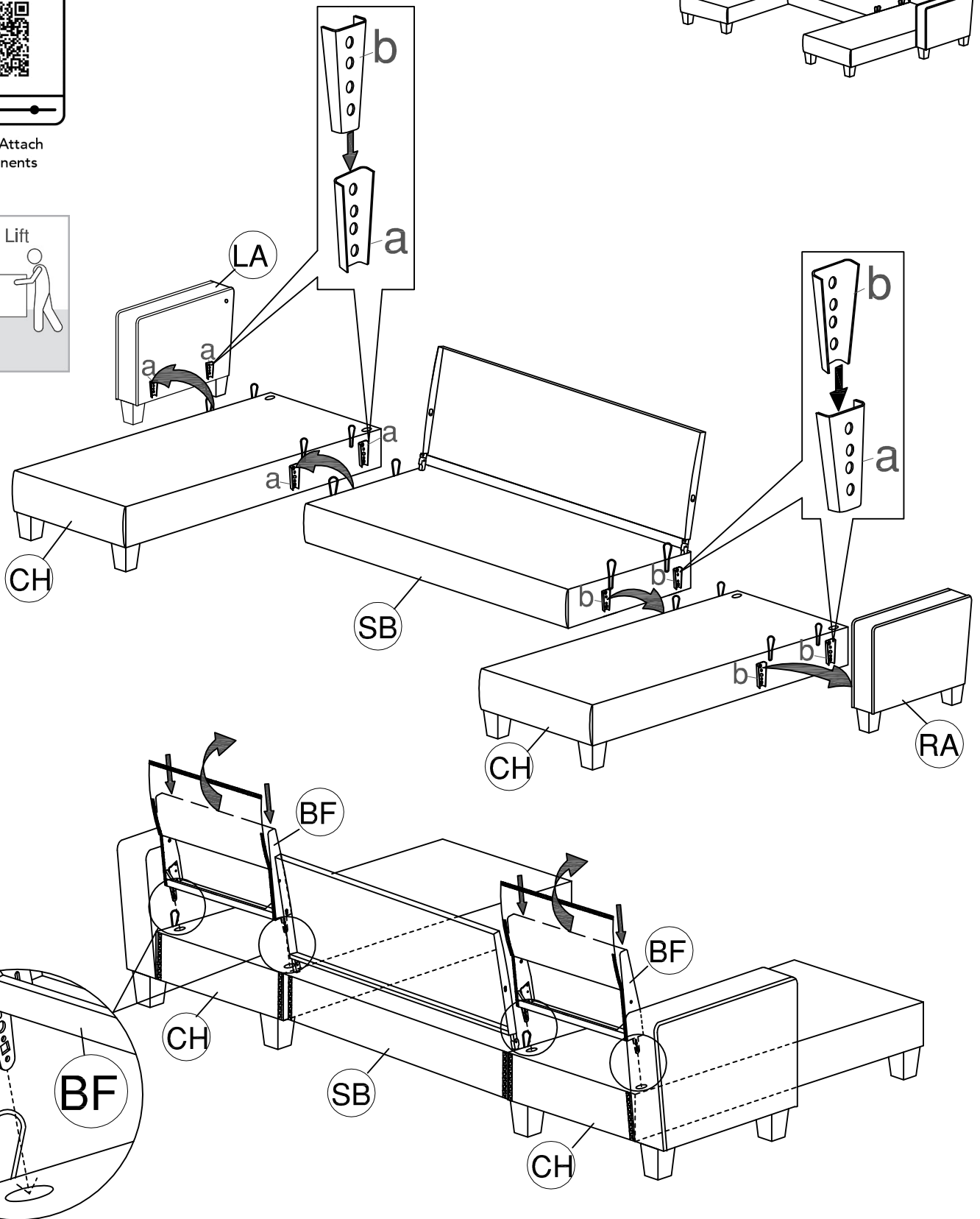
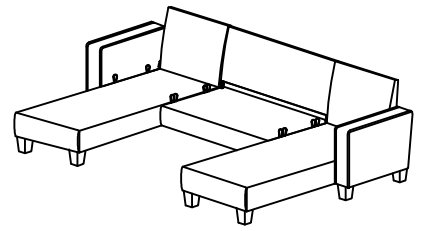
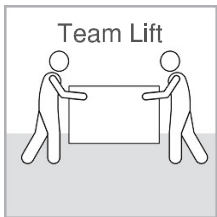


Have an assembly question or need a replacement part? Just call **1-800-950-4782**, we are here to help.

Scan QR Code to Watch Video on:



How to Attach Components



Have an assembly question or need a replacement part? Just call **1-800-950-4782**, we are here to help.

Scan QR Code to Watch Video on:



How to Secure the Backrest

H189112



Washer

[2]

H202409



2.5"L Thumb Bolts

[2]

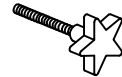
H203480



5/16" Butterfly Nut

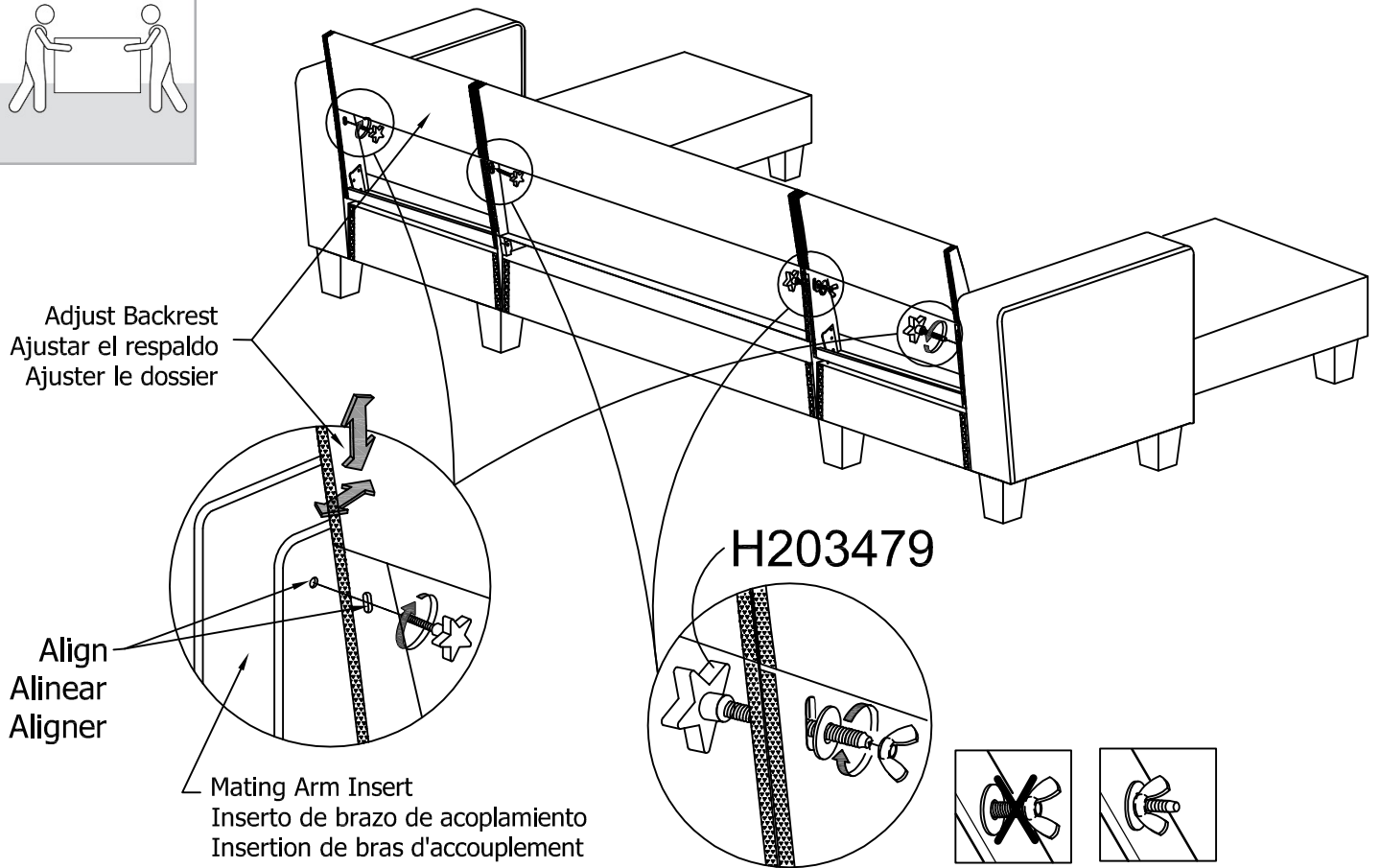
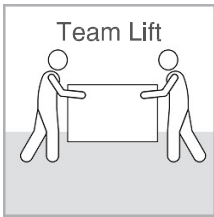
[2]

H203479



3.5"L Thumb Bolts

[2]



Adjust Backrest
Ajustar el respaldo
Ajuster le dossier

Align
Alinear
Aligner

Mating Arm Insert
Inserto de brazo de acoplamiento
Insertion de bras d'accouplement

H203479

Adjust the position of the backrest as necessary, up and down and front to back, until the mating arm insert is aligned with the bolt. This step may take time, so don't get frustrated. A helper may be of assistance.

Ajuste la posición del respaldo según sea necesario, hacia arriba y hacia abajo y de adelante hacia atrás, hasta que el inserto del brazo de acoplamiento esté alineado con el perno. Este paso puede llevar tiempo, así que no se frustre. Un ayudante puede ser de ayuda.

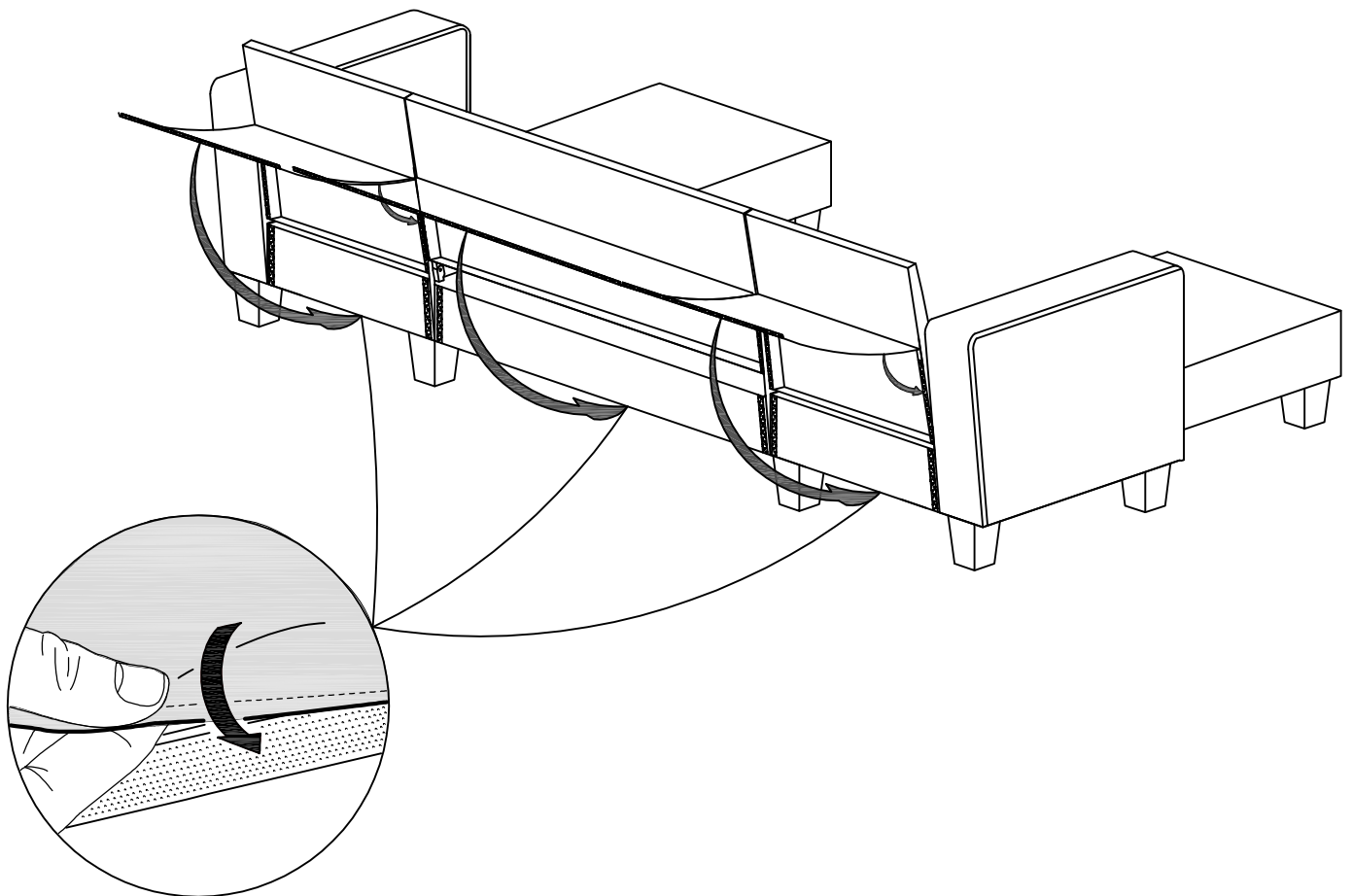
Ajustez la position du dossier si nécessaire, de haut en bas et d'avant en arrière, jusqu'à ce que l'insert du bras d'accouplement soit aligné avec le boulon. Cette étape peut prendre du temps, alors ne soyez pas frustré. Un assistant peut être utile.

Have an assembly question or need a replacement part? Just call **1-800-950-4782**, we are here to help.

Scan QR Code to
Watch Video on:

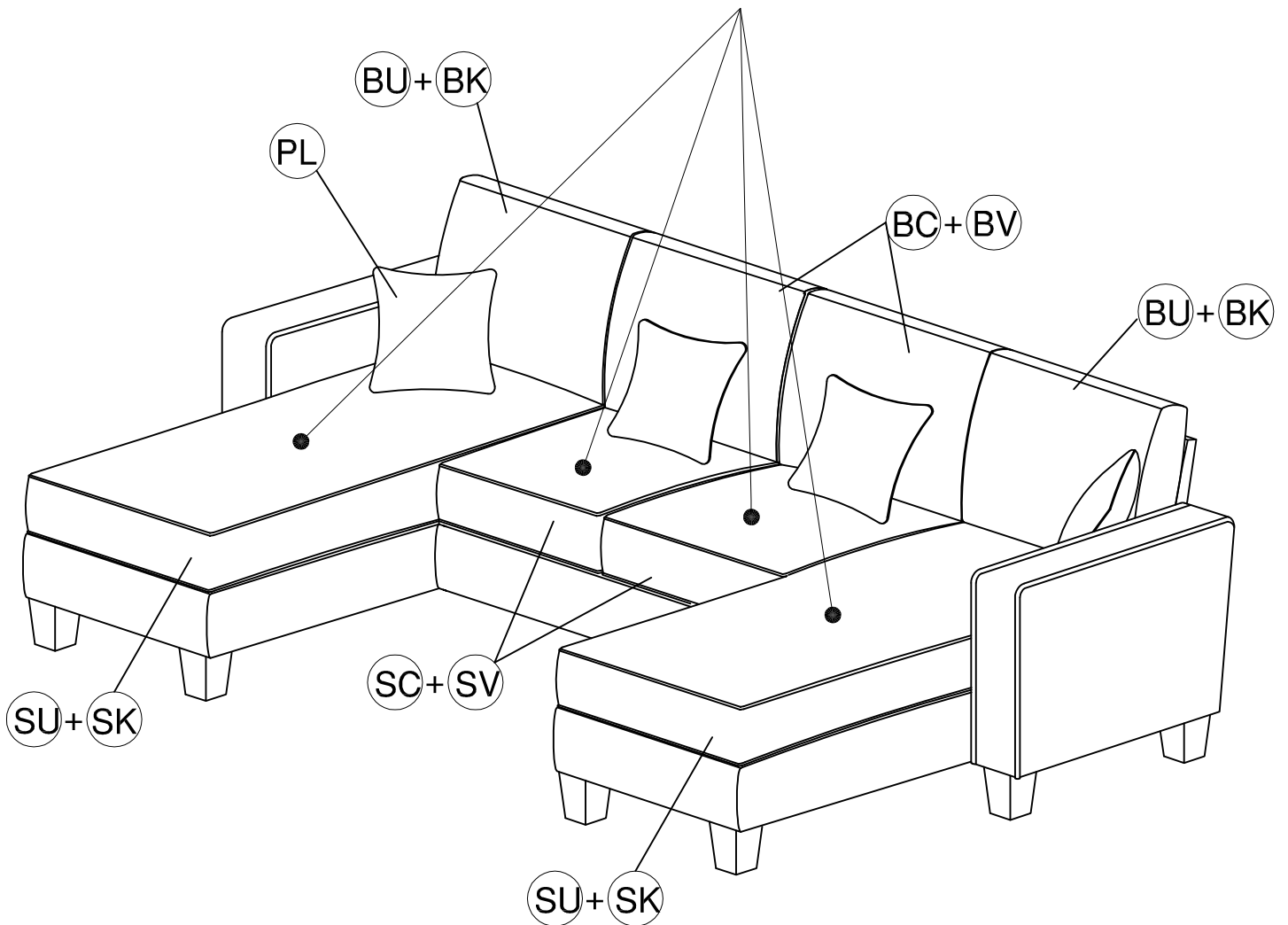


How to Secure the
Backrest



Have an assembly question or need a replacement part? Just call
1-800-950-4782, we are here to help.

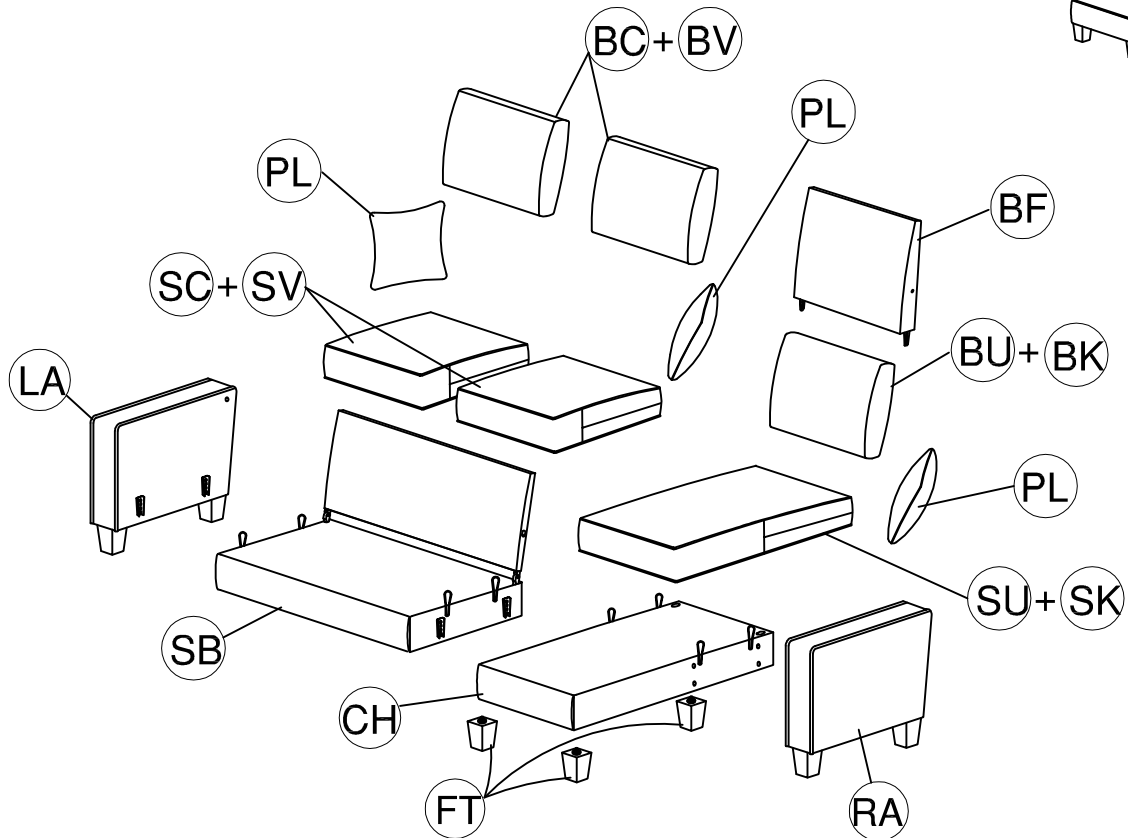
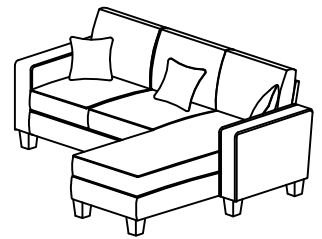
MAXIMUM WEIGHT: 275 LBS (125 KG)
PESO MÁXIMO: 275 LIBRAS (125 KILOGRAMO)
POIDS MAXIMUM: 275 LIVRES (125 KILOGRAMME)



Congratulations! You are all done. If you have any questions or concerns, please call.

Have an assembly question or need a replacement part? Just call **1-800-950-4782**, we are here to help.

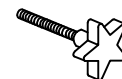
102W Reversible Chaise Sectional



HARDWARE

Hardware not to scale.

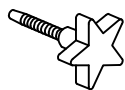
H203479



[2]

3.5"L Thumb Bolts

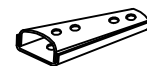
H202409



[2]

2.5"L Thumb Bolts

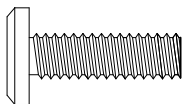
H202412



[4]

Bracket

H203745



[8]

1/4" x3/4"

H189112



[2]

Washer

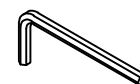
H203480



[2]

5/16" Butterfly Nut

H145867



[1]

4mm Allen Wrench

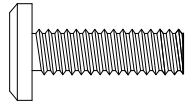
Have an assembly question or need a replacement part? Just call
1-800-950-4782, we are here to help.

Scan QR Code to Watch Video on:



How to Attach the Chaise Brackets

H203745



[8]

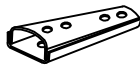
1/4" x3/4"



[3]

FT

H202412



[4]

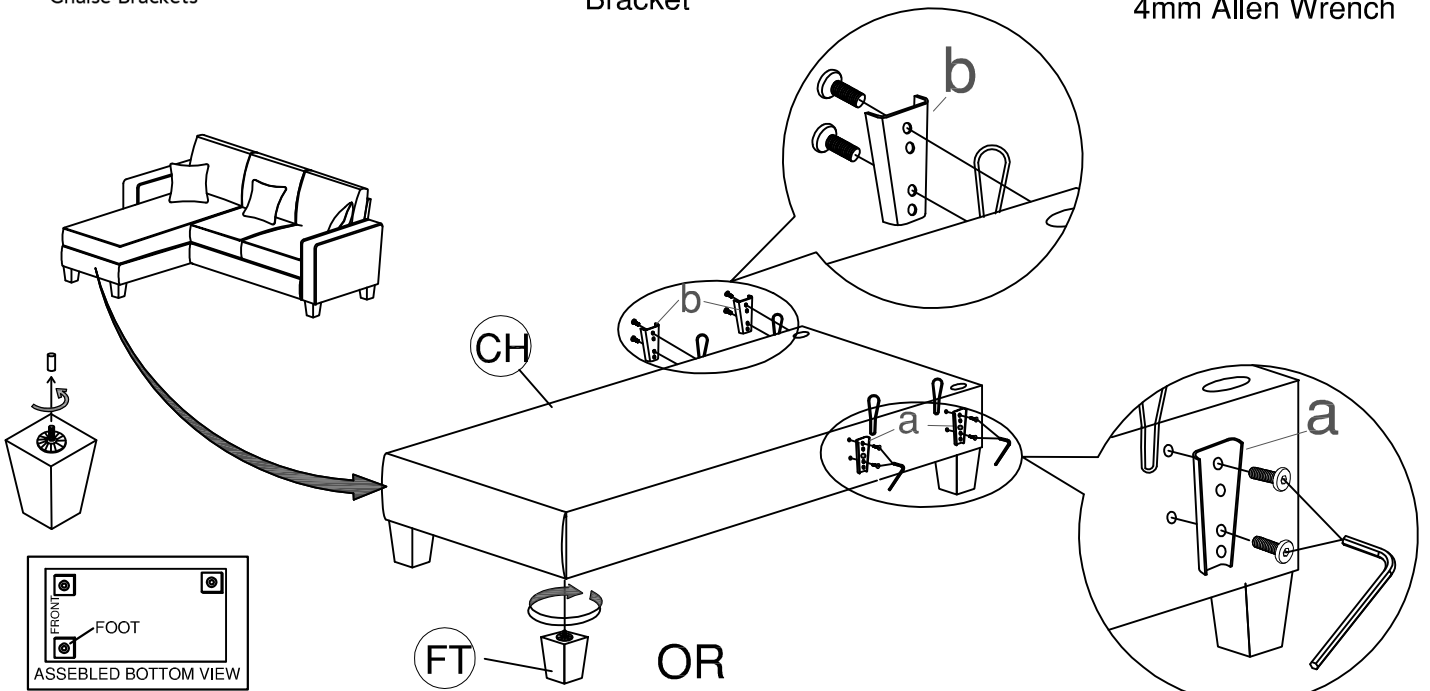
Bracket

H145867

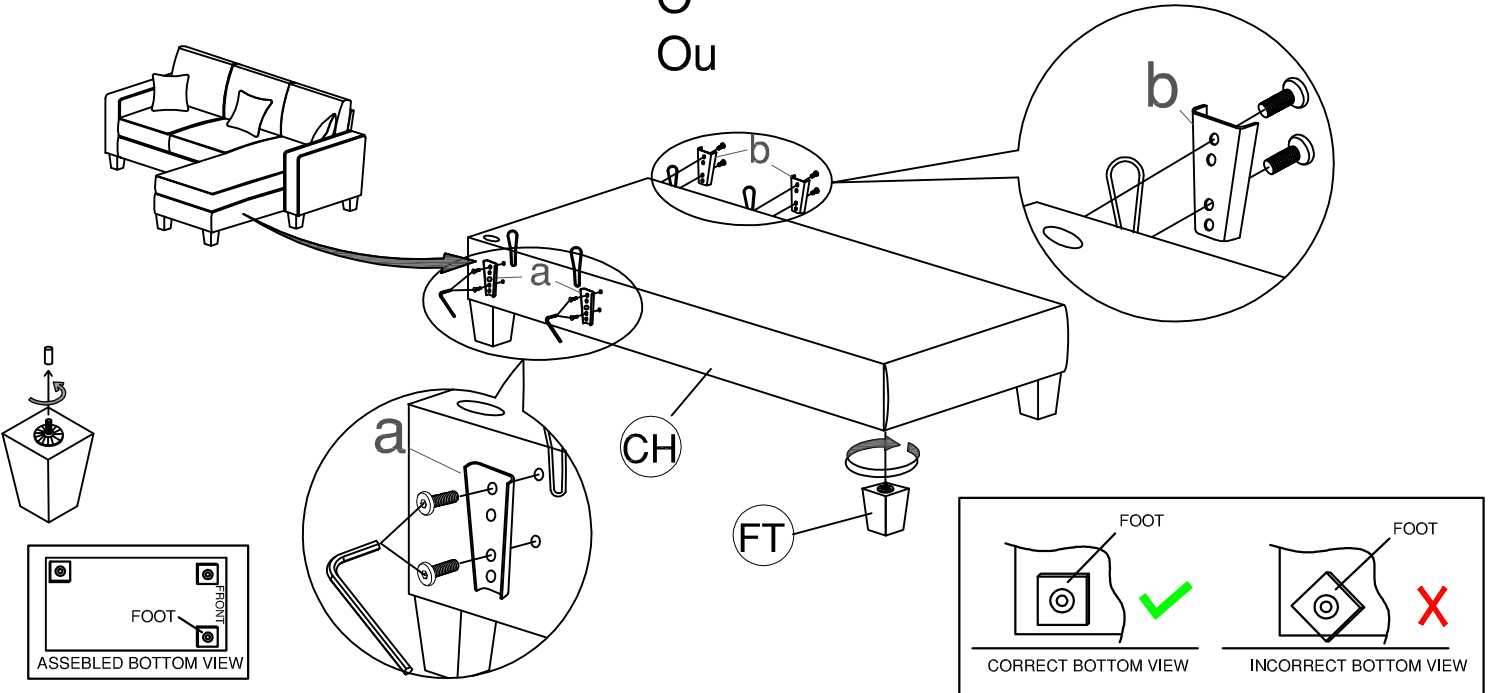


[1]

4mm Allen Wrench



OR
Ou

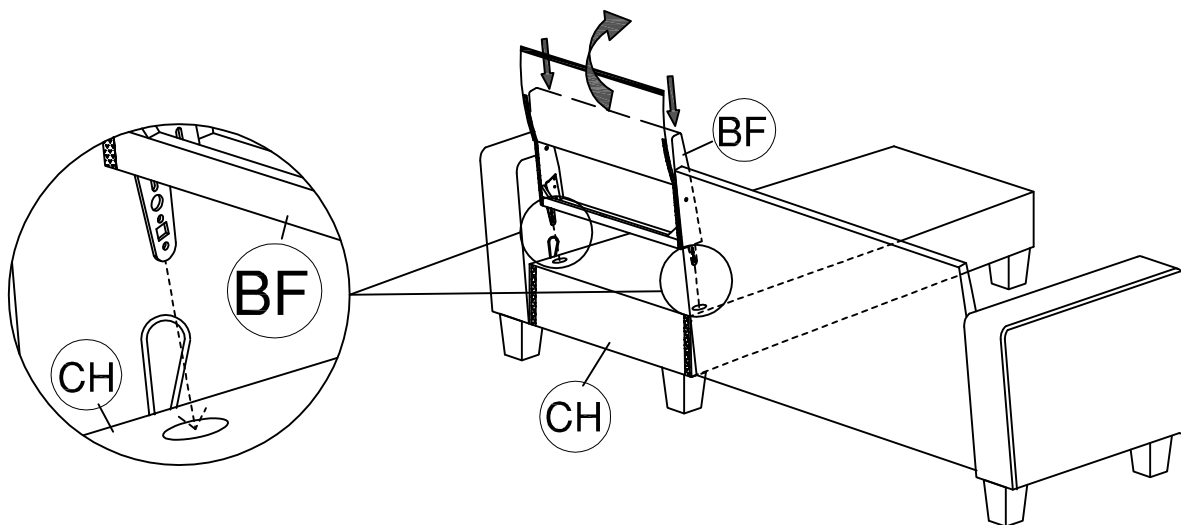
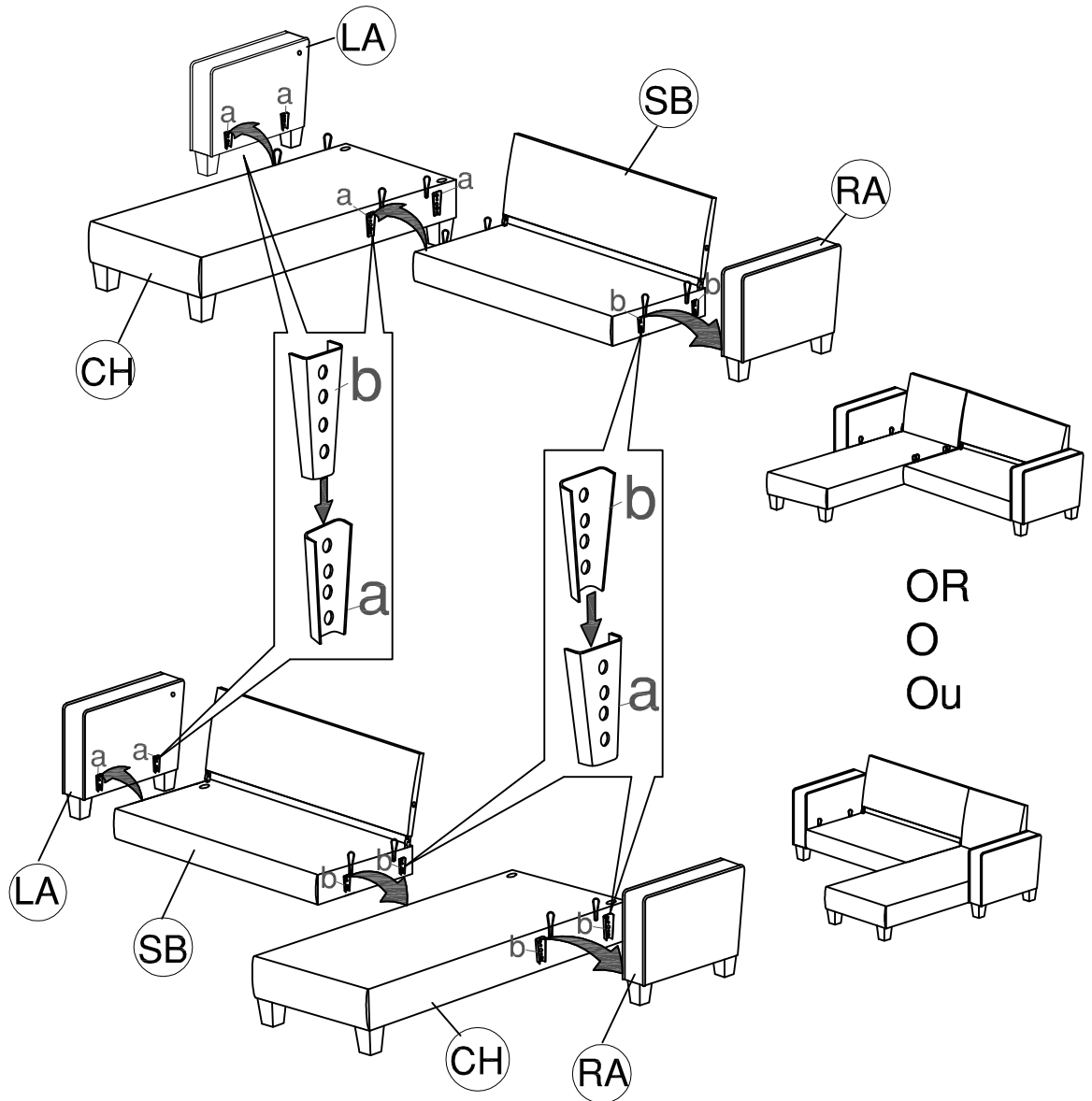
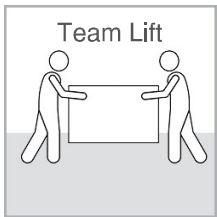


Have an assembly question or need a replacement part? Just call **1-800-950-4782**, we are here to help.

Scan QR Code to Watch Video on:



How to Attach Components



Have an assembly question or need a replacement part? Just call **1-800-950-4782**, we are here to help.

Scan QR Code to Watch Video on:



How to Secure the Backrest

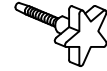
H189112



Washer

[1]

H202409



2.5"L Thumb Bolts

[2]

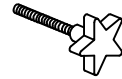
H203480



5/16" Butterfly Nut

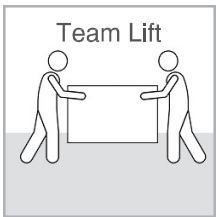
[1]

H203479



3.5"L Thumb Bolts

[1]

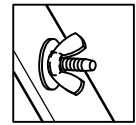
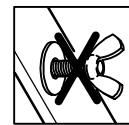


Adjust Backrest
Ajustar el respaldo
Ajuster le dossier

Align
Alinear
Aligner

Mating Arm Insert
Inserto de brazo de acoplamiento
Insertion de bras d'accouplement

H203479



Adjust the position of the backrest as necessary, up and down and front to back, until the mating arm insert is aligned with the bolt. This step may take time, so don't get frustrated. A helper may be of assistance.

Ajuste la posición del respaldo según sea necesario, hacia arriba y hacia abajo y de adelante hacia atrás, hasta que el inserto del brazo de acoplamiento esté alineado con el perno. Este paso puede llevar tiempo, así que no se frustre. Un ayudante puede ser de ayuda.

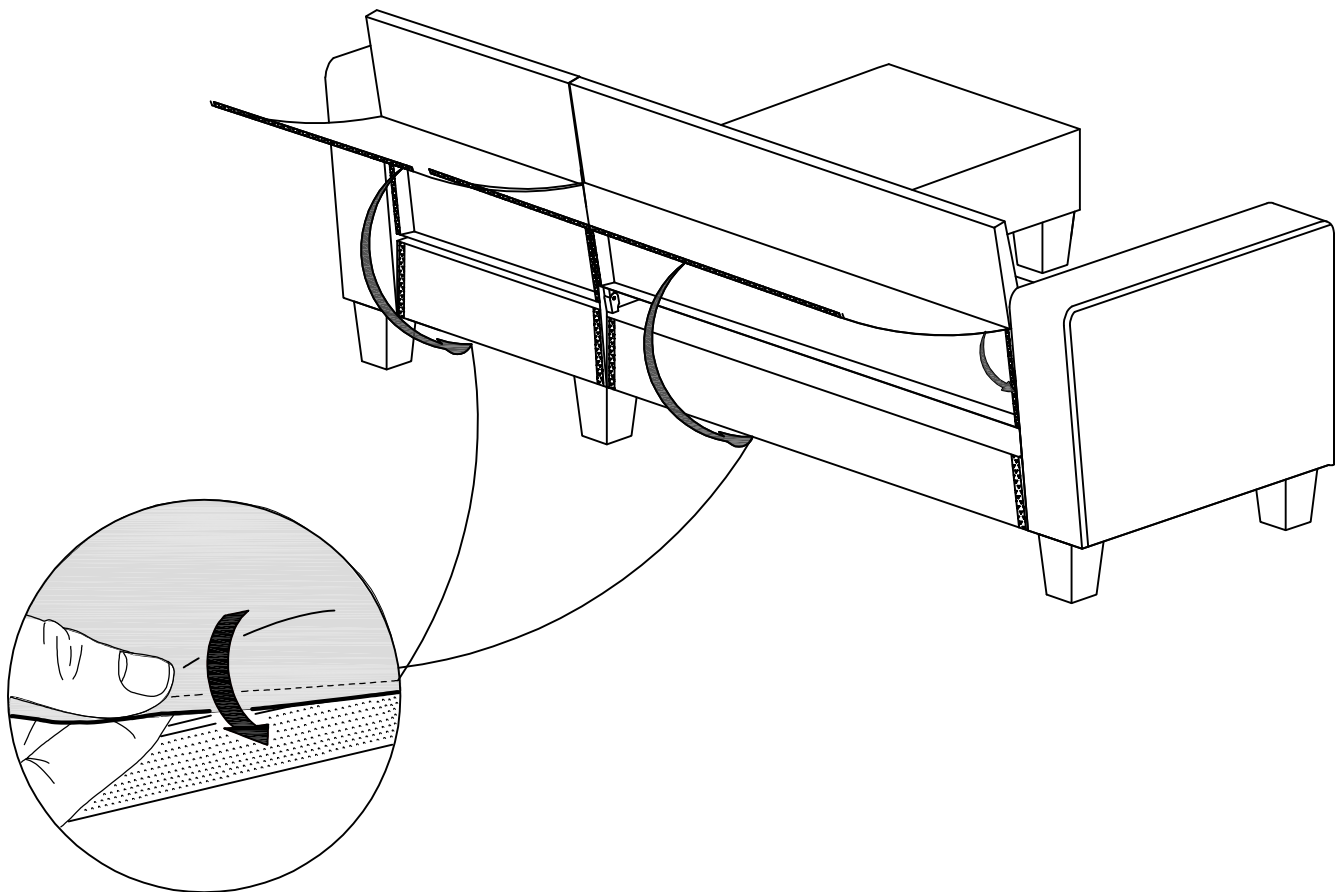
Ajustez la position du dossier si nécessaire, de haut en bas et d'avant en arrière, jusqu'à ce que l'insert du bras d'accouplement soit aligné avec le boulon. Cette étape peut prendre du temps, alors ne soyez pas frustré. Un assistant peut être utile.

Have an assembly question or need a replacement part? Just call
1-800-950-4782, we are here to help.

Scan QR Code to
Watch Video on:

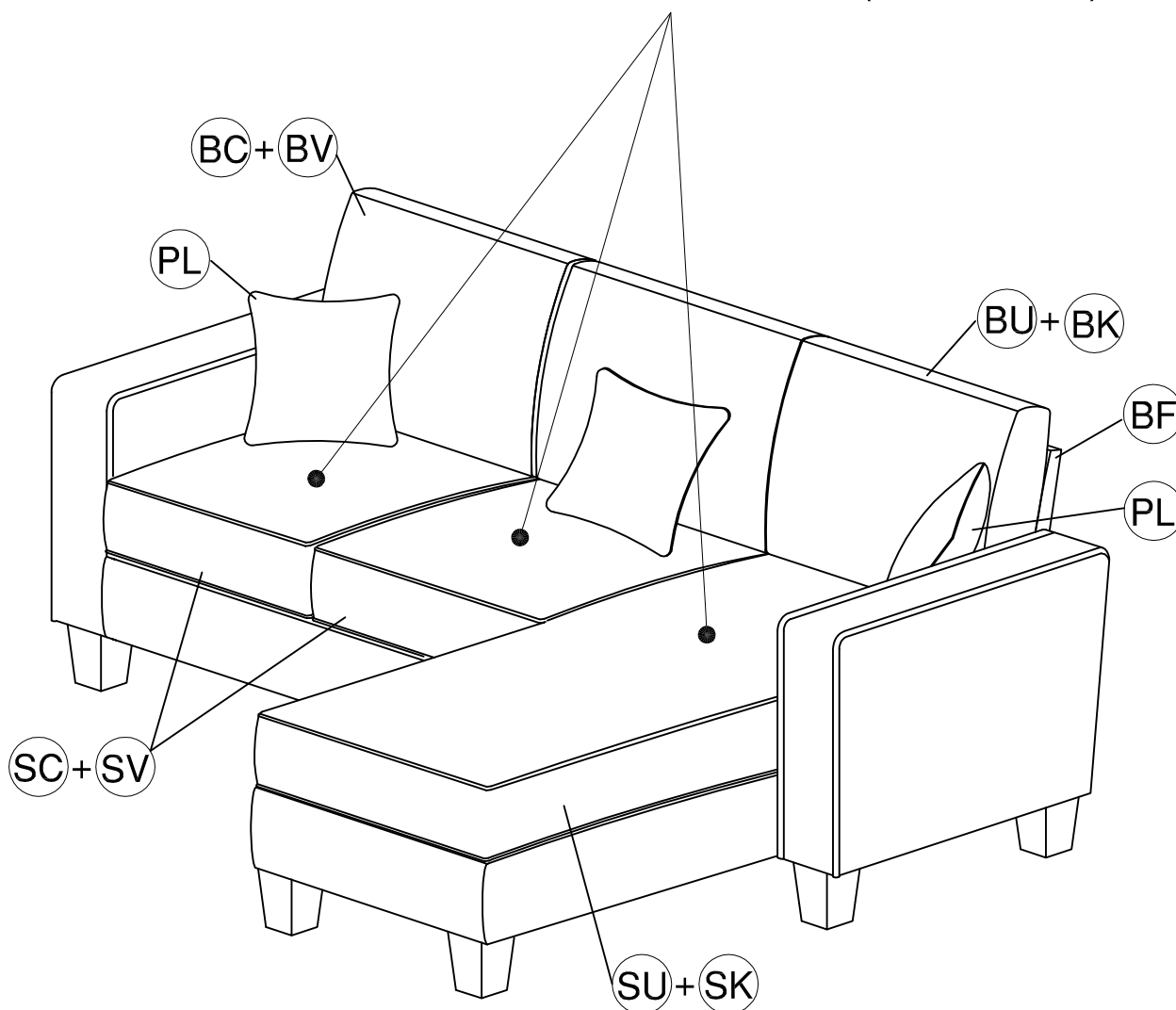


How to Secure the
Backrest



Have an assembly question or need a replacement part? Just call
1-800-950-4782, we are here to help.

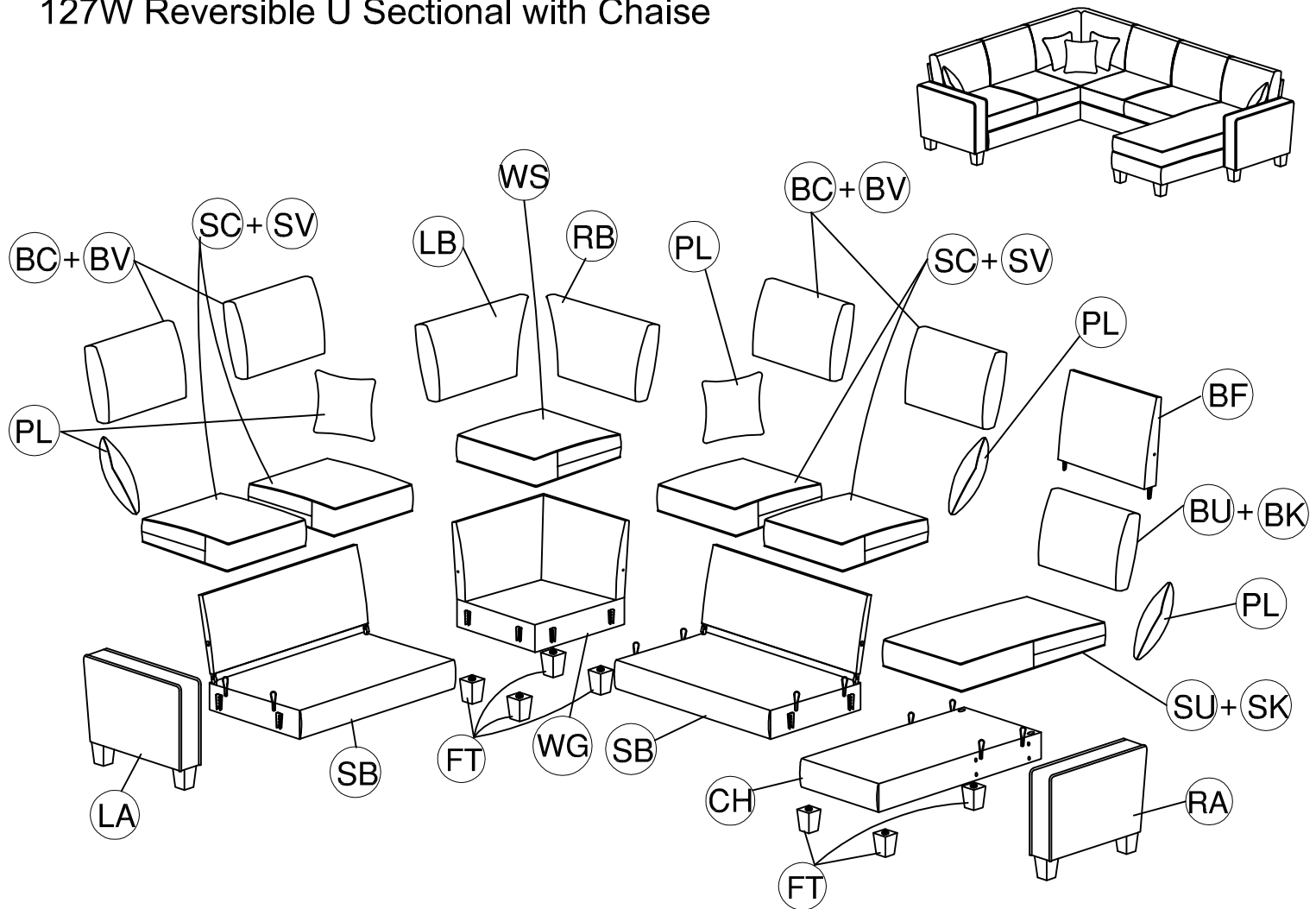
MAXIMUM WEIGHT: 275 LBS (125 KG)
PESO MÁXIMO: 275 LIBRAS (125 KILOGRAMO)
POIDS MAXIMUM: 275 LIVRES (125 KILOGRAMME)



Congratulations! You are all done. If you have any questions or concerns, please call.

Have an assembly question or need a replacement part? Just call
1-800-950-4782, we are here to help.

127W Reversible U Sectional with Chaise

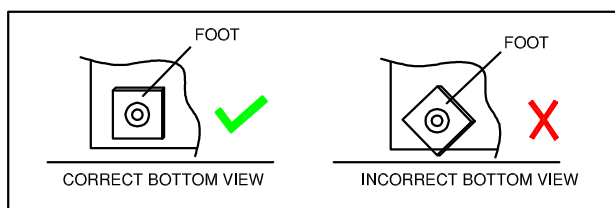
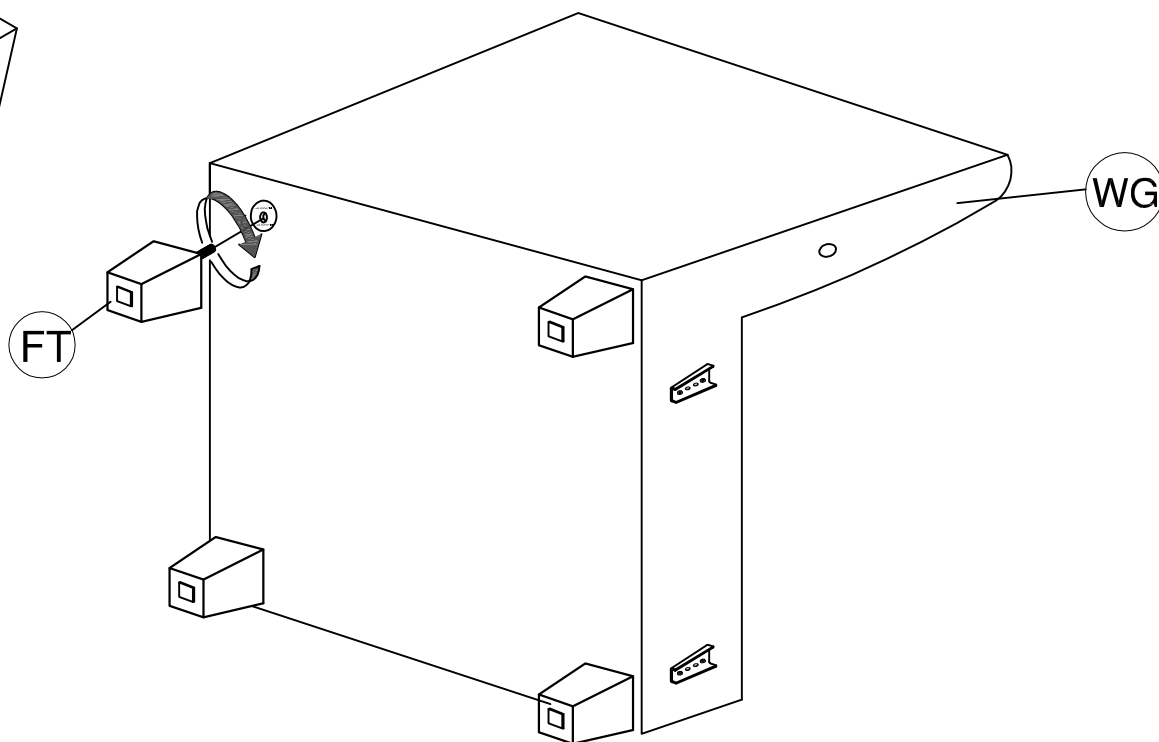
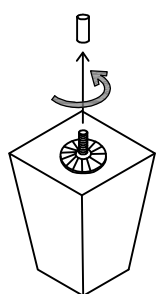


HARDWARE

Hardware not to scale.

H202409		[4]	H203479		[2]
	2.5"L Thumb Bolts			3.5"L Thumb Bolts	
H203745		[8]	H202412		[4]
	1/4" x3/4"			Bracket	
H203480		[2]	H189112		[2]
	5/16" Butterfly Nut			Washer	
			H145867		[1]
				4mm Allen Wrench	

Have an assembly question or need a replacement part? Just call
1-800-950-4782, we are here to help.



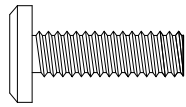
Have an assembly question or need a replacement part? Just call **1-800-950-4782**, we are here to help.

Scan QR Code to Watch Video on:



How to Attach the Chaise Brackets

H203745



[8]

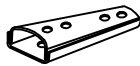
1/4" x3/4"



[3]

FT

H202412



[4]

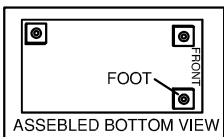
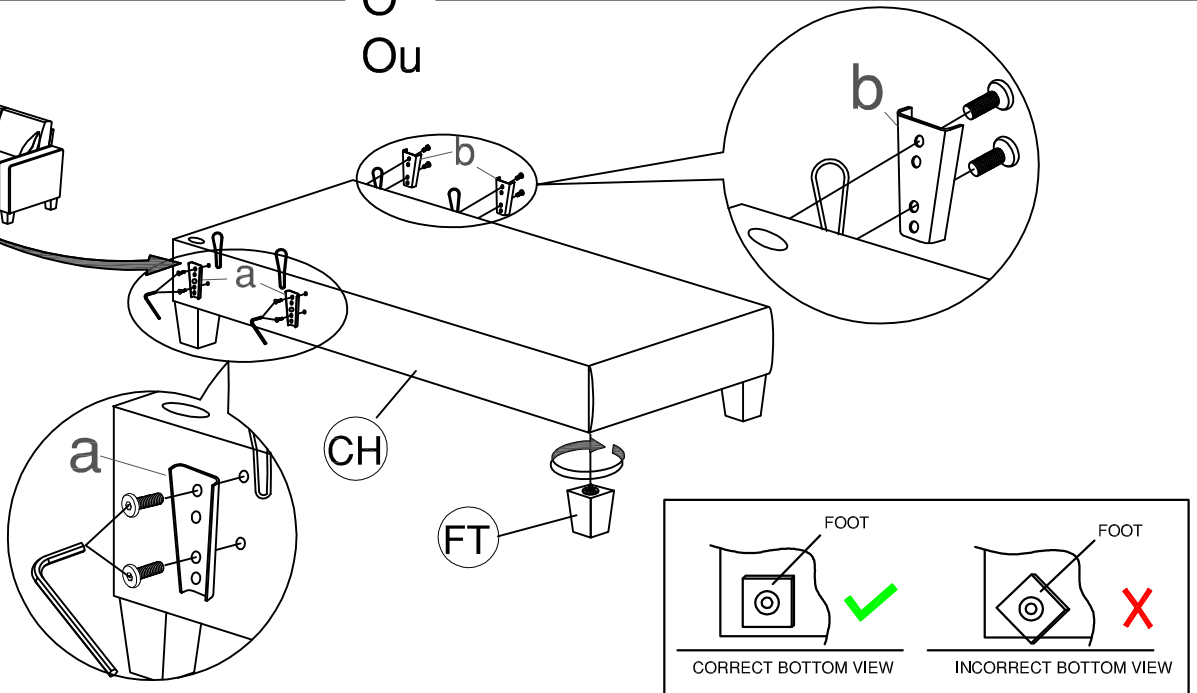
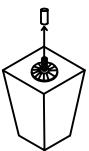
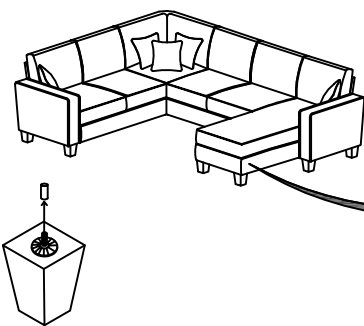
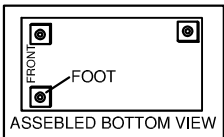
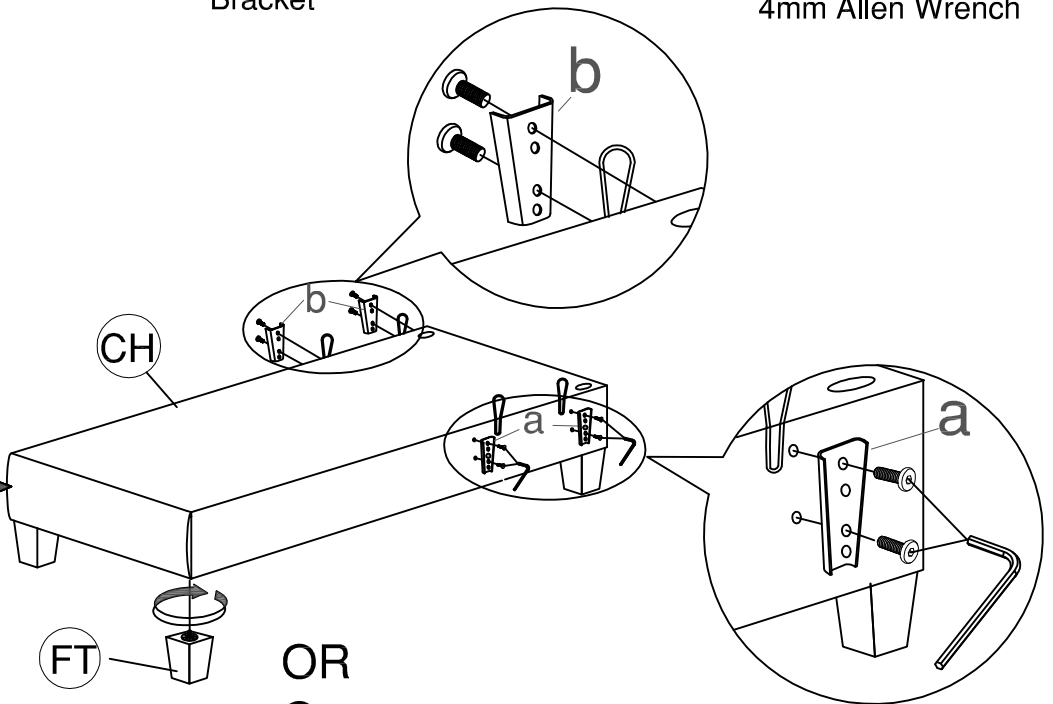
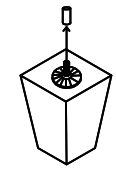
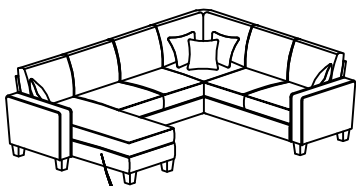
Bracket

H145867



[1]

4mm Allen Wrench

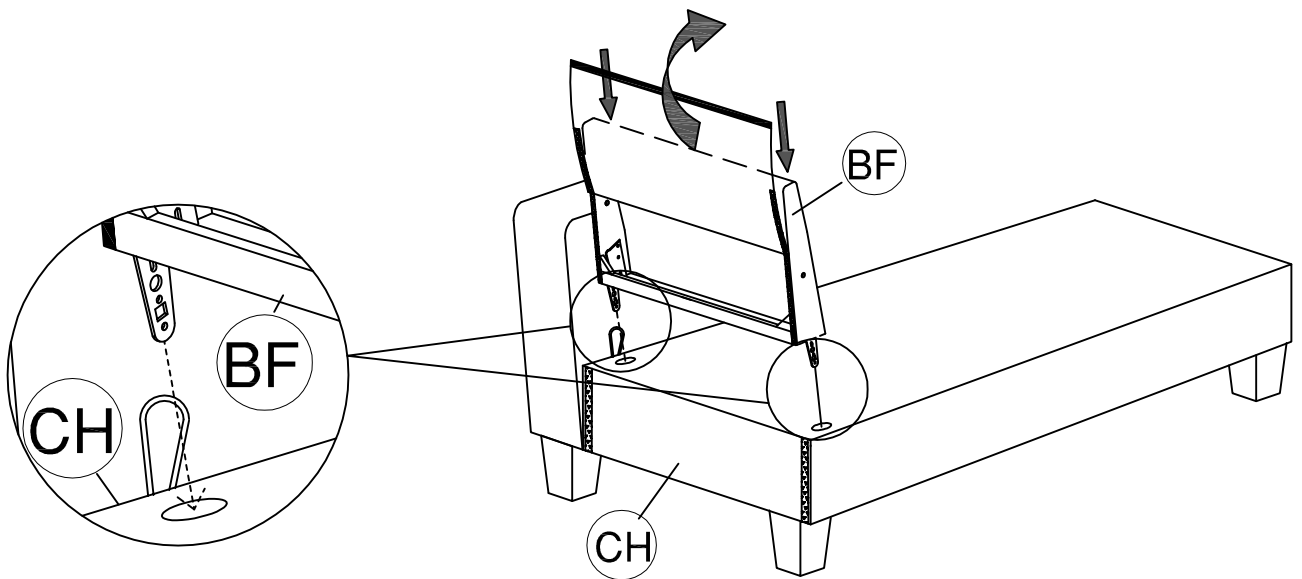
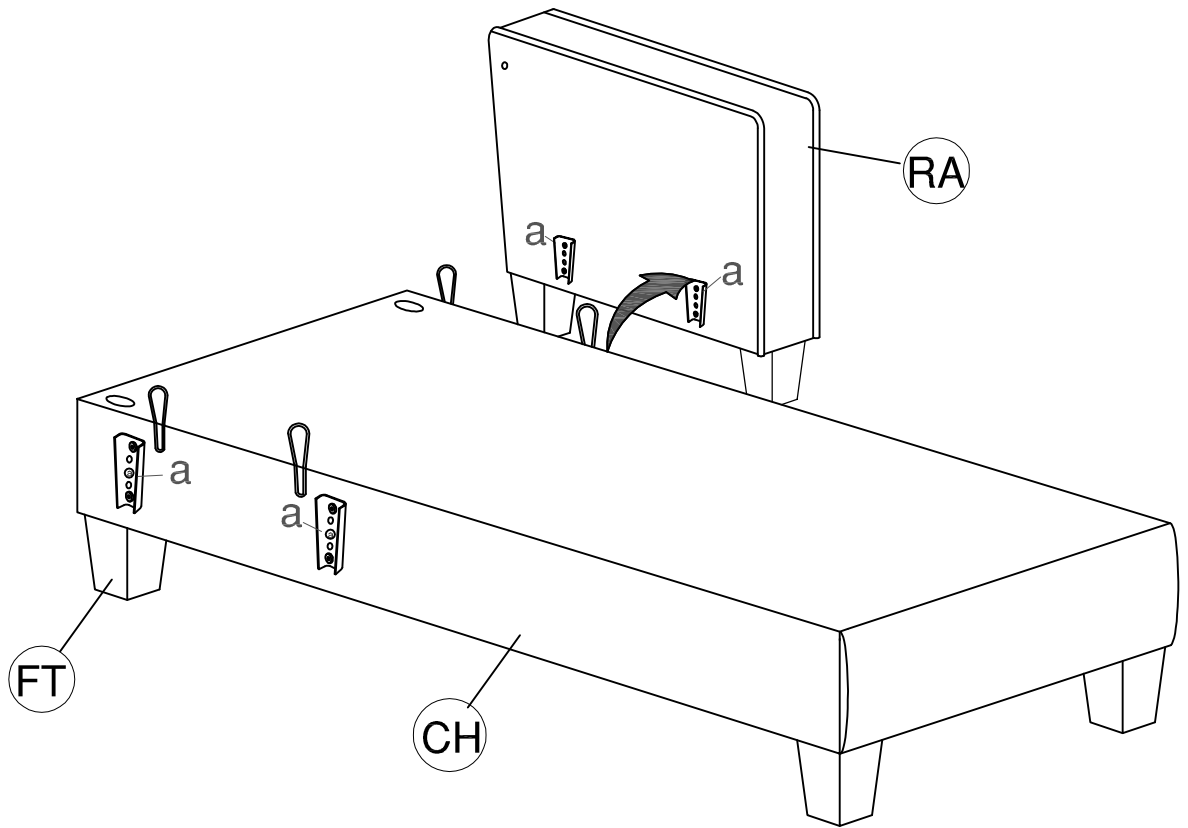
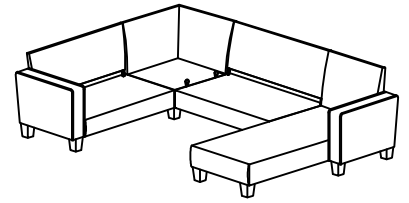
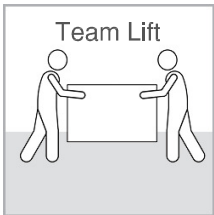


Have an assembly question or need a replacement part? Just call 1-800-950-4782, we are here to help.

Scan QR Code to Watch Video on:



How to Attach Components

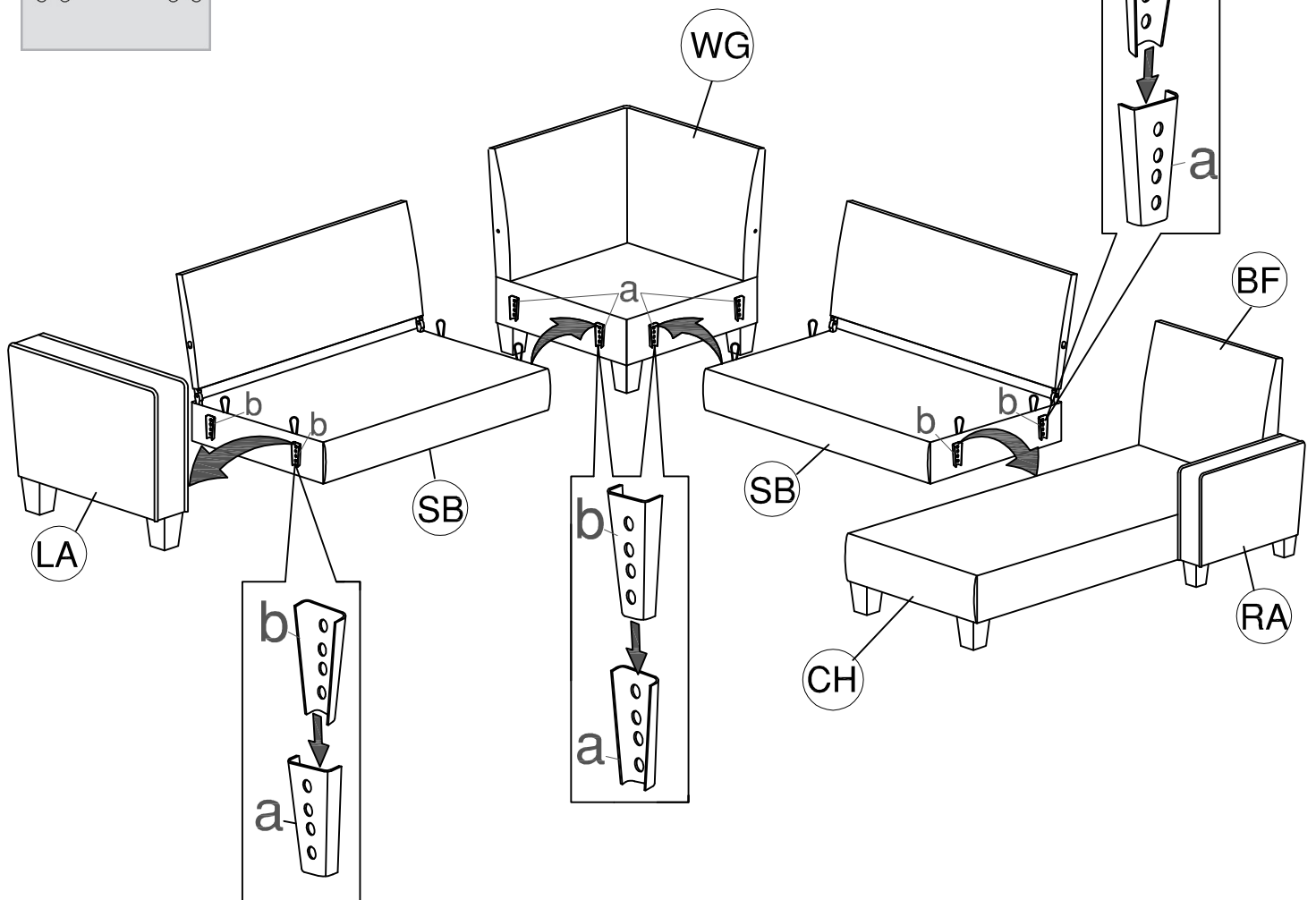
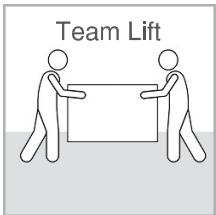
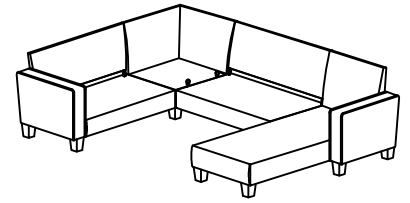


Have an assembly question or need a replacement part? Just call **1-800-950-4782**, we are here to help.

Scan QR Code to Watch Video on:



How to Attach Components



Have an assembly question or need a replacement part? Just call **1-800-950-4782**, we are here to help.

Scan QR Code to Watch Video on:



How to Secure the Backrest

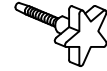
H189112



Washer

[1]

H202409



2.5"L Thumb Bolts

[4]

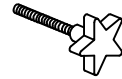
H203480



5/16" Butterfly Nut

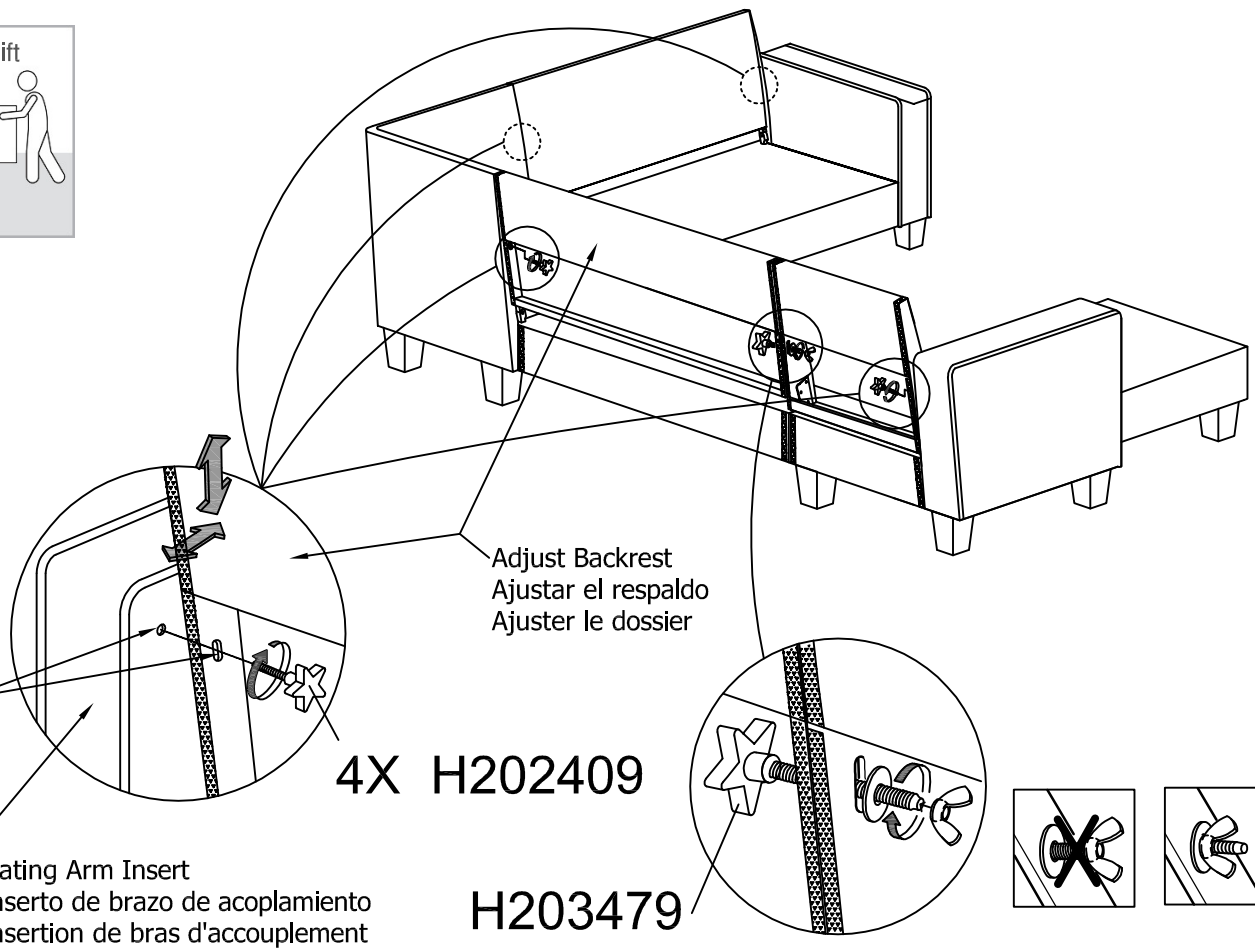
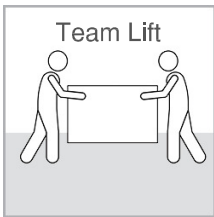
[1]

H203479



3.5"L Thumb Bolts

[1]



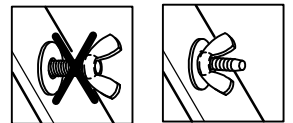
Align
Alinear
Aligner

Adjust Backrest
Ajustar el respaldo
Ajuster le dossier

4X H202409

H203479

Mating Arm Insert
Inserto de brazo de acoplamiento
Insertion de bras d'accouplement



Adjust the position of the backrest as necessary, up and down and front to back, until the mating arm insert is aligned with the bolt. This step may take time, so don't get frustrated. A helper may be of assistance.

Ajuste la posición del respaldo según sea necesario, hacia arriba y hacia abajo y de adelante hacia atrás, hasta que el inserto del brazo de acoplamiento esté alineado con el perno. Este paso puede llevar tiempo, así que no se frustre. Un ayudante puede ser de ayuda.

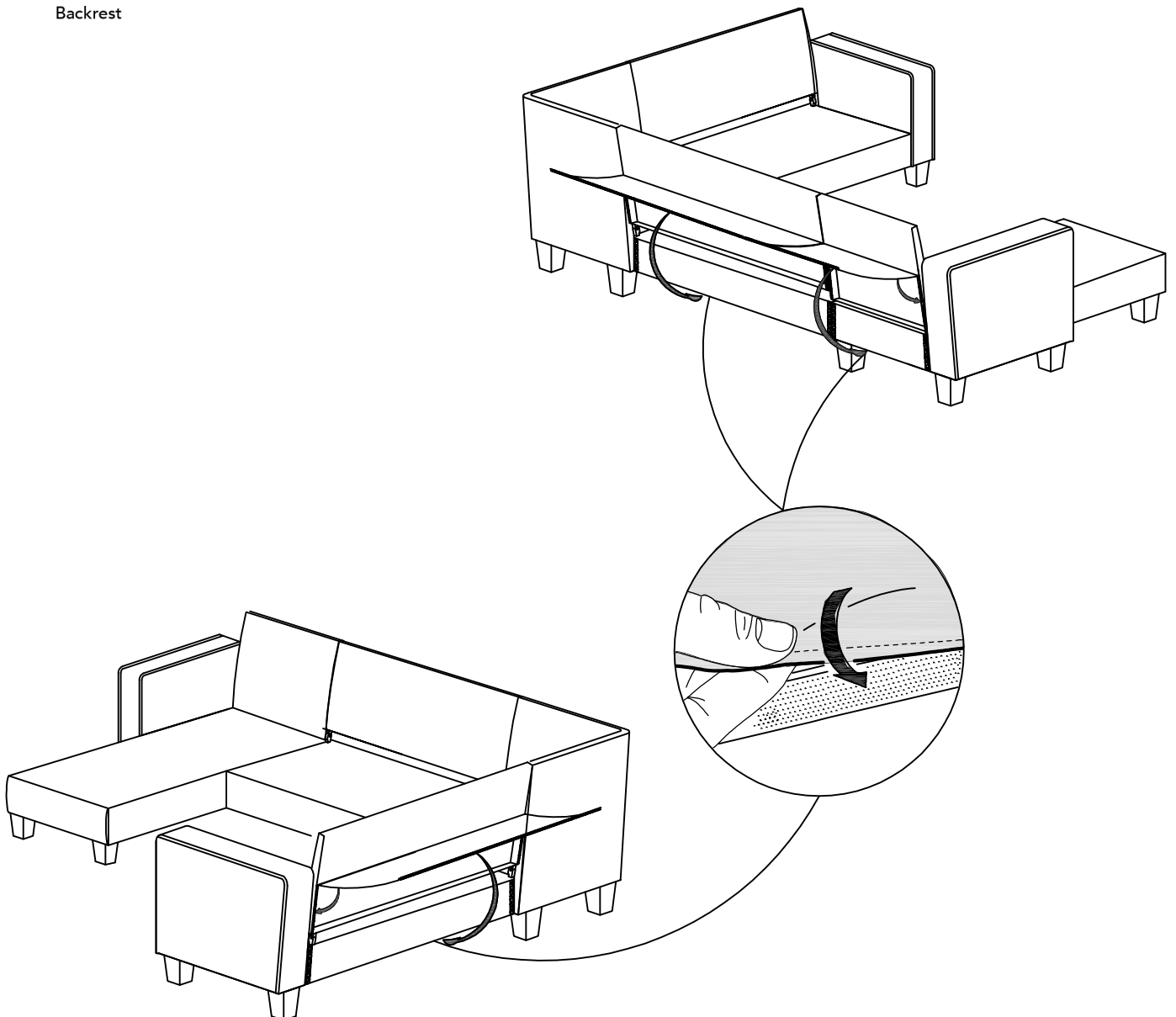
Ajustez la position du dossier si nécessaire, de haut en bas et d'avant en arrière, jusqu'à ce que l'insert du bras d'accouplement soit aligné avec le boulon. Cette étape peut prendre du temps, alors ne soyez pas frustré. Un assistant peut être utile.

Have an assembly question or need a replacement part? Just call **1-800-950-4782**, we are here to help.

Scan QR Code to
Watch Video on:

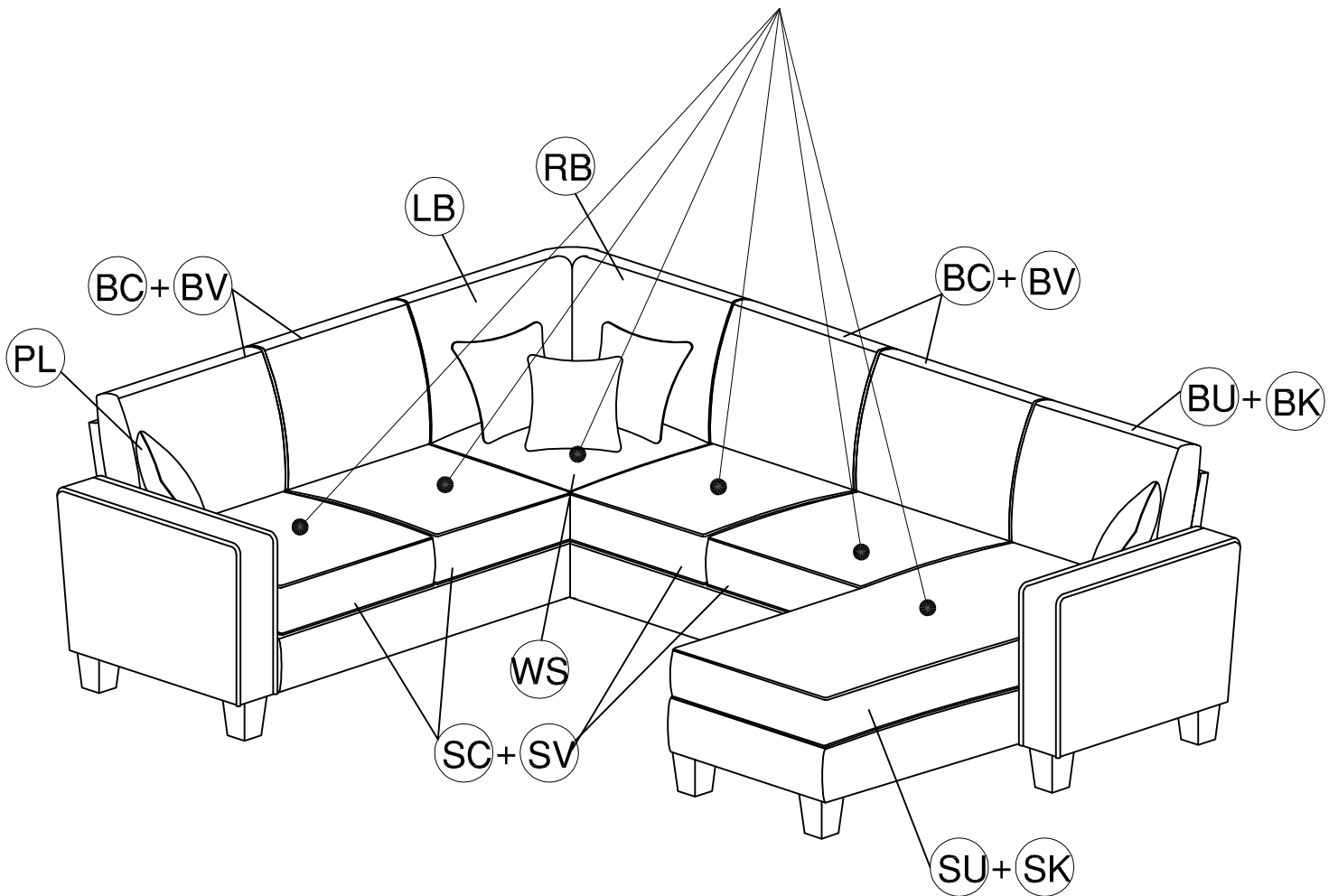


How to Secure the
Backrest



Have an assembly question or need a replacement part? Just call
1-800-950-4782, we are here to help.

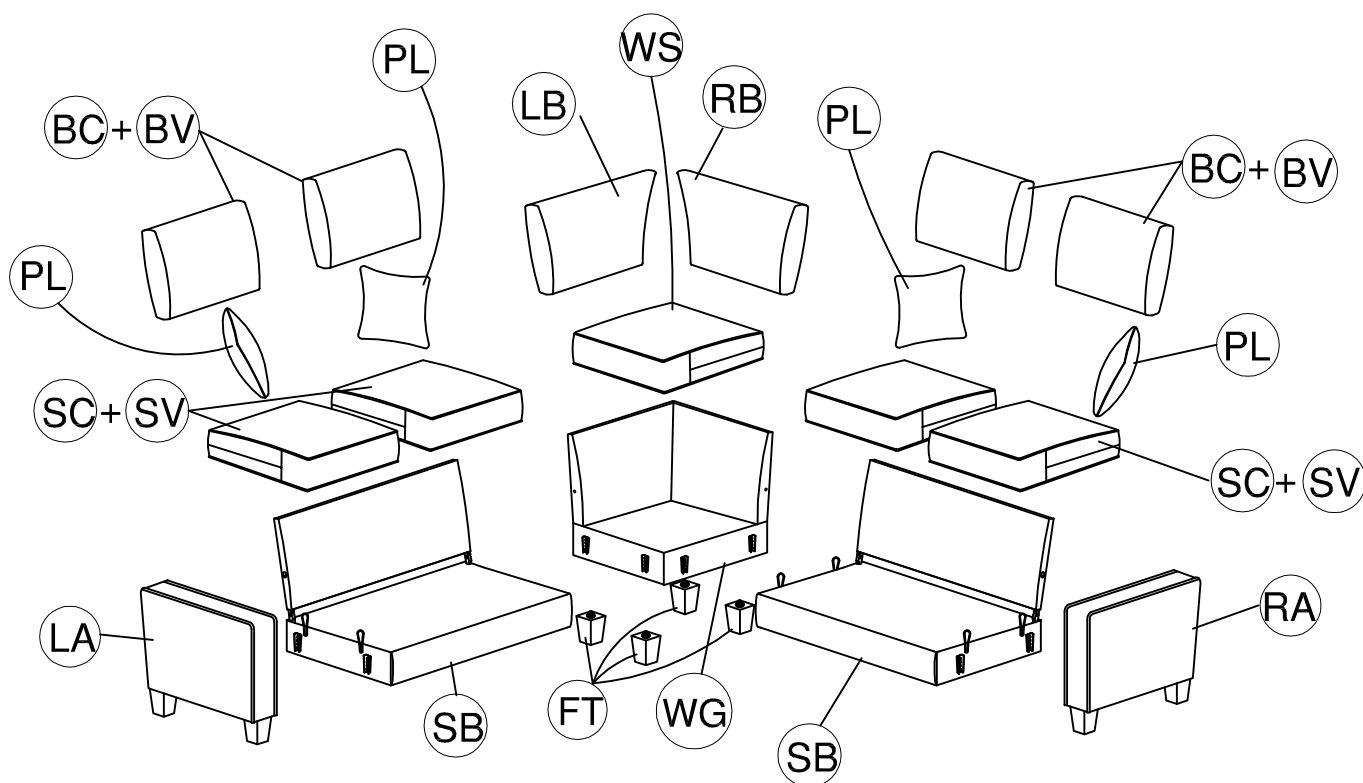
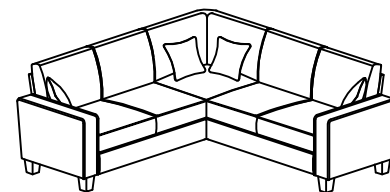
MAXIMUM WEIGHT: 275 LBS (125 KG)
PESO MÁXIMO: 275 LIBRAS (125 KILOGRAMO)
POIDS MAXIMUM: 275 LIVRES (125 KILOGRAMME)



Congratulations! You are all done. If you have any questions or concerns, please call.

Have an assembly question or need a replacement part? Just call **1-800-950-4782**, we are here to help.

86W L Sectional / 98W L Sectional



HARDWARE

Hardware not to scale.

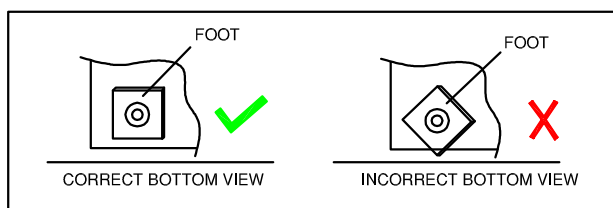
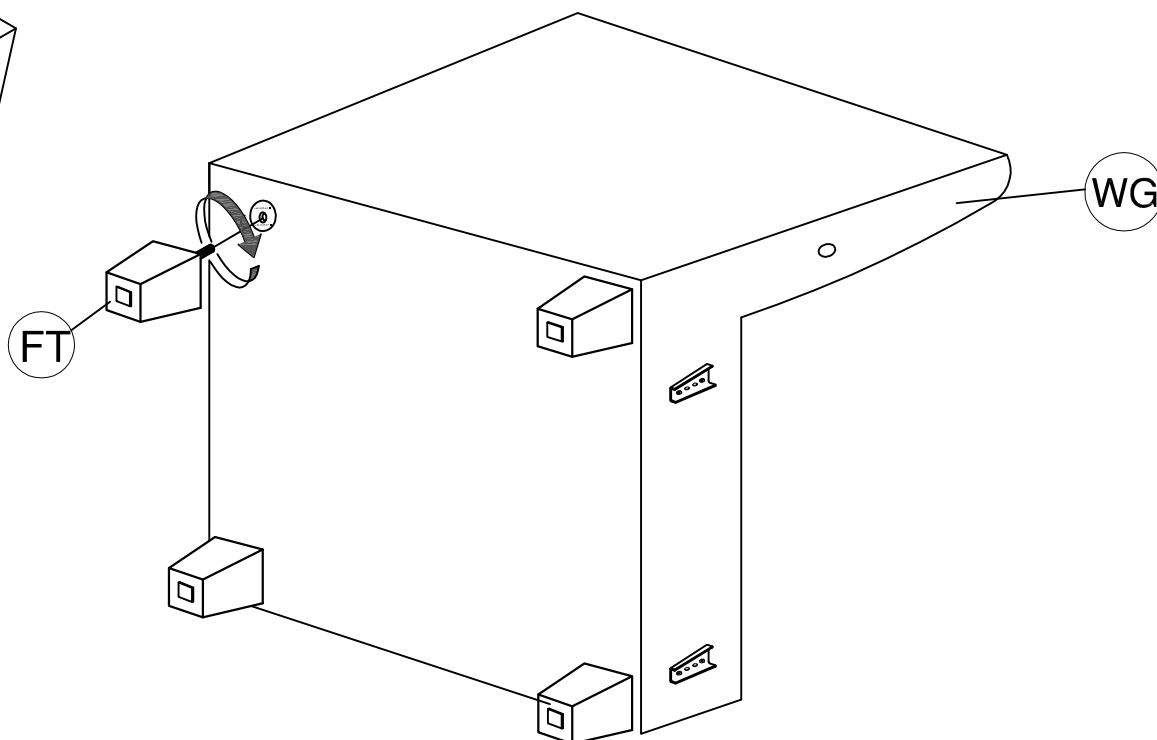
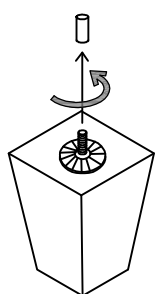
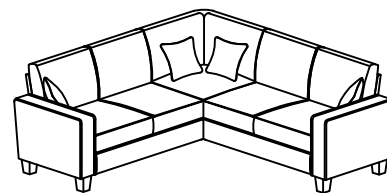
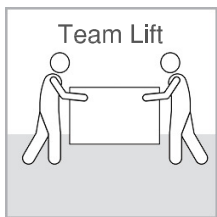
H202409



[4]

2.5"L Thumb Bolts

Have an assembly question or need a replacement part? Just call
1-800-950-4782, we are here to help.

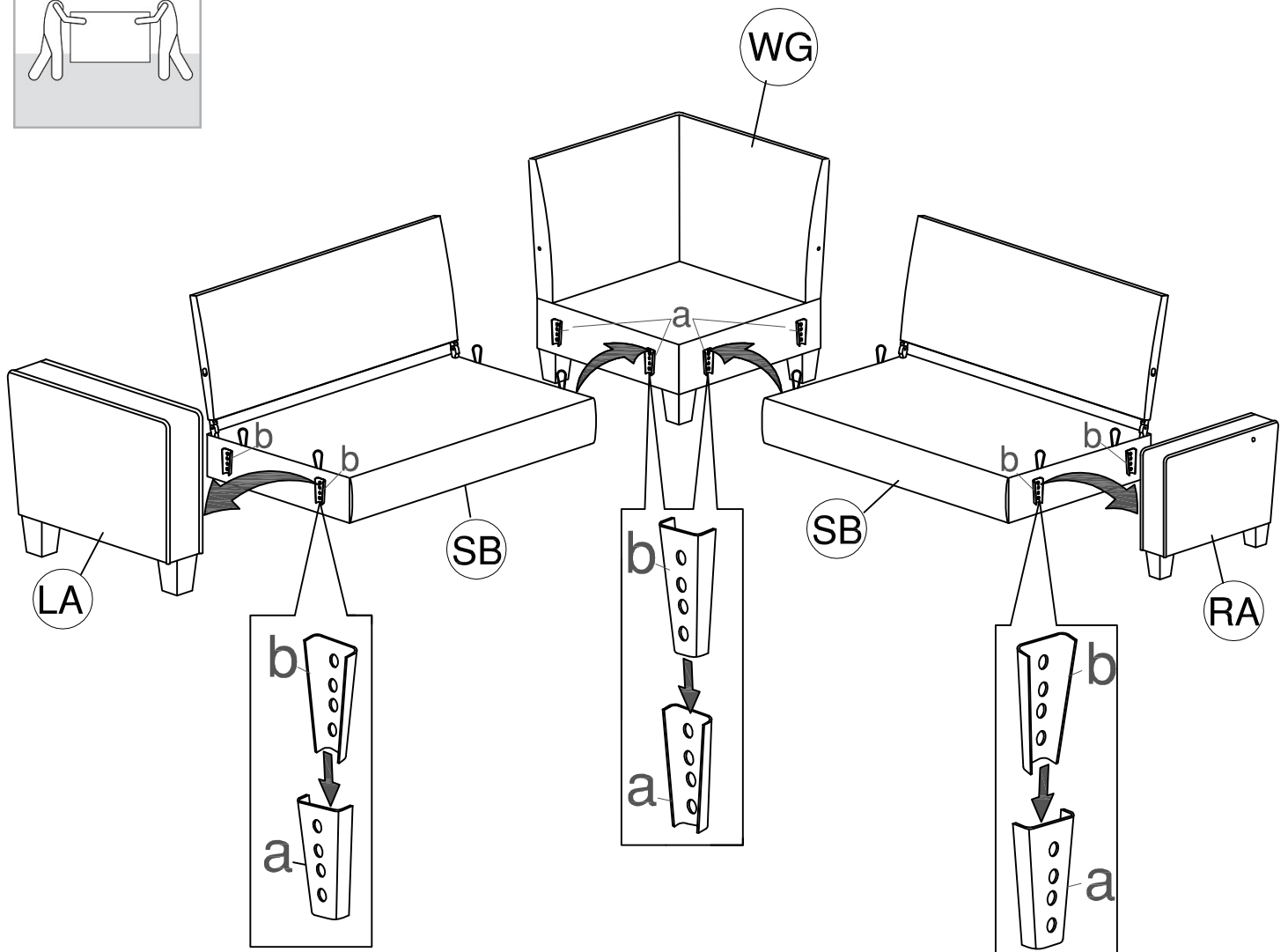
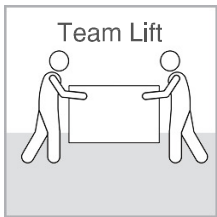
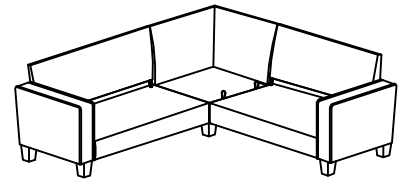


Have an assembly question or need a replacement part? Just call **1-800-950-4782**, we are here to help.

Scan QR Code to Watch Video on:



How to Attach Components

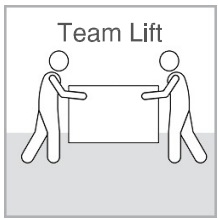


Have an assembly question or need a replacement part? Just call **1-800-950-4782**, we are here to help.

Scan QR Code to Watch Video on:

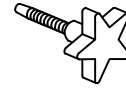


How to Secure the Backrest



Mating Wedge Insert
 Inserto de cuña de acoplamiento
 Insertion de coin d'accouplement

H202409



2.5"L Thumb Bolts

[4]

Align
 Alinear
 Aligner

Adjust Backrest
 Ajustar el respaldo
 Ajuster le dossier

2X

Mating Arm Insert
 Inserto de brazo de acoplamiento
 Insertion de bras d'accouplement

Align
 Alinear
 Aligner

Adjust Backrest
 Ajustar el respaldo
 Ajuster le dossier

2X H202409

Adjust the position of the backrest as necessary, up and down and front to back, until the mating arm insert is aligned with the bolt. This step may take time, so don't get frustrated. A helper may be of assistance.

Ajuste la posición del respaldo según sea necesario, hacia arriba y hacia abajo y de adelante hacia atrás, hasta que el inserto del brazo de acoplamiento esté alineado con el perno. Este paso puede llevar tiempo, así que no se frustre. Un ayudante puede ser de ayuda.

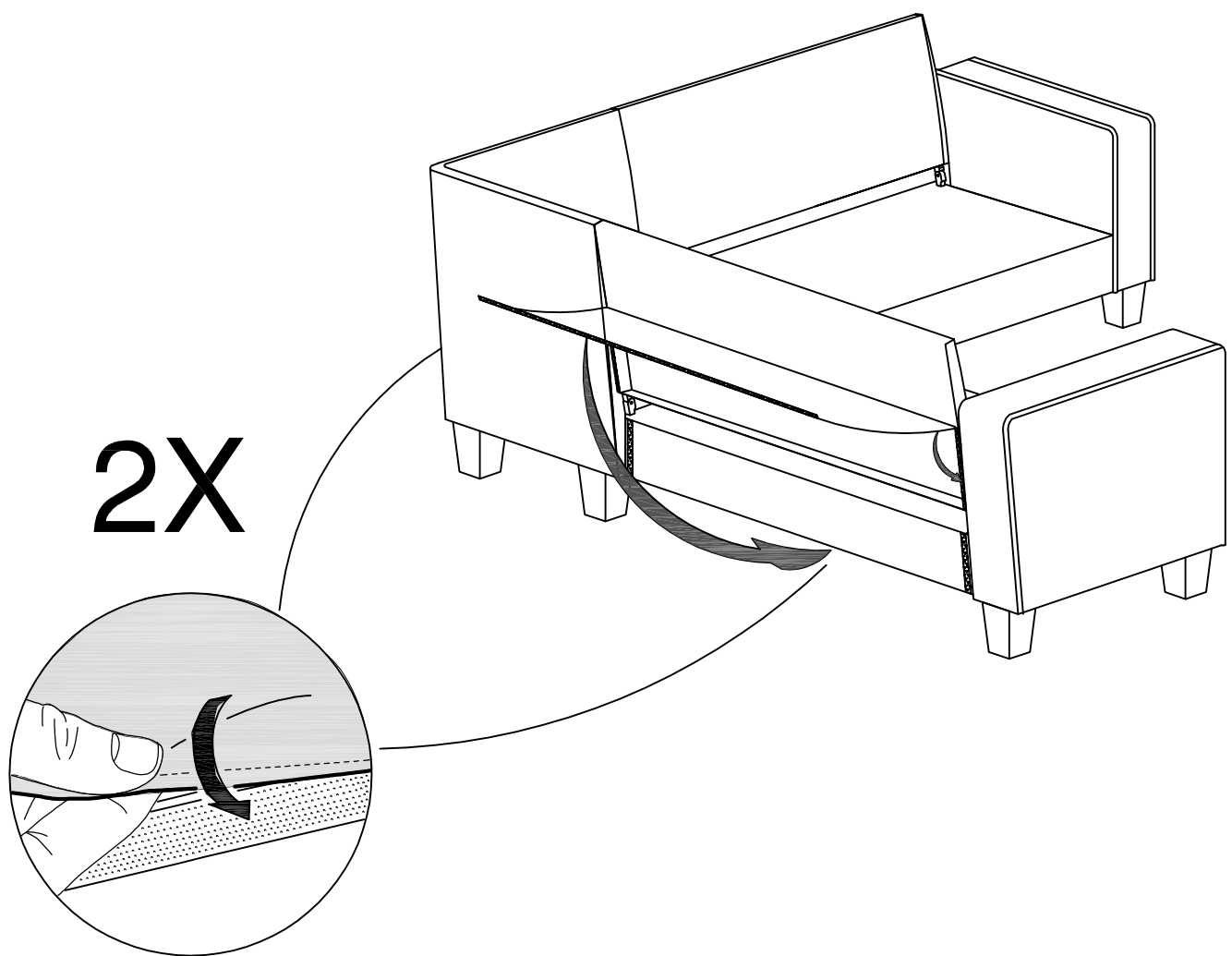
Ajustez la position du dossier si nécessaire, de haut en bas et d'avant en arrière, jusqu'à ce que l'insert du bras d'accouplement soit aligné avec le boulon. Cette étape peut prendre du temps, alors ne soyez pas frustré. Un assistant peut être utile.

Have an assembly question or need a replacement part? Just call
1-800-950-4782, we are here to help.

Scan QR Code to
Watch Video on:

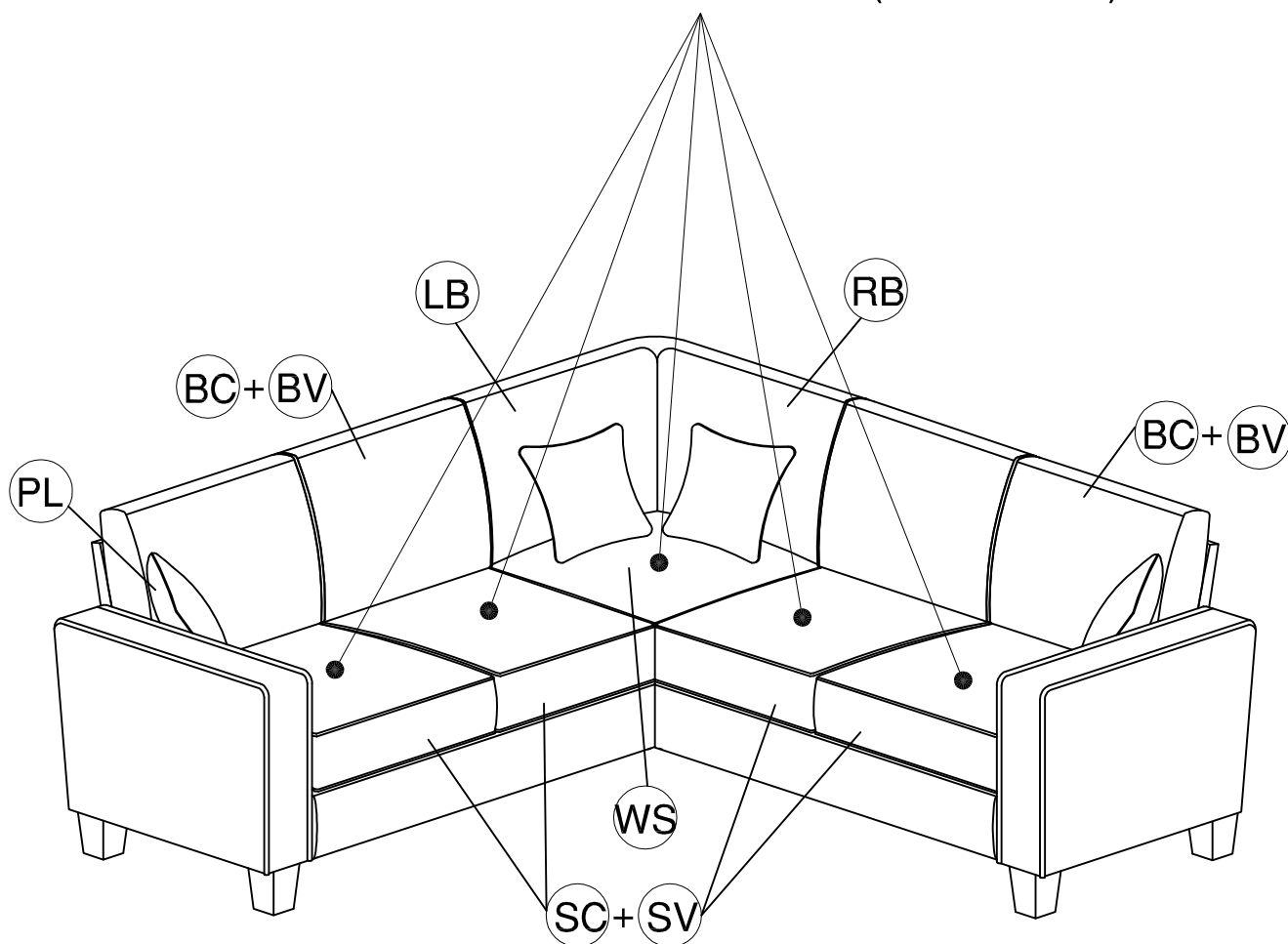


How to Secure the
Backrest



Have an assembly question or need a replacement part? Just call
1-800-950-4782, we are here to help.

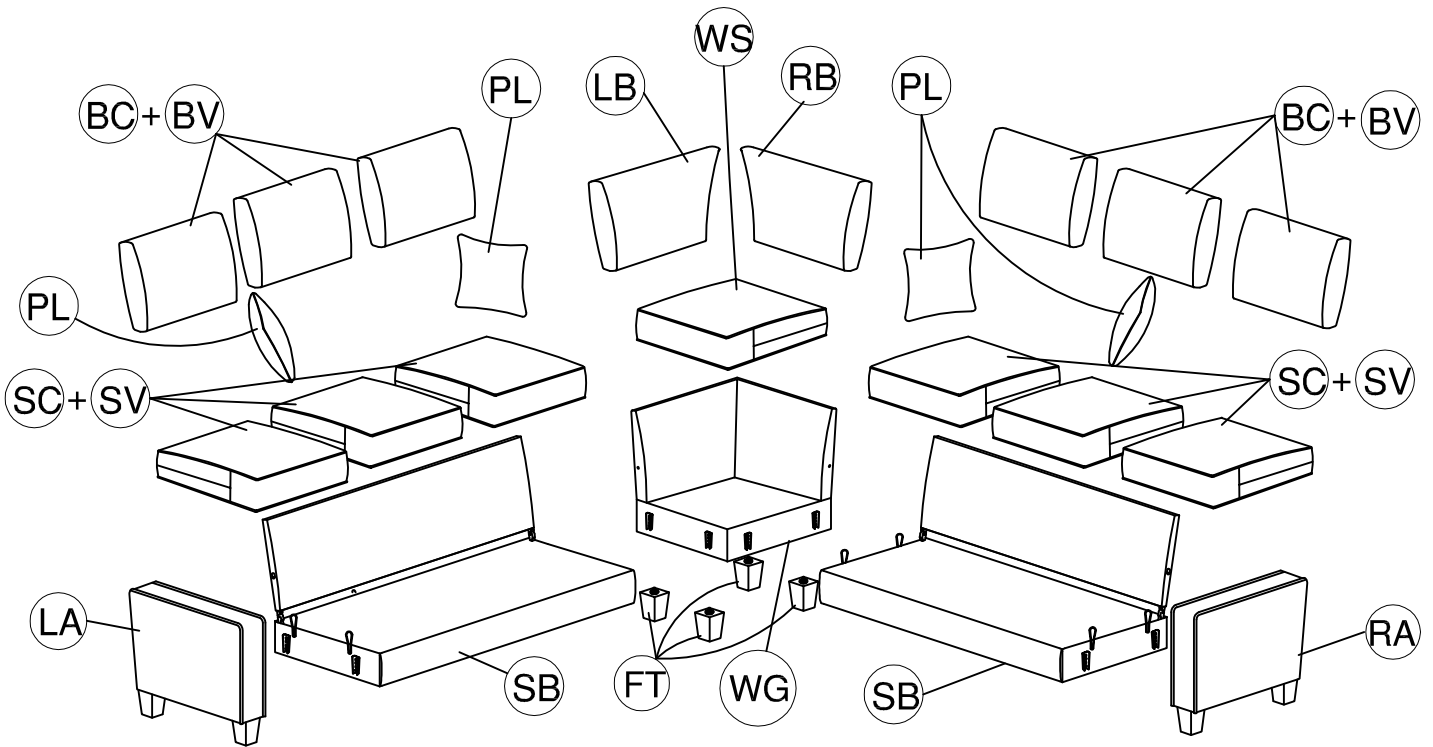
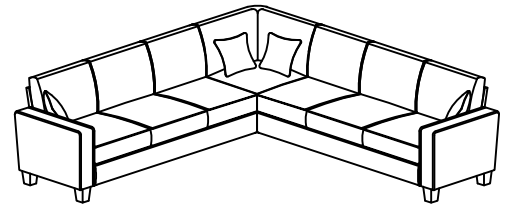
MAXIMUM WEIGHT: 275 LBS (125 KG)
PESO MÁXIMO: 275 LIBRAS (125 KILOGRAMO)
POIDS MAXIMUM: 275 LIVRES (125 KILOGRAMME)



Congratulations! You are all done. If you have any questions or concerns, please call.

Have an assembly question or need a replacement part? Just call **1-800-950-4782**, we are here to help.

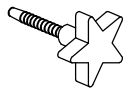
110W L Sectional



HARDWARE

Hardware not to scale.

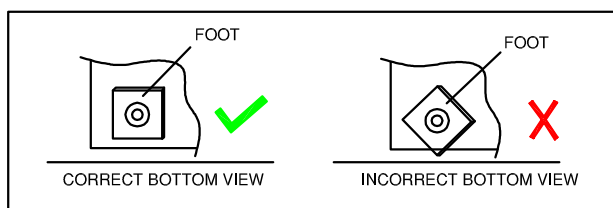
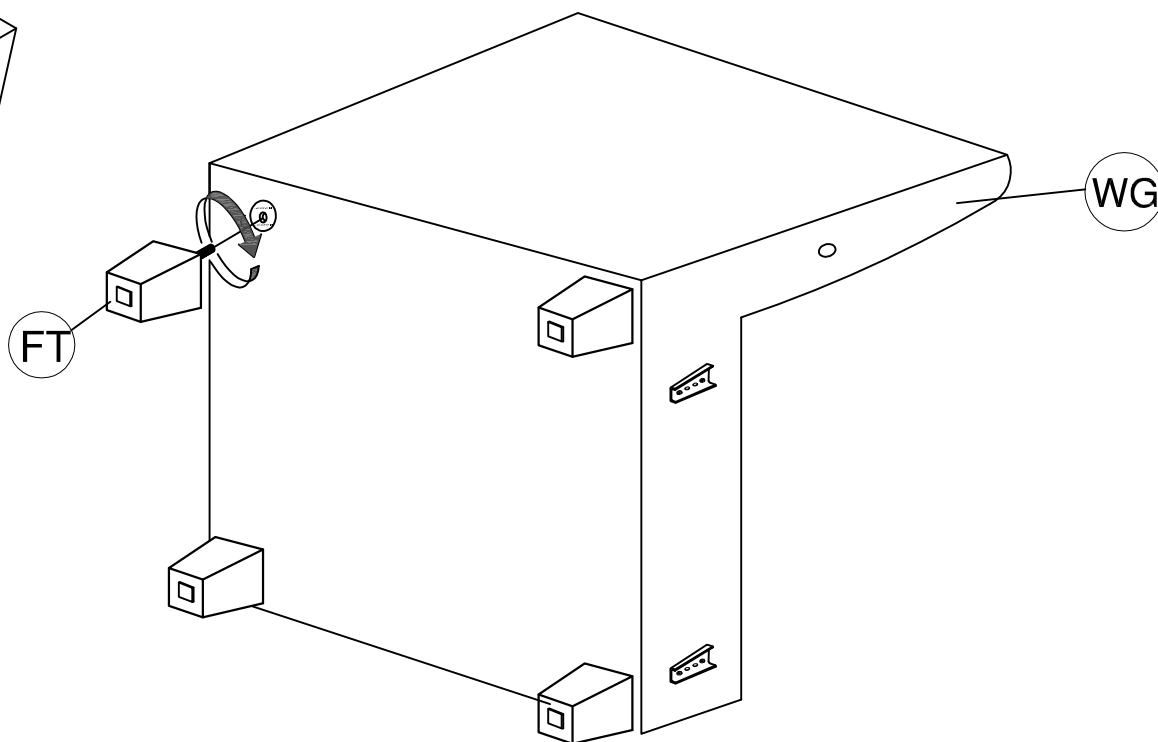
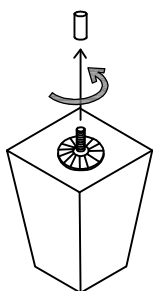
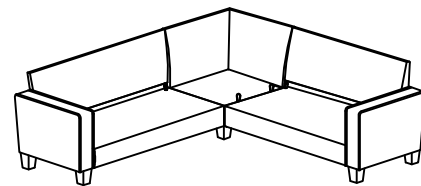
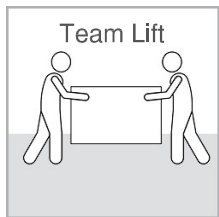
H202409



[4]

2.5"L Thumb Bolts

Have an assembly question or need a replacement part? Just call
1-800-950-4782, we are here to help.

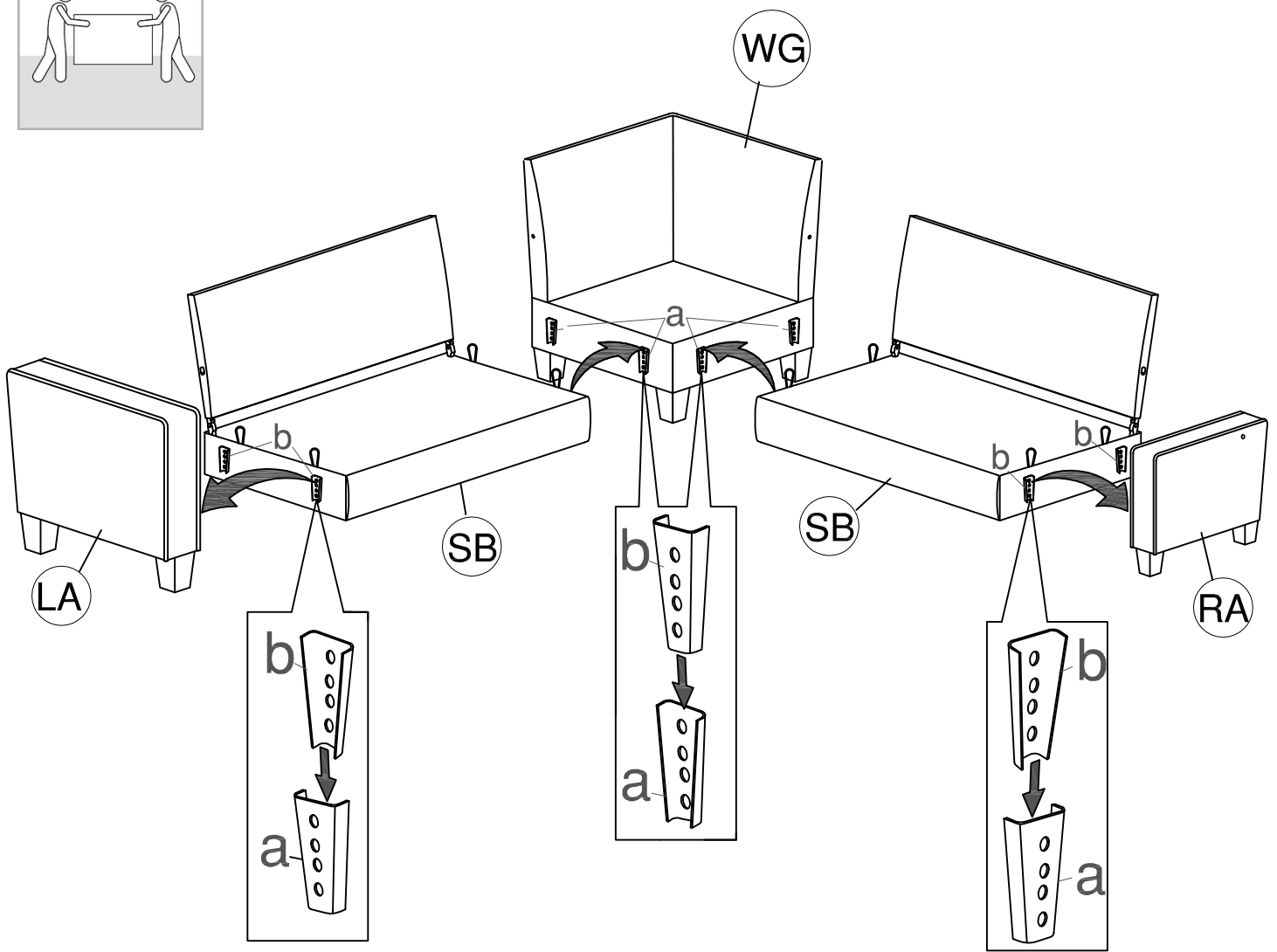
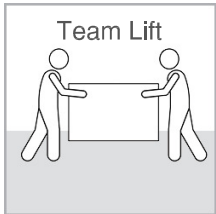
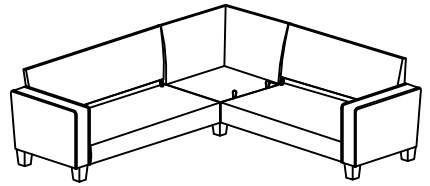


Have an assembly question or need a replacement part? Just call **1-800-950-4782**, we are here to help.

Scan QR Code to Watch Video on:



How to Attach Components

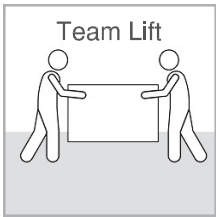


Have an assembly question or need a replacement part? Just call **1-800-950-4782**, we are here to help.

Scan QR Code to Watch Video on:

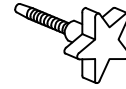


How to Secure the Backrest



Mating Wedge Insert
Inserto de cuña de acoplamiento
Insertion de coin d'accouplement

H202409



2.5"L Thumb Bolts

[4]

Align
Alinear
Aligner

Adjust Backrest
Ajustar el respaldo
Ajuster le dossier

2X

Mating Arm Insert
Inserto de brazo de acoplamiento
Insertion de bras d'accouplement

Align
Alinear
Aligner

Adjust Backrest
Ajustar el respaldo
Ajuster le dossier

2X H202409

Adjust the position of the backrest as necessary, up and down and front to back, until the mating arm insert is aligned with the bolt. This step may take time, so don't get frustrated. A helper may be of assistance.

Ajuste la posición del respaldo según sea necesario, hacia arriba y hacia abajo y de adelante hacia atrás, hasta que el inserto del brazo de acoplamiento esté alineado con el perno. Este paso puede llevar tiempo, así que no se frustre. Un ayudante puede ser de ayuda.

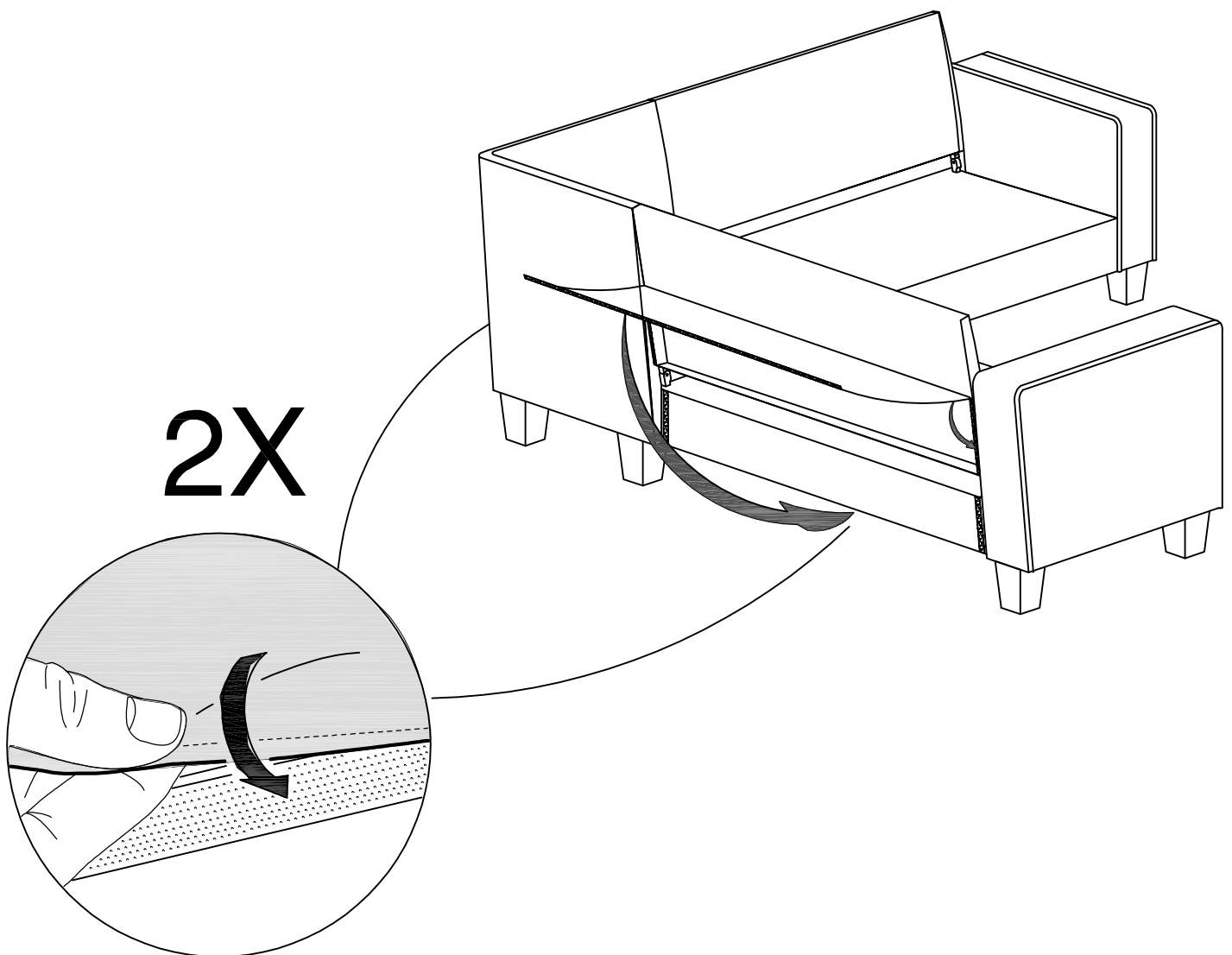
Ajustez la position du dossier si nécessaire, de haut en bas et d'avant en arrière, jusqu'à ce que l'insert du bras d'accouplement soit aligné avec le boulon. Cette étape peut prendre du temps, alors ne soyez pas frustré. Un assistant peut être utile.

Have an assembly question or need a replacement part? Just call **1-800-950-4782**, we are here to help.

Scan QR Code to
Watch Video on:

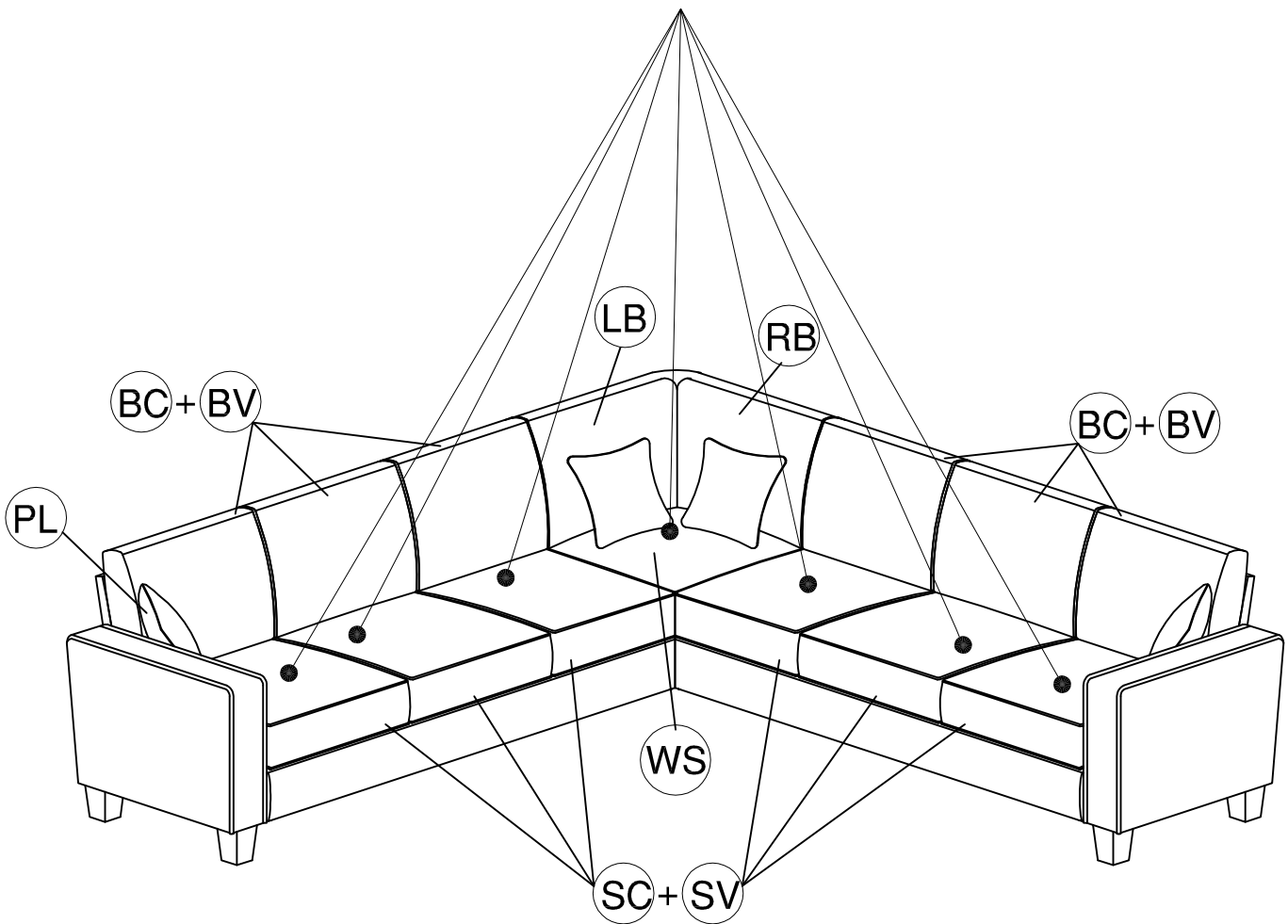


How to Secure the
Backrest



Have an assembly question or need a replacement part? Just call
1-800-950-4782, we are here to help.

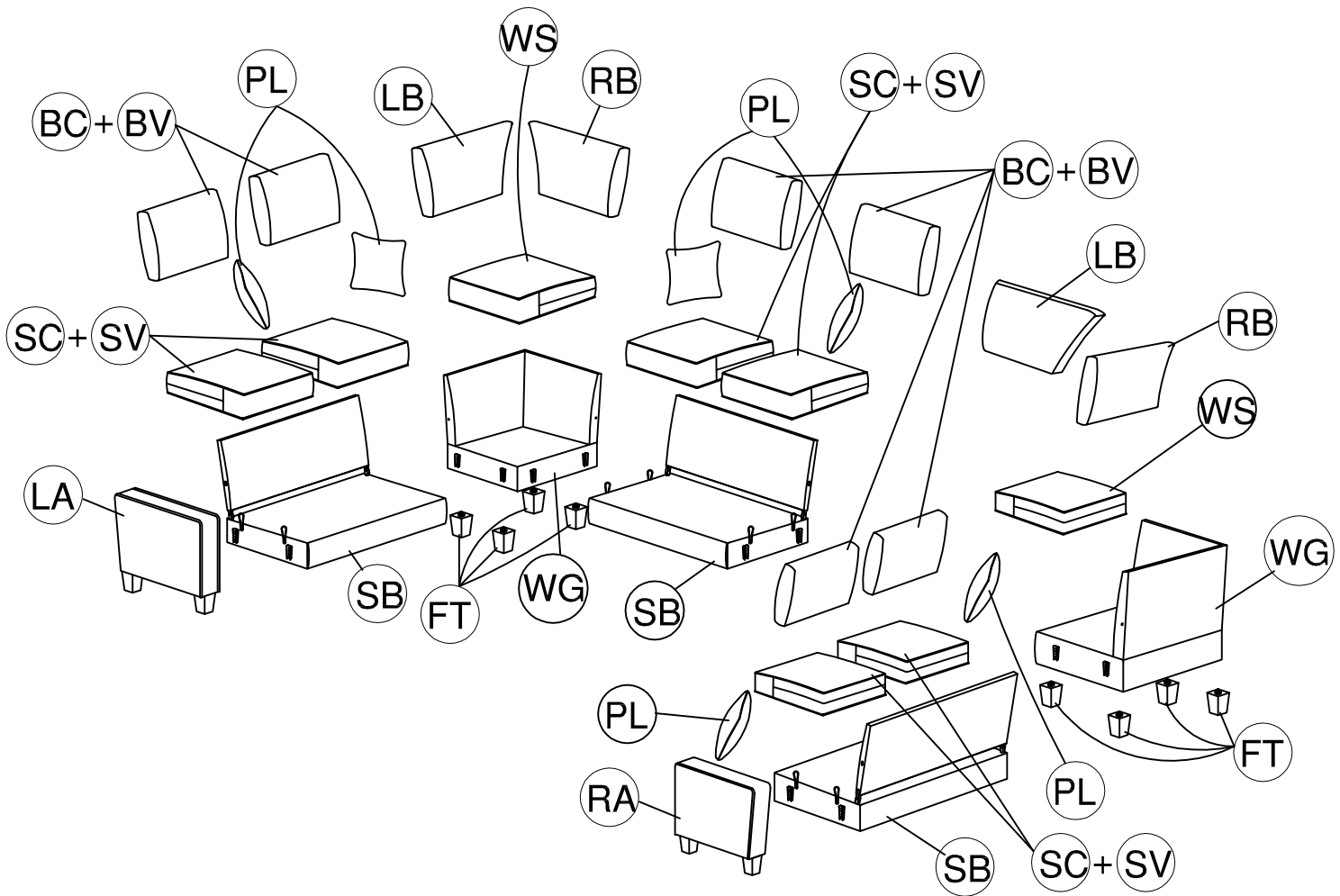
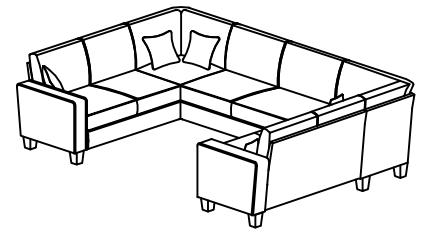
MAXIMUM WEIGHT: 275 LBS (125 KG)
PESO MÁXIMO: 275 LIBRAS (125 KILOGRAMO)
POIDS MAXIMUM: 275 LIVRES (125 KILOGRAMME)



Congratulations! You are all done. If you have any questions or concerns, please call.

Have an assembly question or need a replacement part? Just call **1-800-950-4782**, we are here to help.

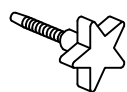
112W U Shaped Symmetrical Sectional /
123W U Shaped Symmetrical Sectional



HARDWARE

Hardware not to scale.

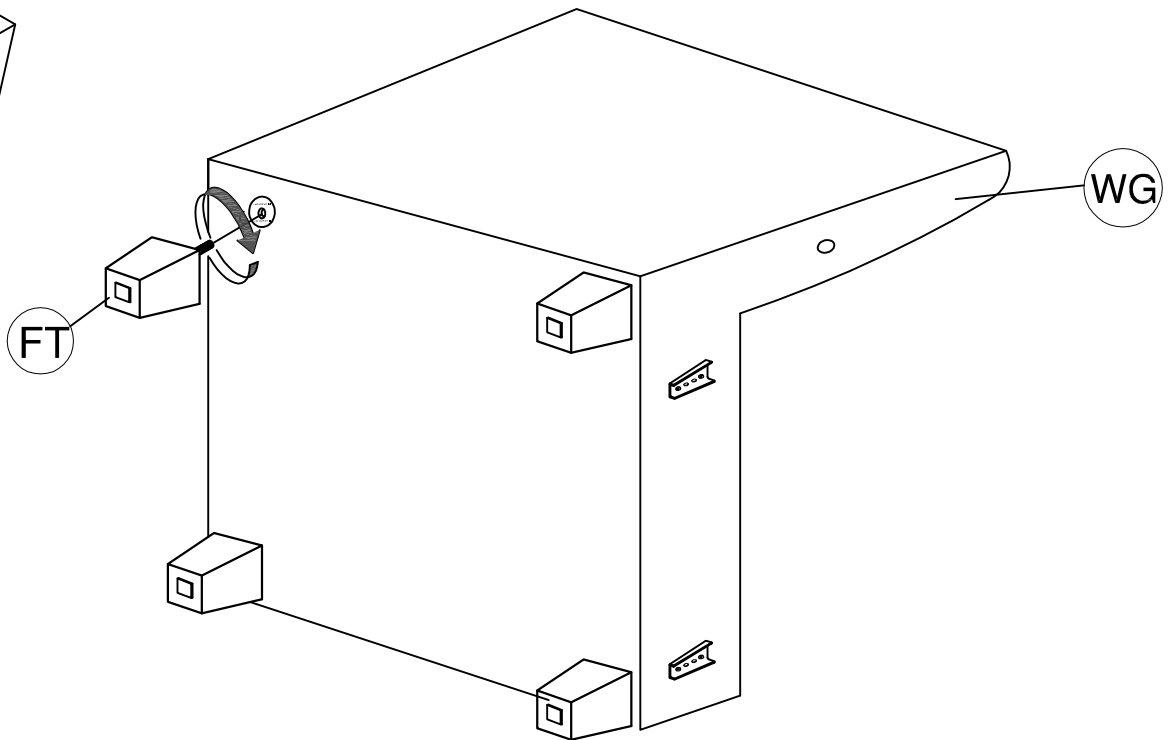
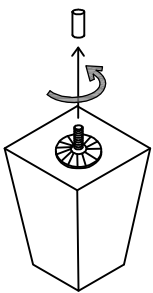
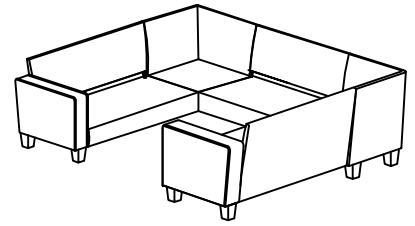
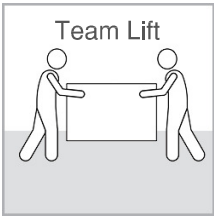
H202409



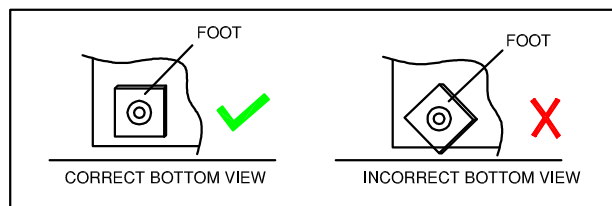
[6]

2.5"L Thumb Bolts

Have an assembly question or need a replacement part? Just call
1-800-950-4782, we are here to help.



2X

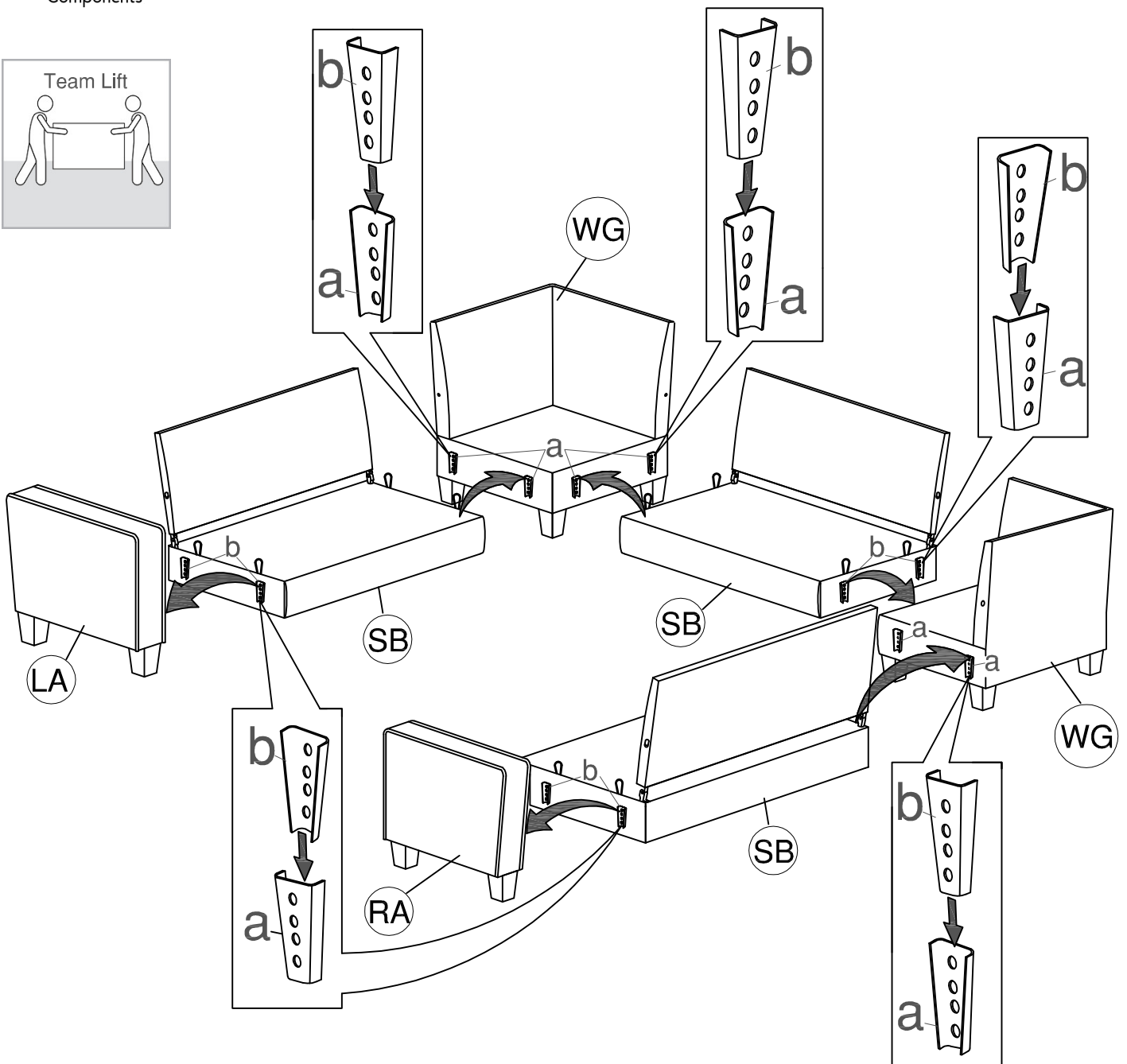
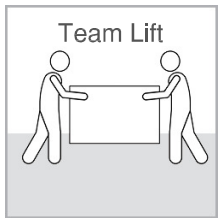
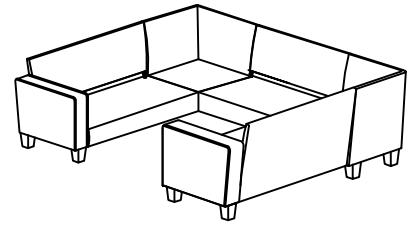


Have an assembly question or need a replacement part? Just call **1-800-950-4782**, we are here to help.

Scan QR Code to Watch Video on:



How to Attach Components

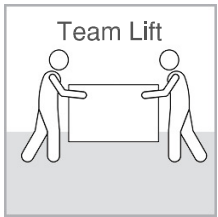


Have an assembly question or need a replacement part? Just call **1-800-950-4782**, we are here to help.

Scan QR Code to Watch Video on:

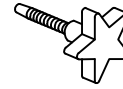


How to Secure the Backrest



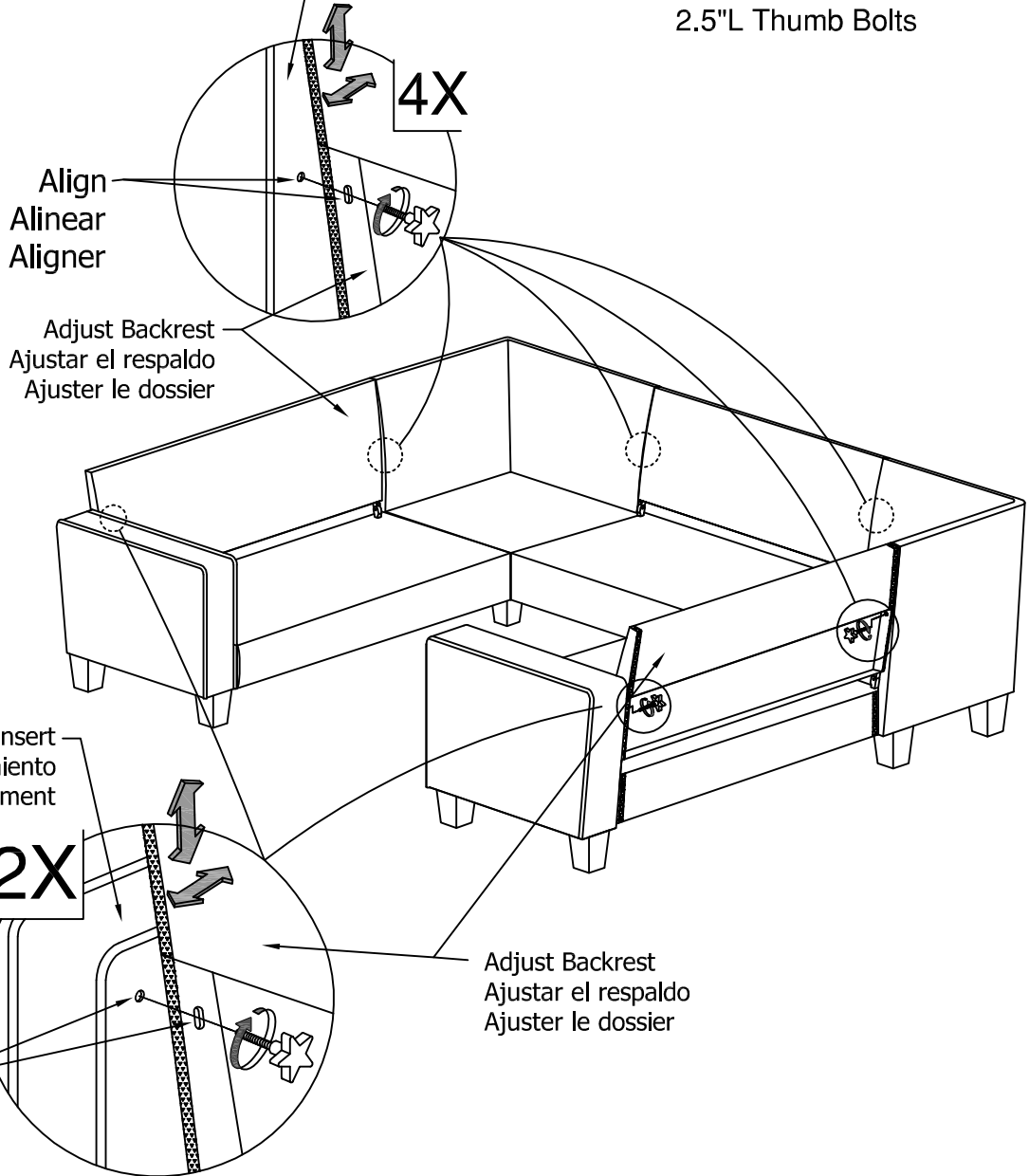
Mating Wedge Insert
 Inserto de cuña de acoplamiento
 Insertion de coin d'accouplement

H202409



[6]

2.5"L Thumb Bolts



Adjust the position of the backrest as necessary, up and down and front to back, until the mating arm insert is aligned with the bolt. This step may take time, so don't get frustrated. A helper may be of assistance.

Ajuste la posición del respaldo según sea necesario, hacia arriba y hacia abajo y de adelante hacia atrás, hasta que el inserto del brazo de acoplamiento esté alineado con el perno. Este paso puede llevar tiempo, así que no se frustre. Un ayudante puede ser de ayuda.

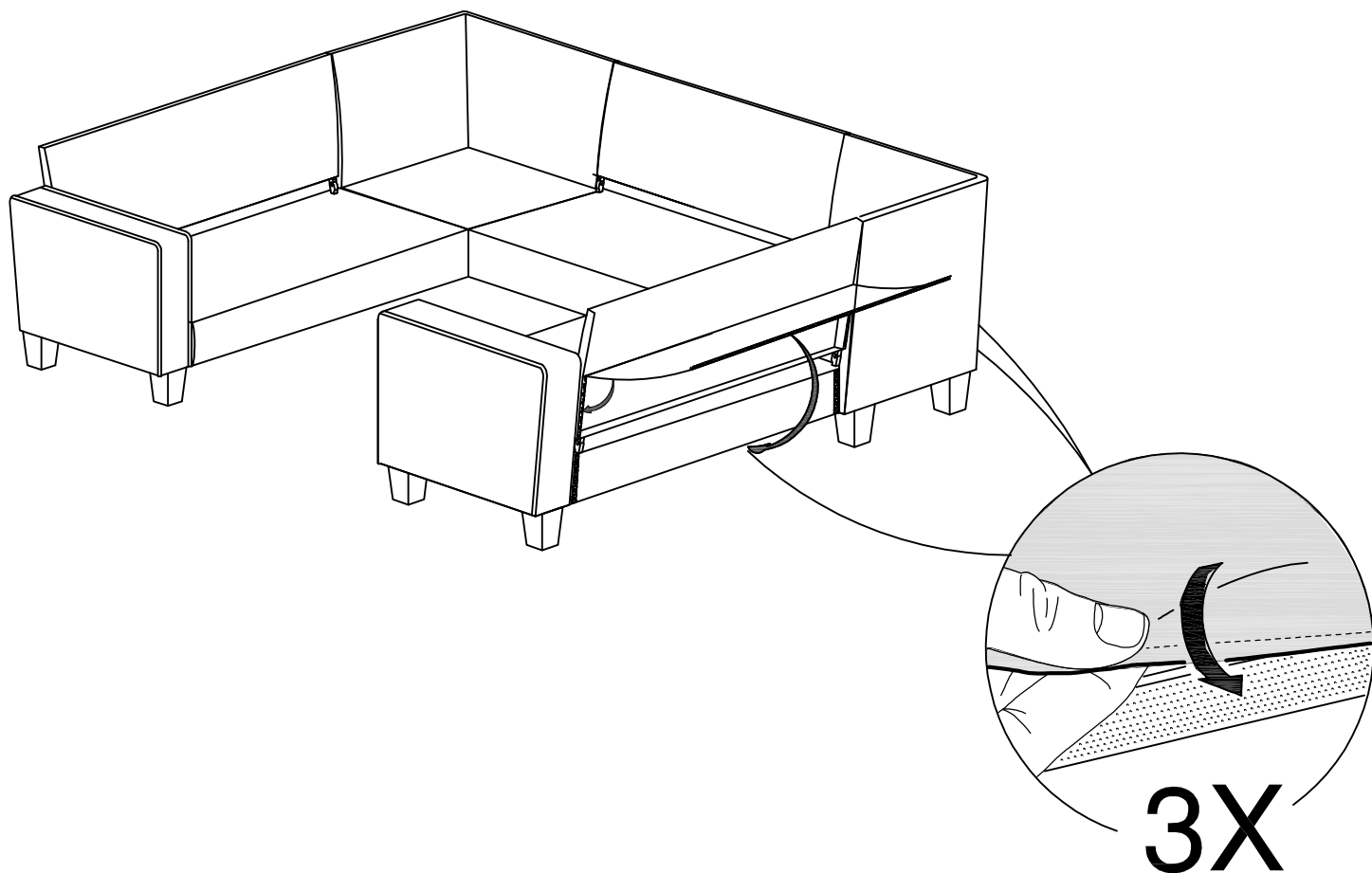
Ajustez la position du dossier si nécessaire, de haut en bas et d'avant en arrière, jusqu'à ce que l'insert du bras d'accouplement soit aligné avec le boulon. Cette étape peut prendre du temps, alors ne soyez pas frustré. Un assistant peut être utile.

Have an assembly question or need a replacement part? Just call **1-800-950-4782**, we are here to help.

Scan QR Code to
Watch Video on:

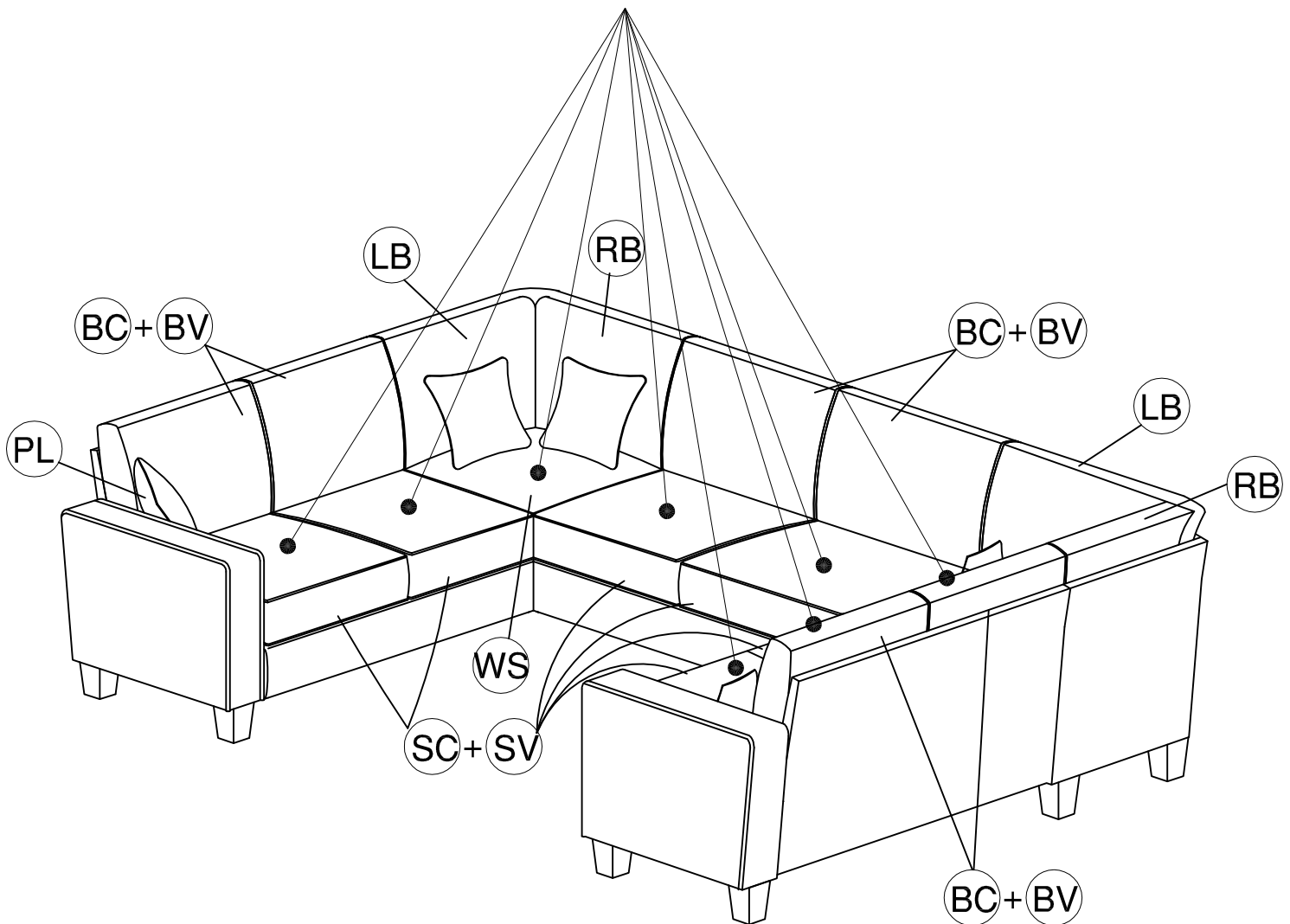


How to Secure the
Backrest



Have an assembly question or need a replacement part? Just call
1-800-950-4782, we are here to help.

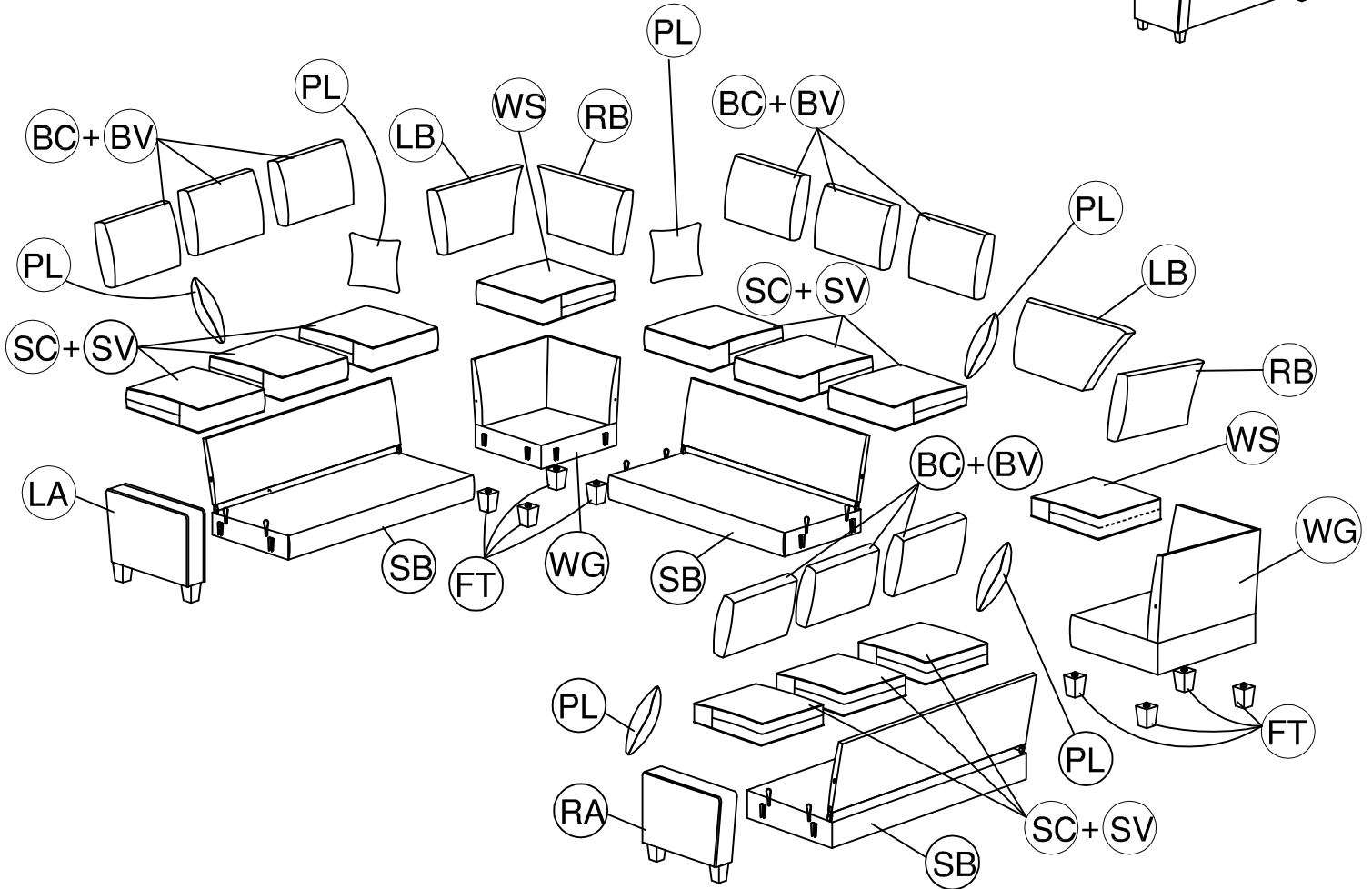
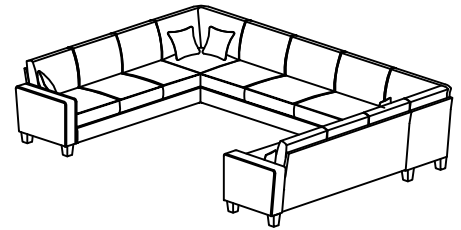
MAXIMUM WEIGHT: 275 LBS (125 KG)
PESO MÁXIMO: 275 LIBRAS (125 KILOGRAMO)
POIDS MAXIMUM: 275 LIVRES (125 KILOGRAMME)



Congratulations! You are all done. If you have any questions or concerns, please call.

Have an assembly question or need a replacement part? Just call **1-800-950-4782**, we are here to help.

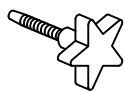
135W U Shaped Symmetrical Sectional



HARDWARE

Hardware not to scale.

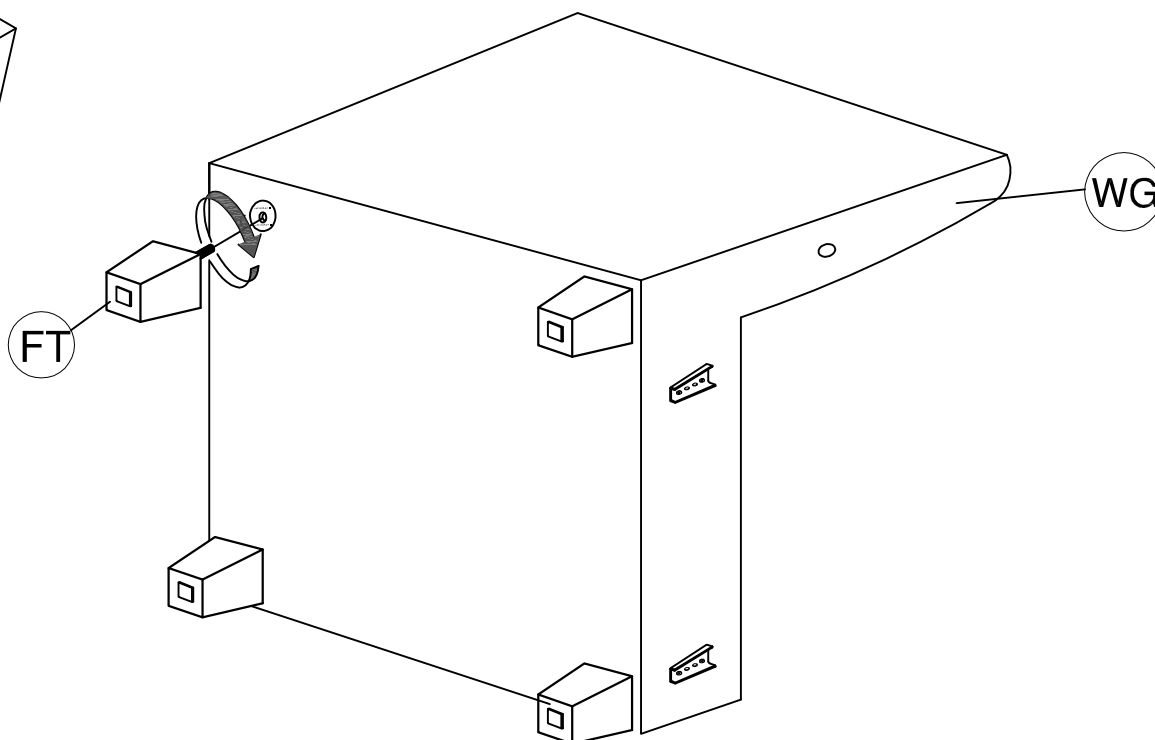
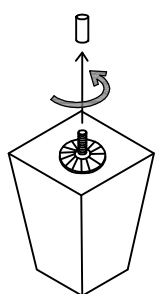
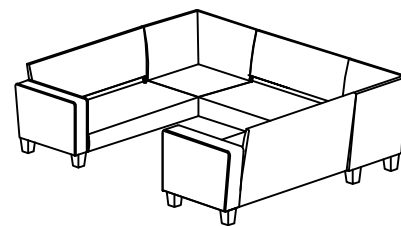
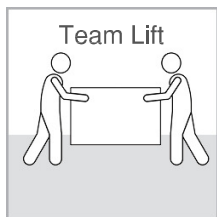
H202409



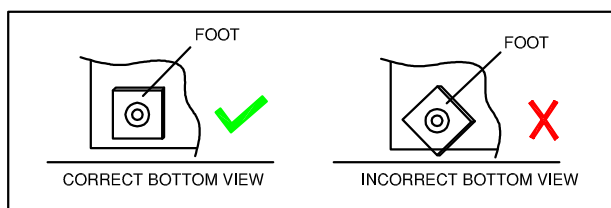
[6]

2.5"L Thumb Bolts

Have an assembly question or need a replacement part? Just call
1-800-950-4782, we are here to help.



2X

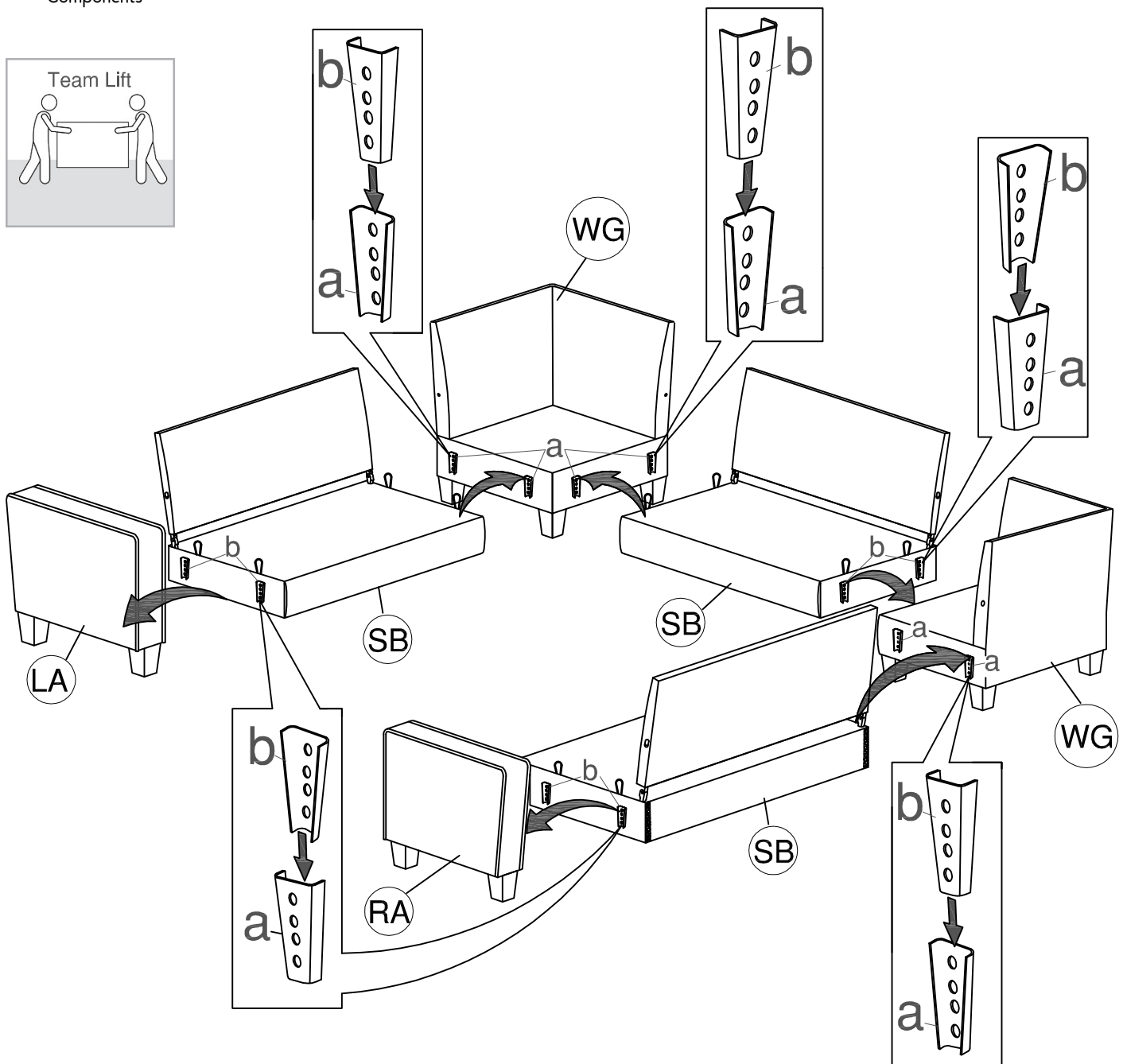
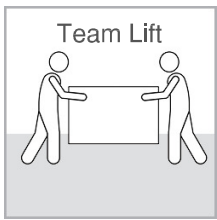
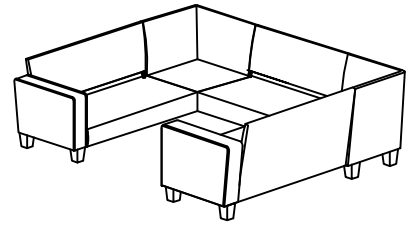


Have an assembly question or need a replacement part? Just call **1-800-950-4782**, we are here to help.

Scan QR Code to Watch Video on:



How to Attach Components



Have an assembly question or need a replacement part? Just call **1-800-950-4782**, we are here to help.

Scan QR Code to Watch Video on:

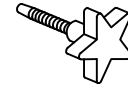


How to Secure the Backrest



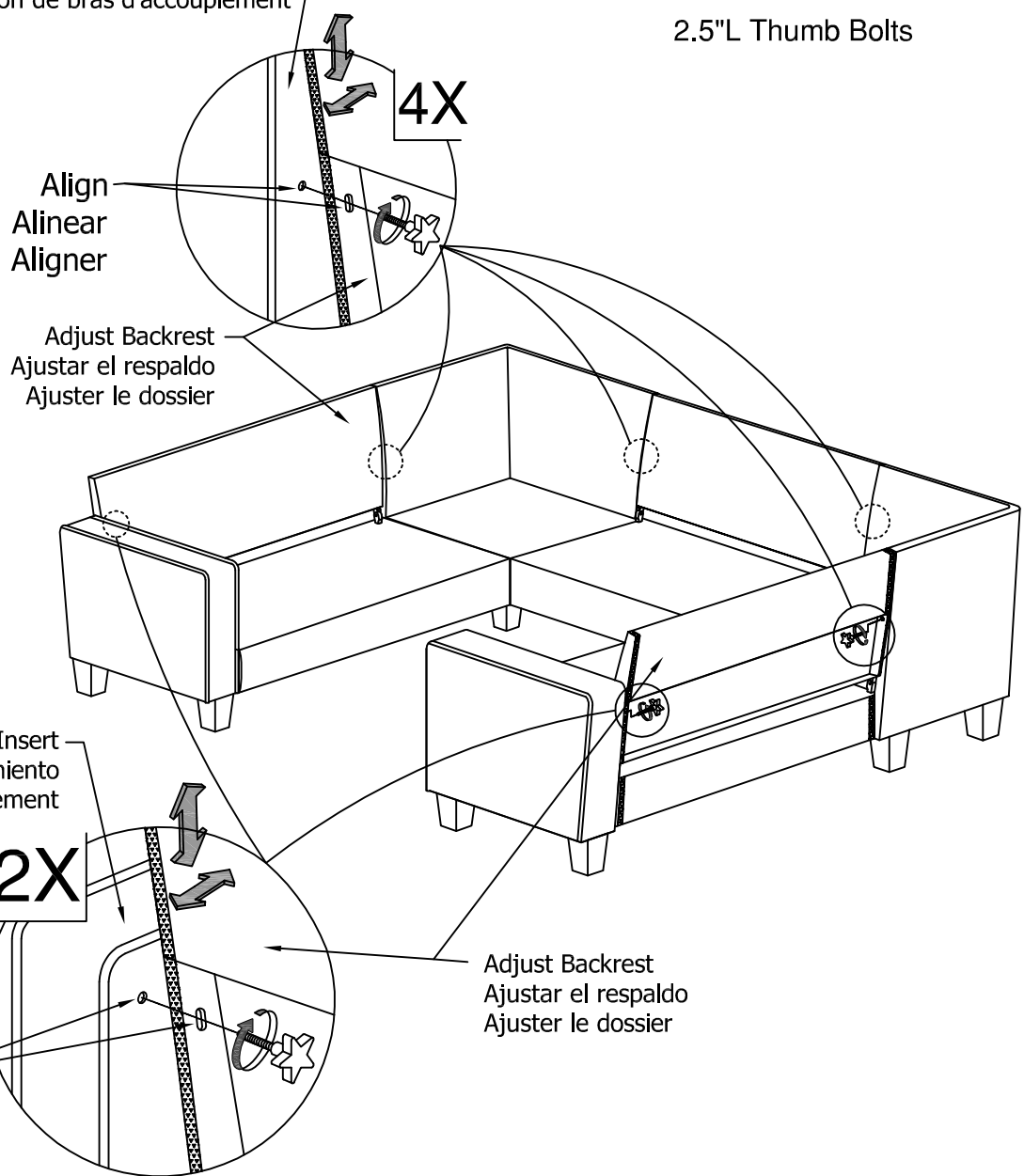
Mating Arm Insert
 Inserto de brazo de acoplamiento
 Insertion de bras d'accouplement

H202409



[6]

2.5"L Thumb Bolts



Adjust the position of the backrest as necessary, up and down and front to back, until the mating arm insert is aligned with the bolt. This step may take time, so don't get frustrated. A helper may be of assistance.

Ajuste la posición del respaldo según sea necesario, hacia arriba y hacia abajo y de adelante hacia atrás, hasta que el inserto del brazo de acoplamiento esté alineado con el perno. Este paso puede llevar tiempo, así que no se frustre. Un ayudante puede ser de ayuda.

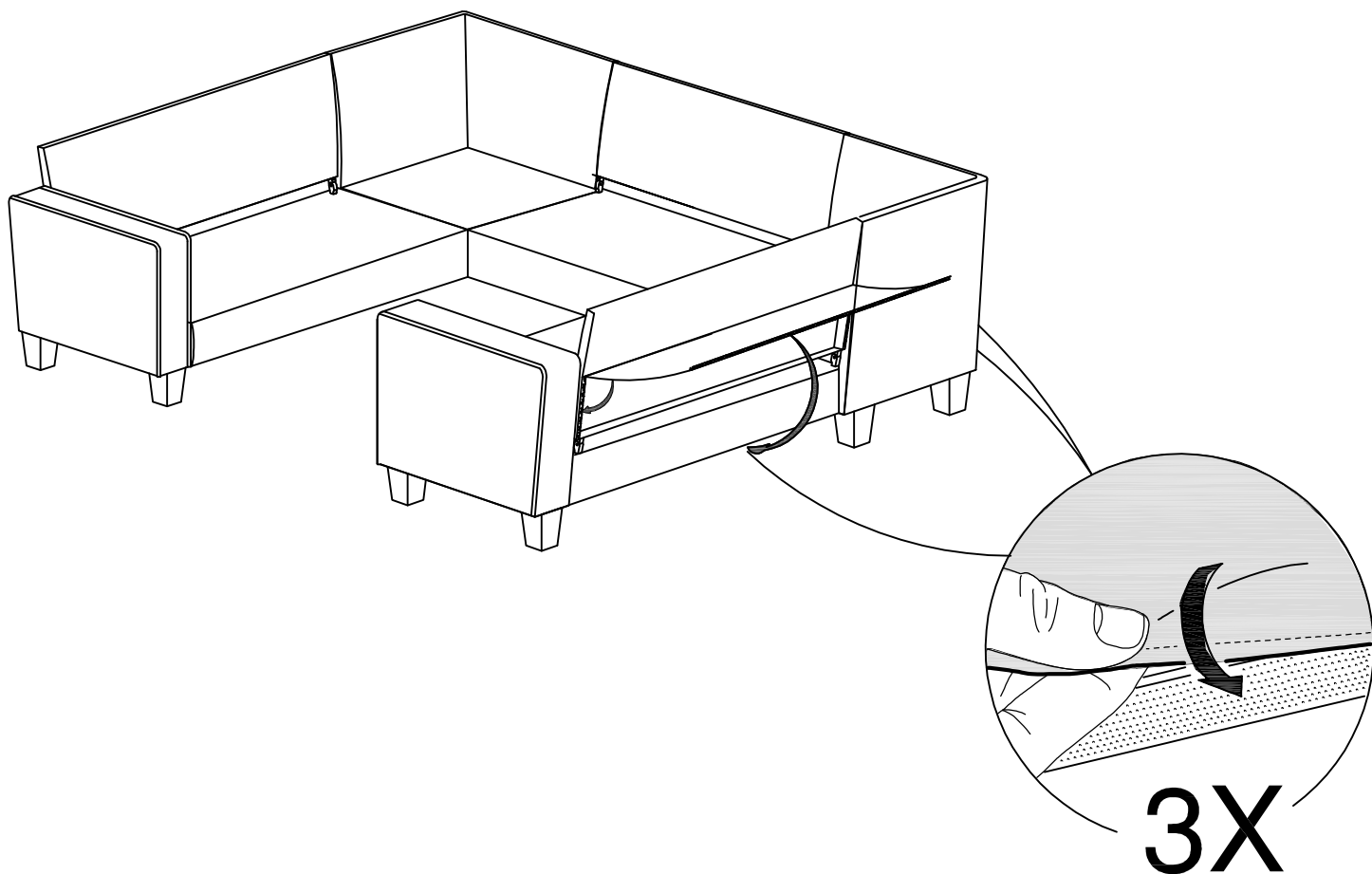
Ajustez la position du dossier si nécessaire, de haut en bas et d'avant en arrière, jusqu'à ce que l'insert du bras d'accouplement soit aligné avec le boulon. Cette étape peut prendre du temps, alors ne soyez pas frustré. Un assistant peut être utile.

Have an assembly question or need a replacement part? Just call **1-800-950-4782**, we are here to help.

Scan QR Code to
Watch Video on:

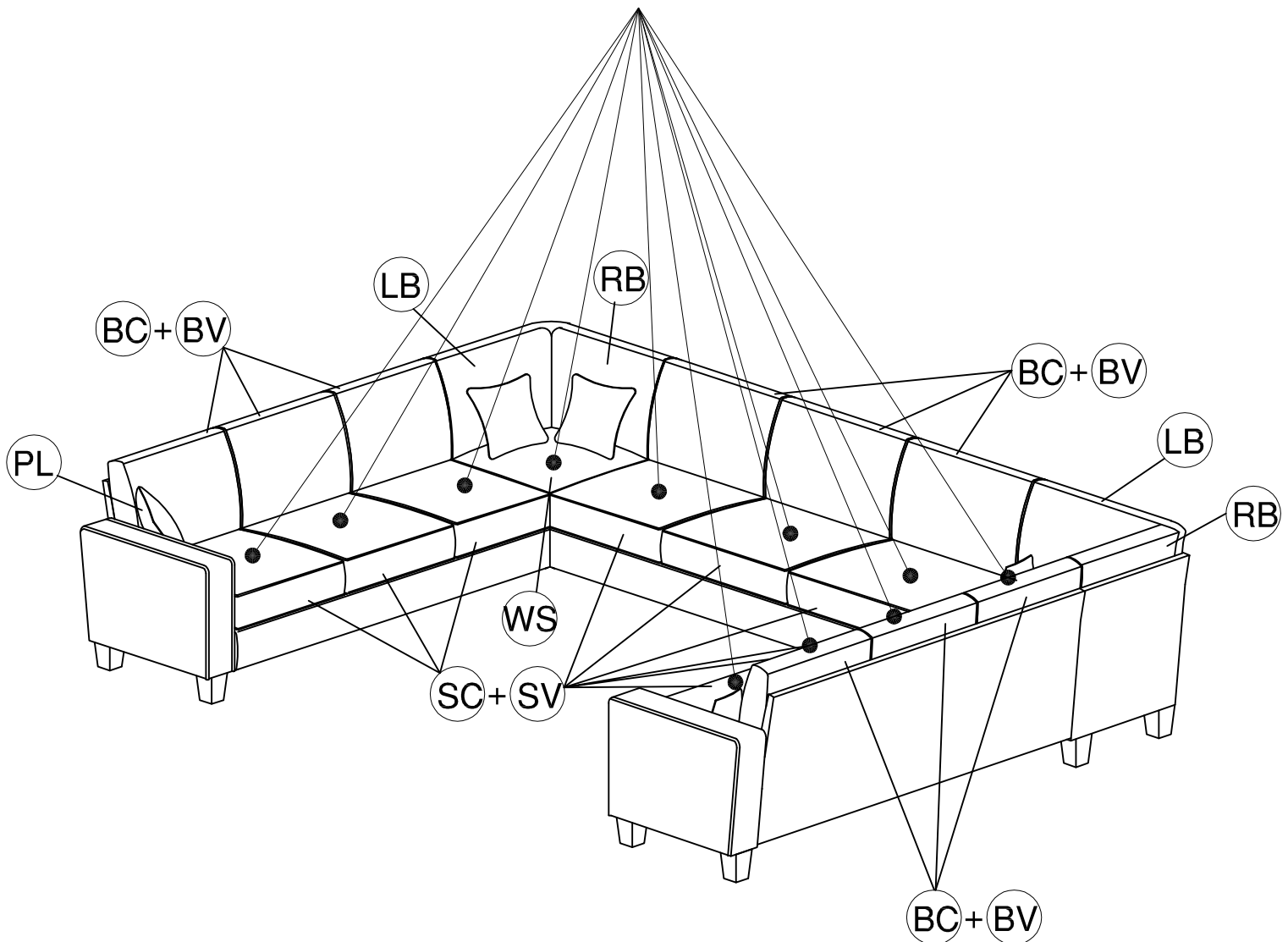


How to Secure the
Backrest



Have an assembly question or need a replacement part? Just call
1-800-950-4782, we are here to help.

MAXIMUM WEIGHT: 275 LBS (125 KG)
PESO MÁXIMO: 275 LIBRAS (125 KILOGRAMO)
POIDS MAXIMUM: 275 LIVRES (125 KILOGRAMME)



Congratulations! You are all done. If you have any questions or concerns, please call.

Have an assembly question or need a replacement part? Just call **1-800-950-4782**, we are here to help.

CHARCOAL GRAY

MUJ49UCGH-03

SB [1] S203531
 PL [2] H203561
 BC [2] H203562
 BV [2] H203563
 SC [2] H203564
 SV [2] H203565

MUM29SCGH-03

CH [1] S203570
 BF [1] S203571
 PL [1] H203561
 BU [1] H203572
 BK [1] H203573
 SU [1] H203574
 SK [1] H203575
 FT [4] H202410

MUJ61UCGH-03

SB [1] S203532
 PL [2] H203561
 BC [2] H203566
 BV [2] H203567
 SC [2] H203568
 SV [2] H203569

MUM29BCGH-03

CH [1] S203570
 BF [1] S203571
 PL [1] H203561
 BU [1] H203572
 BK [1] H203573
 SU [1] H203574
 SK [1] H203575
 FT [4] H202411

MUJ73UCGH-03

SB [1] S203533
 PL [2] H203561
 BC [3] H203562
 BV [3] H203563
 SC [3] H203564
 SV [3] H203565

MUN31BCGH-03

WB [1] S203576
 LB [1] H203577
 RB [1] H203578
 WS [1] H203579
 FT [4] H202411

MUN31SCGH-03

WB [1] S203576
 LB [1] H203577
 RB [1] H203578
 WS [1] H203579
 FT [4] H202410

CVG12BCGH-03

RA [1] H203511
 LA [1] H203512
 FT [4] H202411

SNG12SCGH-03

RA [1] H203481
 LA [1] H203482
 FT [4] H202410

HDG12BCGH-03

RA [1] H203941
 LA [1] H203942
 FT [4] H202411

LIGHT FRENCH GRAY

MUJ49UFGH-03

SB [1] S203534
 PL [2] H203580
 BC [2] H203562
 BV [2] H203582
 SC [2] H203564
 SV [2] H203584

MUM29SFGH-03

CH [1] S203589
 BF [1] S203590
 PL [1] H203580
 BU [1] H203572
 BK [1] H203592
 SU [1] H203574
 SK [1] H203594
 FT [4] H202410

MUJ61UFGH-03

SB [1] S203535
 PL [2] H203580
 BC [2] H203566
 BV [2] H203586
 SC [2] H203568
 SV [2] H203588

MUM29BFGH-03

CH [1] S203589
 BF [1] S203590
 PL [1] H203580
 BU [1] H203572
 BK [1] H203592
 SU [1] H203574
 SK [1] H203594
 FT [4] H202411

MUJ73UFGH-03

SB [1] S203536
 PL [2] H203580
 BC [3] H203562
 BV [3] H203582
 SC [3] H203564
 SV [3] H203584

MUN31BFGH-03

WB [1] S203595
 LB [1] H203596
 RB [1] H203597
 WS [1] H203598
 FT [4] H202411

MUN31SFGH-03

WB [1] S203595
 LB [1] H203596
 RB [1] H203597
 WS [1] H203598
 FT [4] H202410

CVG12BFGH-03

RA [1] H203513
 LA [1] H203514
 FT [4] H202411

SNG12SFGH-03

RA [1] H203483
 LA [1] H203484
 FT [4] H202410

HDG12BCGH-03

RA [1] H203943
 LA [1] H203944
 FT [4] H202411

CREAM

MUJ49UCRH-03

SB [1] S203537
 PL [2] H203599
 BC [2] H203562
 BV [2] H203601
 SC [2] H203564
 SV [2] H203603

MUM29SCRH-03

CH [1] S203608
 BF [1] S203609
 PL [1] H203599
 BU [1] H203572
 BK [1] H203611
 SU [1] H203574
 SK [1] H203613
 FT [4] H202410

MUJ61UCRH-03

SB [1] S203538
 PL [2] H203599
 BC [2] H203566
 BV [2] H203605
 SC [2] H203568
 SV [2] H203607

MUM29BCRH-03

CH [1] S203608
 BF [1] S203609
 PL [1] H203599
 BU [1] H203572
 BK [1] H203611
 SU [1] H203574
 SK [1] H203613
 FT [4] H202411

MUJ73UCRH-03

SB [1] S203539
 PL [2] H203599
 BC [3] H203562
 BV [3] H203601
 SC [3] H203564
 SV [3] H203603

MUN31BCRH-03

WB [1] S203614
 LB [1] H203615
 RB [1] H203616
 WS [1] H203617
 FT [4] H202411

MUN31SCRH-03

WB [1] S203614
 LB [1] H203615
 RB [1] H203616
 WS [1] H203617
 FT [4] H202410

CVG12BCRH-03

RA [1] H203515
 LA [1] H203516
 FT [4] H202411

SNG12SCRH-03

RA [1] H203485
 LA [1] H203486
 FT [4] H202410

HDG12BCRH-03

RA [1] H203945
 LA [1] H203946
 FT [4] H202411

BEIGE

MUJ49UBGH-03

SB [1] S203540
 PL [2] H203618
 BC [2] H203562
 BV [2] H203620
 SC [2] H203564
 SV [2] H203622

MUM29SBGH-03

CH [1] S203627
 BF [1] S203628
 PL [1] H203618
 BU [1] H203572
 BK [1] H203630
 SU [1] H203574
 SK [1] H203632
 FT [4] H202410

MUJ61UBGH-03

SB [1] S203541
 PL [2] H203618
 BC [2] H203566
 BV [2] H203624
 SC [2] H203568
 SV [2] H203626

MUM29BBGH-03

CH [1] S203627
 BF [1] S203628
 PL [1] H203618
 BU [1] H203572
 BK [1] H203630
 SU [1] H203574
 SK [1] H203632
 FT [4] H202411

MUJ73UBGH-03

SB [1] S203542
 PL [2] H203618
 BC [3] H203562
 BV [3] H203620
 SC [3] H203564
 SV [3] H203622

MUN31BBGH-03

WB [1] S203633
 LB [1] H203634
 RB [1] H203635
 WS [1] H203636
 FT [4] H202411

MUN31SBGH-03

WB [1] S203633
 LB [1] H203634
 RB [1] H203635
 WS [1] H203636
 FT [4] H202410

CVG12BBGH-03

RA [1] H203517
 LA [1] H203518
 FT [4] H202411

SNG12SBGH-03

RA [1] H203487
 LA [1] H203488
 FT [4] H202410

HDG12BBGH-03

RA [1] H203947
 LA [1] H203948
 FT [4] H202411

TURKISH BLUE

MUJ49UTBH-03

SB [1] S203543
 PL [2] H203637
 BC [2] H203562
 BV [2] H203639
 SC [2] H203564
 SV [2] H203641

MUM29STBH-03

CH [1] S203646
 BF [1] S203647
 PL [1] H203637
 BU [1] H203572
 BK [1] H203649
 SU [1] H203574
 SK [1] H203651
 FT [4] H202410

MUJ61UTBH-03

SB [1] S203544
 PL [2] H203637
 BC [2] H203566
 BV [2] H203643
 SC [2] H203568
 SV [2] H203645

MUM29BTBH-03

CH [1] S203646
 BF [1] S203647
 PL [1] H203637
 BU [1] H203572
 BK [1] H203649
 SU [1] H203574
 SK [1] H203651
 FT [4] H202411

MUJ73UTBH-03

SB [1] S203545
 PL [2] H203637
 BC [3] H203562
 BV [3] H203639
 SC [3] H203564
 SV [3] H203641

MUN31BTBH-03

WB [1] S203652
 LB [1] H203653
 RB [1] H203654
 WS [1] H203655
 FT [4] H202411

MUN31STBH-03

WB [1] S203652
 LB [1] H203653
 RB [1] H203654
 WS [1] H203655
 FT [4] H202410

CVG12BTBH-03

RA [1] H203519
 LA [1] H203520
 FT [4] H202411

SNG12STBH-03

RA [1] H203489
 LA [1] H203490
 FT [4] H202410

HDG12BCRH-03

RA [1] H203949
 LA [1] H203950
 FT [4] H202411

DARK GRAY

MUJ49UDGM-03

SB [1] S203546
 PL [2] H203656
 BC [2] H203562
 BV [2] H203658
 SC [2] H203564
 SV [2] H203660

MUM29SDGM-03

CH [1] S203665
 BF [1] S203666
 PL [1] H203656
 BU [1] H203572
 BK [1] H203668
 SU [1] H203574
 SK [1] H203670
 FT [4] H202410

MUJ61UDGM-03

SB [1] S203547
 PL [2] H203656
 BC [2] H203566
 BV [2] H203662
 SC [2] H203568
 SV [2] H203664

MUM29BDGM-03

CH [1] S203665
 BF [1] H203666
 PL [1] H203656
 BU [1] H203572
 BK [1] H203668
 SU [1] H203574
 SK [1] H203670
 FT [4] H202411

MUJ73UDGM-03

SB [1] S203548
 PL [2] H203656
 BC [3] H203562
 BV [3] H203658
 SC [3] H203564
 SV [3] H203660

MUN31BDGM-03

WB [1] S203671
 LB [1] H203672
 RB [1] H203673
 WS [1] H203674
 FT [4] H202411

MUN31SDGM-03

WB [1] S203671
 LB [1] H203672
 RB [1] H203673
 WS [1] H203674
 FT [4] H202410

CVG12BDGM-03

RA [1] H203521
 LA [1] H203522
 FT [4] H202411

SNG12SDGM-03

RA [1] H203491
 LA [1] H203492
 FT [4] H202410

FLG12SDGM-03

RA [1] H203501
 LA [1] H203502
 FT [4] H202410

LIGHT GRAY

MUJ49ULGM-03

SB [1] S203549
 PL [2] H203675
 BC [2] H203562
 BV [2] H203677
 SC [2] H203564
 SV [2] H203679

MUM29SLGM-03

CH [1] S203684
 BF [1] S203685
 PL [1] H203675
 BU [1] H203572
 BK [1] H203687
 SU [1] H203574
 SK [1] H203689
 FT [4] H202410

MUJ61ULGM-03

SB [1] S203550
 PL [2] H203675
 BC [2] H203566
 BV [2] H203681
 SC [2] H203568
 SV [2] H203683

MUM29BLGM-03

CH [1] S203684
 BF [1] S203685
 PL [1] H203656
 BU [1] H203572
 BK [1] H203687
 SU [1] H203574
 SK [1] H203689
 FT [4] H202411

MUJ73ULGM-03

SB [1] S203551
 PL [2] H203675
 BC [3] H203562
 BV [3] H203677
 SC [3] H203564
 SV [3] H203679

MUN31BLGM-03

WB [1] S203690
 LB [1] H203691
 RB [1] H203692
 WS [1] H203693
 FT [4] H202411

MUN31SLGM-03

WB [1] S203690
 LB [1] H203691
 RB [1] H203692
 WS [1] H203693
 FT [4] H202410

CVG12BLGM-03

RA [1] H203523
 LA [1] H203524
 FT [4] H202411

SNG12SLGM-03

RA [1] H203493
 LA [1] H203494
 FT [4] H202410

FLG12SLGM-03

RA [1] H203503
 LA [1] H203504
 FT [4] H202410

LIGHT BEIGE

MUJ49ULBM-03

SB [1] S203552
 PL [2] H203694
 BC [2] H203562
 BV [2] H203696
 SC [2] H203564
 SV [2] H203698

MUM29SLBM-03

CH [1] S203703
 BF [1] S203704
 PL [1] H203694
 BU [1] H203572
 BK [1] H203706
 SU [1] H203574
 SK [1] H203708
 FT [4] H202410

MUJ61ULBM-03

SB [1] S203553
 PL [2] H203694
 BC [2] H203566
 BV [2] H203700
 SC [2] H203568
 SV [2] H203702

MUM29BLBM-03

CH [1] S203703
 BF [1] S203704
 PL [1] H203694
 BU [1] H203572
 BK [1] H203706
 SU [1] H203574
 SK [1] H203708
 FT [4] H202411

MUJ73ULBM-03

SB [1] S203554
 PL [2] H203694
 BC [3] H203562
 BV [3] H203696
 SC [3] H203564
 SV [3] H203698

MUN31BLBM-03

WB [1] S203709
 LB [1] H203710
 RB [1] H203711
 WS [1] H203712
 FT [4] H202411

MUN31SLBM-03

WB [1] S203709
 LB [1] H203710
 RB [1] H203711
 WS [1] H203712
 FT [4] H202410

CVG12BLBM-03

RA [1] H203525
 LA [1] H203526
 FT [4] H202411

SNG12SLBM-03

RA [1] H203495
 LA [1] H203496
 FT [4] H202410

FLG12SLBM-03

RA [1] H203505
 LA [1] H203506
 FT [4] H202410

TAN

MUJ49UTNM-03

SB [1] S203555
 PL [2] H203713
 BC [2] H203562
 BV [2] H203715
 SC [2] H203564
 SV [2] H203717

MUM29STNM-03

CH [1] S203722
 BF [1] S203723
 PL [1] H203713
 BU [1] H203572
 BK [1] H203725
 SU [1] H203574
 SK [1] H203727
 FT [4] H202410

MUJ61UTNM-03

SB [1] S203556
 PL [2] H203713
 BC [2] H203566
 BV [2] H203719
 SC [2] H203568
 SV [2] H203721

MUM29BTNM-03

CH [1] S203722
 BF [1] S203723
 PL [1] H203713
 BU [1] H203572
 BK [1] H203725
 SU [1] H203574
 SK [1] H203727
 FT [4] H202411

MUJ73UTNM-03

SB [1] S203557
 PL [2] H203713
 BC [3] H203562
 BV [3] H203715
 SC [3] H203564
 SV [3] H203717

MUN31BTNM-03

WB [1] S203728
 LB [1] H203729
 RB [1] H203730
 WS [1] H203731
 FT [4] H202411

MUN31STNM-03

WB [1] S203728
 LB [1] H203729
 RB [1] H203730
 WS [1] H203731
 FT [4] H202410

CVG12BTNM-03

RA [1] H203527
 LA [1] H203528
 FT [4] H202411

SNG12STNM-03

RA [1] H203497
 LA [1] H203498
 FT [4] H202410

FLG12STNM-03

RA [1] H203507
 LA [1] H203508
 FT [4] H202410

CHOCOLATE BROWN

MUJ49UCBM-03

SB [1] S203558
 PL [2] H203732
 BC [2] H203562
 BV [2] H203734
 SC [2] H203564
 SV [2] H203736

MUM29SCBM-03

CH [1] S203741
 BF [1] S203742
 PL [1] H203732
 BU [1] H203572
 BK [1] H203744
 SU [1] H203574
 SK [1] H203746
 FT [4] H202410

MUJ61UCBM-03

SB [1] S203559
 PL [2] H203732
 BC [2] H203566
 BV [2] H203738
 SC [2] H203568
 SV [2] H203740

MUM29BCBM-03

CH [1] S203741
 BF [1] S203742
 PL [1] H203732
 BU [1] H203572
 BK [1] H203744
 SU [1] H203574
 SK [1] H203746
 FT [4] H202411

MUJ73UCBM-03

SB [1] S203560
 PL [2] H203732
 BC [3] H203562
 BV [3] H203734
 SC [3] H203564
 SV [3] H203736

MUN31BCBM-03

WB [1] S203747
 LB [1] H203748
 RB [1] H203749
 WS [1] H203750
 FT [4] H202411

MUN31SCBM-03

WB [1] S203747
 LB [1] H203748
 RB [1] H203749
 WS [1] H203750
 FT [4] H202410

CVG12BCBM-03

RA [1] H203529
 LA [1] H203530
 FT [4] H202411

SNG12SCBM-03

RA [1] H203499
 LA [1] H203500
 FT [4] H202410

FLG12SCBM-03

RA [1] H203509
 LA [1] H203510
 FT [4] H202410

THIS PAGE INTENTIONALLY LEFT BLANK

THIS PAGE INTENTIONALLY LEFT BLANK

THIS PAGE INTENTIONALLY LEFT BLANK

WARRANTY INFORMATION/INFORMATIONS POUR LA GARANTIE/INFORMACIÓN DE GARANTÍA

BESTAR-BUSH'S WRITTEN WARRANTY TO YOU

In order to provide you with timely assistance, please thoroughly inspect your furniture for missing or defective parts immediately after opening the carton. To receive replacement or missing parts under this warranty, call our Consumer Service Department TOLL-FREE at 1-800-950-4782. Please have the Model, Part, and Lot Numbers found in the instruction manual available for your reference. You will also need your sales receipt or other proof of purchase. Replacement part(s) will be shipped to you at no charge with Bestar-Bush assuming all shipping and handling charges.

This Bestar-Bush product is warranted to the original purchaser at the time of purchase and for a period of one year thereafter.

We warrant to you, the original purchaser, that our furniture and all its parts and components are free of defects in material or workmanship. "Defects," as used in this warranty, is defined as any imperfection which impairs the use of the furniture product.

Our warranty is expressly limited to the replacement of furniture parts and components. For one year after the date of purchase, Bestar-Bush will replace any parts that are defective in material or workmanship.

This warranty applies under conditions of normal use. Our Bestar-Bush products are not intended for outdoor use. This warranty does not cover: 1) defects caused by improper assembly or disassembly; 2) defects occurring after purchase due to product modification, intentional damage, accident, misuse, abuse, negligence or exposure to the elements; 3) labor or assembly costs, and 4) Batteries are not included.

IMPLIED WARRANTIES, INCLUDING THE WARRANTY OF MERCHANTABILITY, SHALL NOT EXTEND BEYOND THE DURATION OF THE WRITTEN WARRANTY STATED ABOVE, AND IN NO EVENT SHALL BESTAR-BUSH BE LIABLE FOR INCIDENTAL OR CONSEQUENTIAL DAMAGES RESULTING FROM USE OF THE PRODUCT. Some states do not allow a limitation on how long an implied warranty lasts or the exclusion or limitation of incidental or consequential damages, so the above limitation and exclusion may not apply to you.

This warranty gives you specific legal rights. You may also have other rights that may vary from state to state.

VOTRE GARANTIE BESTAR-BUSH

Afin de vous assister rapidement, veuillez inspecter votre mobilier en détail immédiatement après l'ouverture du carton en cas de pièces manquantes ou défectueuses. Pour recevoir une pièce de rechange ou manquante couverte par cette garantie, appelez notre département de service clientèle GRATUITEMENT au 1-800-950-4782. Veuillez tenir à disposition les numéros de modèle, de pièce et de lot qui se trouvent dans le manuel d'instruction pour votre référence. Vous aurez également besoin de votre reçu ou d'une autre preuve d'achat. La (les) pièce(s) de rechange vous sera (seront) envoyée(s) sans frais, Bestar-Bush se chargeant de tous les frais d'expédition.

Tout le produit Bestar-Bush est garanti à l'acheteur original à partir de la date d'achat pour une période d'un an.

Nous vous garantissons, à vous l'acheteur original, que notre mobilier et toutes ses pièces et composants sont sans défaut de matériau ou de fabrication. Le terme "défauts" utilisé dans cette garantie, est défini comme étant toutes les imperfections qui compromettent l'utilisation du meuble.

Notre garantie est expressément limitée au remplacement des pièces et des composants du mobilier. Pendant un an après la date d'achat, Bestar-Bush remplacera toute pièce défectueuse dans le matériau ou sa fabrication.

Cette garantie d'applique sous des conditions d'utilisation normale. Nos produits ne sont pas destinés à être utilisés en plein air. Cette garantie ne couvre pas: 1) les défauts causés par un mauvais assemblage ou démontage, 2) les défauts ayant lieu après l'achat et dus à la modification du produit, des dommages intentionnels, des accidents, une mauvaise utilisation, un mauvais traitement, la négligence ou l'exposition aux éléments, 3) les frais de main d'œuvre ou d'assemblage et 4) les piles ne sont pas incluses.

LES GARANTIES TACITES, Y COMPRIS LA GARANTIE DE QUALITE MARCHANDE, NE S'ETENDRONT PAS AU-DELA DE LA DUREE ECRITE CITEE CI-DESSUS, ET BESTAR-BUSH NE SERA EN AUCUN CAS RESPONSABLE DES DOMMAGES ACCESSOIRES OU INDIRECTS RESULTANT DE L'UTILISATION DU PRODUIT. Certains états ne permettent pas d'appliquer une limite à la durée de la garantie tacite, ni une exclusion ou limitation des dommages accessoires ou indirects; dans ce cas les limitations ou exclusion ci-dessus peuvent ne pas s'appliquer à vous.

Cette garantie vous donne des droits légaux spécifiques. Il se peut que vous ayez également d'autres droits qui peuvent varier d'un état à l'autre.

GARANTIA ESCRITA DE BESTAR-BUSH PARA USTED

Para brindarle asistencia oportuna, por favor, verifique detalladamente que a su mueble no le falte o tenga piezas defectuosas inmediatamente después de abrir la caja. Para recibir un reemplazo o la parte faltante bajo esta garantía, llame a nuestro Departamento de Servicio al Consumidor GRATIS al 1-800-950-4782. Sírvase traer los números de modelo, parte y lote que se encuentran en el manual de instrucciones disponible para su referencia. Además, necesitará el recibo de su compra u otra prueba de compra. La(s) pieza(s) de reemplazo le será(n) enviada(s) sin recargo por Bestar-Bush asumiendo los gastos de envío y manipuleo.

Todo mueble de Bestar-Bush es garantizado al comprador original al momento de la compra y por un periodo de uno año en adelante.

Le garantizamos a usted, el comprador original, que nuestros muebles sus partes y componentes están libres de defectos en materiales o trabajo. "Defectos", según se usa en esta garantía, se define como una imperfección que perjudica el uso del producto mobiliario.

Nuestra garantía se limita expresamente al reemplazo de partes y componentes mobiliarios. Durante uno año después de la fecha de compra, Bestar-Bush reemplazará cualquier parte defectuosa en material o trabajo.

Esta garantía se aplica bajo condiciones de uso normal. Nuestros productos de Bestar-Bush no son para uso en exteriores. Esta garantía no cubre: 1) defectos causados por un ensamblaje o desensamblaje inadecuado; 2) defectos que ocurran después de la compra debido a modificación del producto, daño intencional, accidente, mal uso, abuso, negligencia o exposición a los elementos; 3) costos de trabajo o ensamblaje y 4) Las baterías no están incluidas.

LAS GARANTÍAS IMPLICADAS, INCLUYENDO LA GARANTÍA DE COMERCIABILIDAD, NO SE EXTENDERÁN MÁS ALLÁ DE LA DURACIÓN DE LA GARANTÍA ESCRITA MENCIONADA, Y EN NINGÚN CASO BESTAR-BUSH SERÁ RESPONSABLE POR DAÑOS INCIDENTALES O CONSIGUIENTES COMO RESULTADO DEL USO DEL PRODUCTO. Algunos estados no permiten una limitación sobre el tiempo de duración de la garantía implicada o la exclusión o limitación de daños incidentales o consiguientes, de manera que la limitación y exclusión mencionadas pueden no aplicarse para usted.

Esta garantía le otorga derechos legales específicos. Puede también tener otros derechos que pueden variar según los estados.

1-Year
Manufacturer's
Warranty

Register your product online:

Scan the QR Code or go to
<https://bushfurniture.com/activate-warranty/>



Assembly tips & how to videos:

Scan the QR Code to access our video guides
<https://bushfurniture.com/help-faq/#assembling>

