



Item No: W-7484A
 Fantasy Fields - Magic Garden
 Table & Set of 2 Chairs

WARNING

Small parts and sharp points may be present prior to assembly.

CARE INSTRUCTIONS

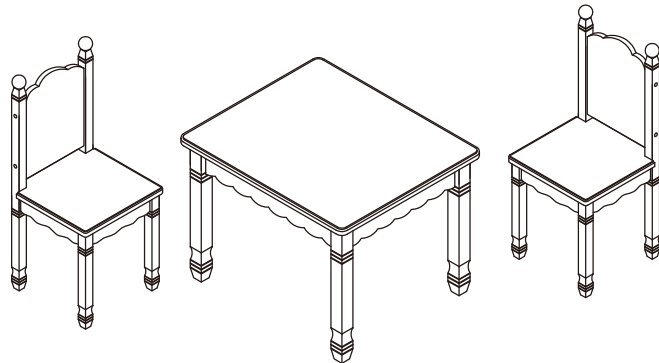
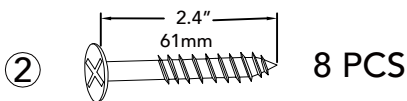
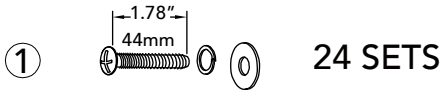
To clean your product, use mild soap and water on a damp cloth. Do not use window cleaners or cleaning abrasives as they will scratch the surface and could damage the protective coating.

CUSTOMER SERVICE

For questions regarding this product, or to receive replacement or missing parts, please contact customer service based on your location. Please have ready the model number and part number(s) located in this assembly instruction sheet when you contact us.

Made in China

HARDWARE

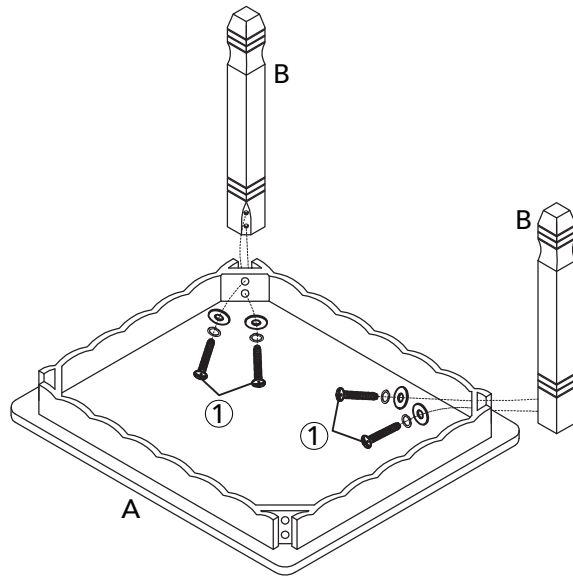


PRODUCT PARTS

<p>A</p> <p>1PC</p>	<p>B</p> <p>4PCS</p>	<p>C</p> <p>2PCS</p>	<p>D</p> <p>2PCS</p>
<p>E</p> <p>2PCS</p>	<p>F</p> <p>4PCS</p>	<p>G</p> <p>2PCS</p>	

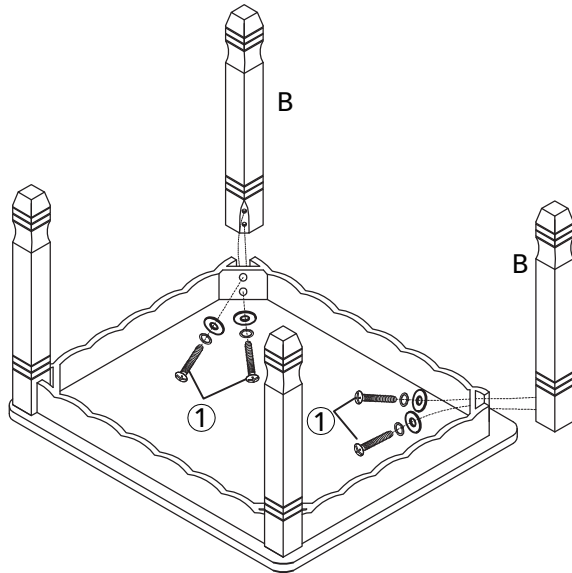
STEP1

① $\frac{1.73"}{6 \times 44 \text{mm}}$ 4SETS



STEP2

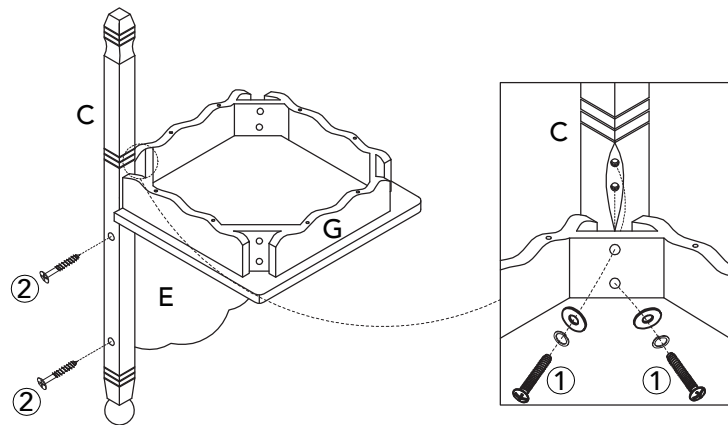
① $\frac{1.73"}{6 \times 44 \text{mm}}$ 4SETS




STEP3

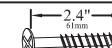
① $\frac{1.73"}{6 \times 44 \text{mm}}$ 2SETS

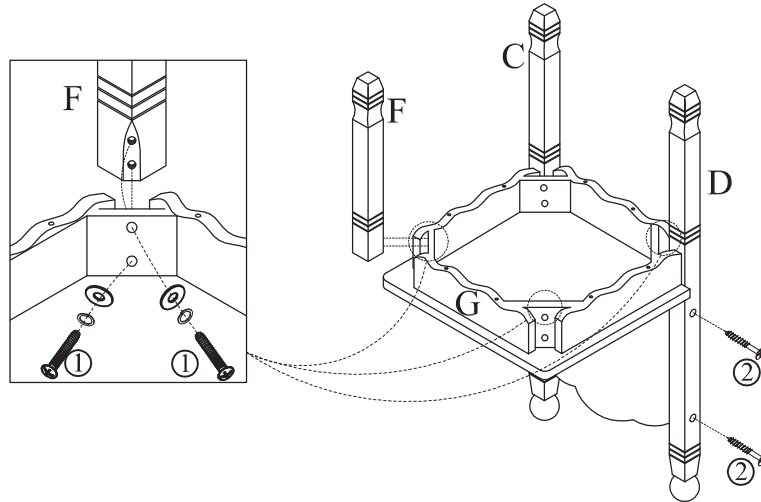
② $\frac{2.4"}{61 \text{mm}}$ 2PCS



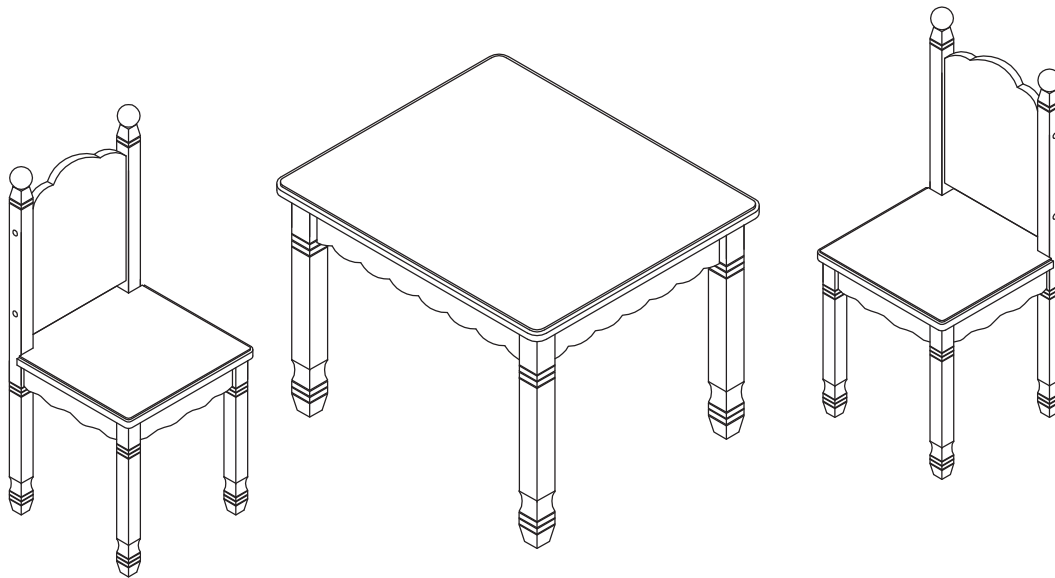
STEP 4

①  6SETS

②  2PCS



STEP 5



(Finished Product)

MADE IN CHINA