

ASSEMBLY INSTRUCTIONS

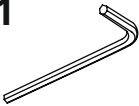
REDDY RADIUS ARCH SIDE TABLE

x12



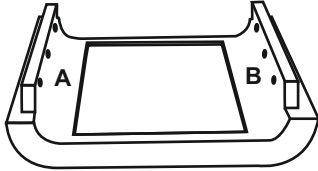
ALLEN SCREWS

x1



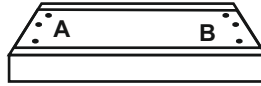
ALLEN KEY

x1



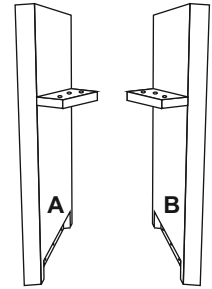
WOODEN TOP

x1



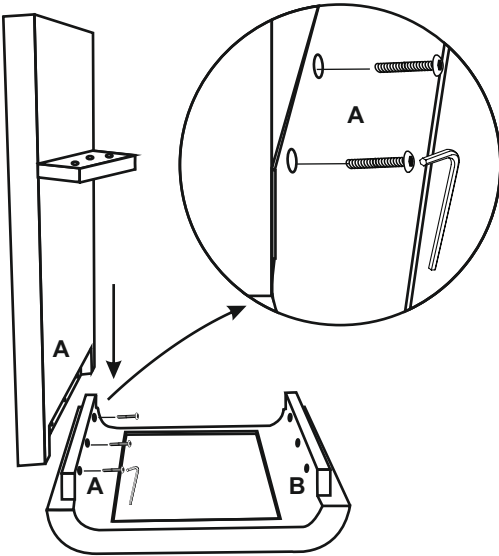
WOODEN SHELF

x2



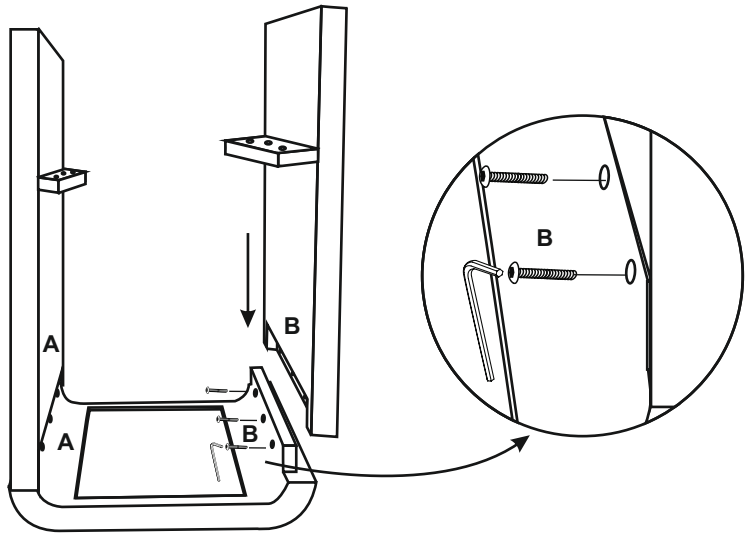
WOODEN LEGS

STEP-1



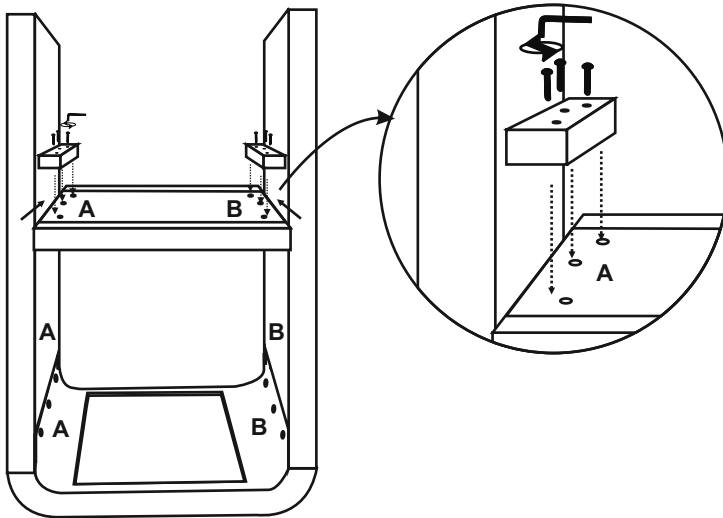
Align leg A as indicated and fix wood top with the help of Allen screws. Partially tighten the screws to approx 50%

STEP-2



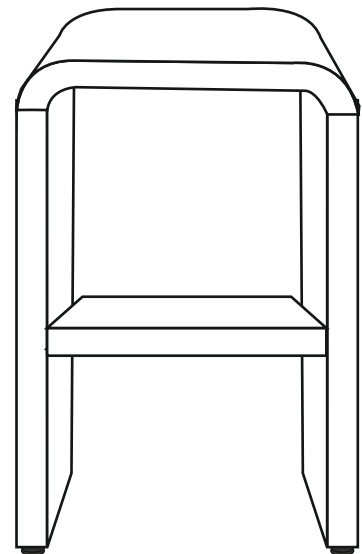
Align leg B as indicated and fix wood top with the help of Allen screws. Partially tighten the screws to approx 50%

STEP-3



Align wood shelf with the help of Allen screws as shown considering marking. Ensure all screws are fully tightened.

READY TO USE



Flip the table and adjust the Levellers if needed to balance on floor.