





HOOKER[®]

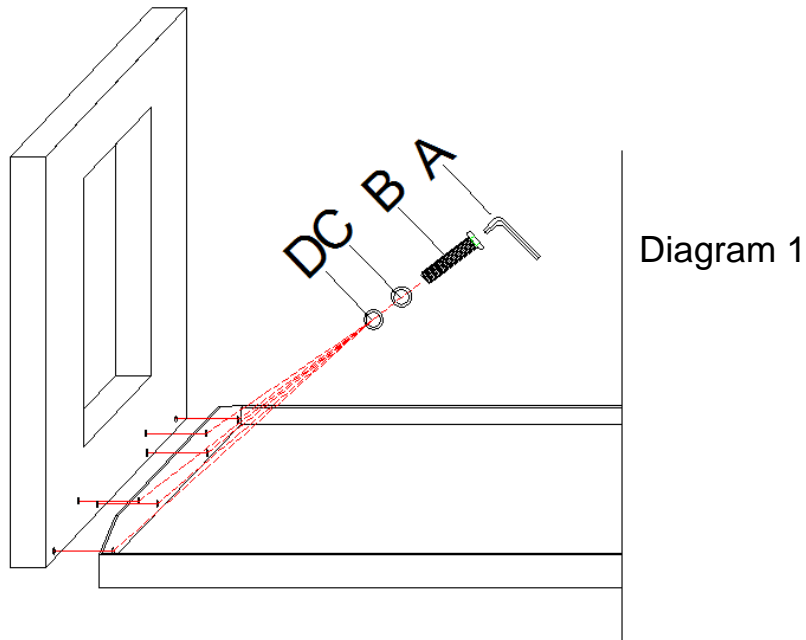
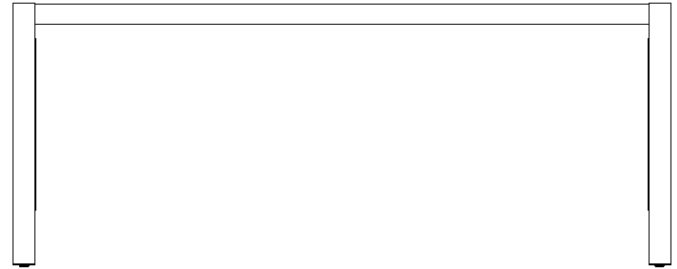
— FURNITURE —

ASSEMBLY INSTRUCTION

Item#: 638-85453-00 Joni Console

**** Please make sure you have all parts indicated below prior to assembly.**
This unit is heavy and can best be assembled with the help of two or more people.

NO.	HARDWARE LIST		Q'TY
A		ALLEN WRENCH	1
B		BOLT	12
C		LOCK WASHER	12
D		FLAT WASHER	12



Assembly steps:

1. Place console top upside down on a soft place to prevent it from being scratched.
2. Attach two side frames to console top by using flat washers (D), lock washers (C) and bolts (B), secure by turning with allen wrench (A) in a clockwise direction. (See Diagram 1)
3. Turn console upright.

Cleaning Instruction: Clean finished parts with a damp cloth using a mild dishwashing liquid and water solution. Polish the finish with soft cloth and an industry recognized furniture polish.