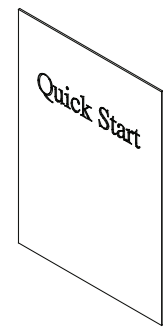
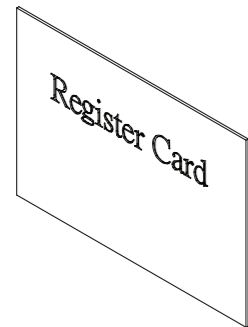


BP240VL3U01/ BP240VL3U02 QUICK START GUIDE

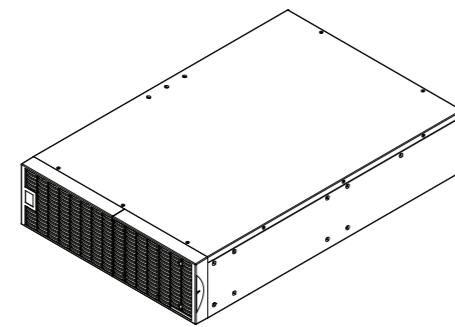
UNPACKING



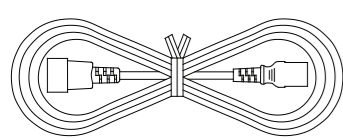
QUICK START GUIDE x1



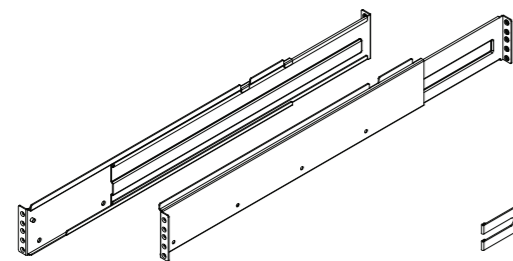
REGISTRATION CARD x2



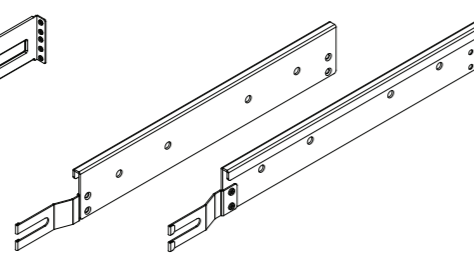
EXTENDED BATTERY MODULE (EBM) x1



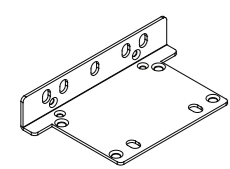
IEC320 C14 TO IEC320 C13
POWER CORD RT GUIDE x1



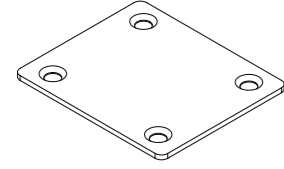
LEFT & RIGHT RACKMOUNT
RAILS x1 EACH



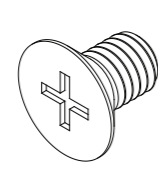
LEFT & RIGHT HANGING
BRACKETS x1 EACH



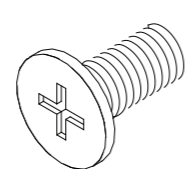
3U RACKMOUNT EARS
(TOWER STANDS) x2



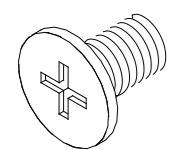
TOWER INSTALLATION
TIE PLATE x1



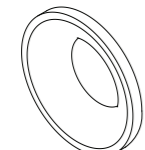
M5X7L BLACK FLAT
HEAD SCREWS x8



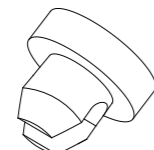
M5X12L BLACK PAN
HEAD SCREWS x12



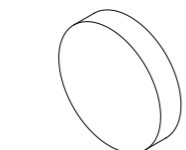
M5X6L SILVER PAN
HEAD SCREWS x6



PLASTIC WASHERS x8



SCREW HOLE DUST
COVERS x14



RUBBER PADS x12

Need Additional Help? Feel free to contact our Tech Support department with installation, troubleshooting, or general product questions.

CyberPower Technical Support | 1-877-297-6937 | tech@cpsww.com | www.CyberPowerSystems.com
Mailing Address: 4241 12th Avenue E, Suite 400, Shakopee, MN 55379, USA
Hours of Operation: Monday-Friday, 7:00am-6:00pm (CST)

IMPORTANT SAFETY INSTRUCTIONS

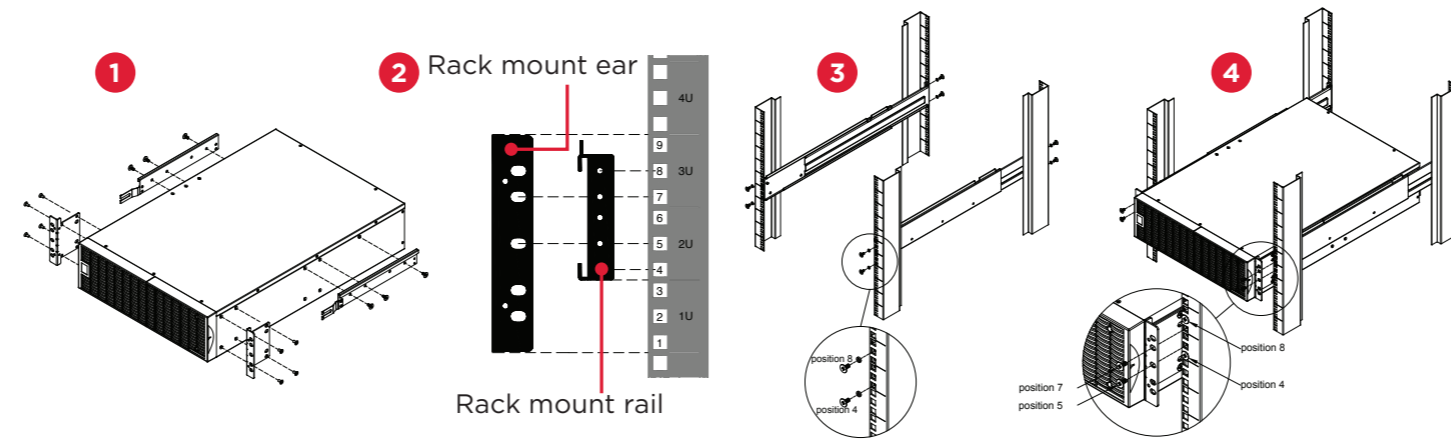
This Quick Start Guide contains important instructions. Please read and follow all instructions carefully during the installation and operation of the unit. Read this Quick Start Guide thoroughly before attempting to unpack, install, or operate this unit.

This document is believed to be accurate, but CyberPower reserves the right to change or correct the contents and does not assume any responsibility for omissions or errors. Entire contents copyright ©2018 CyberPower Systems, Inc. All rights reserved. Reproduction in whole or in part without permission is prohibited.

K01-0000704-00

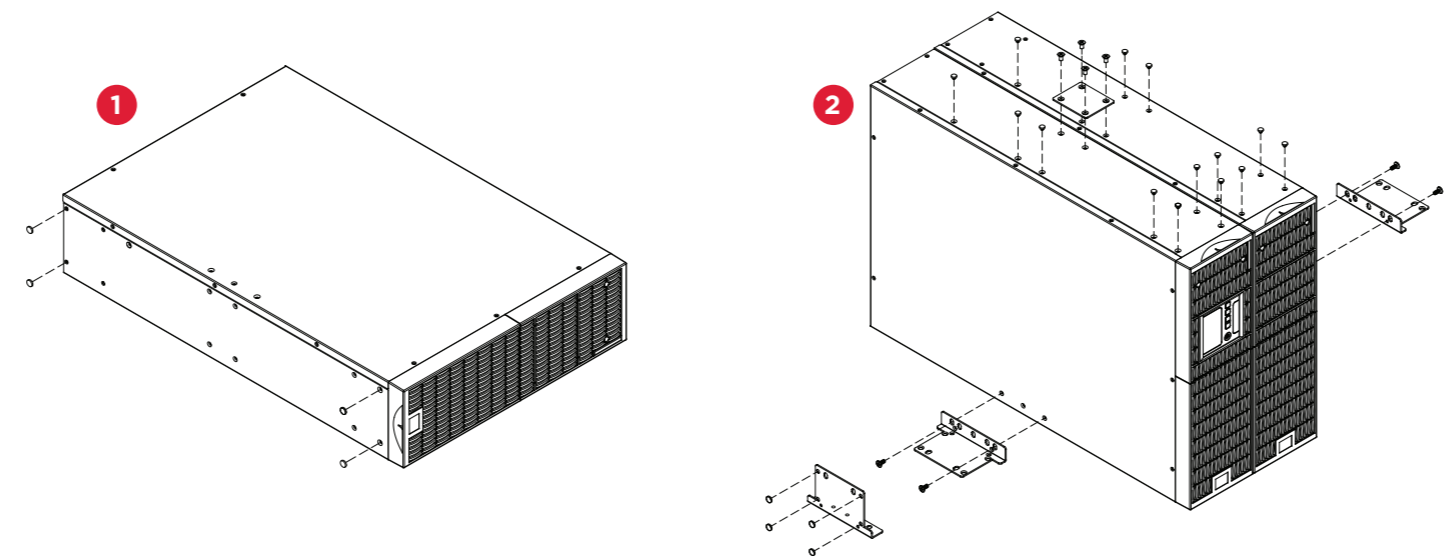
RACKMOUNT INSTALLATION

1. Install rack mount ears to the extended battery module (EBM) using eight black M5X7L flat head screws. Install hanging brackets using six silver M5X6L pan head screws.
2. Locate the space where the extended battery module will be installed in the rack.
3. Install the rackmount rails using eight black M5X12L pan head screws with plastic washers and adjust the rails to the necessary rack depth.
4. Place the extended battery module on to the rackmount rails. Make sure both left and right hanging brackets are securely on the rackmount rails. Secure the extended battery module with the rack mount ears to the rack using four black M5X12L pan head screws.



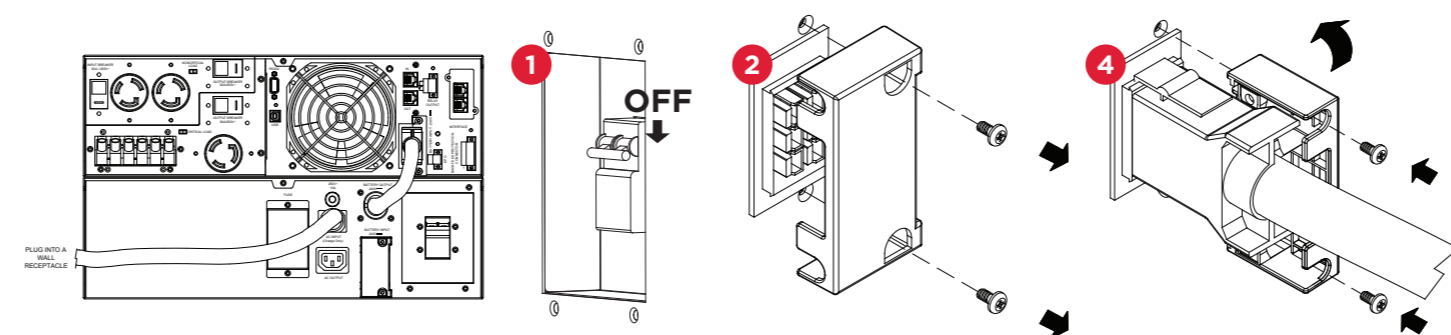
TOWER INSTALLATION

1. Adhere four circular rubber pads to the left hand side of the extended battery module. This will become the bottom side.
2. Stand the extended battery module on its side with the rubber pads facing down. Install dust covers on open screw holes. If installing the extended battery module together with a UPS or an additional EBM secure the tie plate between the two using four black M5X7L flat head screws. Optionally adhere four circular rubber pads to each rack mount ear to use as tower stands. Screw the tower stands on to the EBM and UPS using four black M5X12L pan head screws for added stability as shown below.



CONNECTING UPS TO EXTENDED BATTERY MODULE

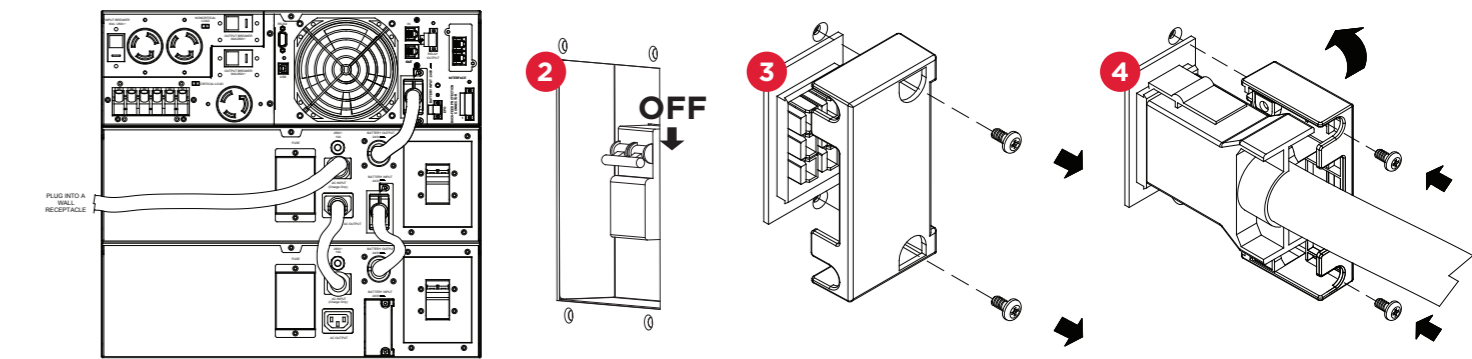
1. Turn off the DC breaker on the EBM.
2. Loosen the two screws to remove the battery cable retention bracket of the power module.
3. Use the output cable of the EBM to connect it to the power module.
4. Rotate the battery cable retention bracket and tighten the two screws to secure the battery connector.
5. Turn on the DC breaker on the EBM.



- CAUTION!** Installation environment should be in a temperature and humidity controlled indoor area free of conductive contaminants. Do not install this EBM where excessive moisture or heat is present (Please see specifications for acceptable temperature and humidity range).
- CAUTION!** Never install an EBM, or associated wiring or equipment, during a lightning storm.
- CAUTION!** Do not work alone under hazardous conditions.
- CAUTION!** Risk of electric shock, do not remove top cover.
- CAUTION!** The battery can energize hazardous live parts inside even when the AC input power is disconnected.

CONNECTING UPS TO MULTIPLE EXTENDED BATTERY MODULES

1. Connect the 1st EBM to the UPS power module following the "Connecting UPS to Extended Battery Module" instructions.
2. Turn off the DC breaker of the 2nd EBM.
3. Loosen the two screws to remove the battery cable retention bracket of the 1st EBM.
4. Use the output cable of the 2nd EBM to connect it to the 1st EBM. Rotate the battery cable retention bracket and tighten the two screws to secure the battery connector.
5. Turn on the DC breaker on the 2nd EBM.
6. Proceed to the **External Battery Module Configuration** instructions to set the EBM Number to the quantity of additional units installed with the UPS system. This operation can also be done if there is an RMCARD installed in the UPS, or via PowerPanel® Business Edition Agent software. Please see their respective User's Manuals for instructions.



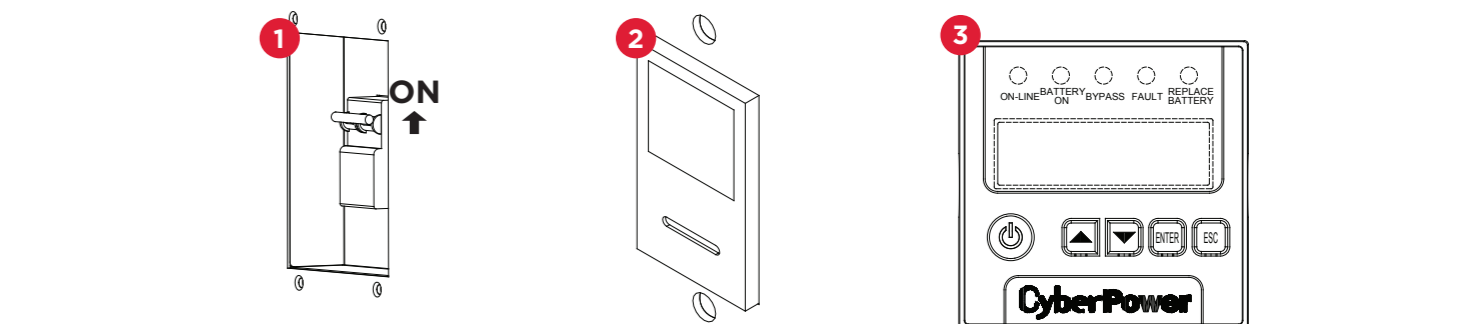
EXTERNAL BATTERY MODULE CONFIGURATION

- External Battery Modules can be configured by the user to display correct estimated battery runtimes.
1. Press the "ENTER" button to activate the "MAIN MENU."
 2. Press the "▲" and "▼" buttons to scroll to the "Configure" menu.
 3. Press the "ENTER" button to select the "Configure" menu.
 4. Press the "▲" and "▼" buttons to scroll to the "EBM Number" option.
 5. Press the "ENTER" button to select the "EBM Number" option. The first configuration number will be displayed on the second column of LCD display.
 6. Press the "▲" and "▼" buttons to scroll through the number of attached Battery modules. NOTE: The first EBM is recognized by the UPS system as number zero "0". Set the EBM Number to the quantity of additional units installed with the UPS system.
 7. Press the "ENTER" button to select the number of EBM installed. You will be prompted to save the selection. Press the "ENTER" button to save.
 8. Press the "ESC" button to cancel or return to the previous LCD menu.

CONFIGURE SUBMENU	AVAILABLE SETTINGS	DEFAULT SETTINGS
EBM Number	= [0] [1] [2] [3] [4] [5] [6] [7] [8] [9] [10] Sets the quantity of EBM (extended battery modules) number to get the correct estimated runtime.	0

POWER ON THE UPS SYSTEM

1. Switch EBM DC breaker to the ON position.
2. Switch the utility circuit breaker feeding the UPS to the ON position.
3. Turn the UPS ON - push and hold the ON/OFF power button for 3 seconds; you will hear continuous beeps, the BATTERY ON yellow LED will first turn on for a couple of seconds followed by the ON-LINE green LED.
4. Customize UPS system configuration settings as needed. See User's Manual for complete details. User Manual is available to download on www.CyberPowerSystems.com.
5. Connect equipment load to the UPS system.



- CAUTION!** Only use replacement batteries which are certified by Cyber Power Systems. Use of incorrect battery type is an electrical hazard that could lead to explosion, fire, electric shock, or short circuit.
- CAUTION!** Batteries contain an electrical charge that can cause severe burns. Before servicing batteries, please remove any conductive materials such as jewelry, chains, wrist watches, and rings.
- CAUTION!** Do not open or mutilate the batteries. Electrolyte fluid is harmful to the skin/eyes and may be toxic.
- CAUTION!** To avoid electric shock, turn off and unplug the EBM from the wall receptacle (if installed) before servicing the battery.
- CAUTION!** Only use tools with insulated handles. Do not lay tools or metal parts on top of the UPS or battery terminals.
- CAUTION!** To prevent the risk of fire or electric shock, only use the supplied hardware to attach the mounting brackets.