

# Kräus®

www.kraususa.com

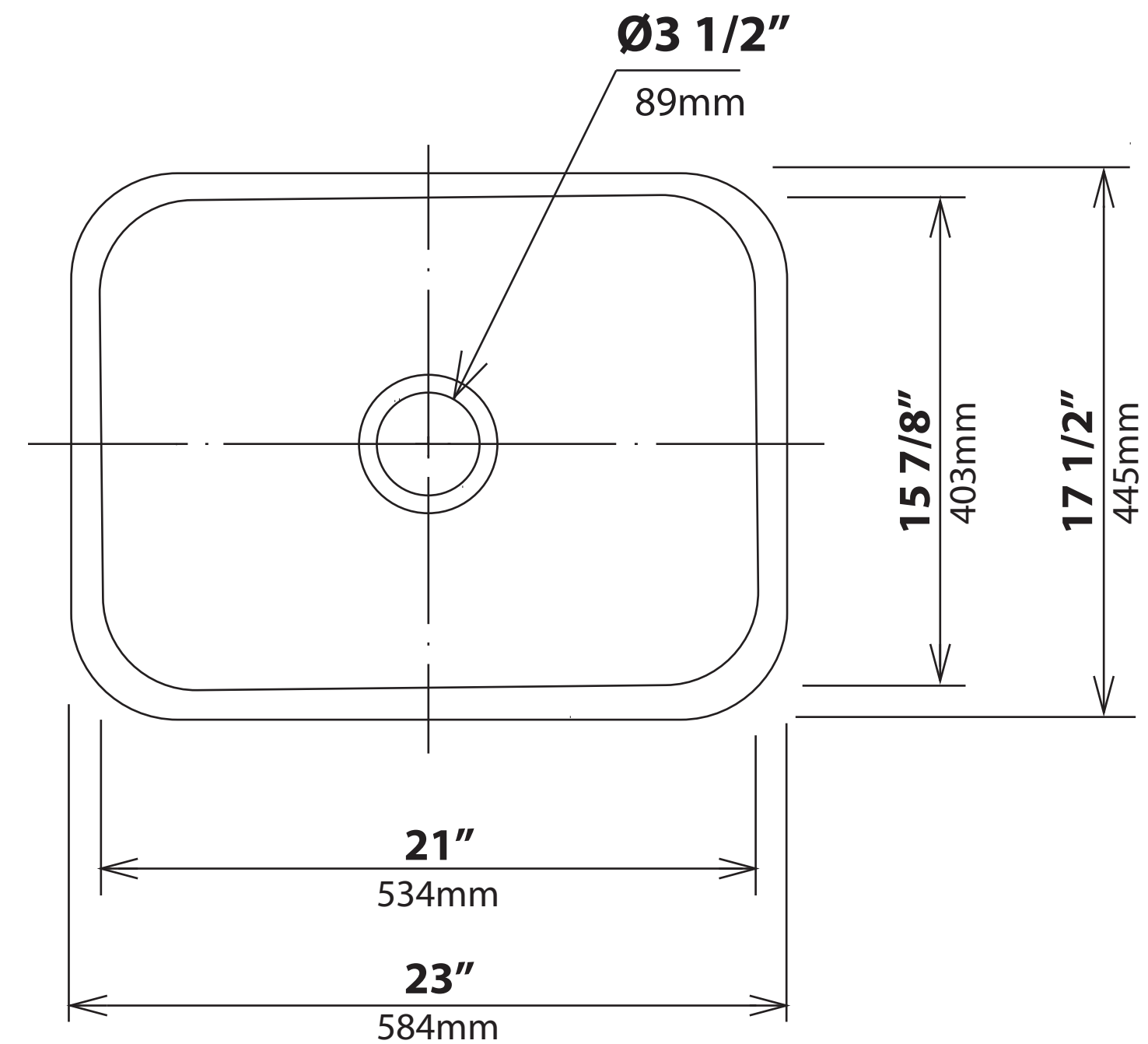
Model No. KBU12/ KBU12E

## Undermount Template

Pro Hotline: 516.801.8955

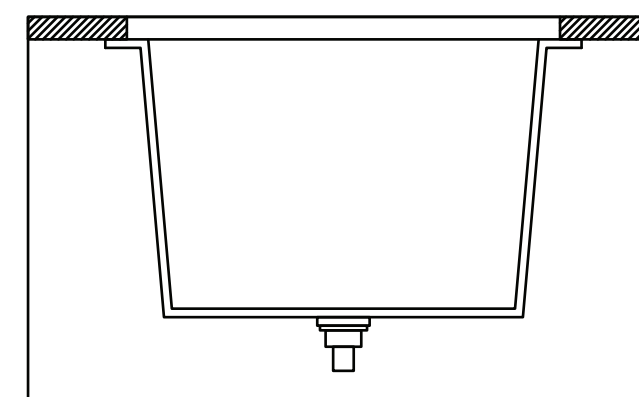
Customer Service: 800.775.0703

**NOTE:** Cutout template is provided as a guide **ONLY** and must be checked against actual sink to verify correct fit.

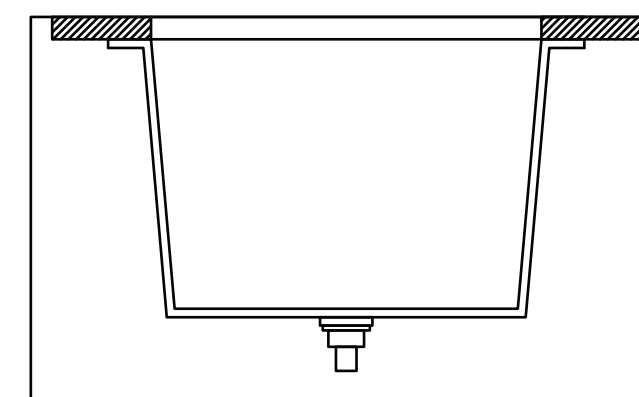


- ← Please cut along inner solid line for negative reveal 1/8"
- ← Please tear perforated edge for zero / flushed reveal
- ← Please use outer edge for positive reveal 3/8"

SPECIFICATION C: 3/8" POSITIVE REVEAL



SPECIFICATION A: ZERO / FLUSH REVEAL



SPECIFICATION B: 1/8" NEGATIVE REVEAL

