

Raindance Select S Showerpipe 240 2-Jet, 2.5 GPM

Finishes : **brushed nickel** Part no. : **27129821**



Description

Features

- Height-adjustable hand shower holder
- Flow: 2.5 GPM (9.5 L/Min)
- Shower arm swivels left and right
- Anti-scald 100° safety stop
- Integrated volume control/diverter for 2 functions
- Outlets may not be operated simultaneously
- Exposed installation
- Thermostatic cartridge
- Built-in service stops

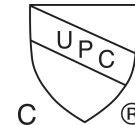
Item details

List Price \$ 1,803.00

Technology



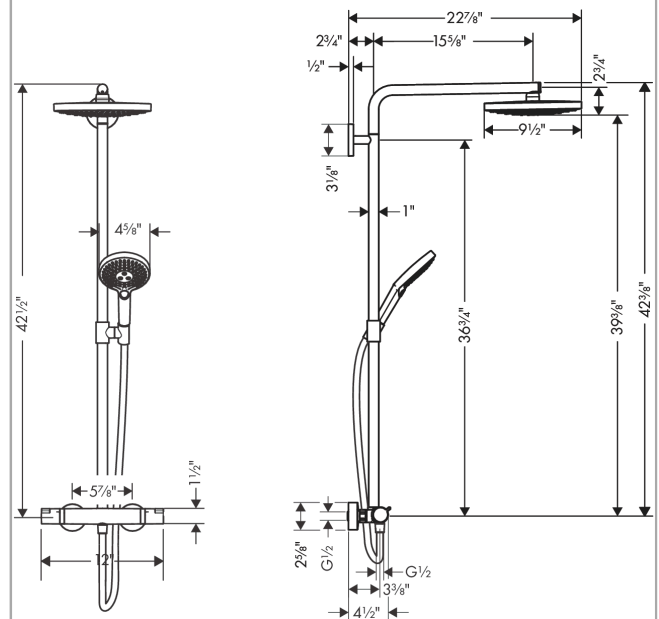
Compliance



Product image



Scale drawing

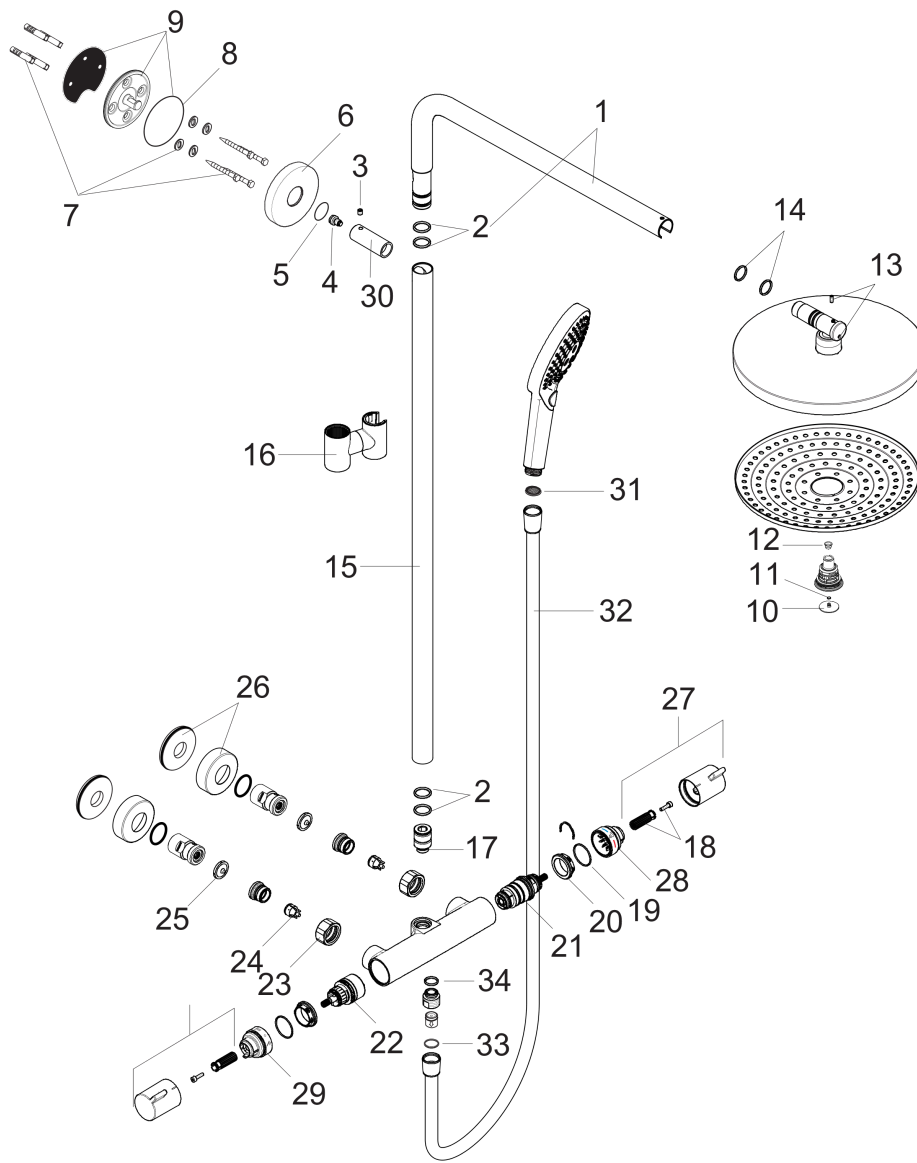


Raindance Select S
Showerpipe 240 2-Jet, 2.5 GPM
 Finishes : **brushed nickel** Part no. : **27129821**



Exploded drawing

Year of production: >12/14



Raindance Select S
Showerpipe 240 2-Jet, 2.5 GPM

Finishes : **brushed nickel** Part no. : **27129821**



Spare parts list

Year of production: >12/14

Pos.	Description	Part no.	Price	PU
1	shower arm	98493820	-	1
2	O-ring 17x2,5	98387000	-	1
3	hollow set screw M6x5	98447000	-	1
4	screw	92137000	-	1
5	O-ring 20x2	98165000	-	1
6	escutcheon Ø 80 mm	95690820	-	1
7	mounting set	98716000	-	1
8	O-ring 72x2	98395000	-	1
9	wall flange	95687000	-	1
10	cover	98344000	-	1
11	O-ring 3x1	98384000	-	1
12	filter	97735000	-	1
13	hollow set screw M4x10	97667000	-	1
14	O-ring 17x2	98199000	-	1
15	pipe 930 mm	98496820	-	1
16	support, assy	95480820	-	1
17	O-ring 12x2,25	98382000	-	1
18	handle fixing set	95843000	-	1
19	O-ring 26x1,5	98390000	-	1
20	nut	98913000	-	1
21	thermostat cartridge	98282001	-	1
22	shut off unit with selector	98283000	-	1
23	set of nuts	96157820	-	1
24	non return valve	96737000	-	1
25	filter packing	96922000	-	1
26	escutcheon	98340820	-	1
27	handle	95836821	-	1
28	safety set for temperature control	95839001	-	1
29	stop ring for flow control	95927000	-	1
30	sleeve	92166820	-	1
31	filter packing	94246000	-	1
32	shower hose 1,60 m	28276823	-	1
33	seal	98058000	-	1
34	O-ring 14x2	98129000	-	1
a	tile-matching-disk	98681000	-	1
b	handshower	26531821	-	1
c	showerhead cpl.	98376821	-	1
d	cover cap	95433820	-	1
e	connecting thread	92861000	-	1