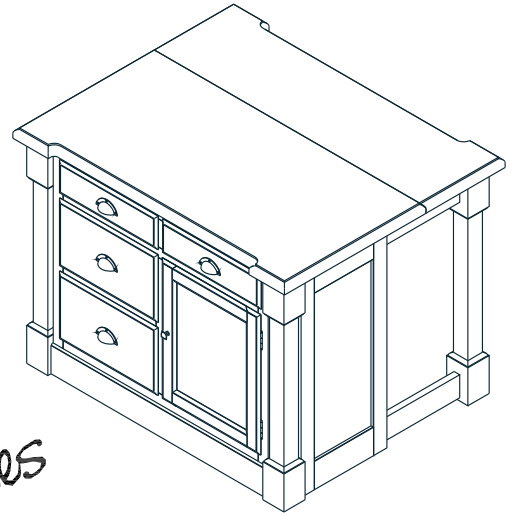


88 5520 941 Aspen Kitchen Island



Home
Styles

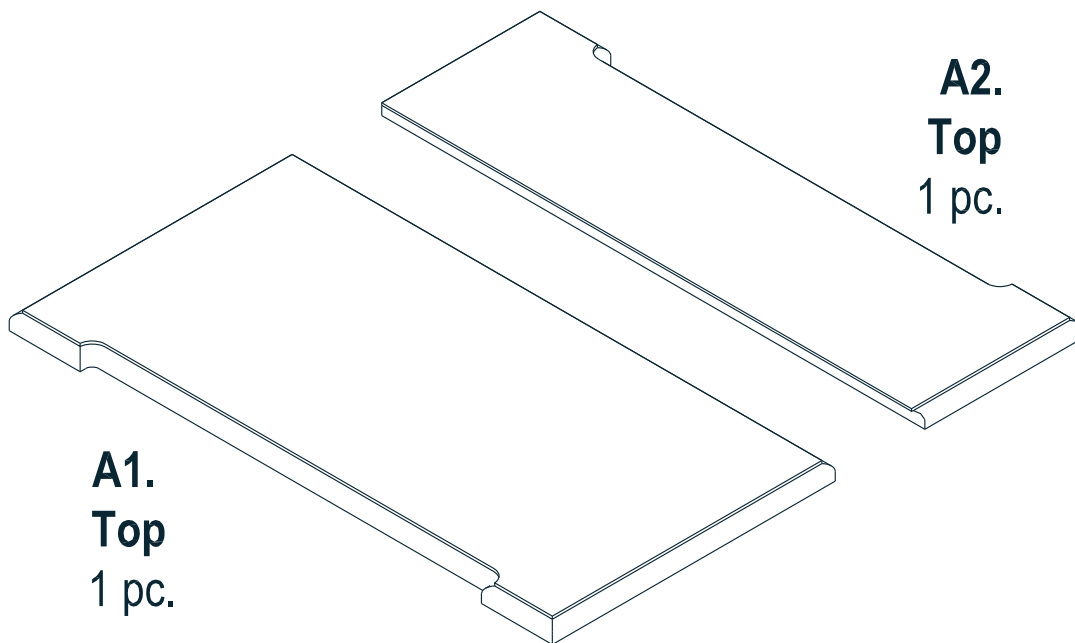
Patent 8,584,600 B2

IMPORTANT NOTE

Carefully remove all the parts from the carton and put them individually on a soft cloth to prevent scratches or other damages occurring to the parts.

We have taken great care in the design of this product and request that you carefully and strictly follow our assembly instructions to ensure a completed product as it was designed.

Part List



Hardware List



3/4" Flat Head Screw
12 pcs. (+1 extra)

For assembly see instructions in carton 88 5520 942

Home Styles Consumer Assistance Line 888-680-7460 and 877-831-0319

servicedesk@homestyles-furniture.com

Revised date : 28 Nov 2013