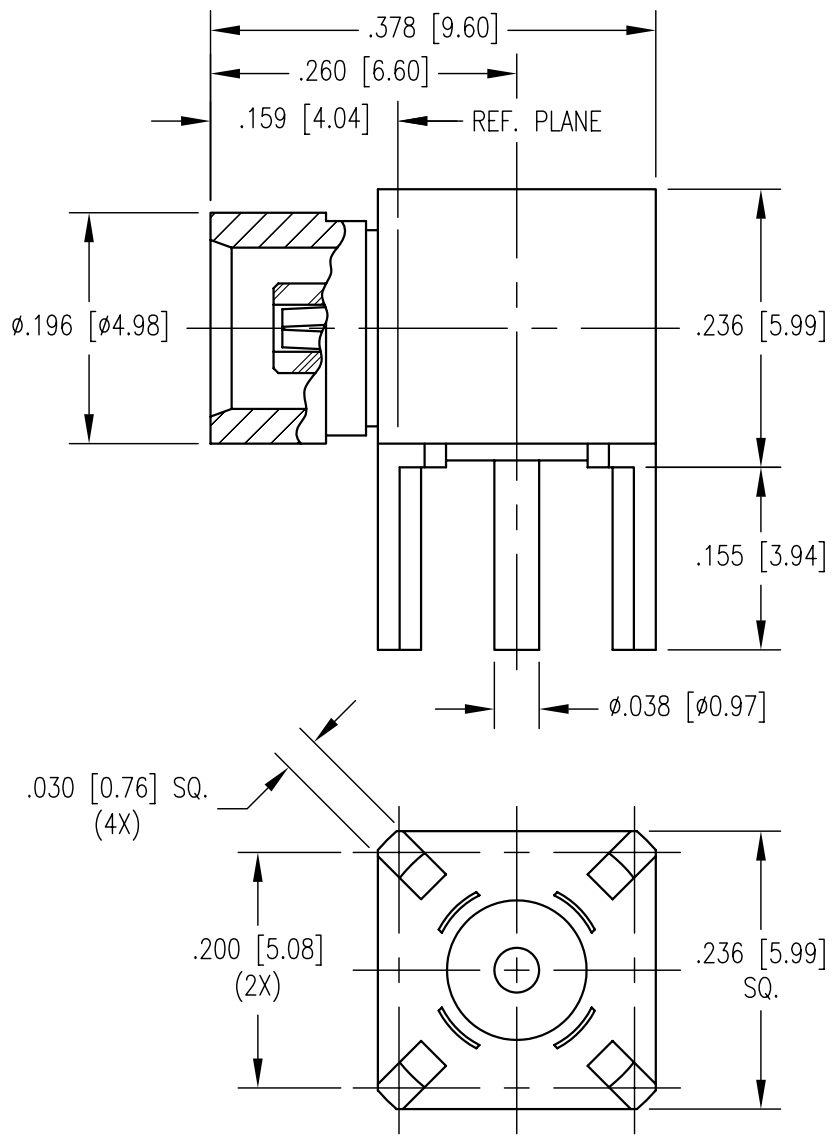
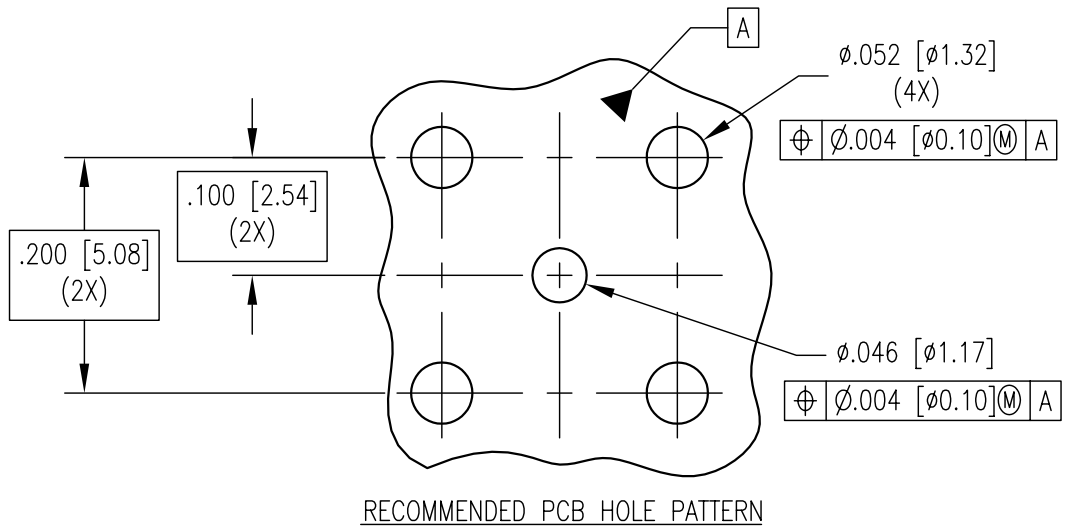


REV	DESCRIPTION	BY DATE	APPD
E	ECR 7771	JED 7/15/03	NET



NOTES:

1. MATERIALS:
 BODY COMPONENTS: BRASS PER ASTM B16
 CENTER CONTACT: COPPER ALLOY
 INSULATORS: TEFLON PER ASTM D1710
2. FINISHES:
 BODY: .000015 MIN. GOLD PER MIL-G-45204 OVER
 .000050 MIN. NICKEL PER QQ-N-290
 CENTER CONTACT: .000030 MIN. GOLD PER MIL-G-45204 OVER
 .000050 MIN. NICKEL PER QQ-N-290
3. ELECTRICAL:
 FREQUENCY RANGE: 0 TO 3 GHz
 IMPEDANCE: 50 OHMS



RECOMMENDED PCB HOLE PATTERN

PER ASME Y14.5M-1994 UNLESS OTHERWISE SPECIFIED: DIMENSIONS ARE IN INCHES [MM] TOLERANCES: DECIMALS .XX ± .01 [0.254] .XXX ± .005 [0.127] ANGLES ± 2° SCALE: 6:1		NORTHROP GRUMMAN Winchester Electronics 62 Barnes Industrial Road North Wallingford, CT 06492	
CUSTOMER DRAWING		TITLE MCX RIGHT ANGLE JACK P.C. MOUNT	
DRAWN JED 1/9/98	DATE 1/9/98	CHECKED JMC 1/9/98	DATE 1/9/98
APPROVED PRP 1/9/98	DATE 1/9/98	APPROVED PRP 1/9/98	DATE 1/9/98
A SD453-060-0046H		SHT. 1 OF 1	REV. E