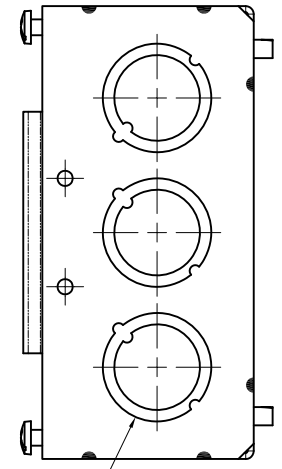
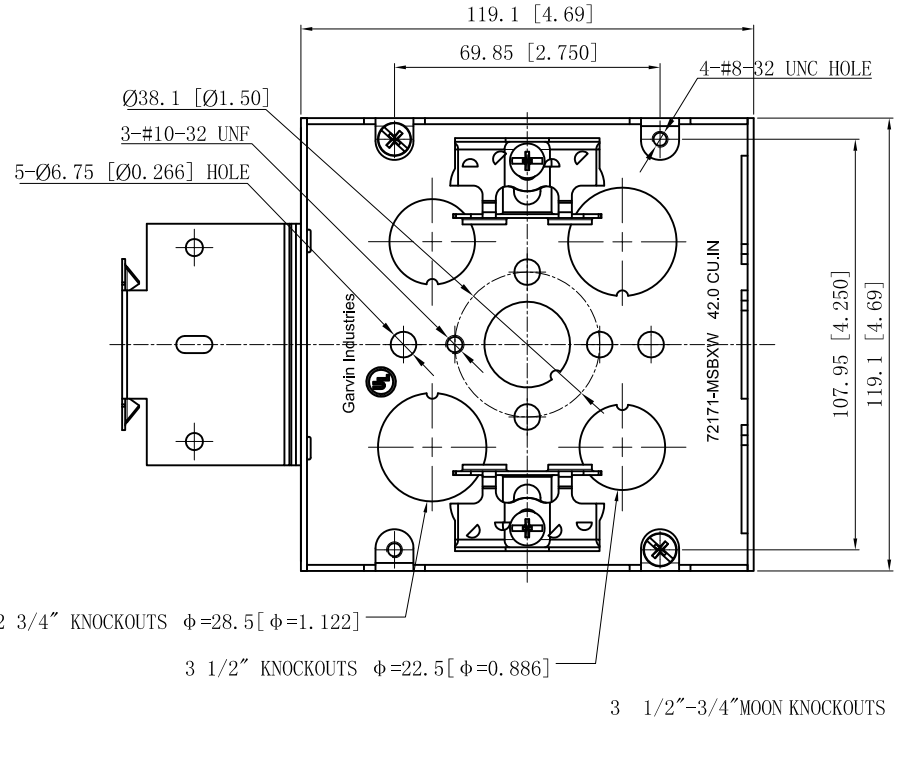
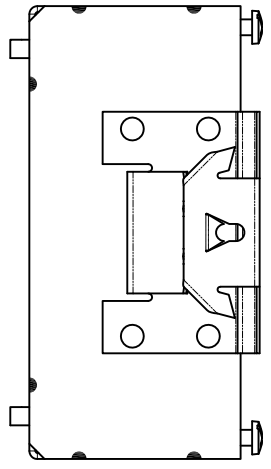
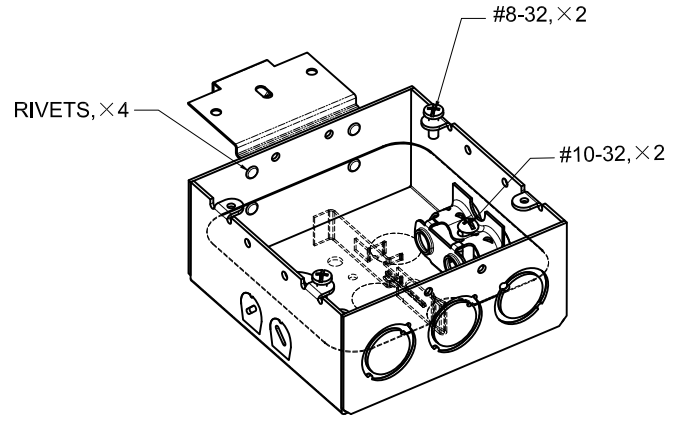
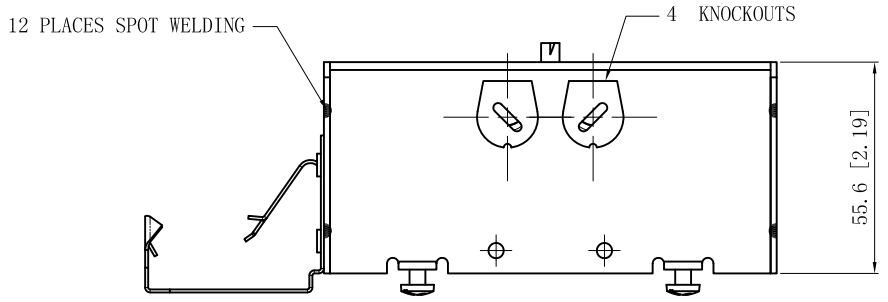


SIDES	BOTTOM
4 KNOCKOUTS	3 1/2" KNOCKOUTS
3 1/2"-3/4" MOON KNOCKOUTS	2 3/4" KNOCKOUTS
2 PCS 8-32X1/2 Screws Installed	
2 PCS 10-32X1 Screws Installed	
Material: Steel-0.0625"-G60 Galvanized	



This data sheet is for reference only. GARVIN INDUSTRIES reserves the right to make changes to the design without prior notice.

DESCRIPTION
TRADE REFERENCE TERMS

STANDARD PACKING
25 PCS

GARVIN INDUSTRIES		
TITLE 4-11/16" SQUARE EXTENSION RINGS 2-1/8" DEEP		
SIZE A4	DWG NO. 72171-MSBXW	REV A
DATA SHEET		