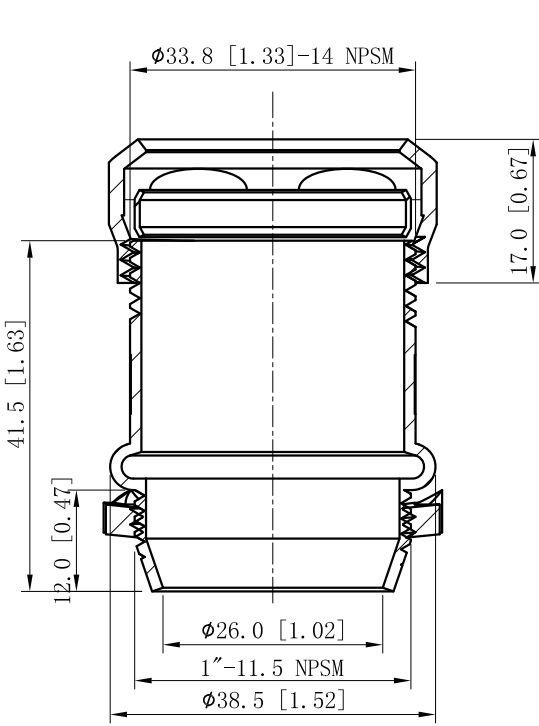
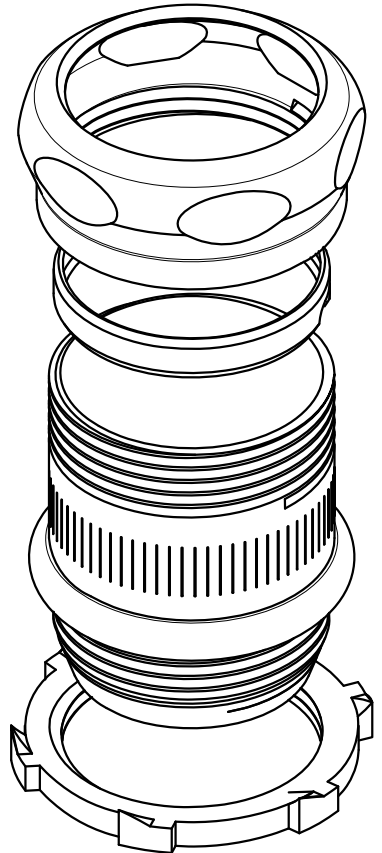
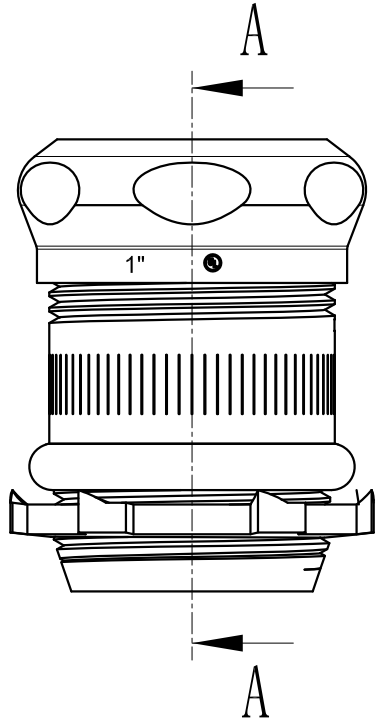


SIDES	BOTTOM
Material: Steel-0.065"-C.R.S ZINC PLATED	



CUTAWAY VIEW A-A



DESCRIPTION
TRADE REFERENCE TERMS

STANDARD PACKING
25 PCS

This data sheet is for reference only .GARVIN INDUSTRIES reserves the right to make changes to the design without prior notice.

<b>GARVIN INDUSTRIES</b>		
TITLE STEEL EMT SET COMPRESSION CONNECTORS		
SIZE A4	DWG NO. CCN-100	REV
DATA SHEET		