

SIDES

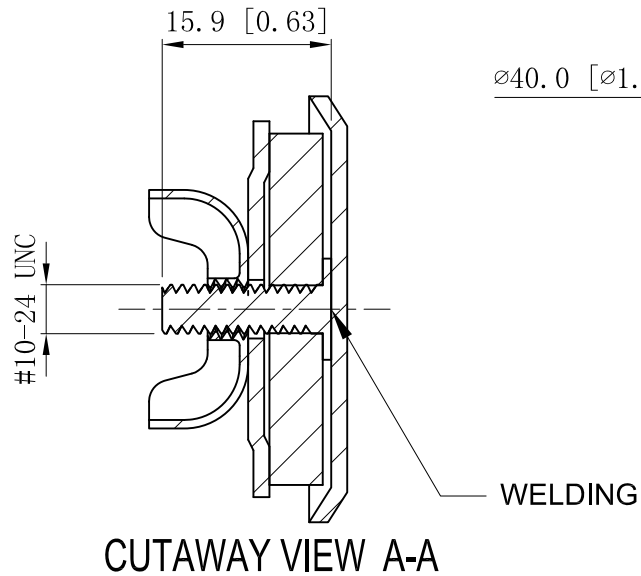
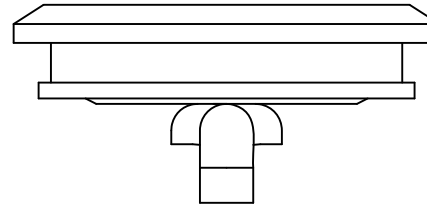
BOTTOM

UL File #

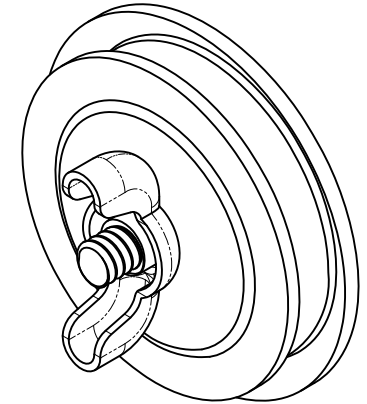
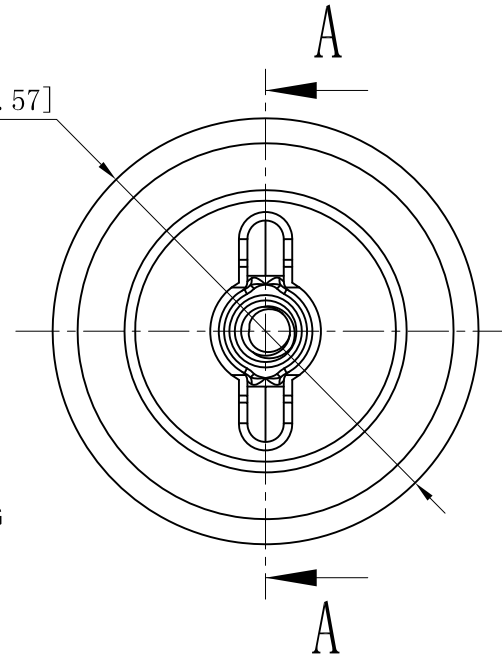
E364151

Material: Steel-0.059"-C.R.S , Powder coating gary

Gasket Material: PVC Closed-cell foam



ø40.0 [ø1.57]



This data sheet is for reference only .GARVIN INDUSTRIES reserves the right to make changes to the design without prior notice.

DESCRIPTION
TRADE REFERENCE TERMS

STANDARD PACKING
10 PCS

GARVIN INDUSTRIES		
TITLE KNOCKOUT SEALS		
SIZE A4	DWG NO. KOS-75-0T	REV B
DATA SHEET		
www.garvinindustries.com		