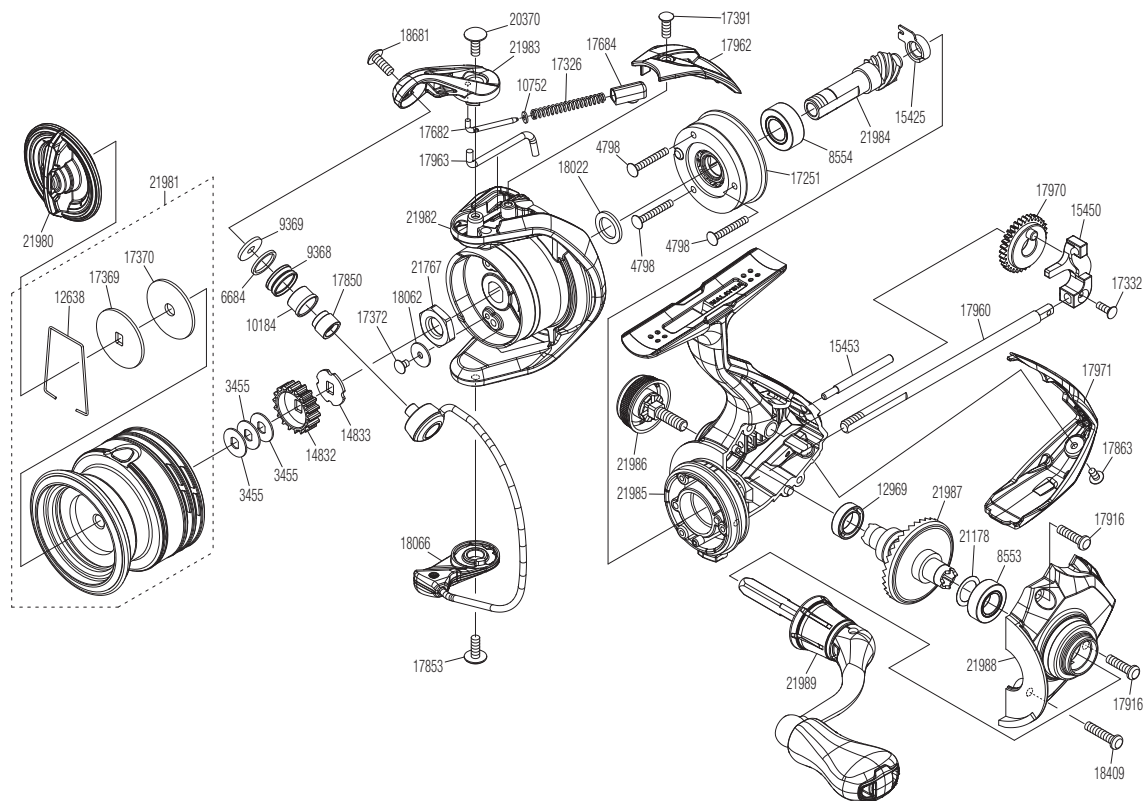


SHIMANO

NEXAVE

NEX-1000



Please note that the number of adjusting washers may not always be the same as shown in the exploded views.

(51SB491B10X)

Please note that your actions take full responsibility when you take it apart.

Part No.	Description	Part No.	Description	Part No.	Description
RD 3455	Spool Washer	RD17370	Drag Washer	RD21178	Washer
RD 4798	Screw	RD17372	Screw	RD21767	Rotor Nut
RD 6684	Spacer	RD17391	Screw	RD21980	Drag Knob Assembly
RD 8553	Ball Bearing	RD17682	Bail Spring Guide A	RD21981	Spool Assembly
RD 8554	Ball Bearing	RD17684	Bail Spring Guide B	RD21982	Rotor
RD 9368	Line Roller	RD17850	Collar	RD21983	Bail Arm
RD 9369	Washer	RD17853	Screw	RD21984	Pinion Gear
RD10184	Bushing	RD17863	Screw	RD21985	Body
RD10752	Bail Spring Guide A Collar	RD17916	Screw	RD21986	Handle Screw Cap Assembly
RD12638	Retainer	RD17960	Main Shaft	RD21987	Drive Gear
RD12969	Ball Bearing	RD17962	Bail Spring Cover	RD21988	Side Cover
RD14832	Spool Support A	RD17963	Bail Trip Lever	RD21989	Handle Assembly
RD14833	Spool Support B	RD17970	Oscillating Gear		
RD15425	Bushing	RD17971	Rear Protector		
RD15450	Oscillating Slider	RD18022	Washer		
RD15453	Oscillating Guide	RD18062	Washer		
RD17251	Roller Clutch Assembly	RD18066	Bail Assembly		
RD17326	Bail Spring	RD18409	Screw		
RD17332	Screw	RD18681	Screw		
RD17369	Key Washer	RD20370	Screw		