



Project _____
 Item # _____
 Quantity _____

Silver Screen Popcorn Machines and Pedestals

Models: 11087, 11147, 30087, and 30147

“Silver Screen” is simple in looking and is technically savvy. A separate cabinet thermostat and temperature indicator accurately controls the heat, ensuring that your popcorn is always at the perfect serving temperature.

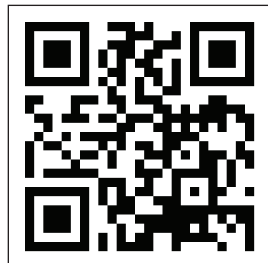
Standard Features

- ◆ Stainless steel cabinet and food-zone
- ◆ Thermostatically controlled serving temperature
- ◆ Four-switch configuration allows for any operating situation
- ◆ Interior merchandising lighting (bulb included)
- ◆ Old-maid drawer catches unpopped kernels
- ◆ Superior performance hard-coat anodized, high thermal popping kettle
- ◆ One year parts and labor warranty



Accessories and Options

30087	Pedestal Base for 8oz Silver Screen Popcorn Machine
30147	Pedestal Base for 14oz Silver Screen Popcorn Machine
42030	Aluminum Speed Scoop
42020	Plastic Popcorn Scoop -16 oz
40008	8 oz Popcorn Portion Packs - 24 packs/case



Visit www.wincous.com for Popcorn Supplies

For California Customers
WARNING: Cancer and Reproductive Harm - www.P65Warnings.ca.gov



11087 Front



11147 Front



11147 Rear

11087 - 8oz
 11147 - 14oz



30087 Pedestal Base with 11087 Popcorn Machine



30147 Pedestal Base with 11147 Popcorn Machine

Winco® | Division of The Foodware Group™

www.wincous.com

New Jersey Headquarters & Distribution Center
 65 Industrial Road, Lodi, NJ 07644
 Phone: 1-888-946-2682 | Fax: 1-973-916-9959

Florida Showroom & Distribution Center
 10800 NW 103rd St. Bldg 22, Ste 11, Miami, FL 33178
 Phone: 1-888-946-2682 | Fax: 1-973-916-9959

Nevada Distribution Center
 3777 Marion Drive, Las Vegas, NV 89115
 Phone: 1-888-946-2682 | Fax: 1-973-916-9959

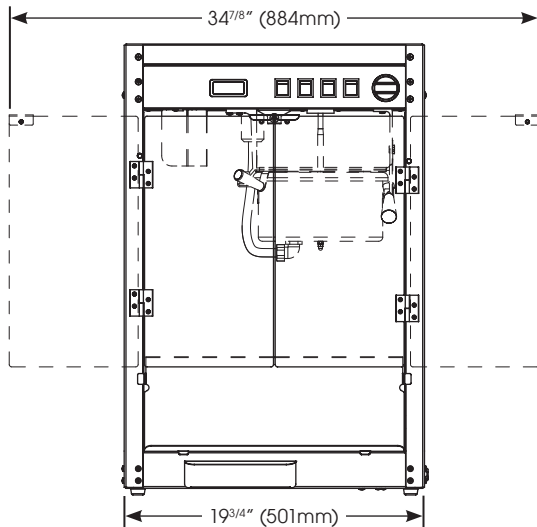


Silver Screen Popcorn Machines and Pedestals

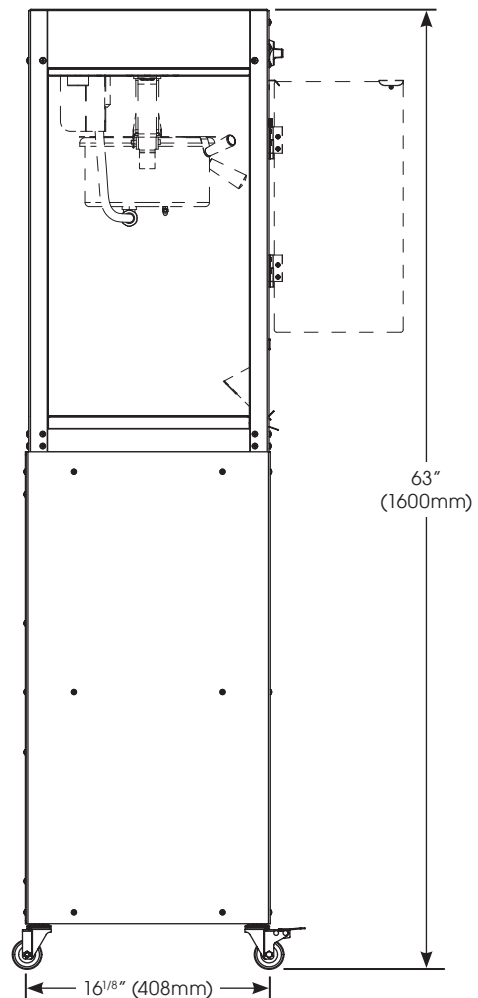
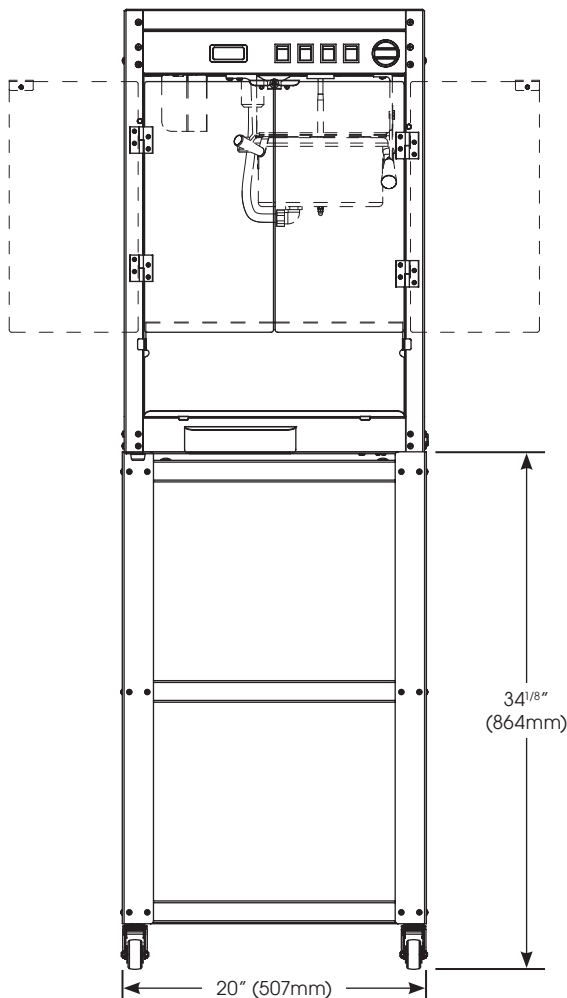
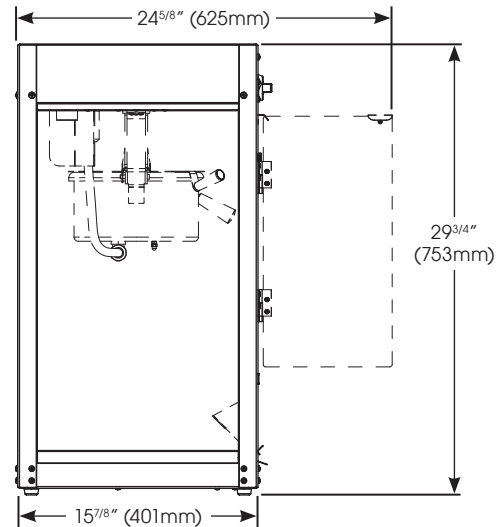
Models: 11087, 11147, 30087, and 30147

11087 - 8 oz

BACK VIEW



SIDE VIEW



Winco® | Division of The Foodware Group™

www.wincous.com

New Jersey Headquarters & Distribution Center
65 Industrial Road, Lodi, NJ 07644
Phone: 1-888-946-2682 | Fax: 1-973-916-9959

Florida Showroom & Distribution Center
10800 NW 103rd St. Bldg 22, Ste 11, Miami, FL 33178
Phone: 1-888-946-2682 | Fax: 1-973-916-9959

Nevada Distribution Center
3777 Marion Drive, Las Vegas, NV 89115
Phone: 1-888-946-2682 | Fax: 1-973-916-9959

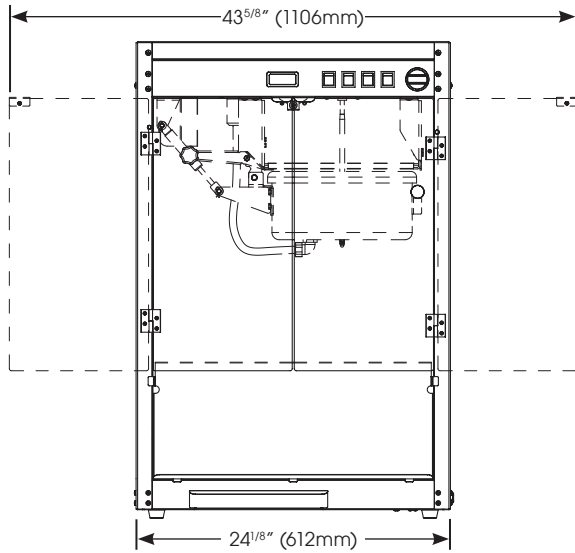


Silver Screen Popcorn Machines and Pedestals

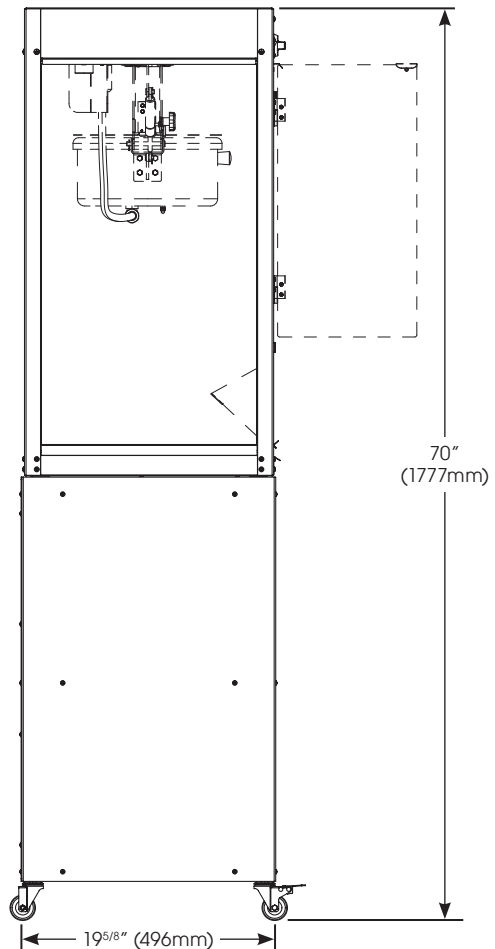
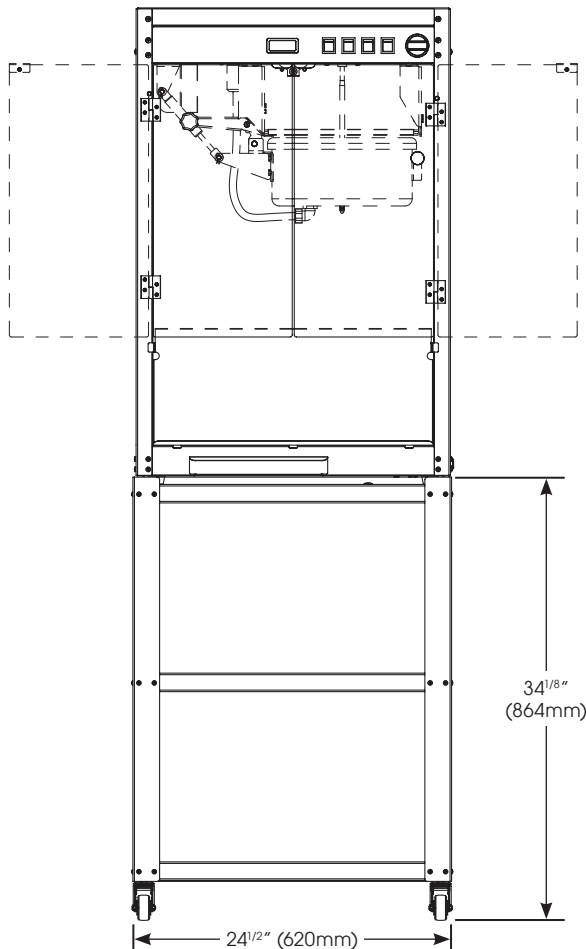
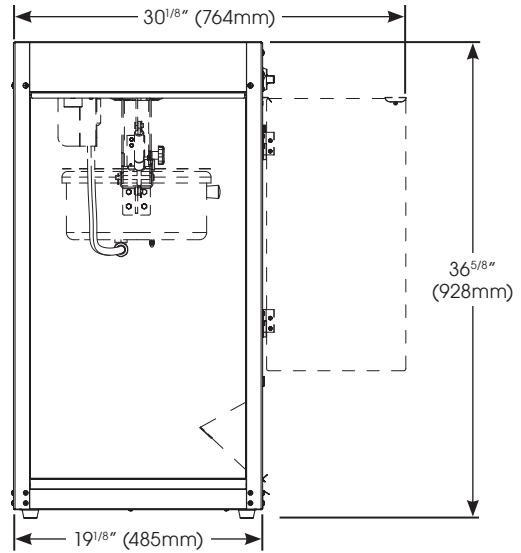
Models: 11087, 11147, 30087, and 30147

11147 - 14 oz

BACK VIEW



SIDE VIEW



Winco® | Division of The Foodware Group™

www.wincous.com

New Jersey Headquarters & Distribution Center
65 Industrial Road, Lodi, NJ 07644
Phone: 1-888-946-2682 | Fax: 1-973-916-9959

Florida Showroom & Distribution Center
10800 NW 103rd St. Bldg 22, Ste 11, Miami, FL 33178
Phone: 1-888-946-2682 | Fax: 1-973-916-9959

Nevada Distribution Center
3777 Marion Drive, Las Vegas, NV 89115
Phone: 1-888-946-2682 | Fax: 1-973-916-9959



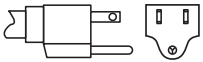
Silver Screen Popcorn Machines and Pedestals

Models: 11087, 11147, 30087, and 30147

MODEL	DESCRIPTION	OVERALL DIMENSIONS			VOLTS	HZ	WATTS	AMPS	PLUG	SHIP WEIGHT
		LENGTH	DEPTH	HEIGHT						
11087	8 oz Kettle	19-3/4" 501mm	15-7/8" 401mm	29-3/4" 753mm	120 V	60 Hz	1490 W	12.4 A	NEMA 5-15P	60 lbs (27.2kg)
11147	14 oz Kettle	24-1/8" 612mm	19-1/8" 485mm	36-5/8" 928mm	120 V	60 Hz	1740 W	14.5 A	NEMA 5-15P	95 lbs (43.1kg)
30087	Pedestal Base for 8 oz Machine	20" 507mm	16-1/8" 408mm	34-1/8" 864mm						44 lbs (20kg)
30147	Pedestal Base for 14 oz Machine	24-1/2" 620mm	19-5/8" 496mm	34-1/8" 864mm						64 lbs (29.03kg)

Plug Configurations

NEMA 5-15P



Cord Location

Back left side or operator's side right

Bulb Type

50 Watt R20

Product Specs

Silver Screen Popcorn Machines

The Silver Screen Popcorn Machines models 11087 and 11147 as manufactured by Winco®, Lodi, NJ 07644

The BenchmarkUSA™ Silver Screen Popcorn Machine model 11087 shall have a 8 oz kettle capacity be rated at 1490W, 120V~60Hz and model 11147 shall have a 14 oz kettle capacity be rated at 1740W, 120V~60Hz. All units shall be supplied with a NEMA 5-15P plug.

Units cabinet shall be constructed of stainless steel with thermostatically controlled serving temperature area and hard-coat anodized, high thermal popping kettle. Units are supplied with four-switch configuration allowing for any operating situation, interior merchandising lighting (bulb included), and old-maid drawer to catch unpopped kernels.

CE certified and ETL listed for safety (Canada & US) and sanitation.

Warranty consists of one year parts and labor.