

AXOR Starck
HighArc Kitchen Faucet 2-Spray Pull-Down, 1.75 GPM
 Finishes : **steel optic** Part no. : **10821801**



Description

Features

- Swivel range 150°
- Laminar and needle spray
- Toggle spray diverter
- MagFit magnetic sprayhead docking
- Single-hole installation
- Flow: 1.75 GPM (6.6 L/Min)
- Joystick ceramic cartridge
- 3/8" connections
- Integrated double backflow prevention

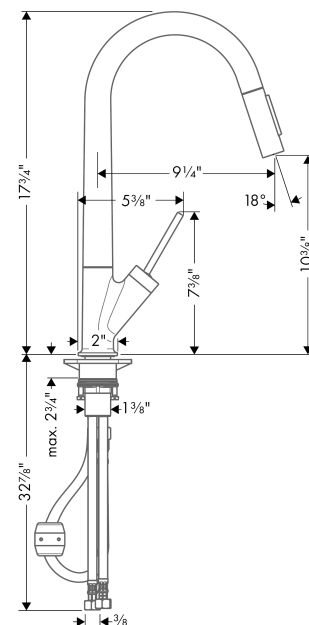
Technology



Product image



Scale drawing

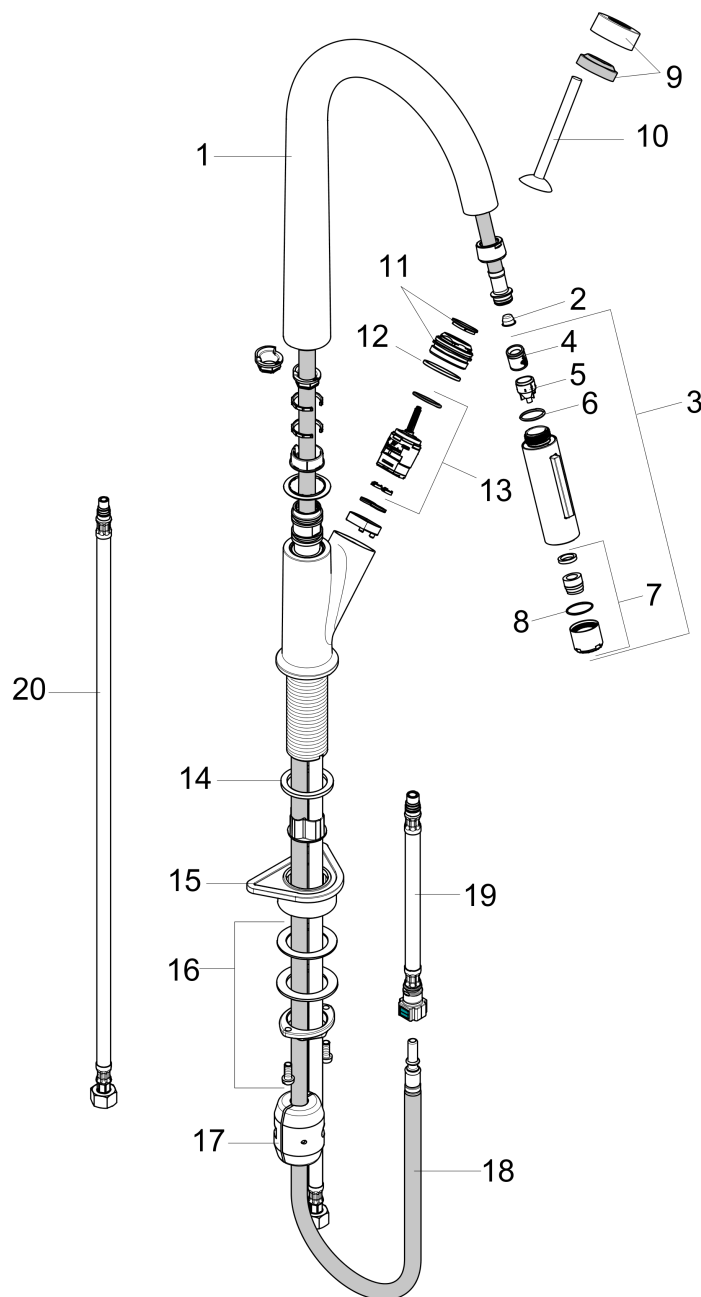


AXOR Starck
HighArc Kitchen Faucet 2-Spray Pull-Down, 1.75 GPM
Finishes : **steel optic** Part no. : **10821801**



Exploded drawing

Year of production: >11/15



AXOR Starck
HighArc Kitchen Faucet 2-Spray Pull-Down, 1.75 GPM
 Finishes : **steel optic** Part no. : **10821801**



Spare parts list

Year of production: >11/15

Pos.	Description	Part no.	PC	PU
1	spout cpl.	95907800	0	1
2	filter	97735000	0	1
3	handspray	95908801	0	1
4	non return valve	93218000	0	1
5	set of non return valves DW 15	97350000	0	1
6	O-ring 18x1,5	98231000	0	1
7	aerator laminar M22x1 (15 l/min)	95909000	0	1
8	O-ring 20x1	98140000	0	1
9	flange	97155800	0	1
10	handle	95893800	0	1
11	nut	97157000	0	1
12	O-Ring 30x2	98186000	0	1
13	cartridge, assy	96339000	0	1
14	flat seal	98749000	0	1
15	support	97523000	0	1
16	fixing set (Ø 34)	95049000	0	1
17	weight	92500000	0	1
18	hose 1,50 m	88624000	0	1
19	connection hose 600 mm M10x1	95561000	0	1
20	connection hose 35½" M8x0,75 3/8"	96316001	0	1
a	set of lever collars	98365000	0	1
b	O-ring 21x2,5	98211000	0	1
c	Grease	90920000	0	1
d	service tool	95910000	0	1