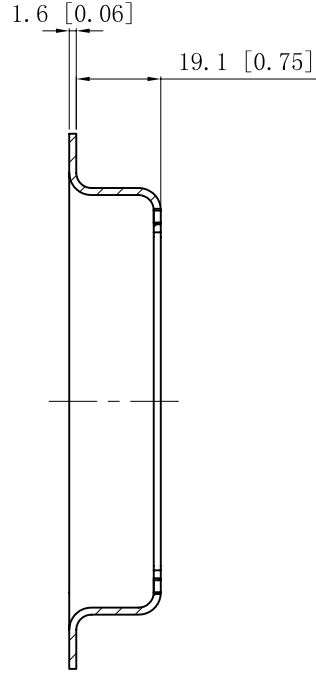
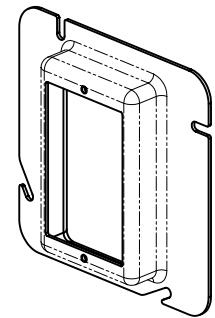
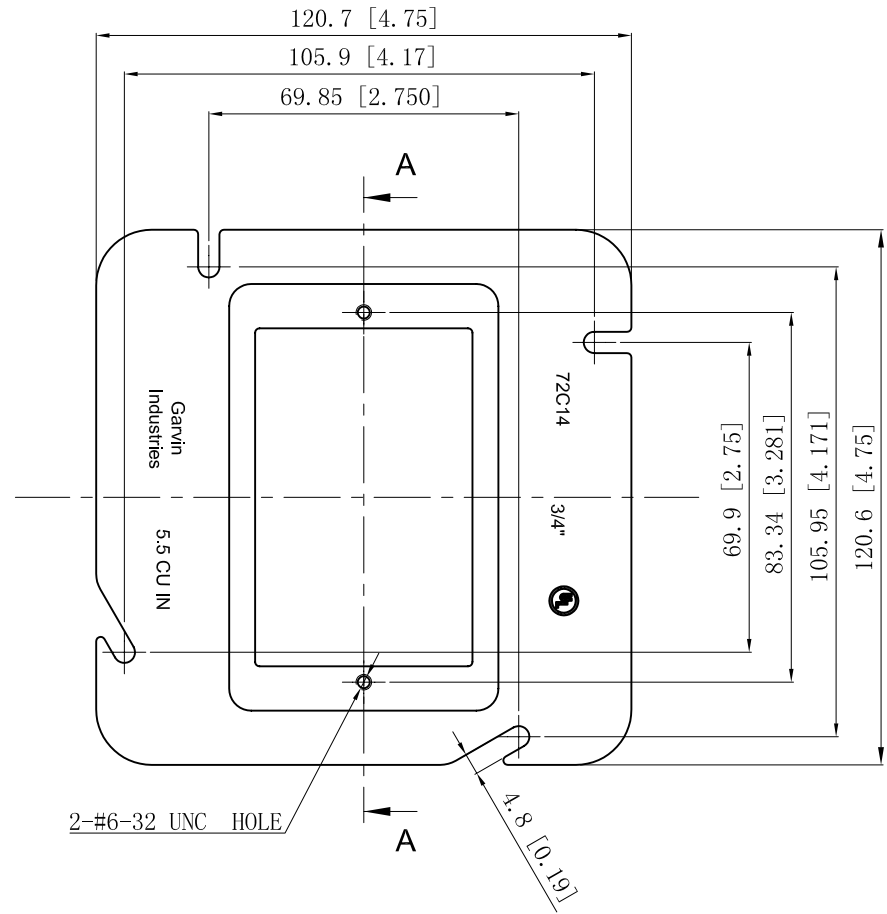


SIDES	BOTTOM
Material: Steel-0.0625"-(G60 or C. R. S) Galvanized	



CUTAWAY VIEW A-A



This data sheet is for reference only .GARVIN INDUSTRIES reserves the right to make changes to the design without prior notice.

DESCRIPTION
TRADE REFERENCE TERMS

STANDARD PACKING
25 PCS

GARVIN INDUSTRIES		
4-11/16" SQUARE SINGLE-DEVICE COVERS		
SIZE A4	DWG NO. 72C14	REV B
DATA SHEET		