



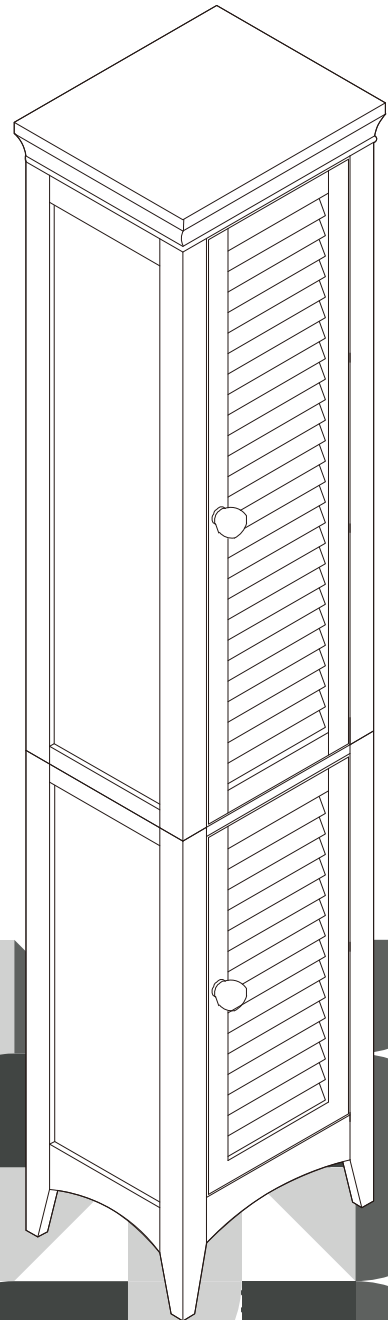
Extended Warranty  
Sign Up

E-1

# Welcome home!

**ELG-588/598/640**

**TEAMSON HOME**  
**Linen Cabinet**  
**Shutter Door**





**Questions? Comments? Need help?  
Call or email us any time!**

## Global Customer Service

**USA**

**+1(800)935-3959**

Mon - Fri 10:00am ~ 2:00pm EST

✉ [support@teamson.com](mailto:support@teamson.com)

**EU/UK**

**+44(0)1952-916-050**

Mon - Thu 9:00am ~ 5:00pm GMT

Friday 9:00am ~ 4:00pm GMT

✉ [support@teamson.co.uk](mailto:support@teamson.co.uk)

**ASIA**

深圳办公室:

**+86(0755)8885-3558.分机号331**

Mon - Sat 9:00am ~ 5:00pm GMT+8

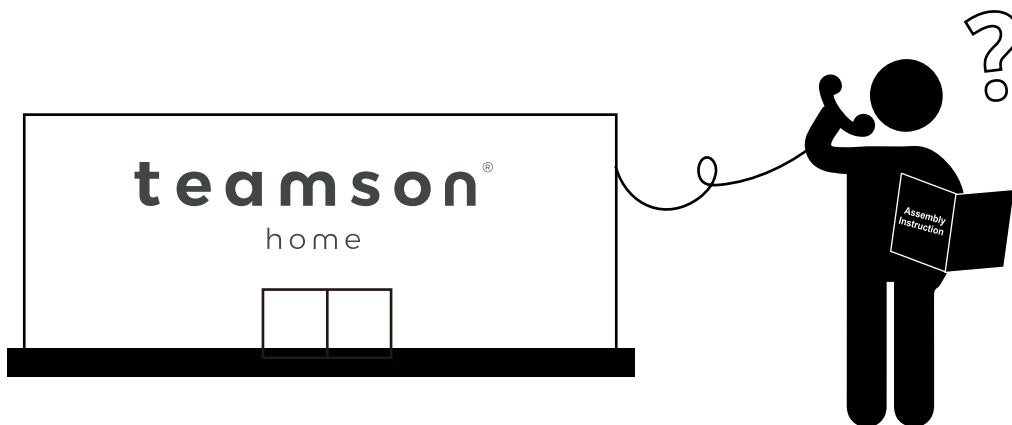
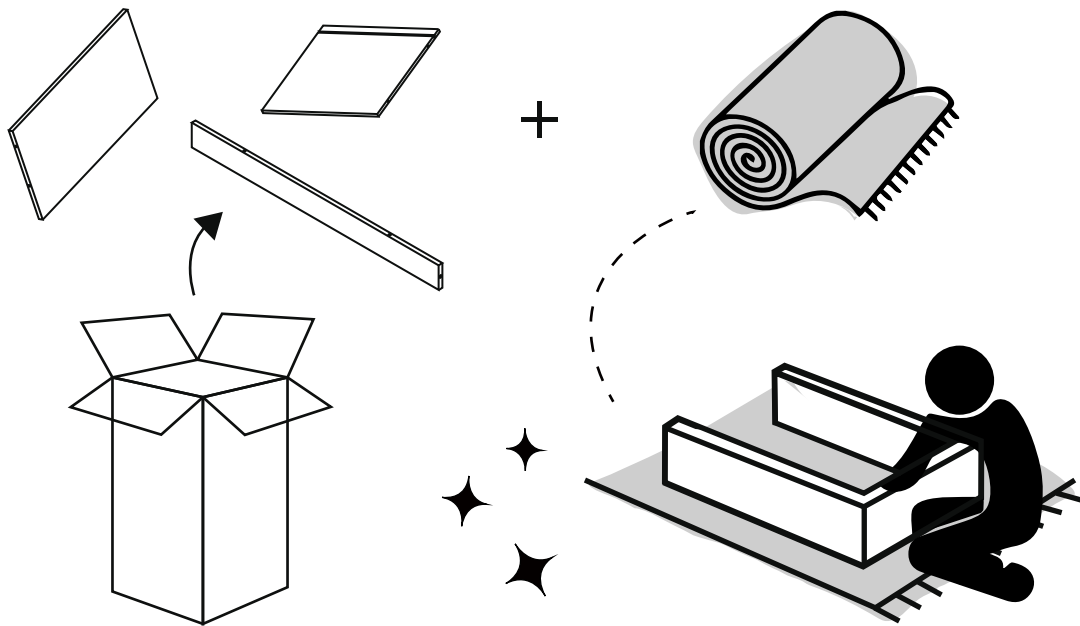
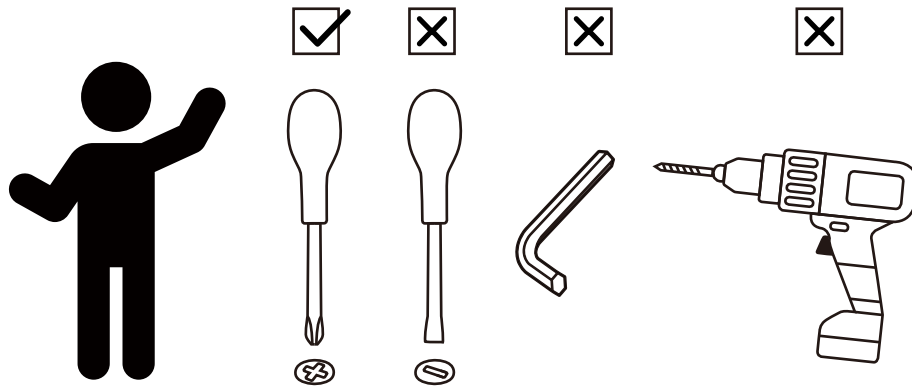
✉ [sales\\_ec@teamson.com](mailto:sales_ec@teamson.com)

台北办公室:

**+886(2)2556-6268**

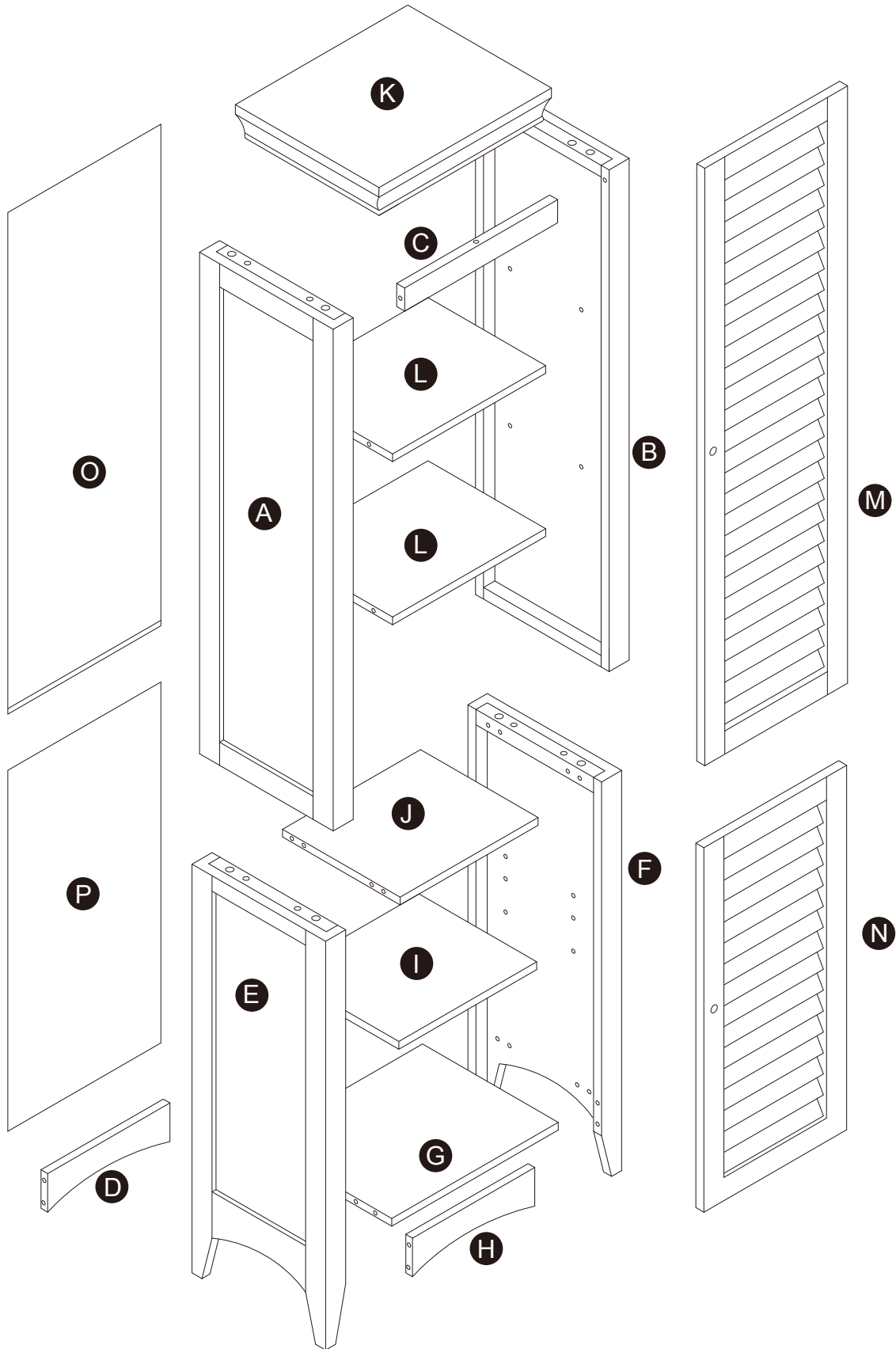
Mon - Fri 9:00am ~ 5:00pm GMT+8

✉ [sales\\_ec@teamson.com](mailto:sales_ec@teamson.com)



\*\* Got questions? Please have your product code (on the first page of this instruction, e.g. TD-12345A) and the order number ready, give us a call or email us through our customer care support! We are always ready to assist you!

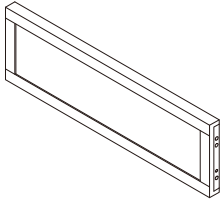
# Exploded Drawing



Scan for assembly instructions.

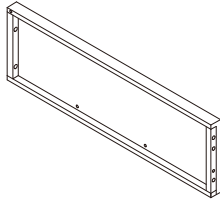
# Product Parts

A



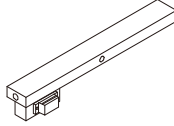
1 PC

B



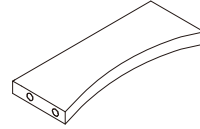
1 PC

C



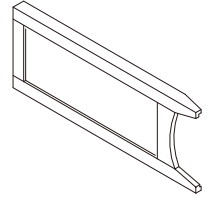
1 PC

D



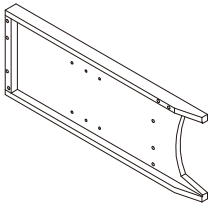
1 PC

E



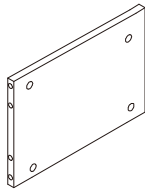
1 PC

F



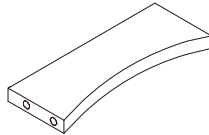
1 PC

G



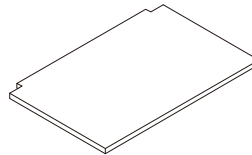
1 PC

H



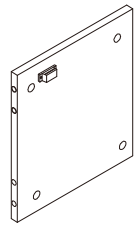
1 PC

I



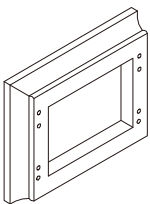
1 PC

J



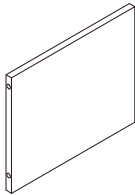
1 PC

K



1 PC

L



2 PCS

## ! Care Instructions

Dust surface with a dry soft cloth. Do not use window cleaners or cleaning abrasives as they will scratch the surface and could damage the protective coating

## ! WARNING

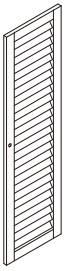
Small parts and sharp edges may be present prior to assembly.



Scan for assembly instructions.

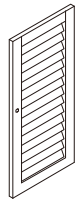
## Product Parts

M



1 PC

N



1 PC

O



1 PC

P



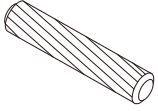
1 PC



Scan for assembly instructions.

# Hardware

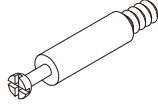
1



Ø8\*30mm

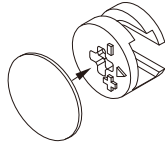
34 PCS

2



8 PCS

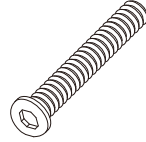
3



Ø15\*12

8 PCS

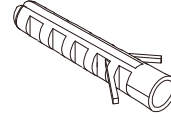
4



Ø1/4"\*1-1/4"

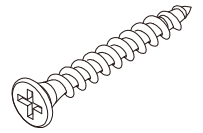
8 PCS

5



1 PC

6



Ø4\*25mm

2 PCS

7



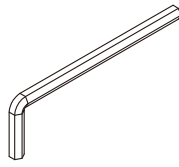
1 PC

8



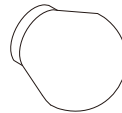
2 PCS

9



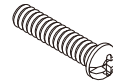
1 PC

10



2 PCS

11



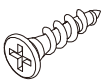
2 PCS

12



4 PCS

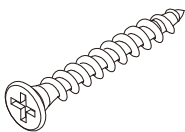
13



Ø3\*12mm

8 PCS

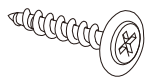
14



Ø4\*35mm

1 PC

15



Ø3\*12 D=7

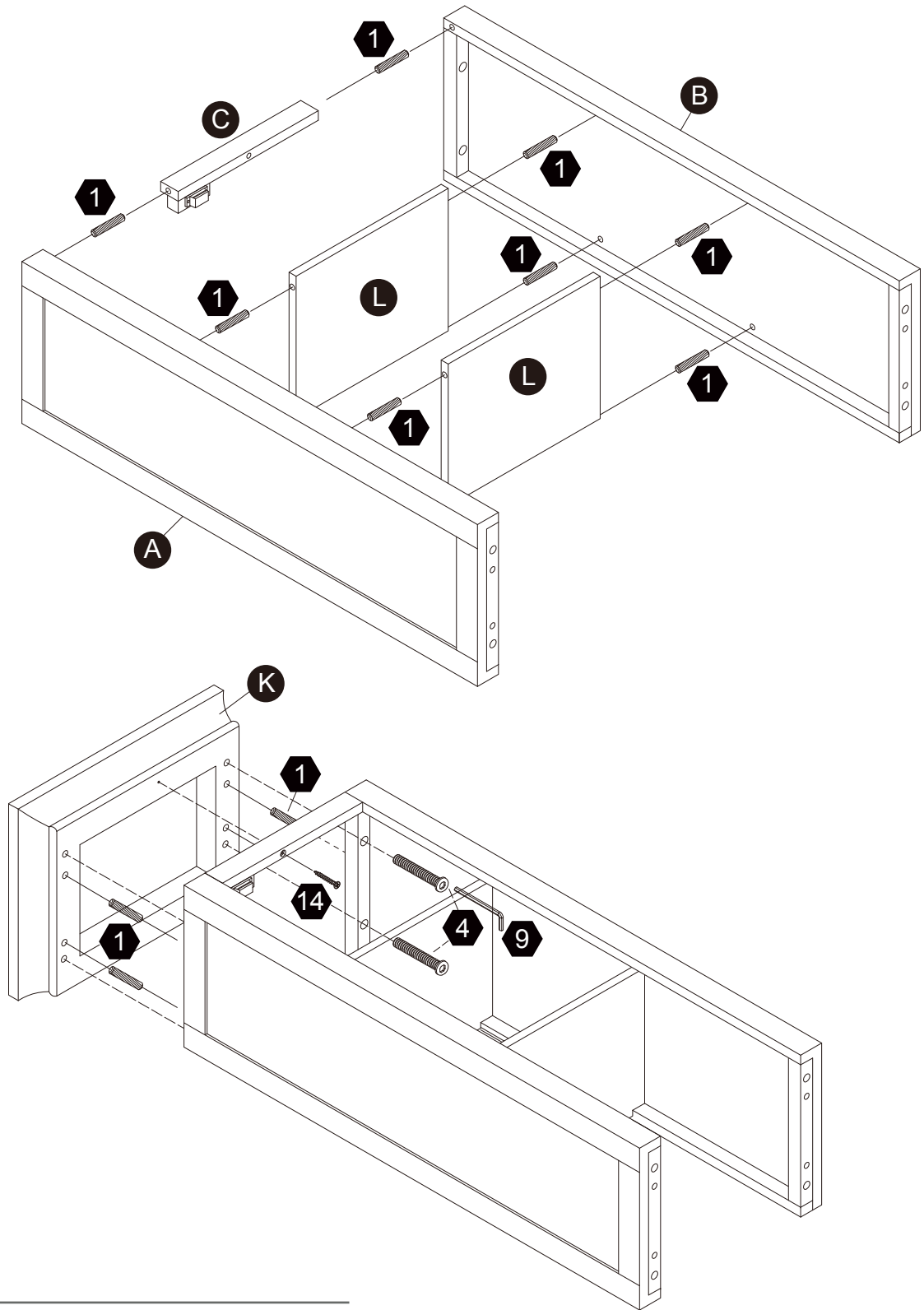
20 PCS



Scan for assembly instructions.

# Step 1


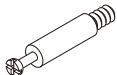

- 1  $\varnothing 8 \times 30 \text{mm}$  14 pcs
- 4  $\varnothing 4 \times 25 \text{mm}$  4 pcs
- 9  $\varnothing 4 \times 25 \text{mm}$  1 pc
- 14  $\varnothing 4 \times 25 \text{mm}$  1 pc

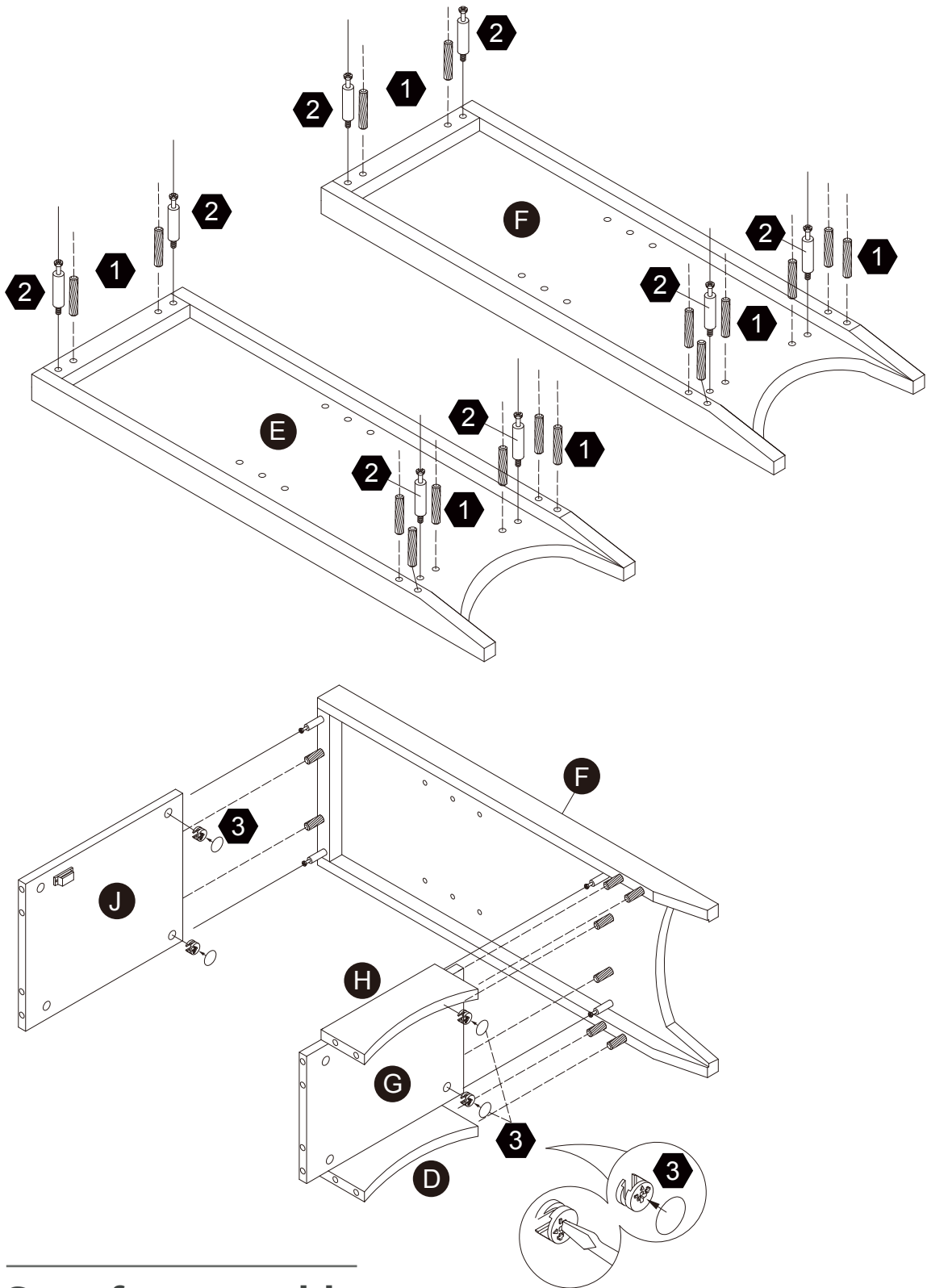


Scan for assembly instructions.



## Step 2

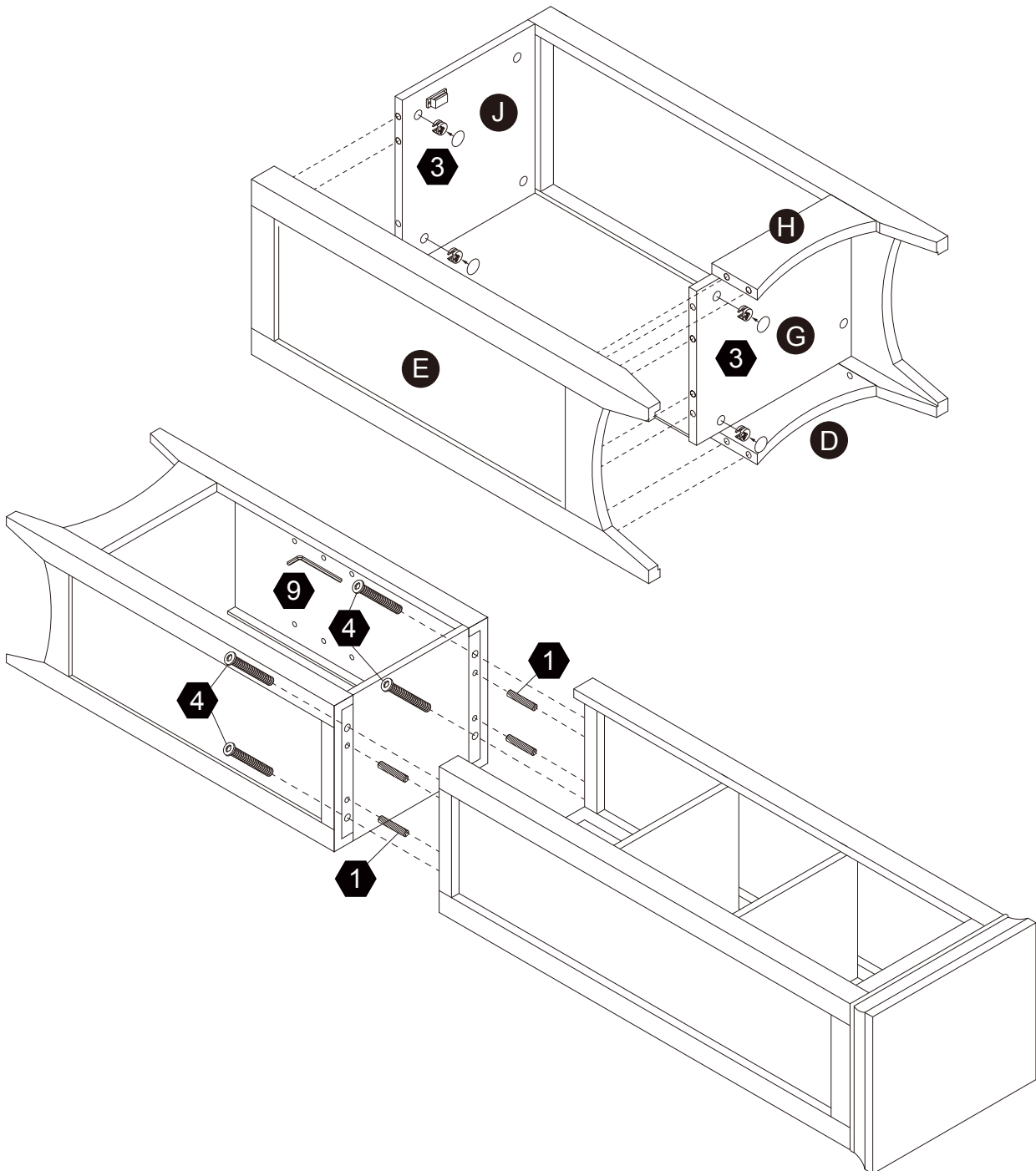
- 1**  16 pcs  $\text{\O}8*30\text{mm}$     **2**  8 pcs    **3**  4 pcs  $\text{\O}15*12$



Scan for assembly instructions.

## Step 3

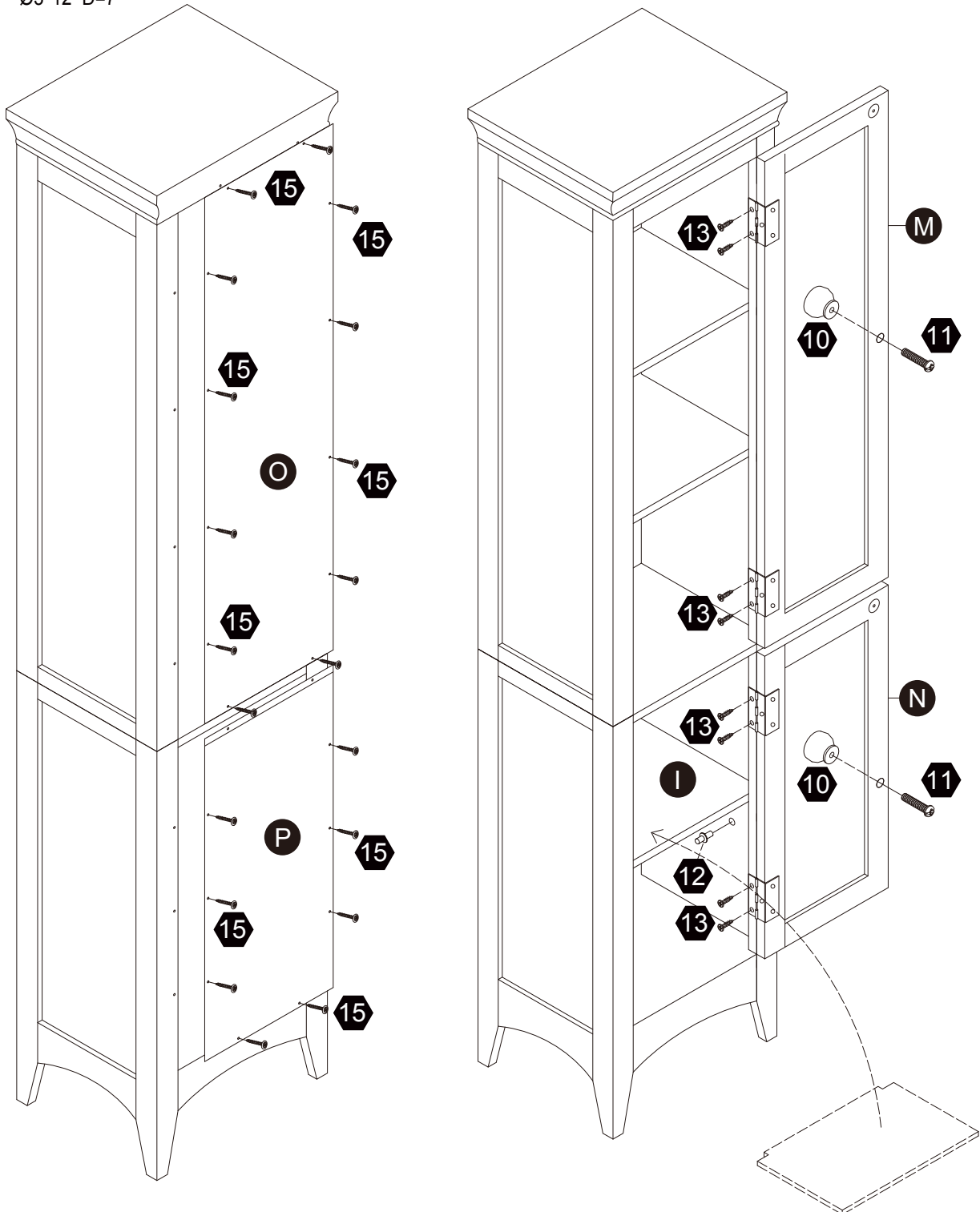
- 1**   $\text{Ø}8*30\text{mm}$  4 pcs    **3**   $\text{Ø}15*12$  4 pcs    **4**  4 pcs    **9**  1 pc



Scan for assembly instructions.

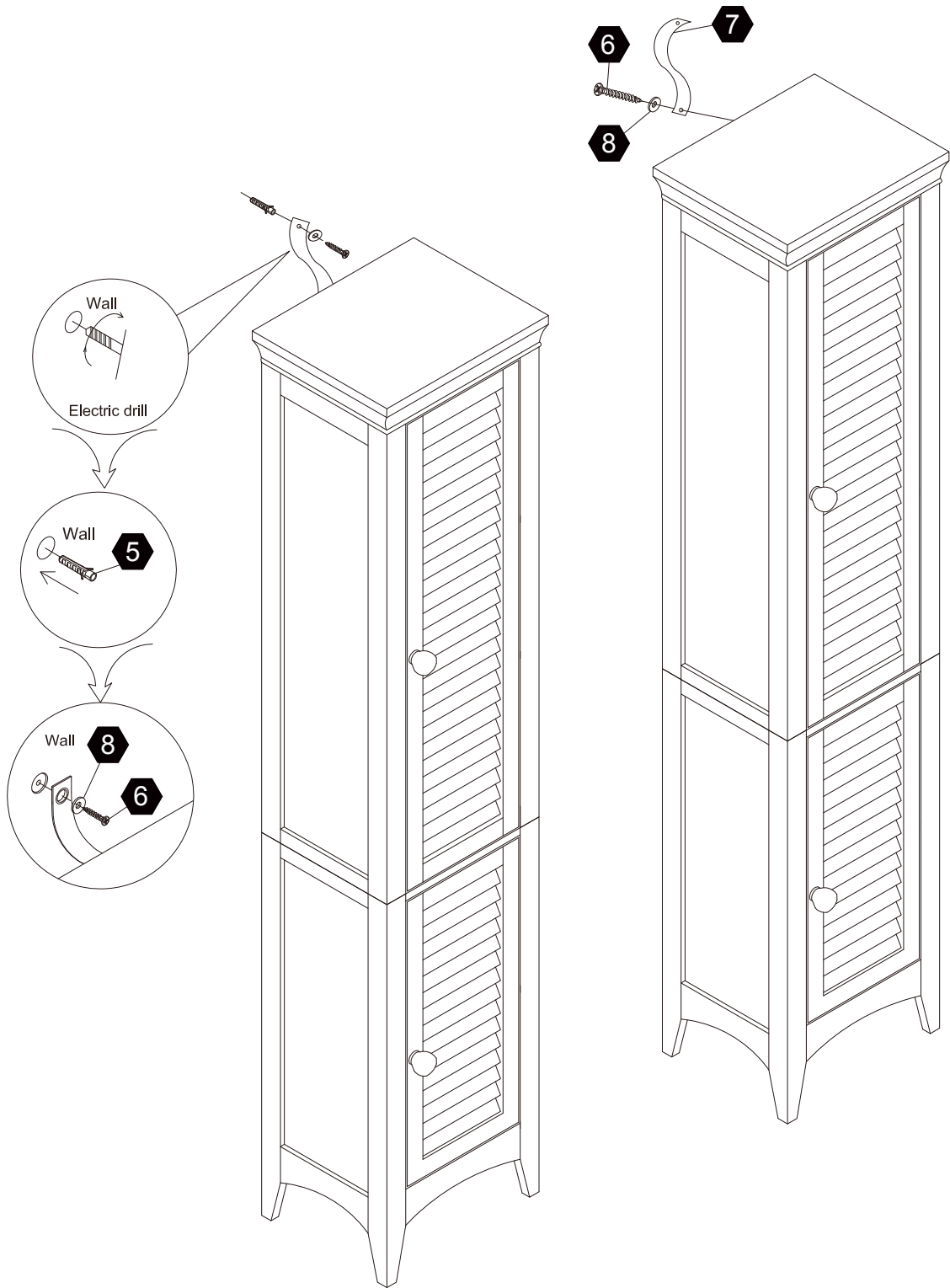
## Step 4

- 10**  2 pcs    **11**  2 pcs    **12**  4 pcs    **13**  8 pcs  
 $\text{Ø}3*12\text{mm}$
- 15**  20 pcs  
 $\text{Ø}3*12 \text{ D}=7$



Scan for assembly instructions.

## Step 5



Scan for assembly instructions.