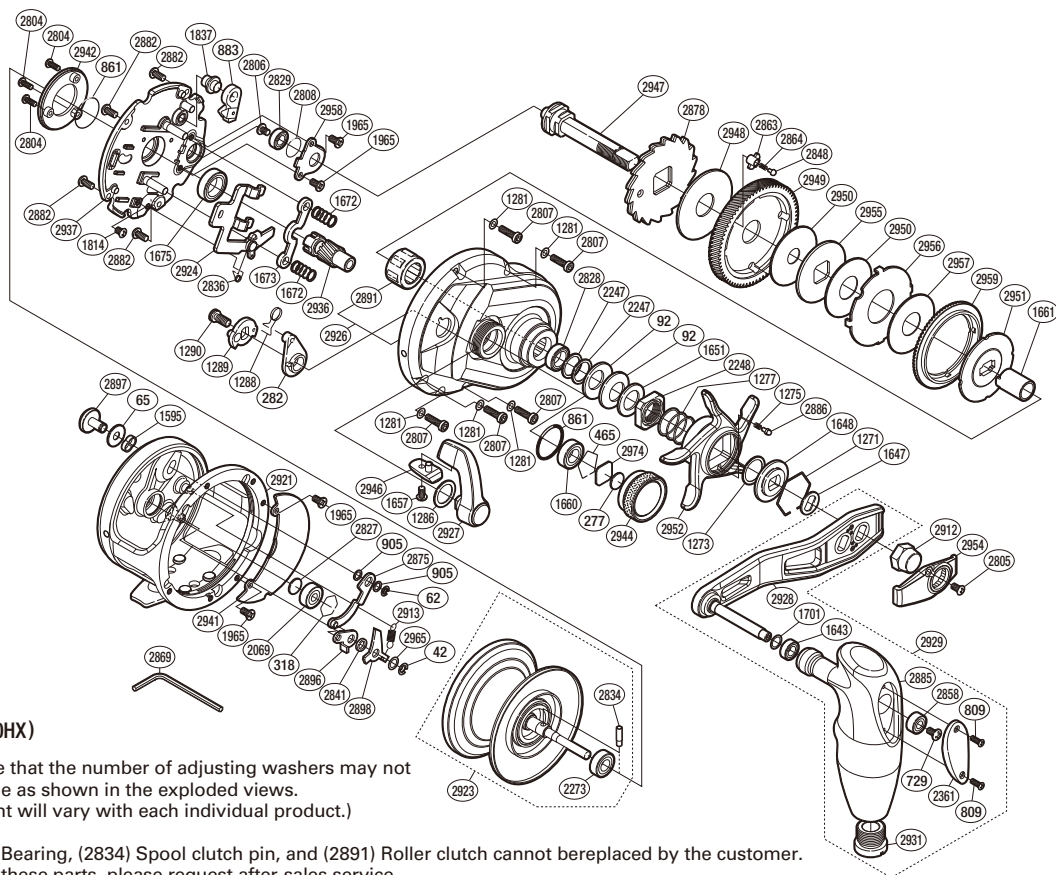


SHIMANO

OCEA JIGGER

S A-RB

OCEA JG-2000NRHG



(51RL02210HX)

Please note that the number of adjusting washers may not be the same as shown in the exploded views.
(Adjustment will vary with each individual product.)

The (2273) Bearing, (2834) Spool clutch pin, and (2891) Roller clutch cannot be replaced by the customer.
To replace these parts, please request after-sales service.

Part No.	Description	Part No.	Description	Part No.	Description
TGT0042	E Lock	TGT1701	Washer	TGT2912	Handle Nut
TGT0062	E Lock	TGT1814	Screw	TGT2913	Anti-Reverse Pawl Spring
TGT0065	Spacer	TGT1837	Anti-Reverse Pawl Shaft	TGT2921	Frame Assembly
TGT0092	Drag Spring Washer (H)	TGT1965	Screw	TGT2923	Spool Assembly(With Bearing)
TGT0277	Cast Control Spacer	TGT2069	Ball Bearing	TGT2924	Clutch Plate Assembly
TGT0282	Eccentric Cam Bushing	TGT2247	Washer	TGT2926	Right Side Plate Assembly
TGT0318	Bearing Retainer	TGT2248	Star Drag Nut	TGT2927	Clutch Lever Assembly
TGT0465	Bearing Retainer	TGT2273	Ball Bearing	TGT2928	Handle Shank Assembly
TGT0729	Screw	TGT2361	Handle Knob I.D. Plate	TGT2929	Handle Assembly
TGT0809	Screw	TGT2804	Screw	TGT2931	Handle Knob Seal
TGT0861	O Ring	TGT2805	Screw	TGT2936	Pinion Gear
TGT0883	Anti-Reverse Pawl Assembly	TGT2806	Screw	TGT2937	Set Plate
TGT0905	Spacer	TGT2807	Screw	TGT2941	Set Plate Sticker
TGT1271	Click Plate Retainer	TGT2808	O Ring	TGT2942	Drainage Plate
TGT1273	Washer	TGT2827	Spacer B	TGT2944	Cast Control Cap
TGT1275	Click Spring	TGT2828	Ball Bearing	TGT2946	Clutch Lever Protector
TGT1277	Star Drag Spring	TGT2829	Ball Bearing	TGT2947	Drive Shaft
TGT1281	Washer	TGT2834	Spool Clutch Pin	TGT2948	Drag Washer
TGT1286	Washer	TGT2836	Clutch Pawl Spring	TGT2949	Drive Gear
TGT1288	Clutch Spring	TGT2841	F-Bushing	TGT2950	Drag Washer
TGT1289	Clutch Cam Assembly	TGT2848	Drag Click	TGT2951	Pressure Plate
TGT1290	Screw	TGT2858	Ball Bearing	TGT2952	Star Drag
TGT1595	Click Switch Cam	TGT2863	Drag Click Pin Holder	TGT2954	Handle Nut Plate
TGT1643	Ball Bearing	TGT2864	Click Spring	TGT2955	Drag Washer
TGT1647	Drive Shaft Shield	TGT2875	F-Anti-Reverse Link Assembly	TGT2956	Eared Washer
TGT1648	Star Drag Click Plate	TGT2878	Anti-Reverse Ratchet Assembly	TGT2957	Drag Washer
TGT1651	Star Drag Spacer	TGT2882	Screw	TGT2958	Drive Shaft Retainer
TGT1657	Screw	TGT2885	Handle Knob	TGT2959	Drag Click Ratchet
TGT1660	Ball Bearing	TGT2886	Click Pin	TGT2965	Washer
TGT1661	Roller Clutch Inner Tube	TGT2891	Roller Clutch Bearing	TGT2974	Cast Control Spacer
TGT1672	Yoke Spring	TGT2896	F-Anti-Reverse Switch		
TGT1673	Yoke	TGT2897	F-Anti-Reverse Knob	TGT2807	Screw (accessory)
TGT1675	Ball Bearing	TGT2898	F-Baitrunner Pawl	TGT2869	Wrench (accessory)