

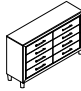


ASSEMBLY INSTRUCTIONS





B1248-060 LENNOX MIRROR

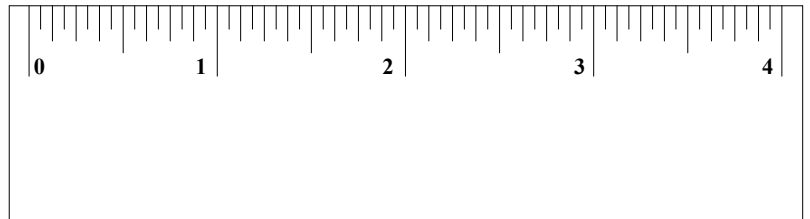
Thank you for purchasing this quality product. Be sure to check all packing materials carefully for small parts, which may have come loose inside the carton during shipment. Identify and count all items and compare with the parts list and/or hardware list shown.

PARTS LIST

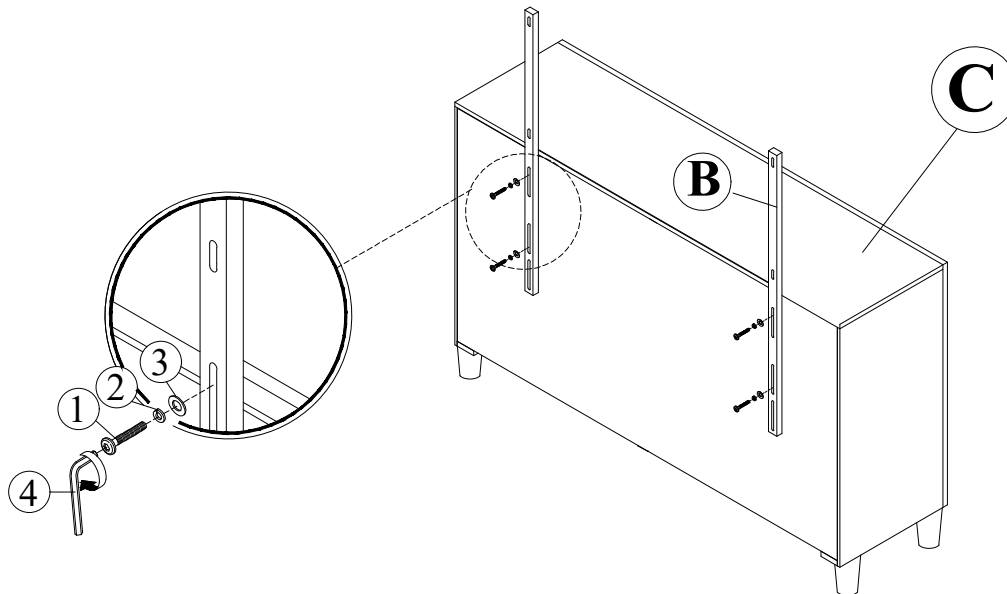
NO	COMPONENT	DRAWING	QTY
A	Mirror		1 pc
B	Mirror Support		2 pcs
C	Dresser		1 pc

HARDWARE LIST

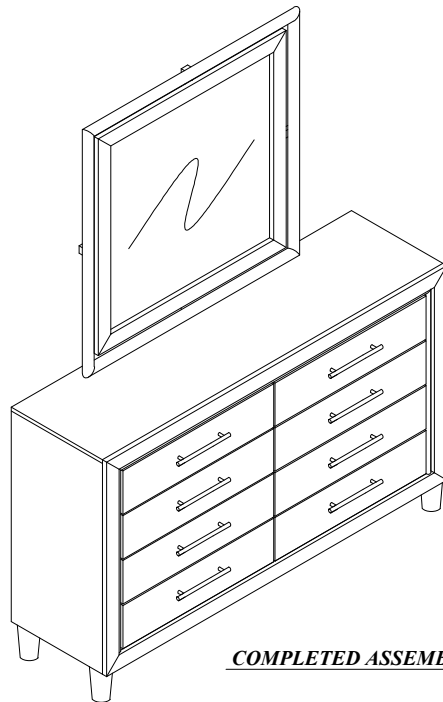
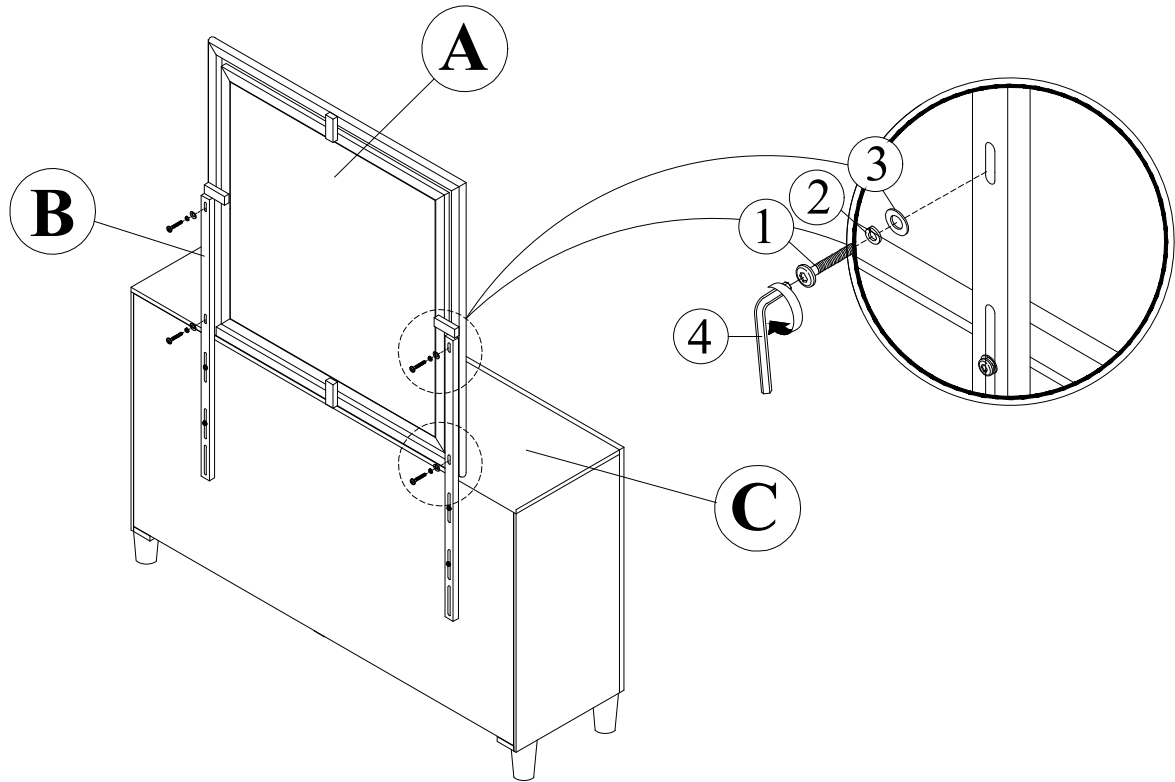
NO	COMPONENT	DRAWING	QTY
1	JCBC SCREW M6 X 1 3/8"		8 pcs
2	Spring Washer Ø 1/4"		8 pcs
3	Flat Washer Ø 1/4" x 4/5"		8 pcs
4	Allen Key M4		1 pcs



STEP 1 : Assemble the Mirror Support (B) with the Dresser (C) by using Allen Key (4) with hardware 1, 2, and 3.



STEP 2 : Place the mirror on top of Dresser (C). Assemble the Mirror (A) with the Mirror Support (B) by using Allen Key (4) with hardware 1, 2, and 3.



COMPLETED ASSEMBLY