

PART DIMENSIONS		
	MIN	MAX
WIDTH	20.50	
DEPTH	22.25	36.75
HEIGHT	18.23	
CONTAINER CAPACITY		
CONTAINER UOM		

MIN CABINET OPENING	
WIDTH	20.50
DEPTH	22.25
HEIGHT	18.23

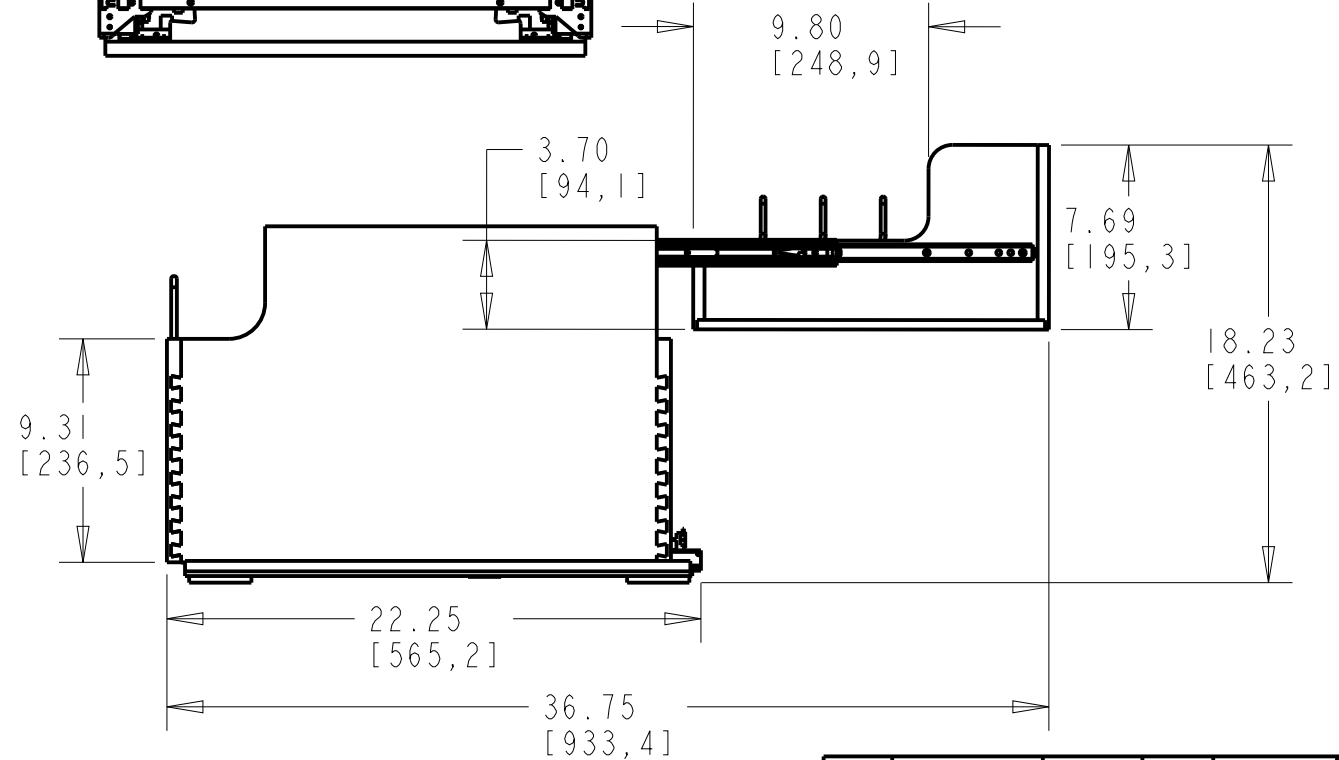
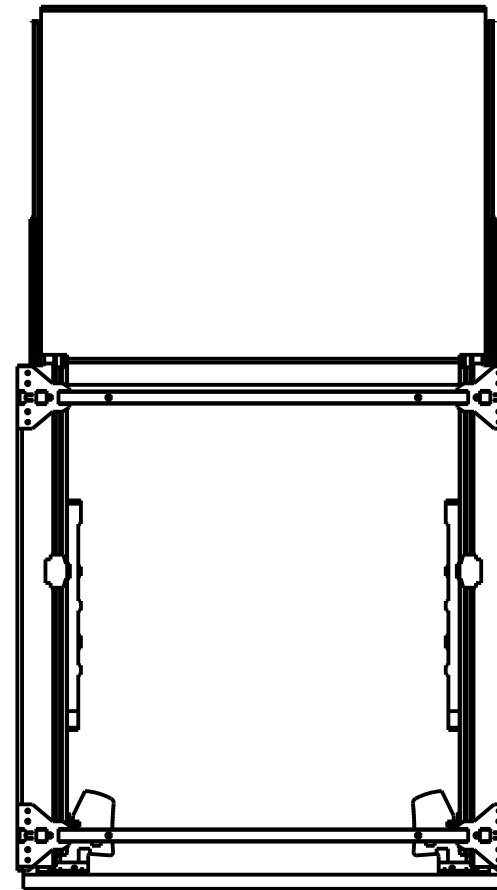
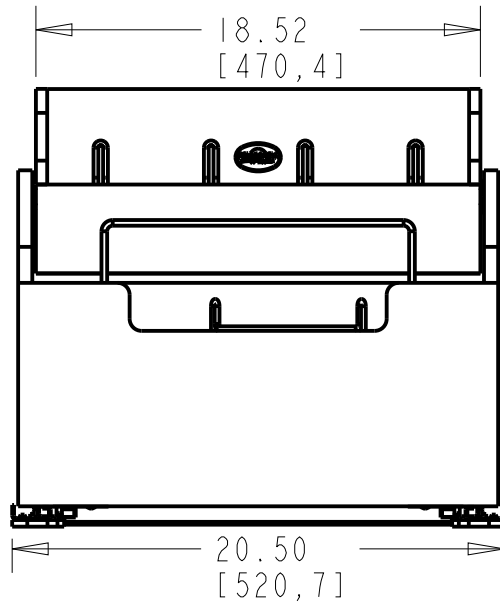
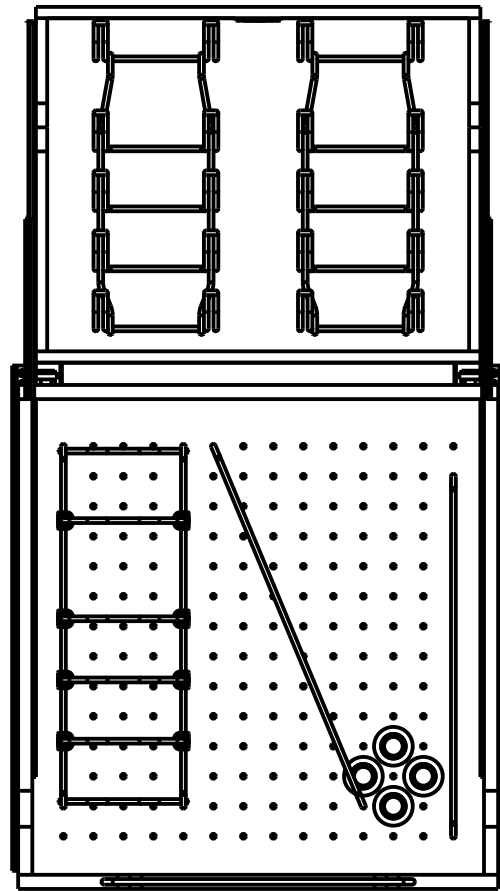
SLIDE SPECIFICATIONS				
SLIDE TYPE	UNDER MOUNT	SLIDE EXTENSION	3/4" OT	MAX WEIGHT RATING
SLIDE CLOSING	SOFT	SLIDE LENGTH	21 1/2"	
SLIDE MOUNTING	BOTTOM	SLIDE FINISH	ZINC	

CUSTOMER DRAWING

This drawing is the property of Rev-A-Shelf (RAS) and is disclosed in confidence to the extent its subject matter is original to RAS. Any vendor receiving this drawing from RAS shall hold and use this drawing for the sole benefit of RAS and shall not disclose it to, or use or reproduce it for any third party, or perform any act adverse to the interest of RAS with respect to this drawing without the express written permission of RAS. Vendors shall not revise any physical, dimensional or performance characteristic unless authorized by Rev-A-Shelf Engineering.

REV.	DATE	BY	DESCRIPTION OF CHANGE

INCH [MM]	AMERICAN PROJECTION	DRAWN	BY	DATE	
			LLS	10/16/19	
SIZE	24" WOOD COOKWARE ORGANIZER				
	TOLERANCES MAT. DEC. (WOOD) .XX ±.03 [.8mm] (OTHER) .XX ±.02 [.5mm] (ALL) .XXX ±.005 [.13 mm] FRACTIONS ±1/32 [.8 mm]		MATERIAL	DRAWING NO.	SCALE
	ANGLES ±1/2°		FINISH	4CW2-24SC-1	0.200
				PART NO.	SHEET OF
				4CW2-24SC-1	1 2



CUSTOMER DRAWING

This drawing is the property of Rev-A-Shelf (RAS) and is disclosed in confidence to the extent its subject matter is original to RAS. Any vendor receiving this drawing from RAS shall hold and use this drawing for the sole benefit of RAS and shall not disclose it to, or use or reproduce it for any third party, or perform any act adverse to the interest of RAS with respect to this drawing without the express written permission of RAS. Vendors shall not revise any physical, dimensional or performance characteristic unless authorized by Rev-A-Shelf Engineering.

REV.	DATE	BY	DESCRIPTION OF CHANGE

INCH [MM]	AMERICAN PROJECTION	DRAWN	BY	DATE	REV-A-SHELF, INC.
		LLS	LLS	10/16/19	
TOLERANCES					DRAWING NO. SCALE
MAT. DEC. (WOOD) .XX ±.03 [.8mm] (OTHER) .XX ±.02 [.5mm] (ALL) .XXX ±.005 [.13 mm] FRACTIONS ±1/32 [.8 mm]					
ANGLES ±1/2°					PART NO. SHEET OF
MATERIAL FINISH					
					4CW2-24SC-1 2 2