

88 5601 81 Swivel Chair

IMPORTANT NOTE

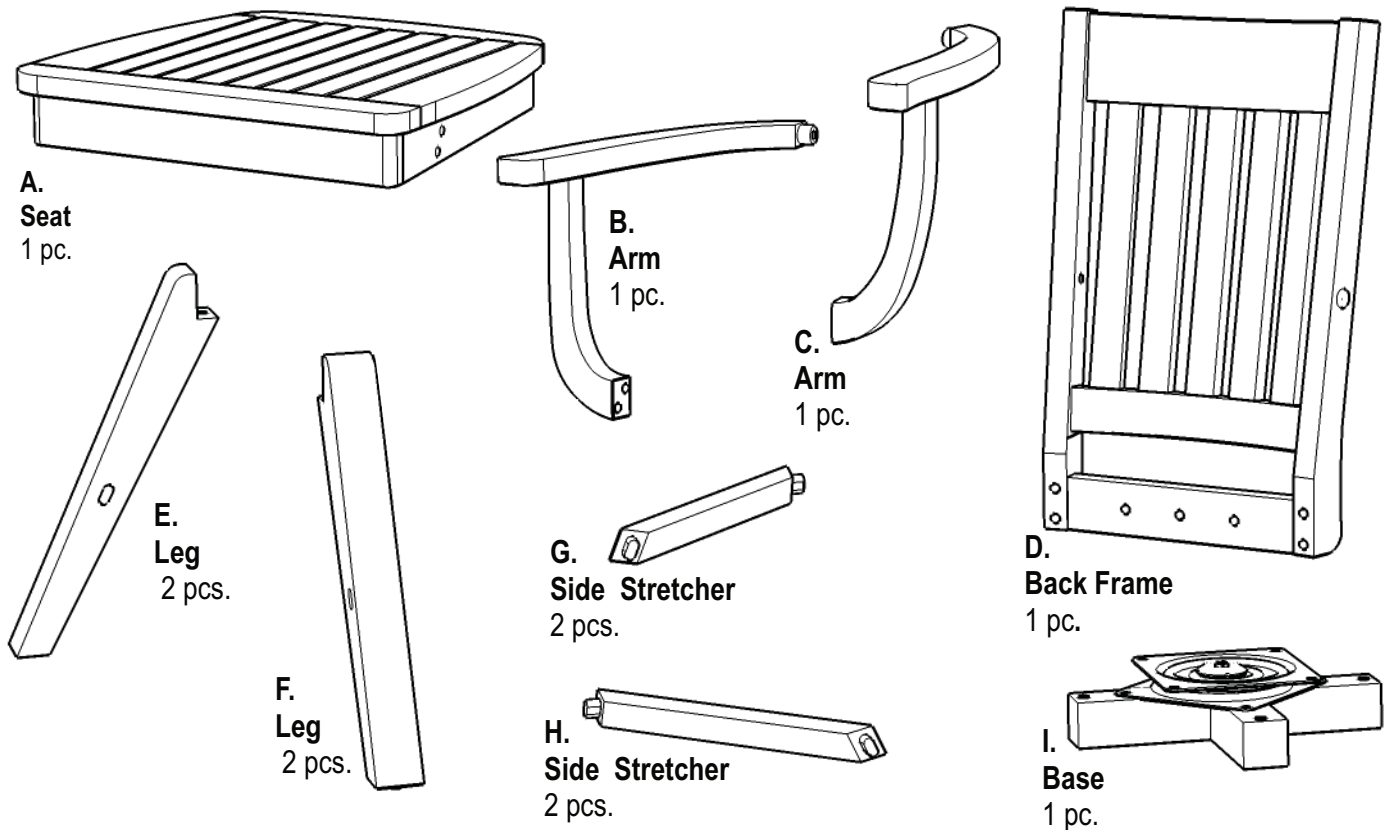
Carefully remove all the parts from the carton and put them individually on a soft cloth to prevent scratches or other damages occurring to the parts.

We have taken great care in the design of this product and request that you carefully and strictly follow our assembly instructions to ensure a completed product as it was designed.

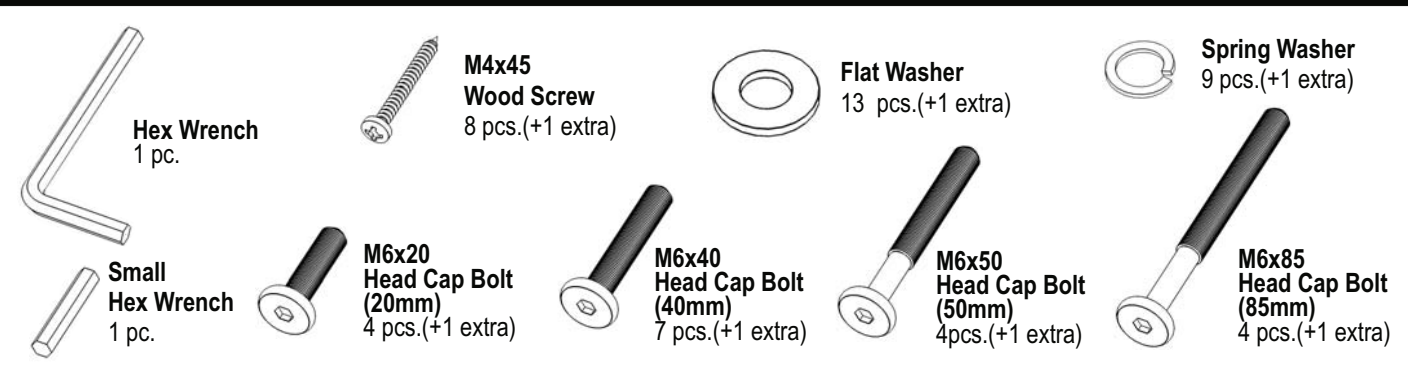
Home
Styles



Part List



Hardware List



Tools required for assembly : **Phillips** screwdriver

Home Styles Consumer Assistance Line 888-680-7460 and 877-831-0319

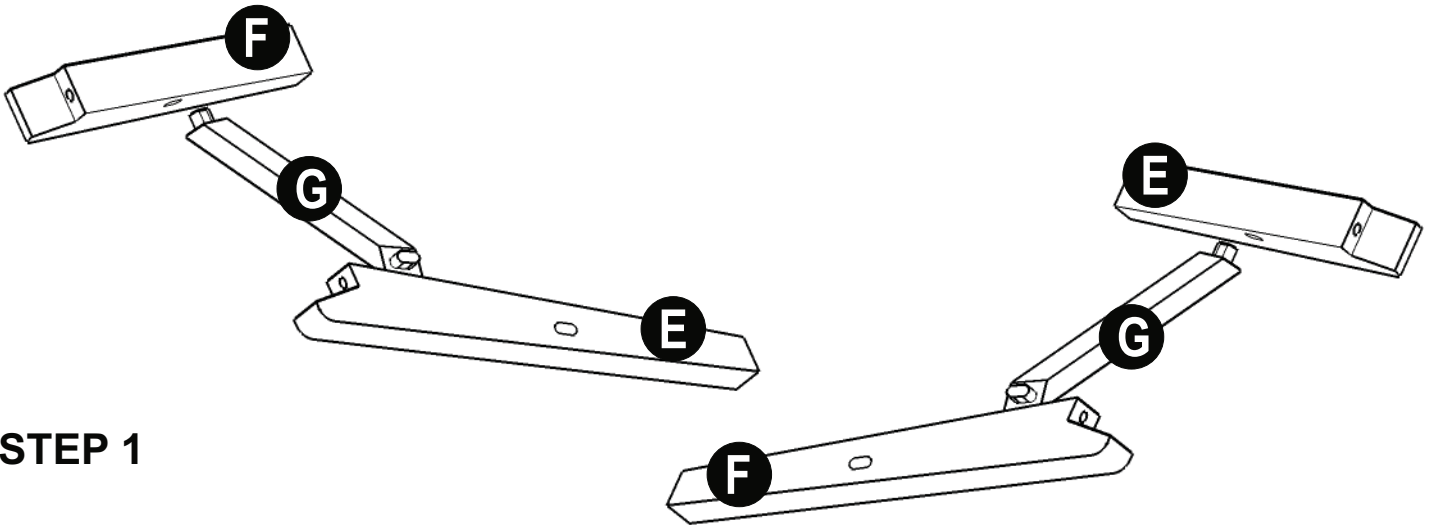
servicedesk@homestyles-furniture.com

Assembly Instructions 2/4

IMPORTANT

* Do not tighten up all the screws until each part is properly assembled.

* You should keep Hex Wrench in a safe place as you may need to tighten up the Head Cap Bolts in the future.



STEP 1

Attach Stretchers (G) to Legs (E) and (F).

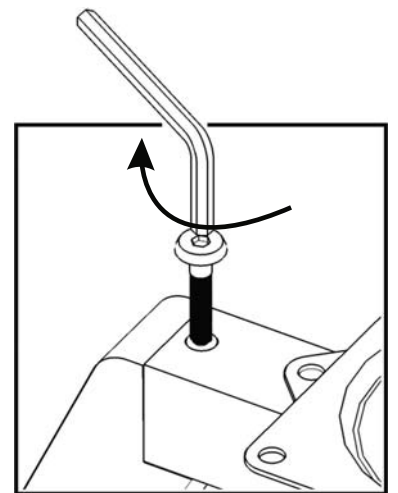
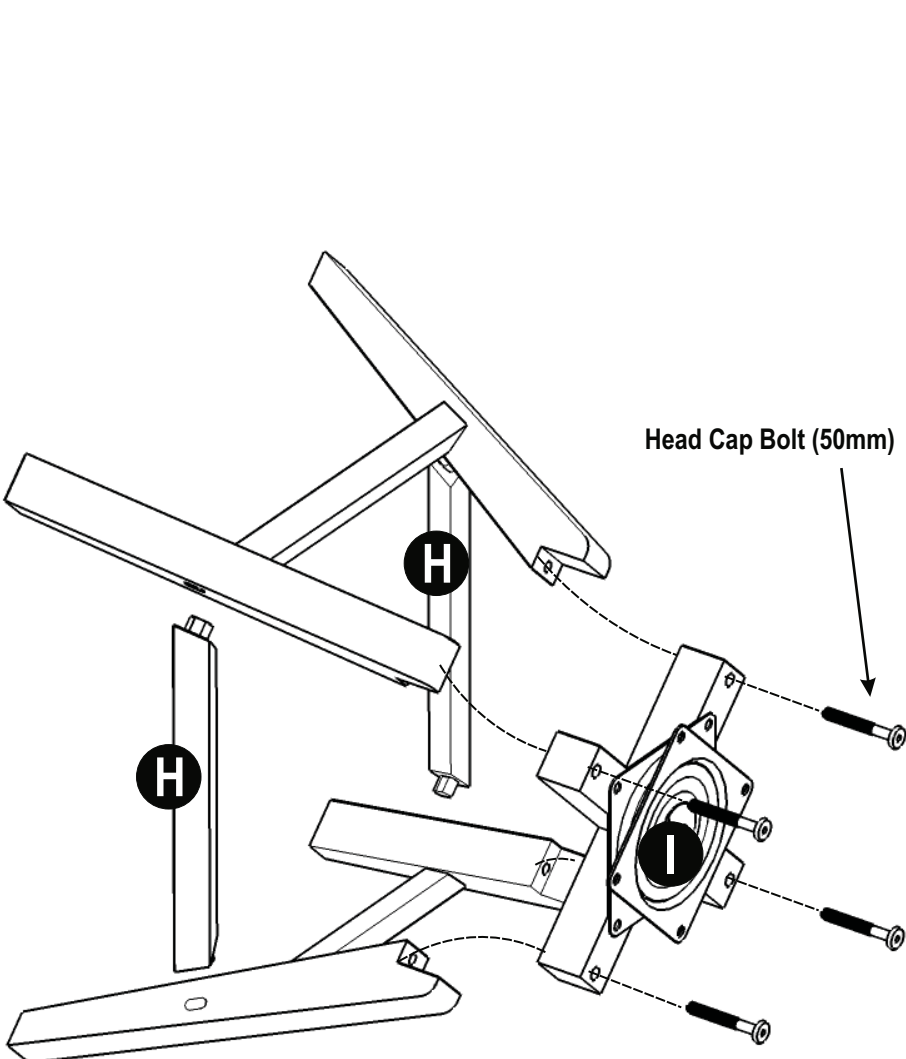


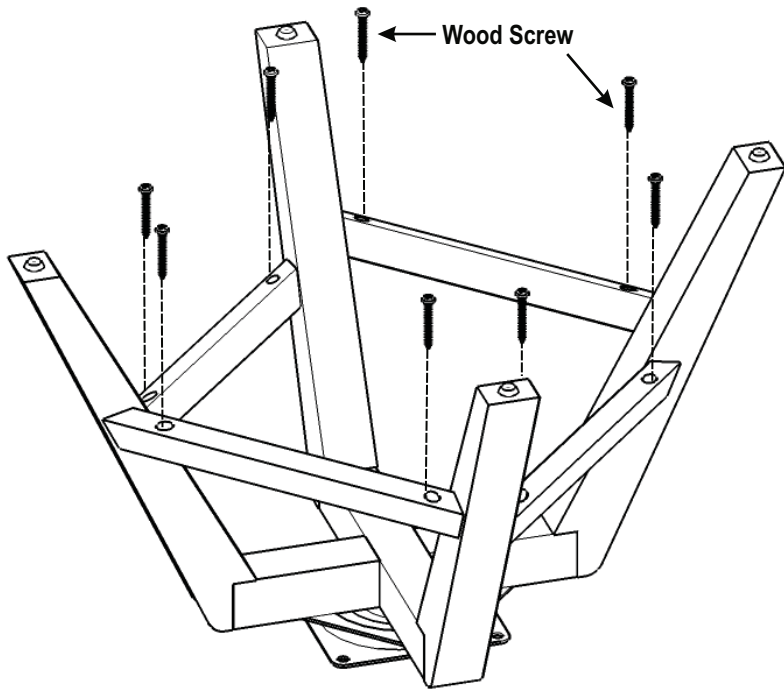
Figure 1

STEP 2

Attach one leg unit to Base (I) with Head Cap Bolts (50mm). (see Figure 1)

Attach Stretchers (H) to base unit.

Attach the other leg unit to base unit with Head Cap Bolts (50mm).



STEP 3

Turn the base unit upside down.

Insert Wood Screws and tighten.
(see Figure 2)

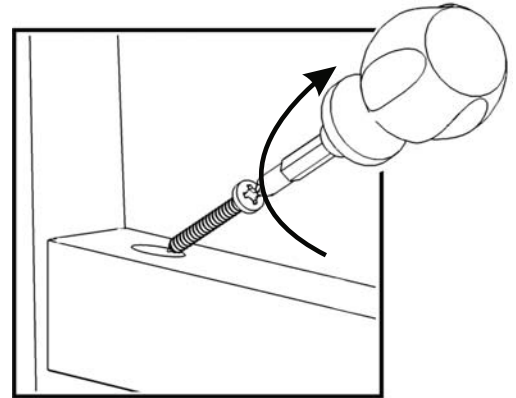


Figure 2

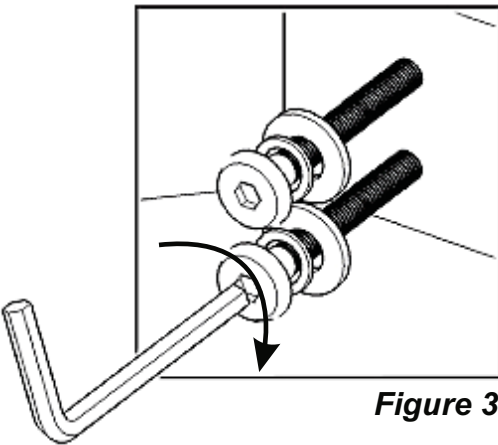


Figure 3

Head Cap Bolt (85mm)
Spring Washer
Flat Washer

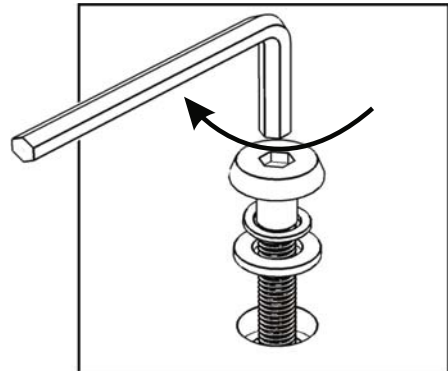


Figure 4

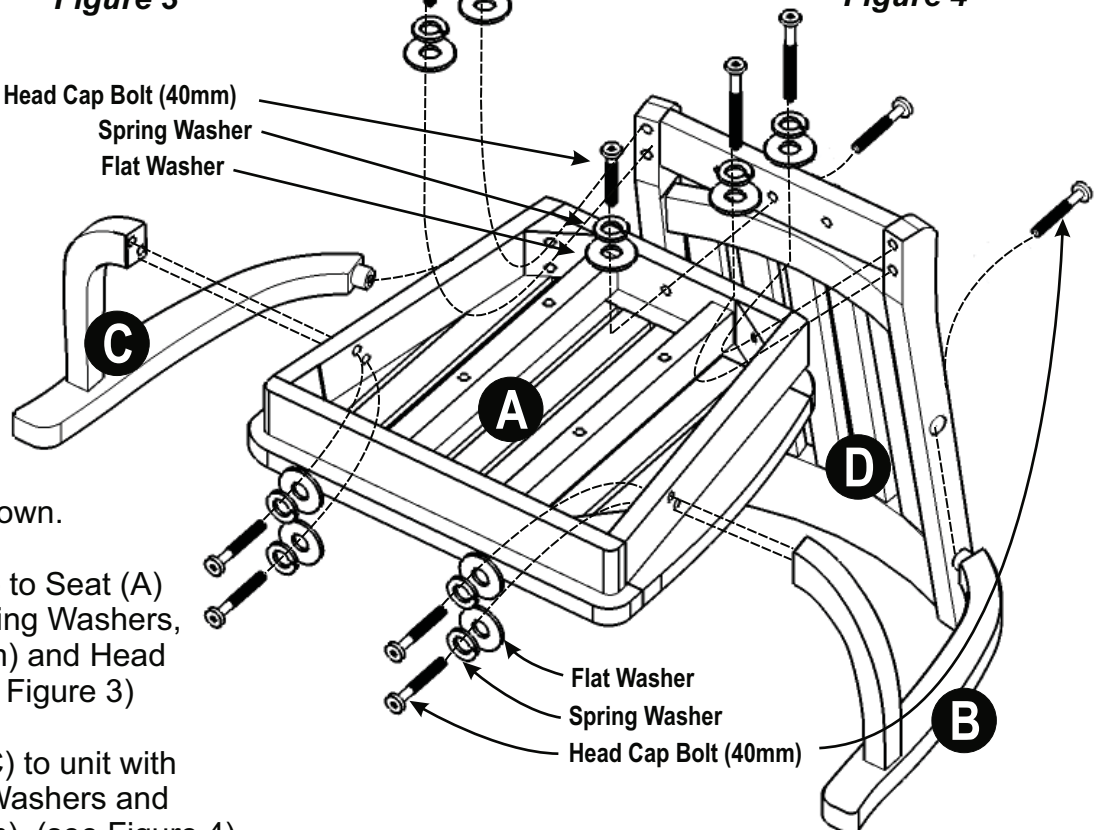
Head Cap Bolt (40mm)
Spring Washer
Flat Washer

STEP 4

Turn Seat (A) upside down.

Attach Back Frame (D) to Seat (A) with Flat Washers, Spring Washers, Head Cap Bolts (85mm) and Head Cap Bolt (40mm). (see Figure 3)

Attach Arms (B) and (C) to unit with Flat Washers, Spring Washers and Head Cap Bolts (40mm). (see Figure 4)



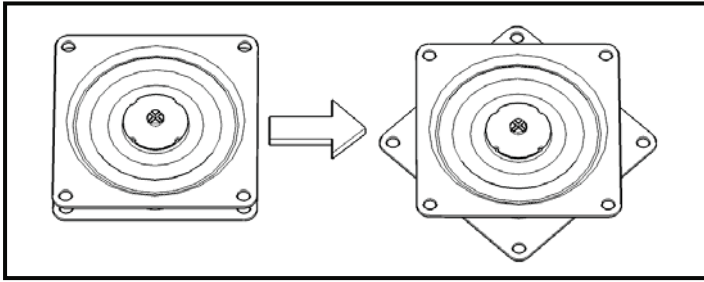


Figure 5

STEP 5

Rotate the swivel plate. (see Figure 5)

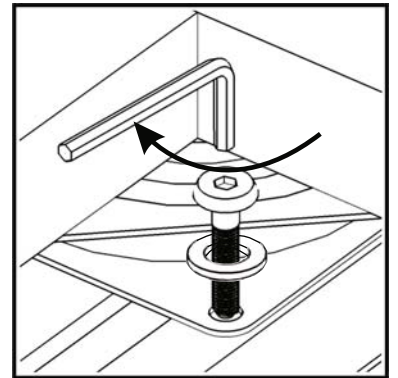
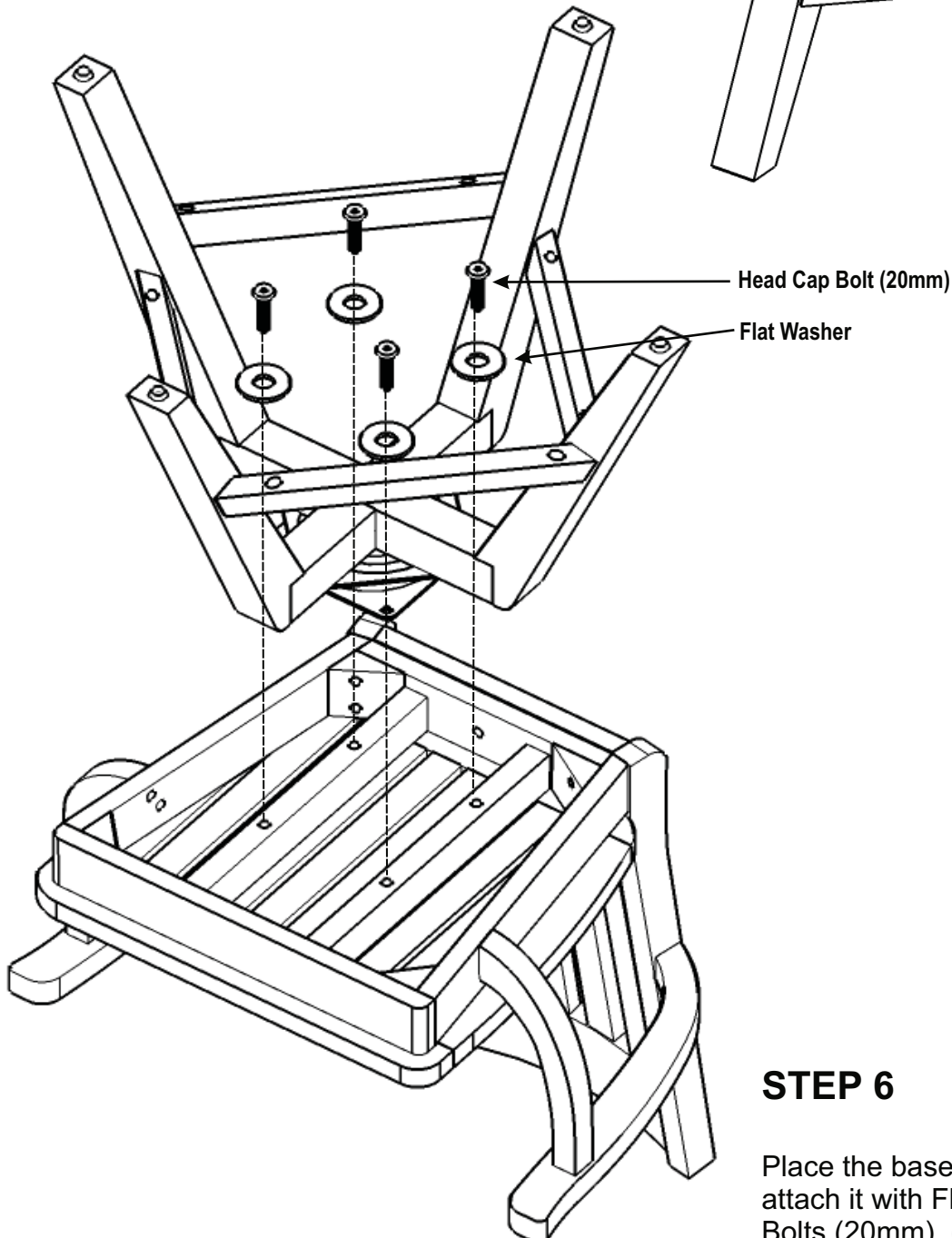
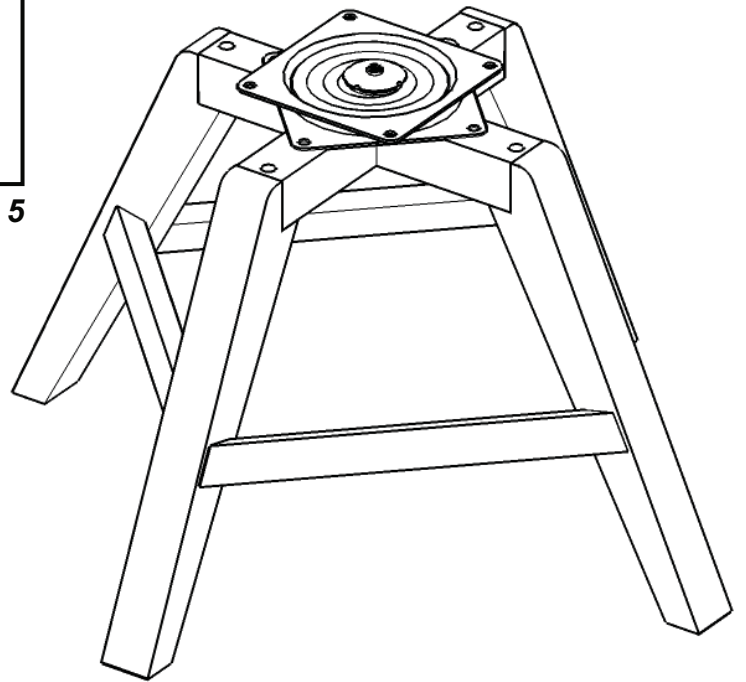


Figure 6

STEP 6

Place the base unit onto the top unit and attach it with Flat Washers and Head Cap Bolts (20mm). (see Figure 6)