

## AXOR Universal Accessories

### Dual Towel Bar

Finishes : **chrome**    Part no. : **42821000**



#### Description

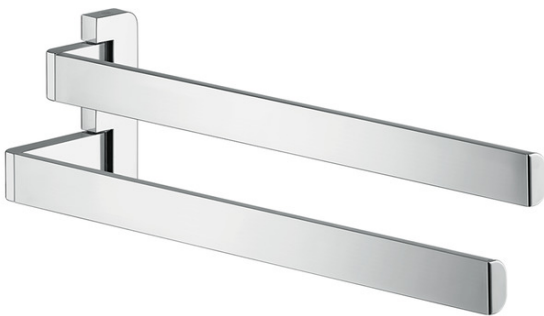
##### Features

- Metal
- Wall-mounted
- Arms swivel independently

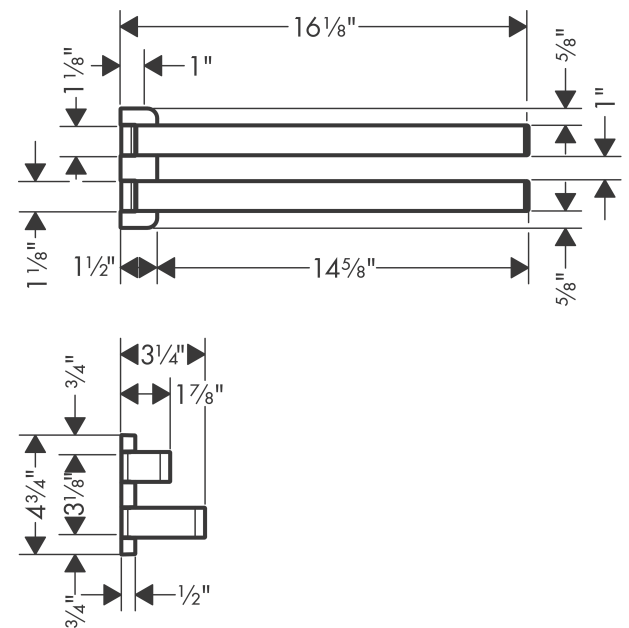
#### Design awards



#### Product image



#### Scale drawing

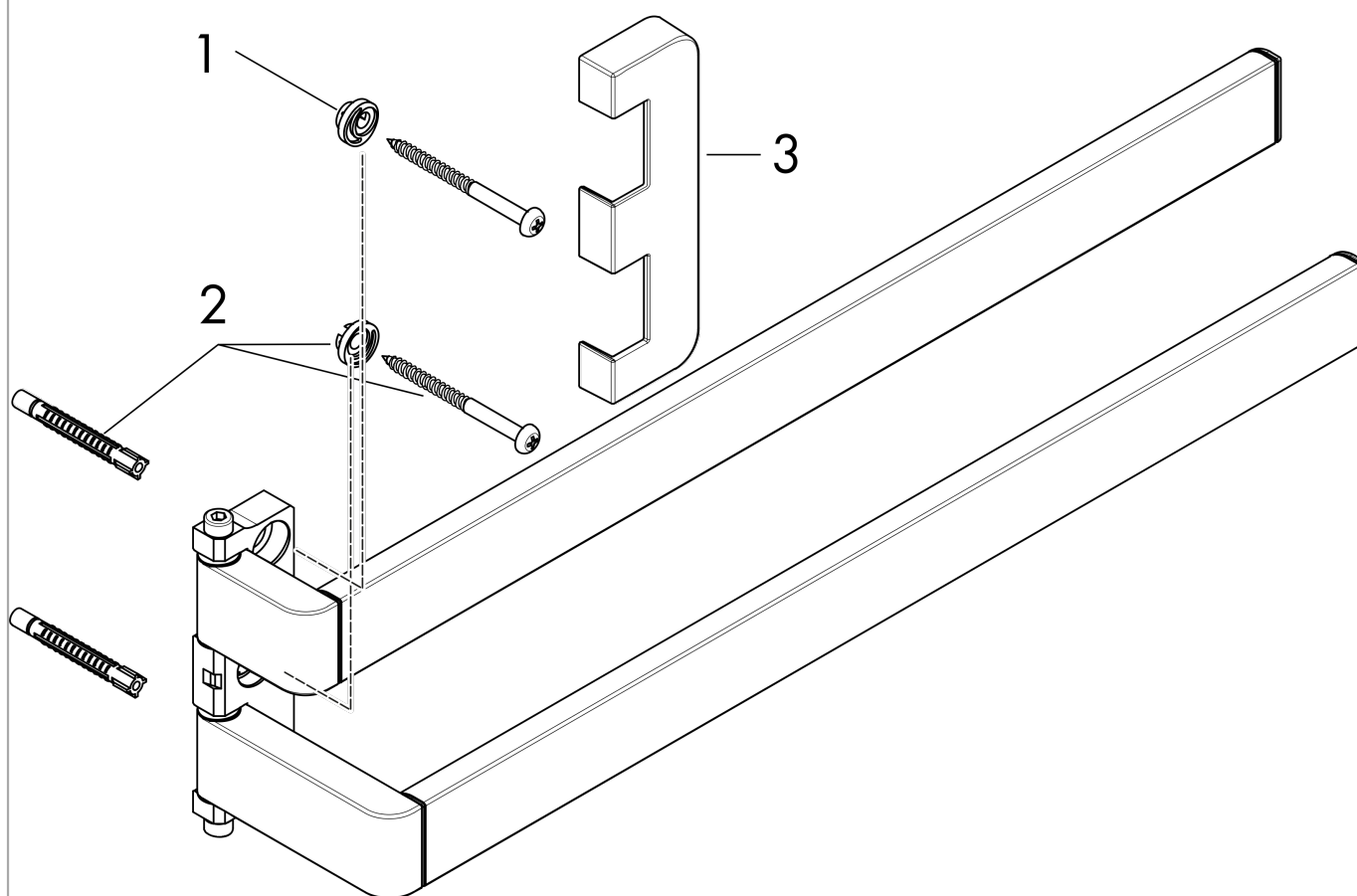


**AXOR Universal Accessories**  
**Dual Towel Bar**  
Finishes : **chrome**    Part no. : **42821000**



## Exploded drawing

Year of production: >11/14



## AXOR Universal Accessories

### Dual Towel Bar

Finishes : **chrome**    Part no. : **42821000**



### Spare parts list

Year of production: >11/14

Pos.	Description	Part no.	PC	PU
1	excentric socket	97604000	0	1
2	mounting set	40915000	0	1
3	cover	92432000	0	1