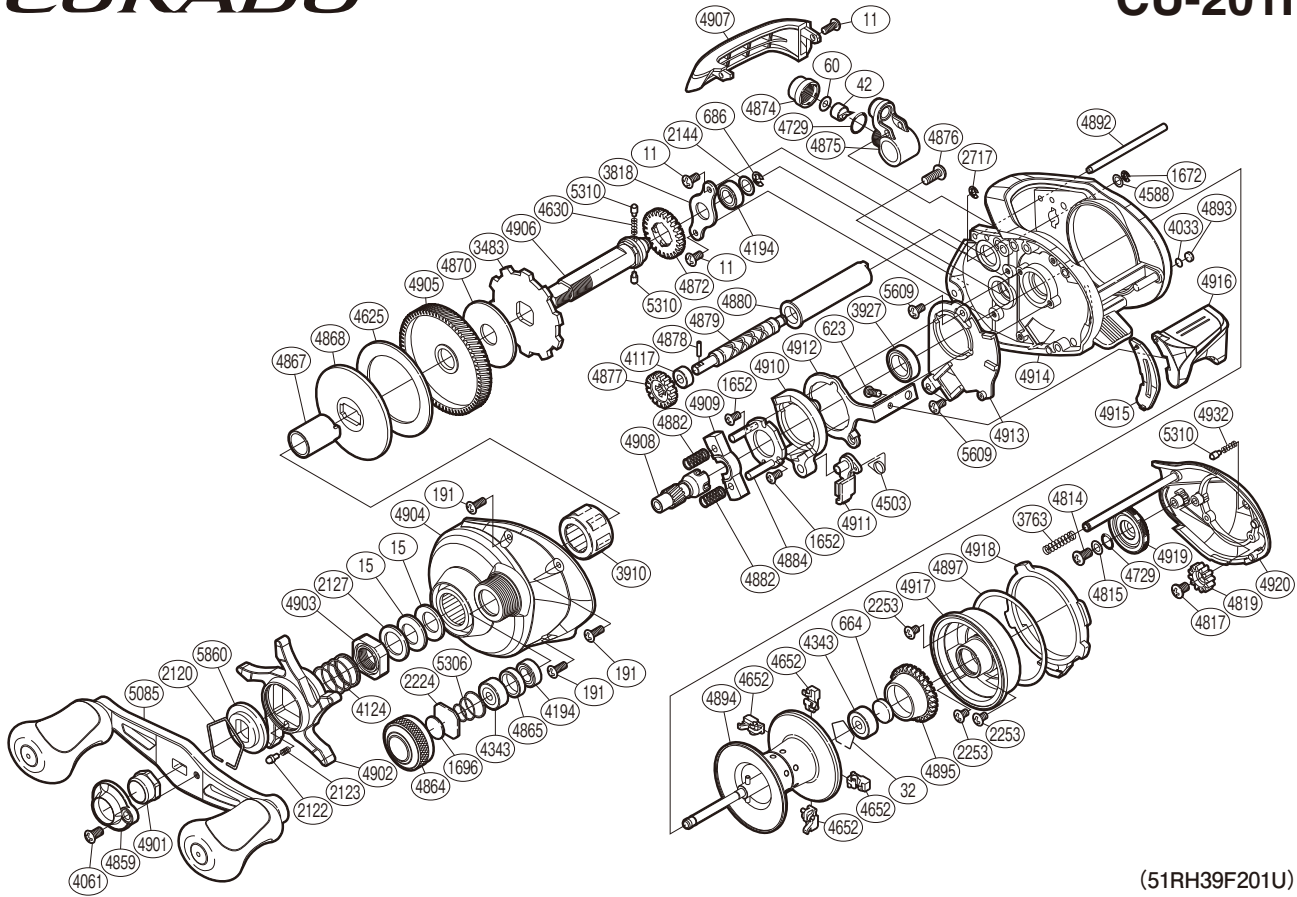


SHIMANO

CURADO

CU-2011



(51RH39F201U)

#	Part No.	Description	#	Part No.	Description	#	Part No.	Description
11	10MT0	Screw	4343	105C3	Ball Bearing	4895	10EXQ	Brake Ring Gear
15	10D60	Drag Spring Washer	4503	104CQ	Clutch Pawl Spring	4897	104MX	Washer
32	10GEW	Bearing Retainer	4588	10FJZ	Washer	4901	10FFD	Handle Nut
42	10FFZ	Line Guide Pawl	4625	106XT	Drag Washer	4902	10ATZ	Star Drag
60	10CFW	Spacer	4630	10JDX	Idle Gear Spring	4903	10A3U	Star Drag Nut
191	10MPT	Screw	4652	1046G	Brake Shoe	4904	10GK5	Left Side Plate
623	103C0	Screw	4729	108WQ	O Ring	4905	10CMF	Drive Gear
664	1057S	Spacer B	4814	103LE	Screw	4906	1058M	Drive Shaft
686	105NK	E Lock	4815	10GFB	Washer	4907	10FWE	Level Wind Protector
1652	10LVE	Screw	4817	103L7	Screw	4908	10CRZ	Pinion Gear
1672	105NC	E Lock	4819	10CLF	Idle Gear	4909	1046W	Yoke
1696	10896	Cast Control Spacer	4859	10Q5P	Handle Nut Plate	4910	10K0P	Clutch Cam
2120	10KXV	Click Plate Retainer	4864	10KDL	Cast Control Cap	4911	10MQM	Clutch Pawl
2122	10BT0	Click Pin	4865	10EYS	Bearing Spacer	4912	10QGJ	Clutch Plate
2123	10BT2	Click Spring	4867	10CCN	Roller Clutch Inner Tube	4913	10BVM	Clutch Guard
2127	10J1N	Star Drag Spacer	4868	10D3H	Key Washer	4914	10EVE	One-Piece Frame
2144	10C47	Washer	4870	10CHF	Drag Washer	4915	1096T	Clutch Bar Guide
2224	1085F	Spool Tension Spacer	4872	10J47	Idle Gear	4916	10CDM	Quick-Fire II Clutch Bar
2253	103N4	Screw	4874	10FJB	Pawl Cap	4917	10FXC	Brake Case
2717	105NB	E Lock	4875	10NVQ	Line Guide	4918	10BAL	Side Plate Cam Lever
3483	109BB	Anti-Reverse Ratchet	4876	103DC	Screw	4919	10AZC	Br Dial
3763	10KNG	Side Plate Spring	4877	10FNV	Idle Gear	4920	10D0B	Right Side Plate
3818	109T0	Drive Shaft Retainer	4878	10AEZ	Worm Shaft Pin	4932	10GQZ	Click Spring
3910	10F5D	Roller Clutch Bearing	4879	104SN	Worm Shaft	5085	10CEZ	Handle Assembly
3927	10EX8	Ball Bearing	4880	10NFQ	Level Wind Guard	5306	10TMT	Spool Tension Spring
4033	108SK	Washer	4882	10487	Yoke Spring	5310	10HJG	Idle Gear Pin
4061	103ED	Screw	4884	10F3X	Clutch Cam Retainer	5609	10LCT	Screw
4117	10PXY	Bushing	4892	10QSE	Stabilizer Bar	5860	10J26	Star Drag Click Plate
4124	10A70	Star Drag Spring	4893	108PY	Anti-Thrust Washer			
4194	105BP	Ball Bearing	4894	10L12	Spool Assembly	4692	10LQ0	B-100 Oil (accessory)

Please note that the number of adjusting washers may not be the same as shown in the exploded views.
(Adjustment will vary with each individual product.)

(241029)_005