



Item No: W-8320A

Fantasy Fields - Sunny Safari Step Stool

WARNING

Small parts and sharp points may be present prior to assembly.

CARE INSTRUCTIONS

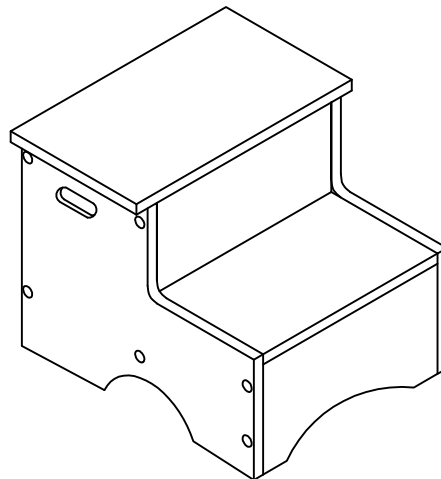
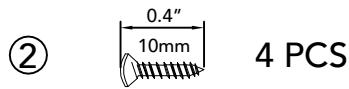
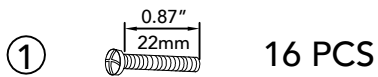
To clean your product, use mild soap and water on a damp cloth. Do not use window cleaners or cleaning abrasives as they will scratch the surface and could damage the protective coating.

CUSTOMER SERVICE

For questions regarding this product, or to receive replacement or missing parts, please contact customer service based on your location. Please have ready the model number and part number(s) located in this assembly instruction sheet when you contact us.

Made in China

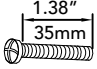
HARDWARE

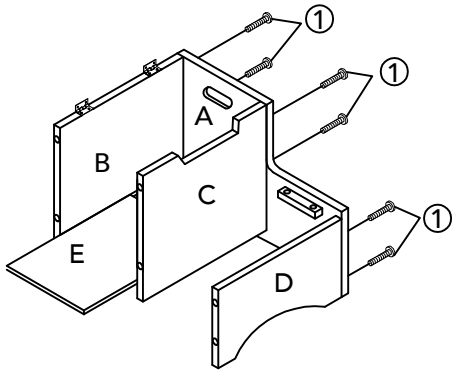


PRODUCT PARTS

<p>A</p> <p>1PC</p>	<p>B</p> <p>1PC</p>	<p>C</p> <p>1PC</p>	<p>D</p> <p>1PC</p>	<p>E</p> <p>1PC</p>	<p>F</p> <p>1PC</p>	<p>G</p> <p>1PC</p>
<p>H</p> <p>1PC</p>						

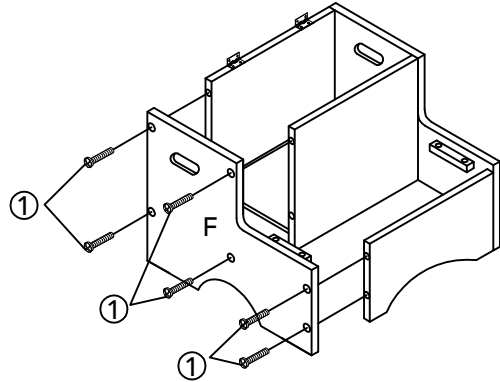
STEP1

①  1.38"
35mm 6PCS

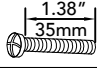


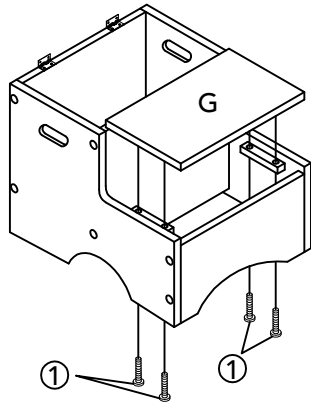
STEP2

①  1.38"
35mm 6PCS

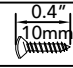


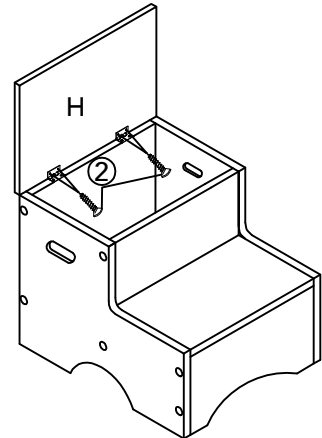
STEP3

①  1.38"
35mm 6PCS



STEP4

②  0.4"
10mm 4PCS



STEP5

