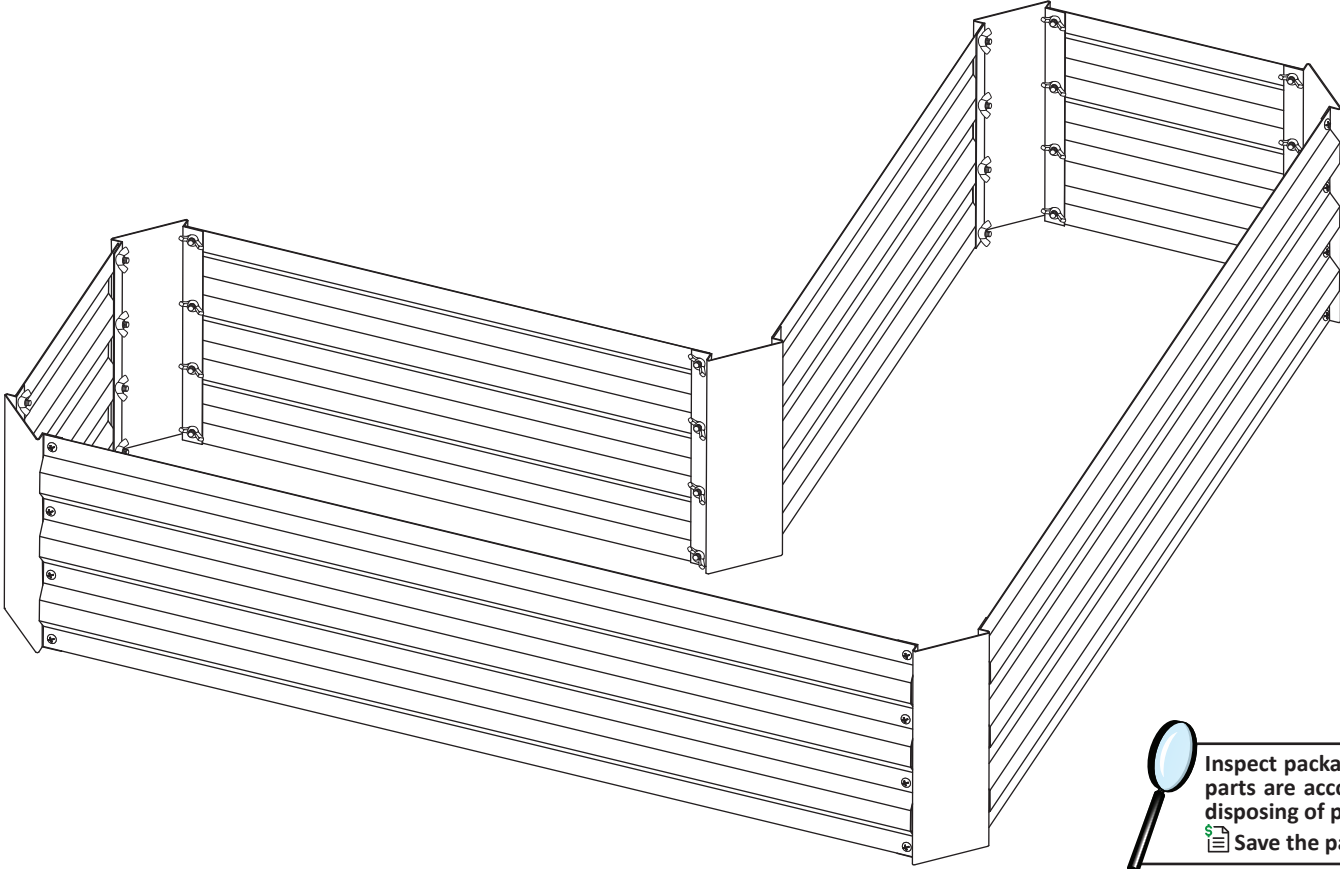



Thank you for choosing Sunnydaze Decor. We stand behind our brand and the quality of the items we sell. Replacement parts or products will be sent at our discretion within the 1-year warranty period. Proof of purchase, with the date of purchase as well as photos of the merchandise defect, must be provided. Photos are used to determine the cause of defects and for future quality control. Register your warranty at <https://tiny.cc/SunnydazeWarranty>. If you have any questions, comments or concerns, feel free to contact us by phone at 833-982-1977, by email: [customerservice@sunnydazedecor.com](mailto:customerservice@sunnydazedecor.com), or via our contact us page at <https://tiny.cc/SunnydazeContact>

# L-SHAPED GALVANIZED STEEL RAISED GARDEN BED

Review all assembly and care information carefully before using this product. Save this manual for future reference.  
**Assemble components on a soft, clean surface to avoid damaging the finish.**



 Inspect packaging to ensure all parts are accounted for before disposing of packing materials.  
 📄 Save the packing slip.





## CAUTION:

### SHARP EDGES

**USE EXTREME CAUTION**

◀ WEAR GLOVES DURING ASSEMBLY ▶

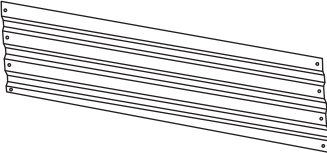
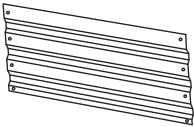

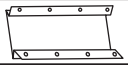


TOOLS REQUIRED (not included)	
 	Phillips Screwdriver



## WARNING



**CHOKING HAZARD** — This item contains small parts that can be swallowed. Keep children and pets away during assembly.

No.	PARTS	QTY.
A	 <span style="float: right;">Long Panel</span>	2
B	 <span style="float: right;">Medium Panel</span>	2
C	 <span style="float: right;">End Panel</span>	2
D	 <span style="float: right;">Corner</span>	6
E	 <span style="float: right;">M6x10mm Bolt</span>	48
F	 <span style="float: right;">Wing Nut</span>	48

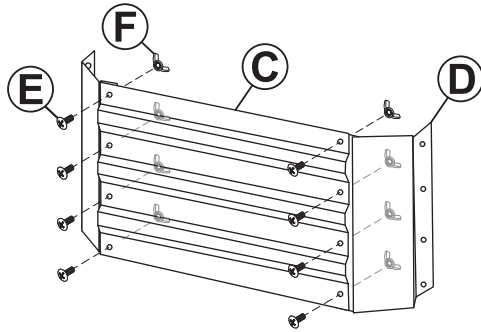
# ASSEMBLY

Review all steps and understand assembly before beginning.

**Do not fully tighten hardware until all components have been loosely assembled.**

## STEP 1

- C: 2
- D: 4
- E: 16
- F: 16



**x2**

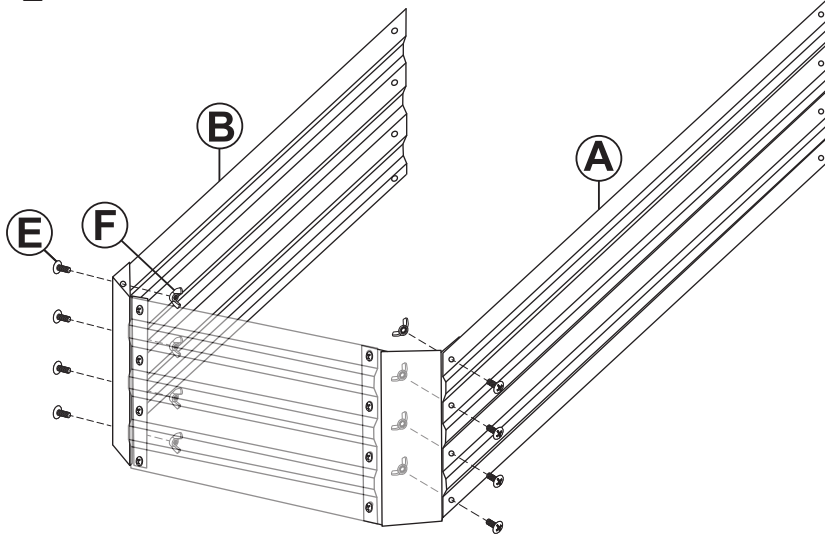
**IMPORTANT:** Identify the rolled edges of the panels and ensure they are installed facing the inside of the garden bed.

Align End Panel (C) with Corner (D) and secure using four M6x10mm Bolts (E) and Wing Nuts (F).

Repeat until both end panels have corners installed on each side.

## STEP 2

- A: 2
- B: 2
- E: 16
- F: 16



**x2**

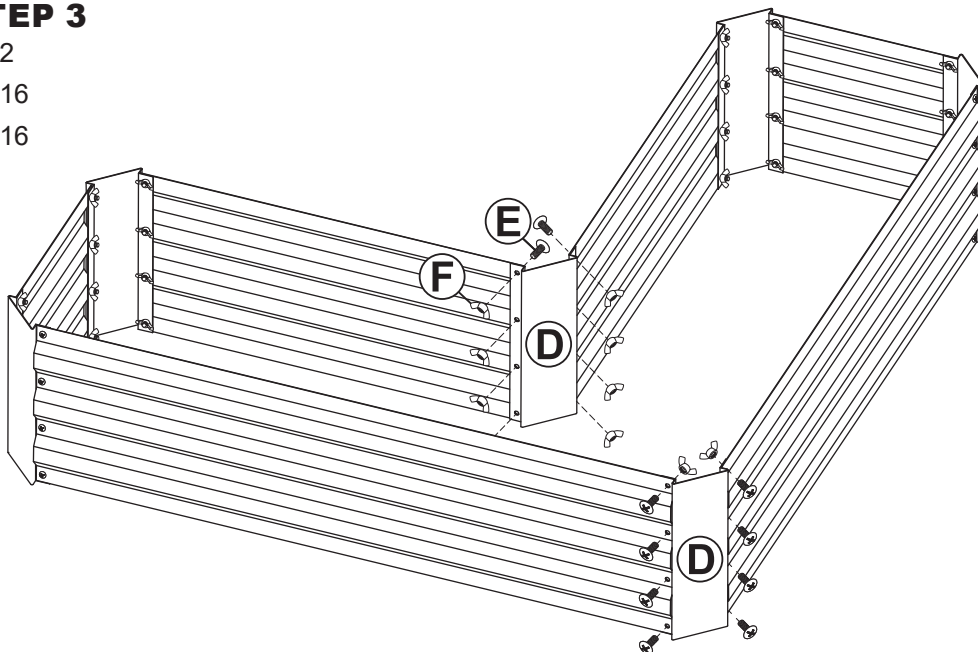
Ensuring the rolled edges are facing the inside of the garden bed, align one Long Panel (A) with the corner, as shown, and secure using four bolts and wing nuts.

Then, loosely fasten Medium Panel (B) to the opposite side of the end panel.

Repeat this step with the remaining long and medium panel.

## STEP 3

- D: 2
- E: 16
- F: 16



Loosely connect the long panels using one Corner (D), eight bolts and wing nuts.

Ensuring the corner piece is facing inward, loosely fasten the last corner to the medium panels.

After all components are loosely assembled, fully tighten all hardware.

# USE & CARE

- This garden bed provides ergonomic access to plants and can eliminate the need to till the soil each year as long as the soil is not packed down. Avoid stepping inside the bed!
- Prepare the site before installation. Level the ground and remove existing vegetation. Landscaping fabric can be used under the beds; a double layer is recommended for beds placed directly on a lawn.
- A layer of gravel or stone can be used at the bottom for improved drainage.
- Loosely hand-tighten all nuts and bolt sets first, position the bed, then tighten. After assembly, check that all fastening points are fully secured.
- Galvanized metal beds do not require maintenance and are built to withstand years of exposure to outdoor elements.
- The galvanized finish protects the steel from corrosion. Over time, galvanized steel will fade, and some discoloration is normal. Minor surface rust on edges and hardware is to be expected and should not affect the structural integrity of the product.

## SAFETY STATEMENTS & WARNINGS

- Wear gloves during assembly to prevent personal injury.
- Do not stand on, or lean objects against the bed wall. Doing so may damage the product.
- Do not let children play in or around the garden bed.
- Using this item for applications other than gardening will void the product warranty.

**Any modification to the product or failure to follow recommended care will void the product warranty.**

*If you experience issues with assembly or the product was damaged during shipping, please contact our customer service team through one of the methods mentioned at the top of page 1. Please have the item number and order information ready to expedite response time.*



## WARNING:

**Manufacturer and seller expressly disclaim any and all liability from personal injury, property damage or loss, whether direct or indirect, or incidental, resulting from the incorrect attachment, improper use, inadequate maintenance, or neglect of this product.**