

Features

- Four Riverjets and eight hydromassage jets can be individually adjusted for water flow and direction
- Two variable-speed pumps for adjusting massage intensity
- Chromatherapy lighting allows you to select a preferred color scheme to suit your mood
- Built-in heater
- Lighted keypad control
- Floating remote control
- Integral fill with factory-installed faucet valves
- Spacious design accommodates multiple bathers
- Requires jet trim kit (sold separately)
- Four pillows provide extra comfort

Material

- Acrylic

Hydrotherapy

- RiverBath Whirlpool
- Chromatherapy

Installation

- Drop-in

Required Products/Accessories

K-9398 Whirlpool Trim Kit
K-T9540-4 Transfer Valve Trim

or

K-T14429-4 Deck- or wall-mount bath faucet handle trim with lever design

or

K-T14429-3 Deck- or wall-mount bath faucet handle trim with cross design

or

K-T13141-3A Deck-mount bath faucet handle trim with Cross design

or

K-T37391 Rotary-turn bath drain trim
K-T37392 Rotary-turn bath drain trim

or

K-37385 rough-in cable drain, PVC, 45" cable
K-78439 45" cable bath drain

Recommended Products/Accessories

K-23726 Drain treatment
K-23732 Tub & shower cleaner



Codes/Standards

ASME A112.19.7/CSA B45.10
CSA B45.5/IAPMO Z124
ASTM E162
ASTM E662
UL 1795
CSA C22.2 No. 218.2
IAPMO Certification
cUL Listed
UL Listed

KOHLER® Hydrotherapy Components Five-Year Limited Warranty KOHLER® Plastic Baths and Shower Bases Lifetime Limited Warranty

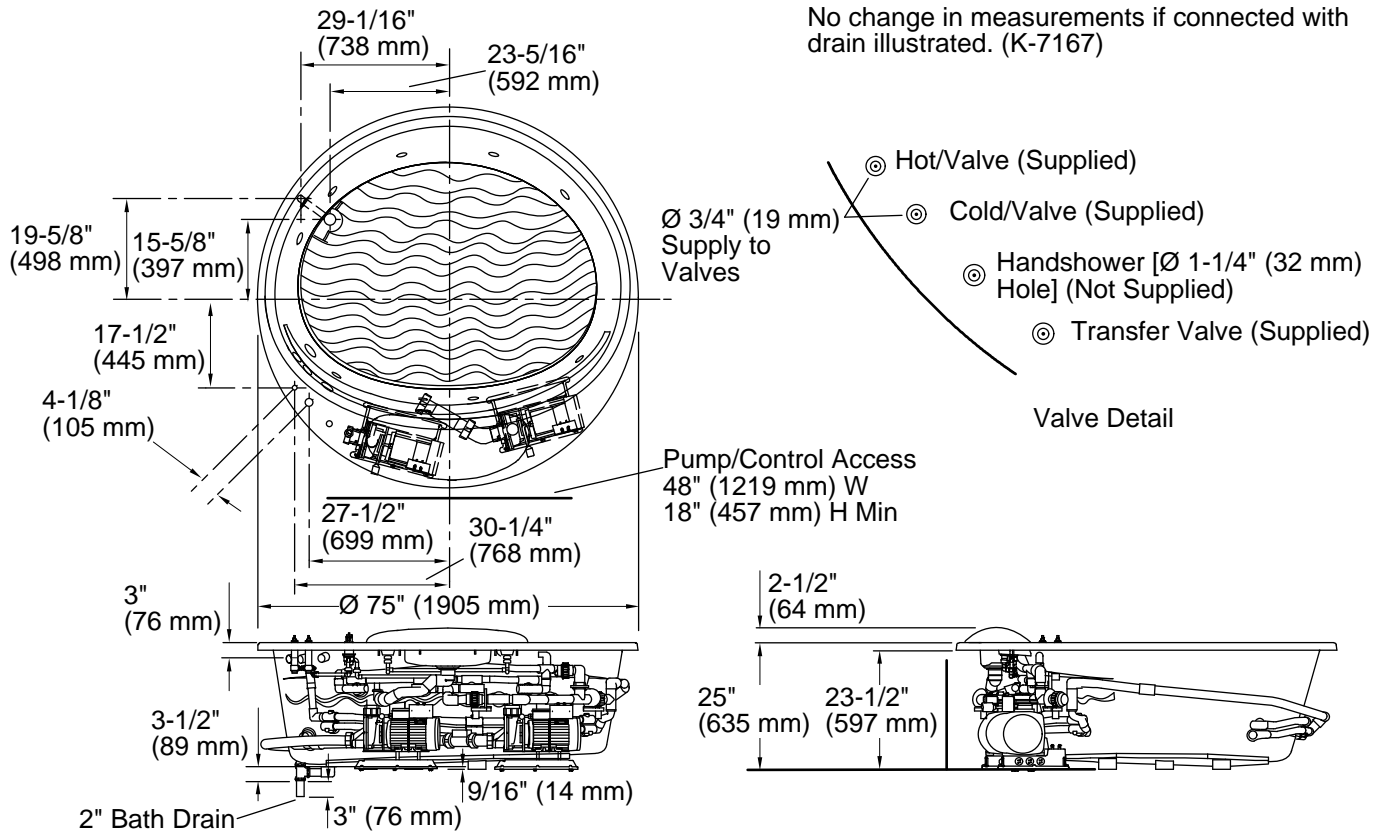
See website for detailed warranty information.

Available Colors/Finishes

Color tiles intended for reference only.

Color	Code	Description
-------	------	-------------

	0	White
---	---	-------



Required Electrical Service

Two dedicated circuits required, protected with Class A Ground-Fault Circuit-Interrupter (GFCI). Outside North America, this device may be known as a Residual Current Device (RCD).

Pump, Pump: 240 V, 20 A, 50/60 Hz
 Heater: 240 V, 20 A, 50/60 Hz

Technical Information

All product dimensions are nominal.

Drain location: Center
 Basin area, bottom: $64'' \times 46''$ (1626 mm x 1168 mm)
 Basin area, top: $68'' \times 58''$ (1727 mm x 1473 mm)
 Weight: 290 lbs (131.5 kg)
 Minimum floor load: 54 lbs/ft² (263.7 kg/m²)
 Water depth: 20" (508 mm)
 Water capacity: 215 gal (813.9 L)
 Template: Drop-in, 1000554-7, required, included
 Drop-in, 1000555-7, required, included
 1000556-7, not required, included
 1000557-7, not required, included

Electrical component Pump: 240 V, 9 A, 50/60 Hz

1-800-4KOHLER (1-800-456-4537)

Kohler Co. reserves the right to make revisions without notice to product specifications.

For the most current Specification Sheet, go to www.kohler.com USA or www.kohler.ca Canada

12-9-2024 21:03 - US/CA

Notes

Measure your actual product for rough-in details.

Install this product according to the installation instructions.

The hot water supply should be 70% of the capacity of the bath or greater. Installations will vary.

Consult local and national codes for minimum air gap requirements when installing a spout on the faucet deck other than that supplied.

The PerfectFill drain includes piping that will fit most installations. Some installations may require additional PVC piping.