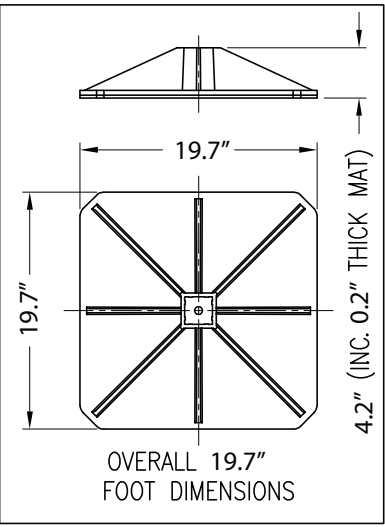
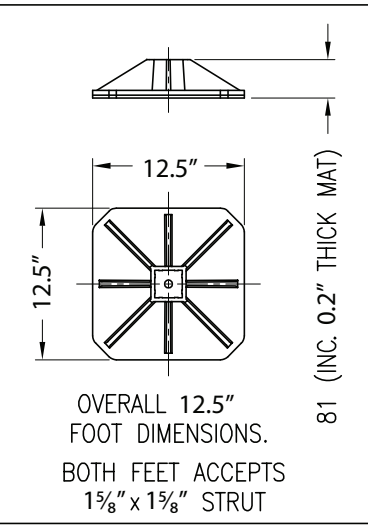
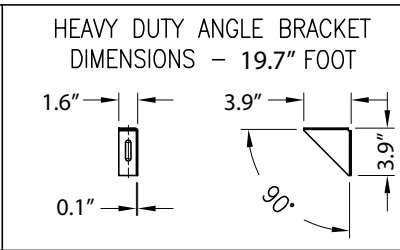
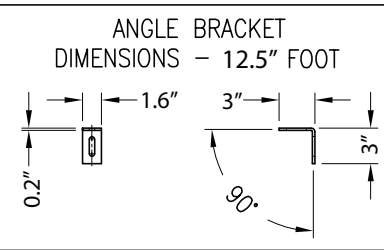
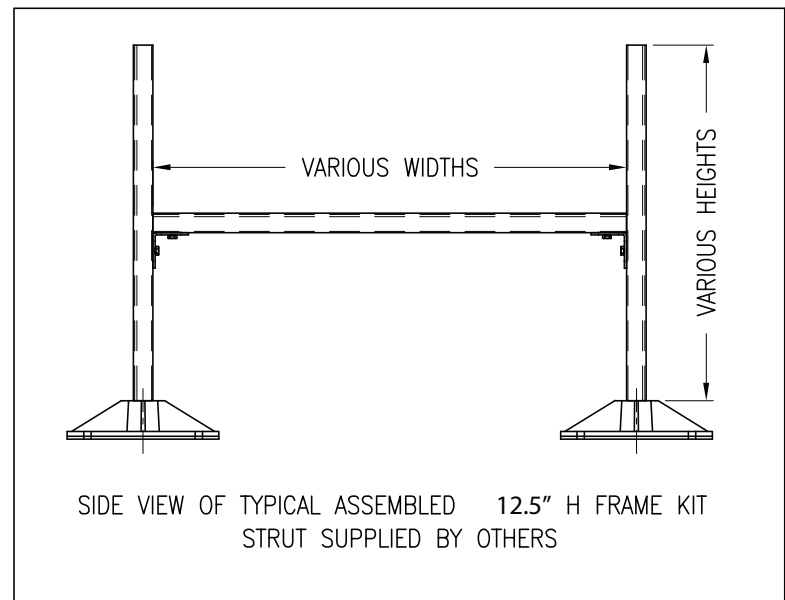


COMPONENT MATERIAL SPECIFICATION

DESCRIPTION	MATERIAL	MATERIAL FINISH
12.5" FOOT	UV STABILISED, 90% POLYPROPYLENE, 10% GRP	BLACK
ADHERED MAT	100% NATURAL RUBBER WITH DRAINAGE SLOTS	BLACK
90° ANGLE BRACKETS	LOW CARBON STEEL ASTM-A36	HOT DIP GALVANISED EN ISO 1461:1999
M10x30mm SETS	LOW CARBON STEEL ASTM-A36	HOT DIP GALVANISED EN ISO 1461:1999
M10 SPRING CHANNEL NUTS	LOW CARBON STEEL ASTM-A36 CASE HARDENED	BRIGHT ZINC PLATE BS EN ISO 2081

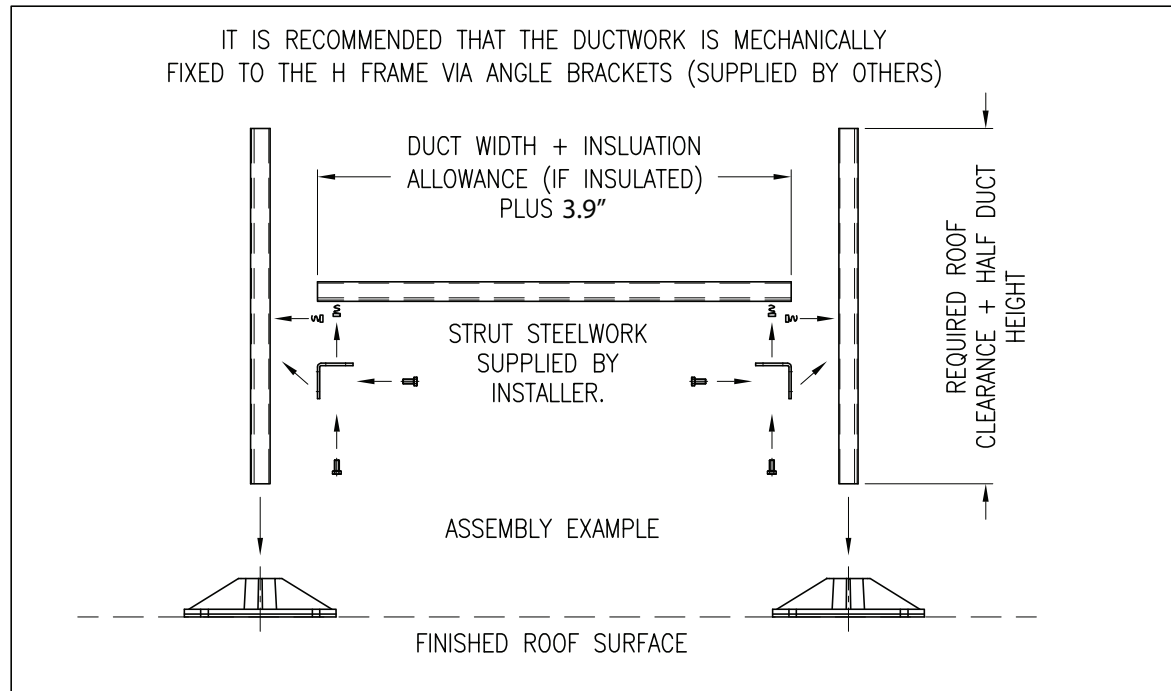


H FRAME INSTALLATION GUIDE — DW/144	
DUCTS	FRAME SUPPORT RECOMMENDATIONS
DUCTS LESS THAN 40" WIDE	FRAMES POSITIONED @ 10" FRAME CENTERS*
DUCTS 40" WIDE OR GREATER	FRAMES POSITIONED @ 8" FRAME CENTERS*
ATTENUATORS (SILENCERS)	USUALLY 2No. FRAMES PER ATTENUATOR*
DUCT CHANGES IN DIRECTION	RECOMMENDED SUPPORT NEAR CORNER*
ROOF WITH GRADIENTS EXCEEDING 1:40	DUCT SUPPORTS MAY REQUIRE BRACING IN PAIRS
ROOF WITH GRADIENTS EXCEEDING 1:40	DUCT SUPPORTS MAY REQUIRE BRACING TO STRUCTURE

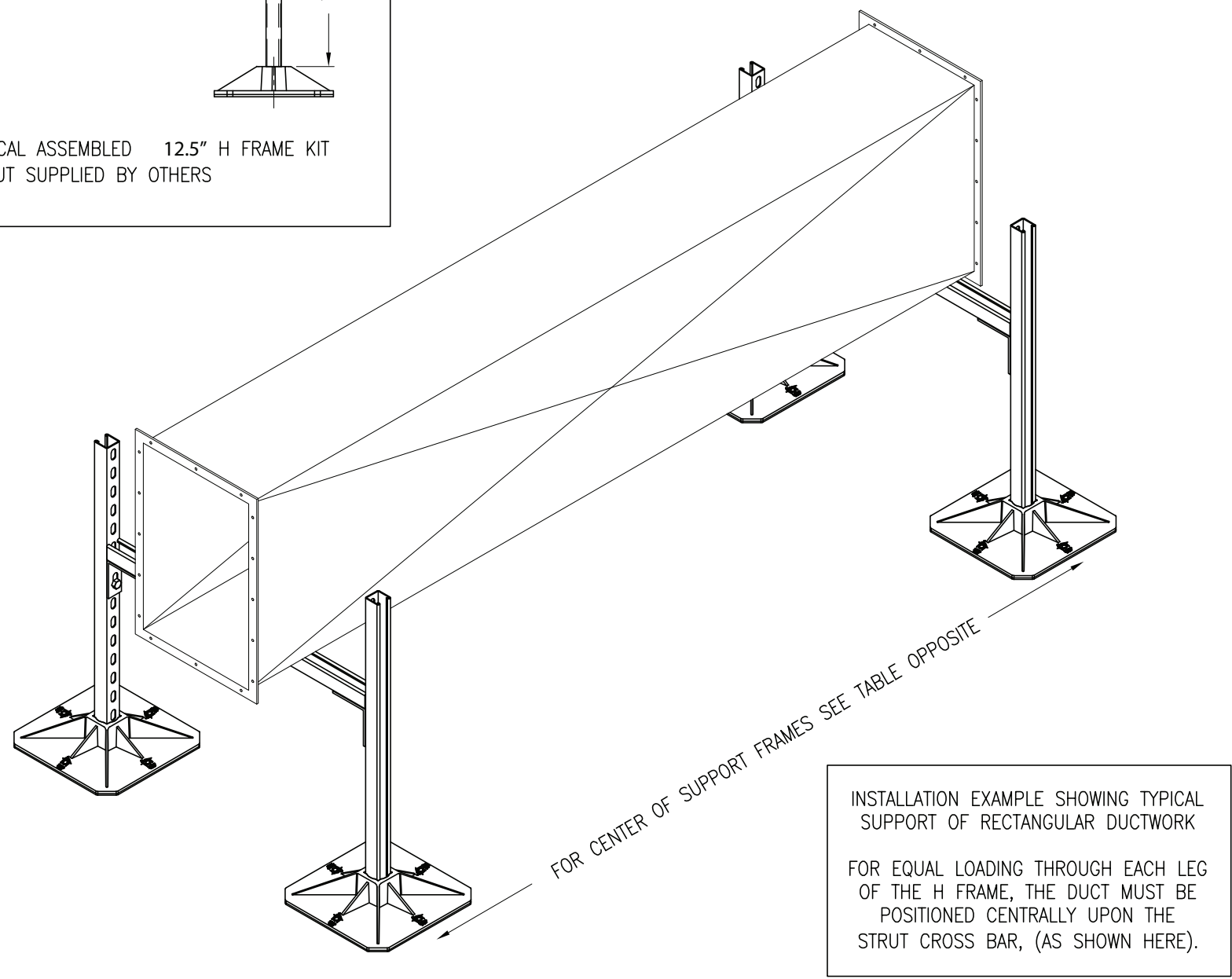


12.5" H FRAME KIT PACK CONTENTS		
PRODUCT PARTCODE: F-HF-320		
QTY.	DESCRIPTION	PARTCODE
2	12.5" FEET	
2	90° ANGLE BRACKETS	
4	M10x30mm SET	
4	M10 SPRING CHANNEL NUTS	
1	SPECIFICATION SHEET	

19.7" H FRAME KIT PACK CONTENTS		
PRODUCT PARTCODE: F-HF-500		
QTY.	DESCRIPTION	PARTCODE
2	19.7" FEET	
2	90° ANGLE BRACKETS	
4	M10x30mm SET	
4	M10 SPRING CHANNEL NUTS	
1	SPECIFICATION SHEET	



\*THE ABOVE INFORMATION IS PROVIDED FOR GUIDANCE PURPOSES ONLY. IT IS ULTIMATELY THE INSTALLERS RESPONSIBILITY TO ENSURE SERVICES ARE SUPPORTED CORRECTLY IN ACCORDANCE TO THE DUCTWORKERS' MANUAL DW/144. CROSS BAR MATERIAL SELECTION DEPENDANT ON IMPOSED LOADING.



INSTALLATION EXAMPLE SHOWING TYPICAL SUPPORT OF RECTANGULAR DUCTWORK  
FOR EQUAL LOADING THROUGH EACH LEG OF THE H FRAME, THE DUCT MUST BE POSITIONED CENTRALLY UPON THE STRUT CROSS BAR, (AS SHOWN HERE).



DiversiTech Corporation  
6650 Sugarloaf Parkway  
Duluth, GA 30097  
800.995.2222  
www.diversitech.com

This drawing is the property of DiversiTech. No part of this drawing may be divulged or used without permission.  
UNLESS OTHERWISE SPECIFIED  
Dimensions are in IN.  
DO NOT SCALE DRAWING

PRODUCT NAME: TECHNICAL SPECIFICATION SHEET FOR H FRAME KITS		DRAWING No: F-HF-TSS	ISSUE STATUS: A
NOTES: THE INFORMATION PRESENT IS GIVEN WITHOUT WARRANTY OR GUARANTEE			
DRAWN BY: D.L.JAMES	FINISH: SEE ABOVE	QUOTE REF: N/A	COPYRIGHT 2014
DATE DRAWN: 24-03-16	MATERIAL: SEE ABOVE	SCALE @ A3: NTS	