

KALLISTA®

Pure Paletta® by Laura Kirar Volume Control Trim, Lever Handle P24926-LV

Features

- High-quality solid-brass construction for durability and reliability
- Required rough-in sold separately
- Offers a customizable shower experience

Required Products/Accessories

P29527-00 1/2" Volume Control Rough-In Assembly

or

P29528-00 3/4" Volume Control Rough-In Assembly

Recommended Products/Accessories

P24925-LV Thermostatic Trim, Lever Handle

P24927-LV Transfer Trim, Lever Handle

P24941-00 Towel Bar, 24"

P21676-00 Air-Induction Transitional Rain Showerhead



ADA

CSA B651

OBC

Codes/Standards

ASME A112.18.1/CSA B125.1

ADA

ICC/ANSI A117.1

CSA B651

OBC

KALLISTA® Five-Year Limited Warranty

See website for detailed warranty
information.

Available Colors/Finishes

Color tiles intended for reference only.

Color	Code	Description
	CP	Polished Chrome
	BAF	Brushed French Gold
	BN	Brushed Nickel
	SN	Polished Nickel

1-888-4-KALLISTA (1-888-452-5547)

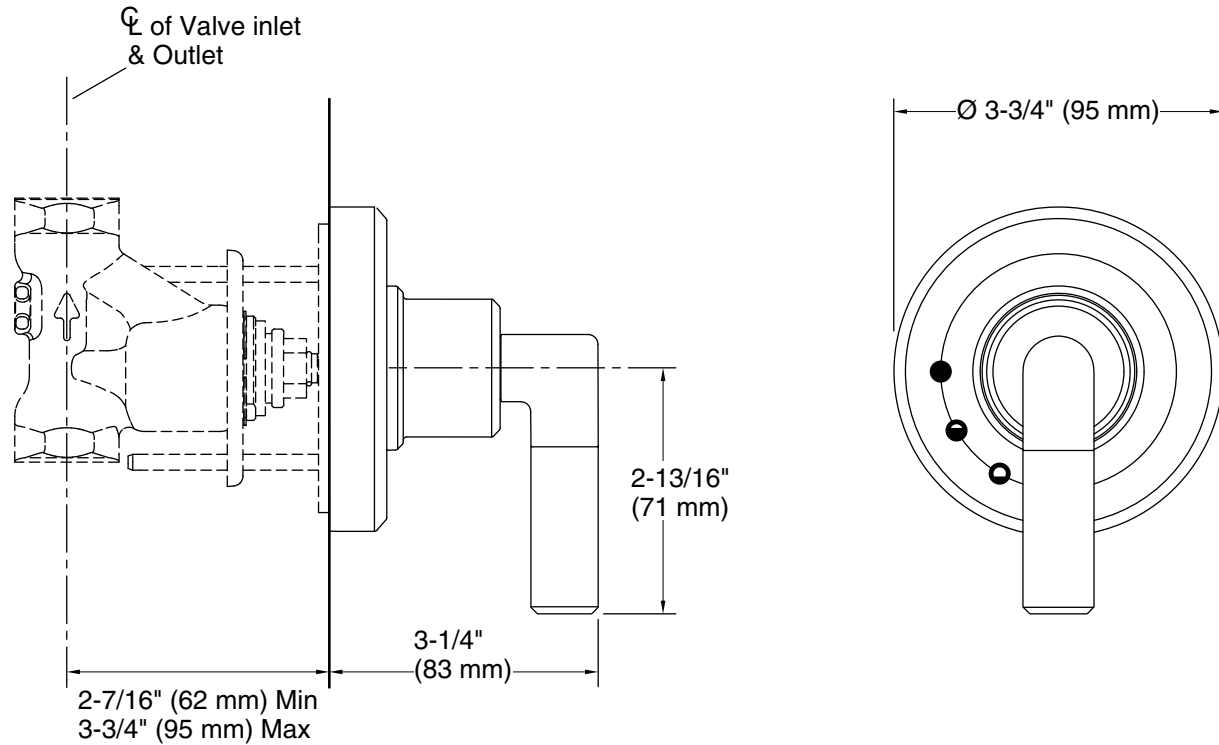
Kallista reserves the right to make revisions without notice to product specifications.

For the most current Specification Sheet, go to www.kallista.com.

8-23-2025 00:08 - US/CA

KALLISTA®

Pure Paletta® by Laura Kirar Volume Control Trim, Lever Handle P24926-LV



Technical Information

All product dimensions are nominal.

Notes

ADA, OBC, CSA B651 compliant when installed to the specific requirements of these regulations.