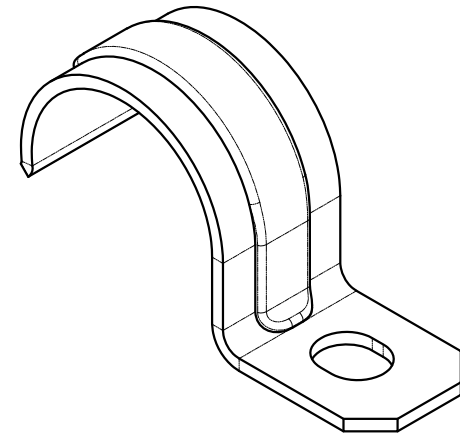
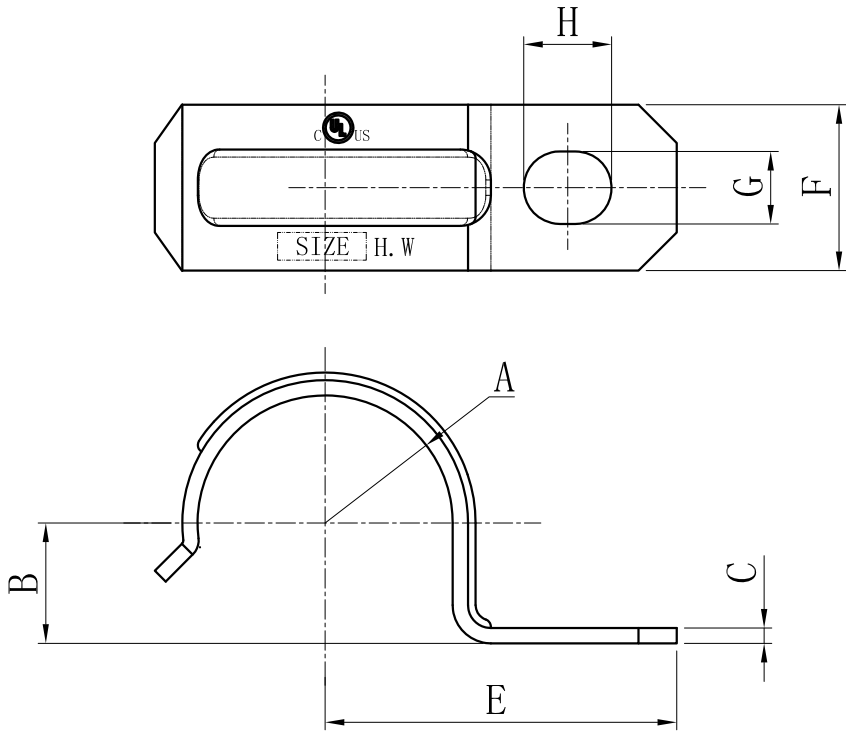


SIDES	BOTTOM	P/N	SIZE	A	B	C	E	F	G	H
		OHSR-50S	1/2"	R10.67[0.420]	9.9[0.39]	1.60[0.063]	32.6[1.29]	15.5[0.61]	6.35[0.25]	7.8[0.31]
		OHSR-75S	3/4"	R13.34[0.525]	12.7[0.50]	1.80[0.071]	39.7 [1.56]	18.5[0.73]	6.35[0.25]	7.8[0.31]
		OHSR-100S	1"	R16.64[0.655]	15.7[0.62]	2.00[0.079]	46.0[1.812]	21.7[0.86]	9.5[0.37]	11.5[0.45]
Material: C.R.S, Zinc Plated		OHSR-125S	1 1/4"	R21.08[0.830]	20.3[0.80]	2.20[0.087]	50.8[2.00]	21.5[0.85]	9.5[0.37]	11.5[0.45]
		OHSR-150S	1 1/2"	R24.13[0.950]	23.4[0.92]	2.20[0.087]	63.5[2.50]	25.6[1.00]	11.0[0.43]	13.0[0.51]
		OHSR-200S	2"	R30.10[1.185]	29.2[1.15]	2.5[0.098]	66.8[2.63]	28.0[1.10]	14.0[0.55]	15.8[0.62]



This data sheet is for reference only .GARVIN INDUSTRIES reserves the right to make changes to the design without prior notice.

DESCRIPTION
TRADE REFERENCE TERMS

STANDARD PACKING

GARVIN INDUSTRIES		
TITLE ONE-HOLE STRAPS		
SIZE A4	DWG NO. OHSR-50-200S	REV
DATA SHEET		