









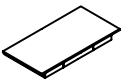
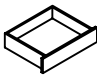


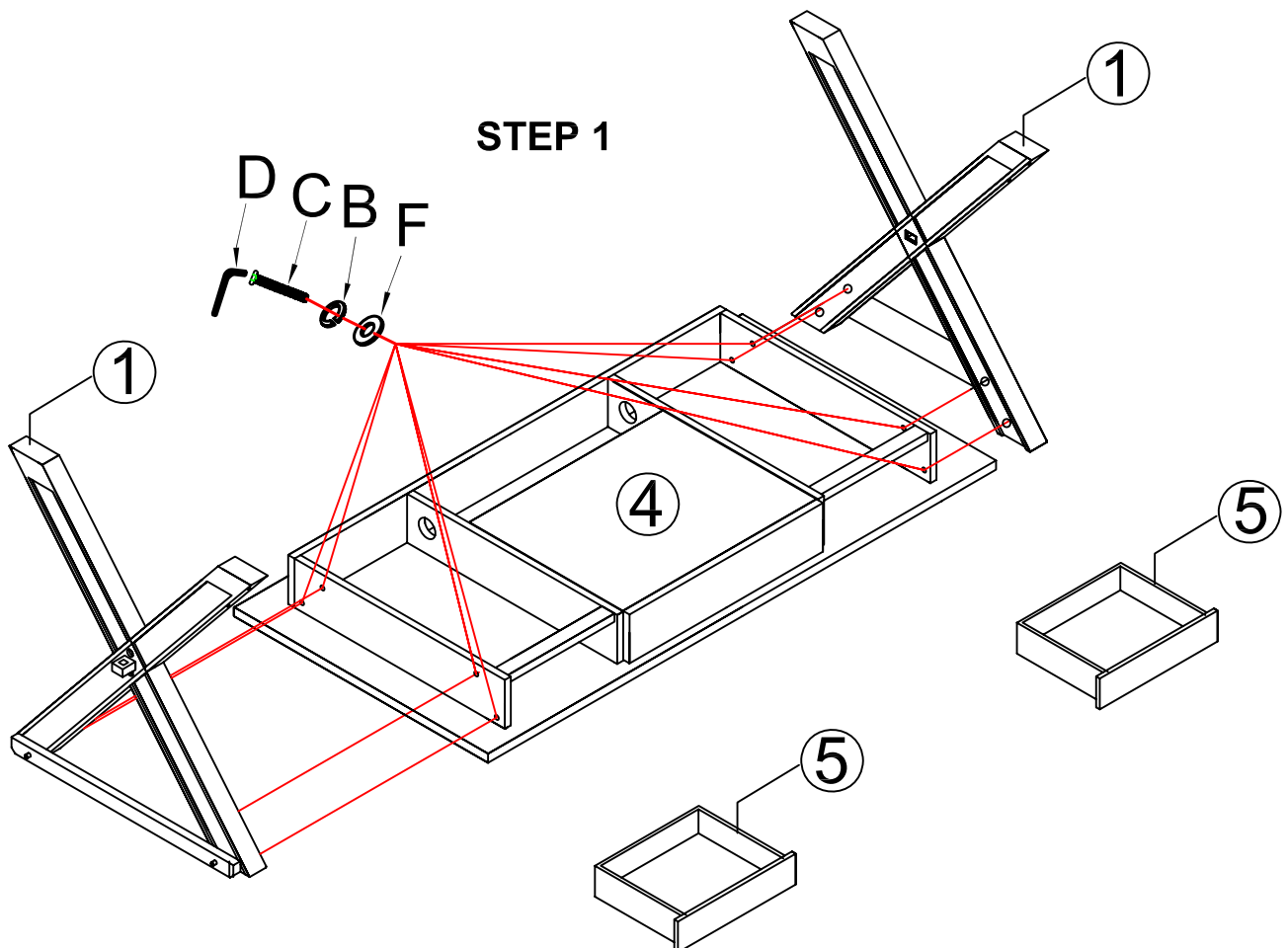
Thank you for purchasing this quality product. Be sure to unpack carefully looking for small parts which may have come loose during shipment.

Read all instruction and study the drawing carefully before starting the assembly process.

HARDWARE PACK				
NO.	DRAWING	DESCRIPTION	SIZE	Q'TY
A		Flat Washer	$\frac{5}{16}$ "x16mm	4 PCS
B		Lock Washer	$\frac{5}{16}$ "	12 PCS
C		Bolt	Ø5/16"x35mm	8 PCS
D		Allen Wrench	73x29x5mm	1 PC
E		Bolt	Ø5/16"x60mm	4 PCS
F		Flat Washer	$\frac{5}{16}$ "x22mm	8 PCS
G		Anti - Tip Kit		1 PC

PART LIST			
NO.	DRAWING	DESCRIPTION	Q'TY
①		Leg Base	2 PCS
②		Wedge	2 PCS
③		Stretcher	1 PC
④		Desk Top With Keyboard Drawer	1 PC
⑤		Side Drawer	2 PCS

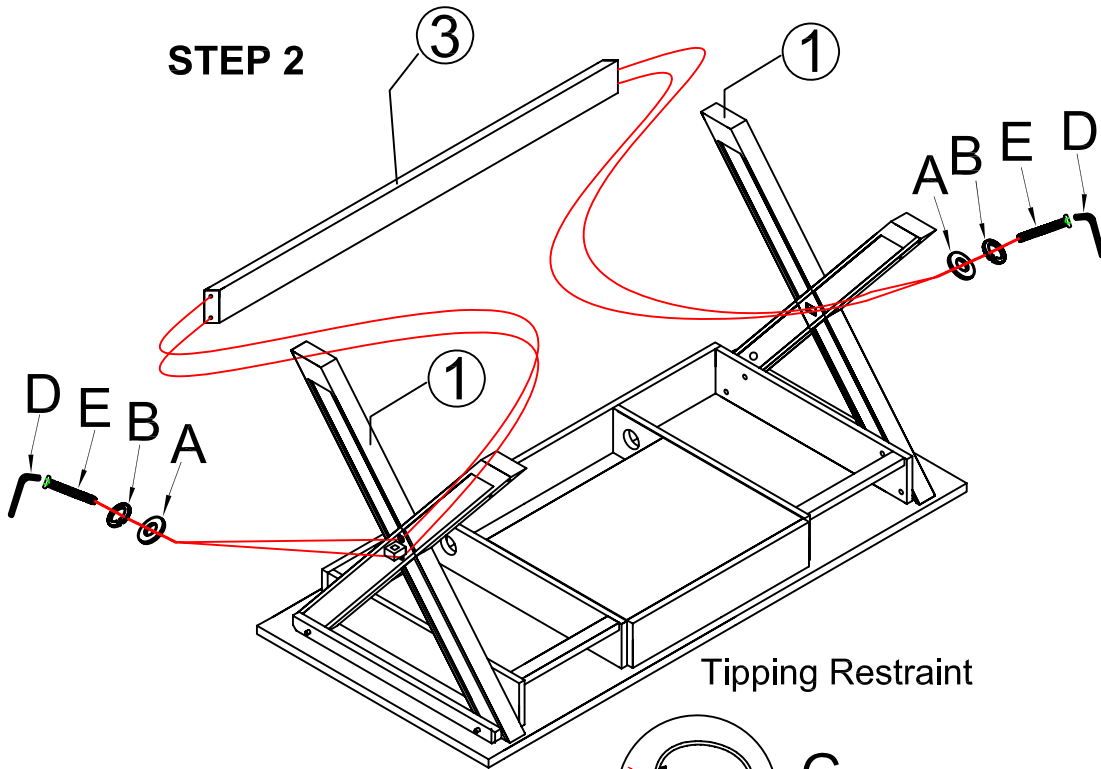
Note: Take out side drawers (5) before assembly and put them back after assembly.



Note: Anti-tip kit restraint is provided.
Please follow the instructions enclosed with the pack.

Thank you for purchasing this quality product. Be sure to unpack carefully looking for small parts which may have come loose during shipment.

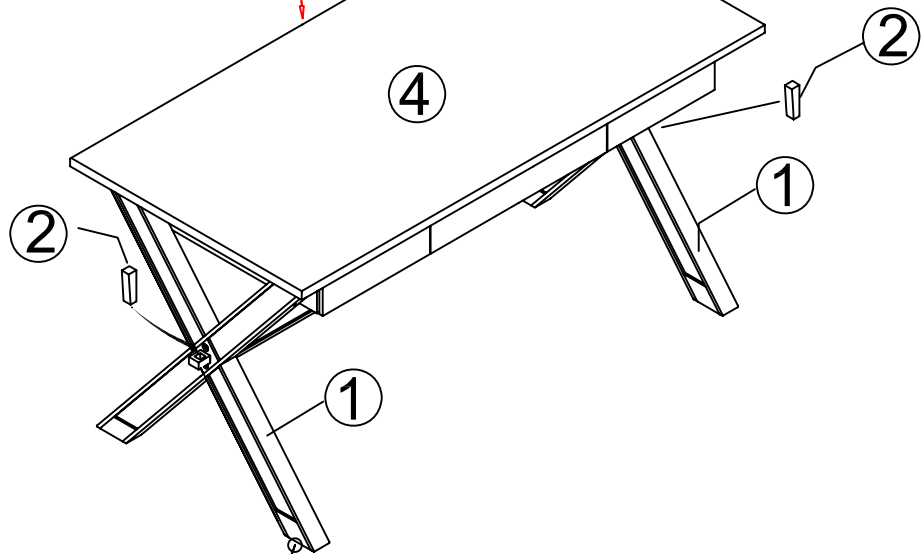
Read all instruction and study the drawing carefully before starting the assembly process.



Anti-tip kit is included for use.
We recommend installing for
safety reason.

STEP 3

Plug-in wedges(2).



STEP 4

Adjust leveler if needed to level
desk on uneven floor.

Note: Anti-tip kit restraint is provided.
Please follow the instructions enclosed with the pack.