

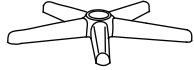
Model E1001

Parts Listing

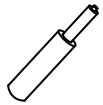
A
Casters
5 Units



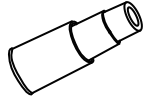
B
Star Base
1 Unit



C
Gas Lift
1 Unit



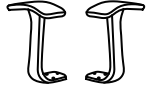
D
Telescopic Bellows
1 Unit



E
Seat Cushion
1 Unit



F
FL/FR Arm Rest
2 Units



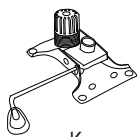
G
Screws (1/4"x1-1/4")
4 Units



H
Screws (1/4"x1-1/8")
2 Units



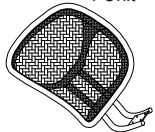
I
Seat Mechanism
1 Unit



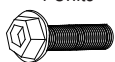
J
Screws (1/4" x 3/4")
4 Units



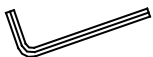
K
Back Cushion
1 Unit



L
Screws (5/16"x1-1/8")
4 Units



M
Allen Key (5mm)
1 Unit



Assembly Instructions

Tools Needed: Phillips Head Screwdriver
Please read all instructions before assembly.

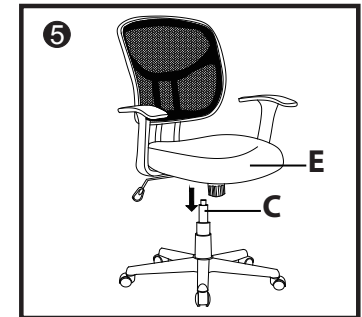
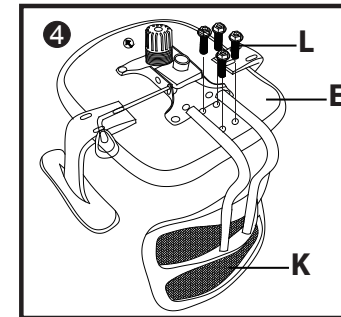
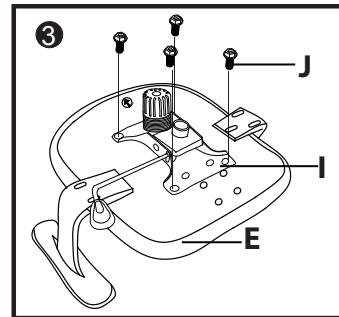
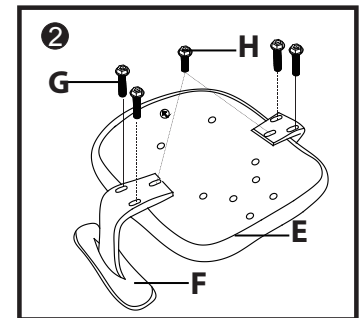
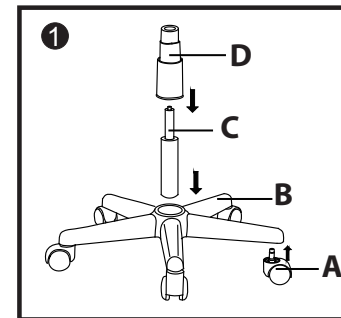
Step 1: Insert Casters (A) into bottom of Star Base (B). Insert Gas Lift (C) into center hole of Star Base (B). Cover Gas Lift (C) with Telescopic Bellows (D).

Step 2: Attach Arm Rests (FL & FR) to Seat Cushion (E) using Screws (G) for front holes and Screws (H) for back holes. Tighten with screwdriver.

Step 3: Attach the Seat Mechanism (I) to the Seat Cushion (E), with arrow on mechanism facing chair front, using Screws (J). Tighten with screwdriver.

Step 4: Attach Back Cushion (K) to Seat Cushion (E) by inserting Screws (L) through steel plate and into bottom of cushion.

Step 5: Attach assembled chair to Star Base (B) by inserting top of Gas Lift (C) into the hole in the center of the Seat Mechanism (J). Press downly firmly on the Seat Cushion (E) to secure.



Assembly Notes:

During assembly, hand tighten screws only. When all screws are in place, you may then tighten all screws completely.

CAUTION:

1. Do not use this chair as a step ladder.
2. Check for loose screws and tighten them every 6 months.

Essentials
By OFM Inc.
Value furniture for your office

161 Tradition Trail Holly Springs, NC, 27540
800-520-7471 (voice) 919-362-4765 (fax)
919-303-6389 (voice) support@ofminc.com