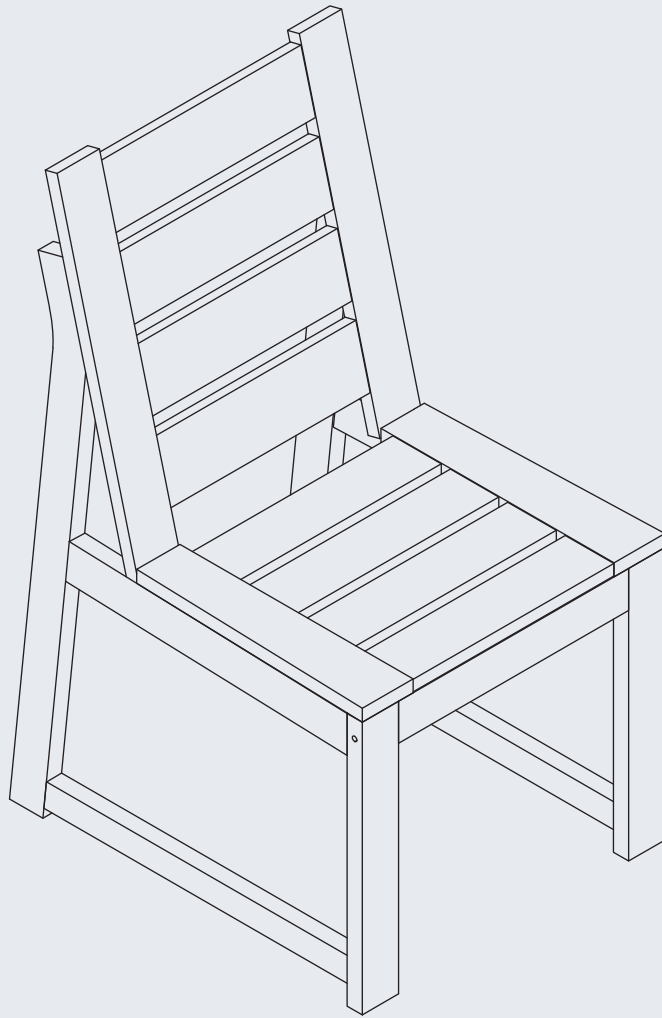


INSTRUCTION MANUAL



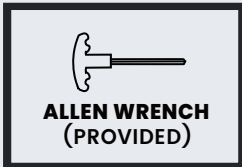
Outdoor Dining Side Chair

NOTICE

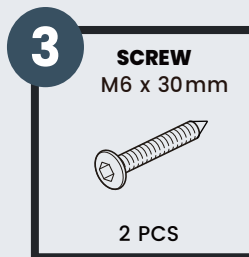
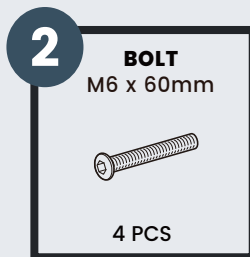
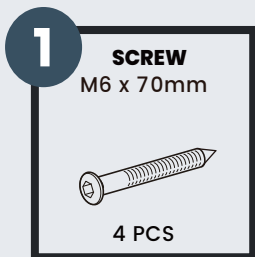
Do not overtighten screws. (Insert all screws before tightening screws.)

- Please do not exceed the weight limitations of this item.
- Do not stand on or use any part of this item as a step ladder.
- Firmly secure all bolts, screws, and nuts before use.
- Reconfirm that all bolts, screws, and nuts are secure every 90 days.
- Do not use or store this item in the proximity of open flame or flammable/combustible chemicals.
- Be aware that some parts are heavy and have sharp edges.
- When using an electric drill, please adjust its speed slowly to avoid screw slippage.

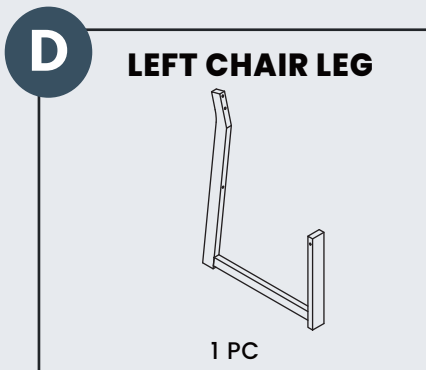
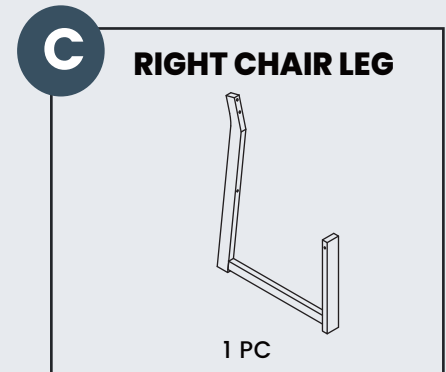
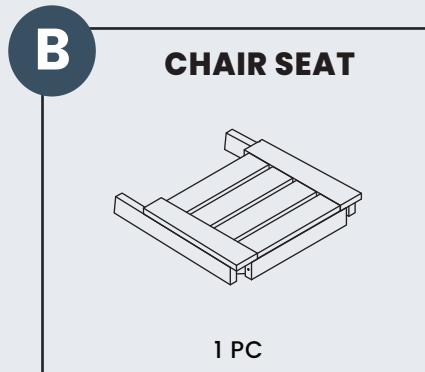
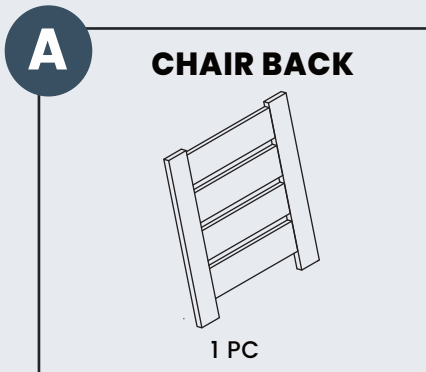
TOOLS REQUIRED



HARDWARE

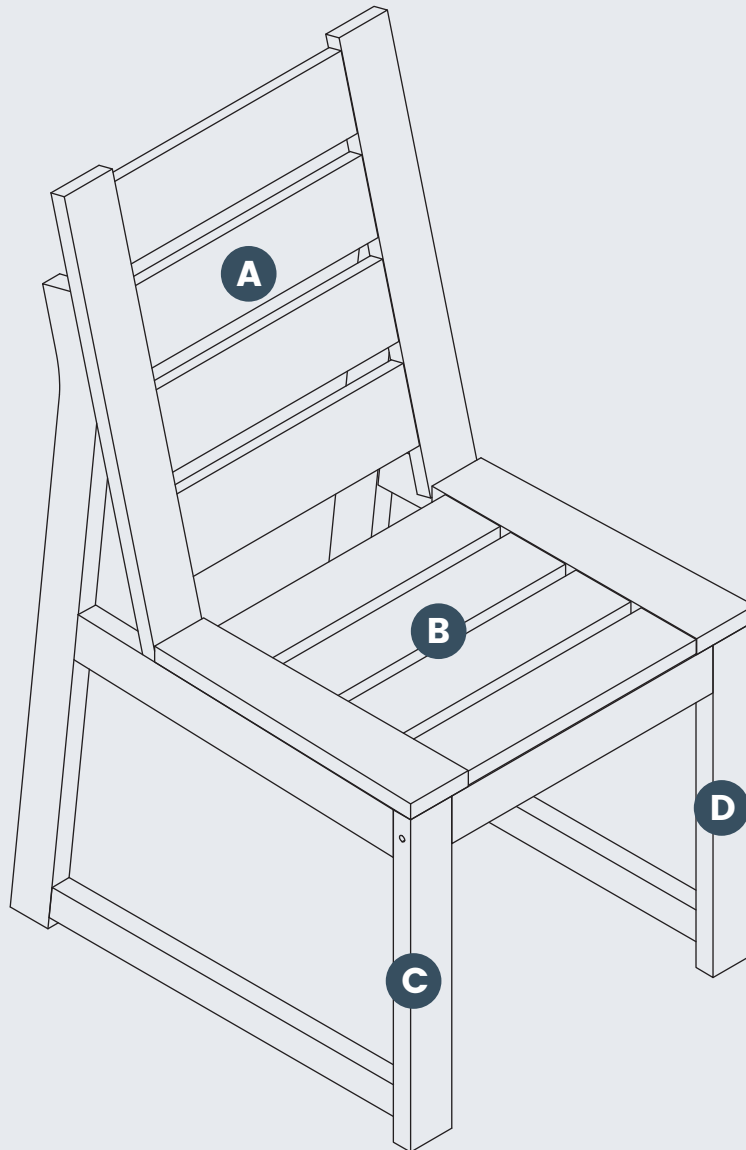


PARTS



PRODUCT ASSEMBLY – OVERALL VIEW

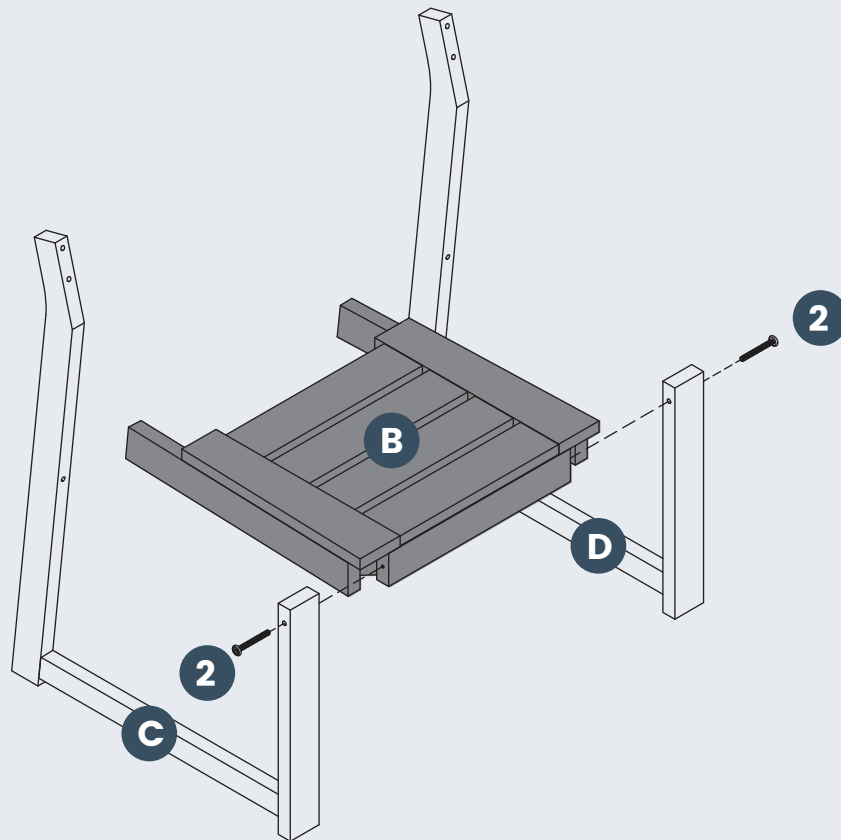
Look at the overall view of this chair and learn the exact position of each part to be assembled.



PRODUCT ASSEMBLY

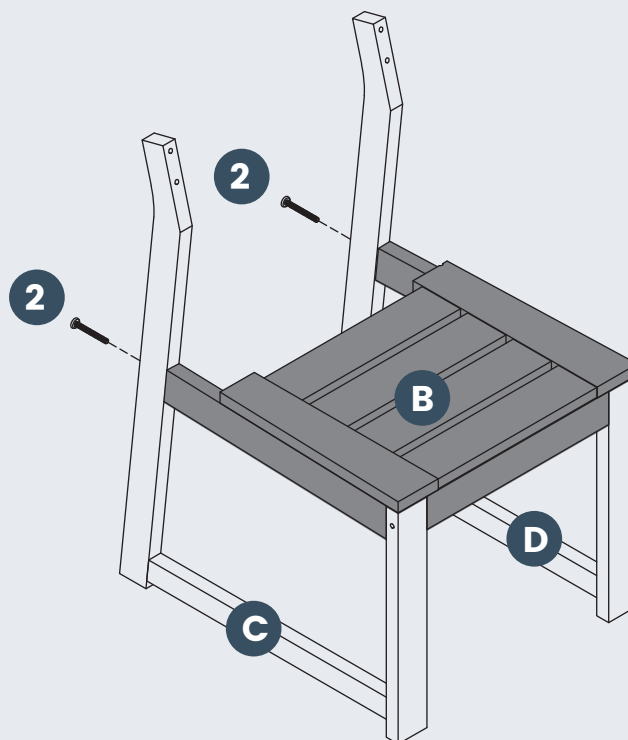
1

Attach **Part C Right Chair Leg** and **Part D Left Chair Leg** to **Part B Chair Seat** with 2 pcs of **Hardware #2 Bolt**.



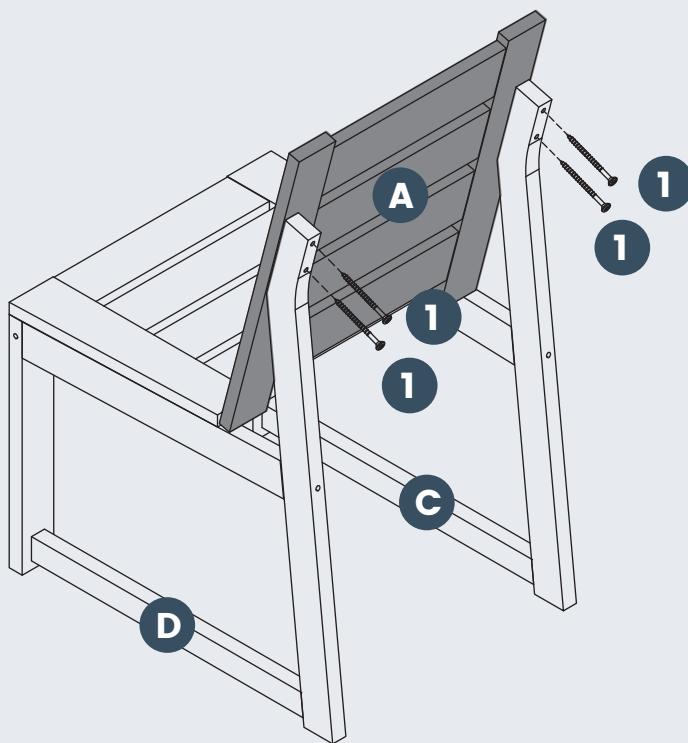
2

Attach **Part C Right Chair Leg** and **Part D Left Chair Leg** to **Part B Chair Seat** with 2 pcs of **Hardware #2 Bolt**.

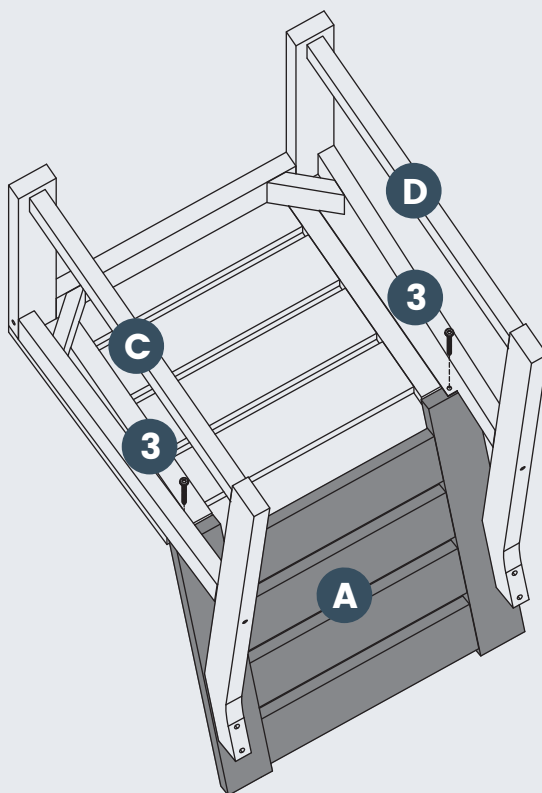


PRODUCT ASSEMBLY

- 3** Attach **Part C Right Chair Leg** and **Part D Left Chair Leg** to **Part A Chair Back** with 4 pcs of **Hardware #1 Screw**.



- 4** Attach **Part C Right Chair Leg** and **Part D Left Chair Leg** to **Part B Chair Seat** with 2 pcs of **Hardware #3 Screw**.



CLEANING TIPS

REGULAR CLEAN: Use a mixture of warm water and mild soap. Gently scrub the surface with a soft bristle brush to remove any dirt or stains.

QUICK CLEAN: You can simply wipe down the furniture with a damp cloth.

Regular cleaning not only preserves the aesthetic appeal of your furniture, but also helps extend its lifespan.