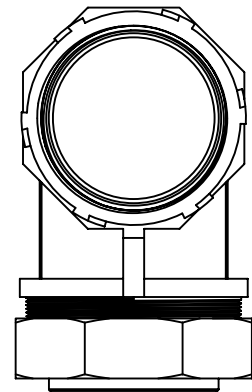
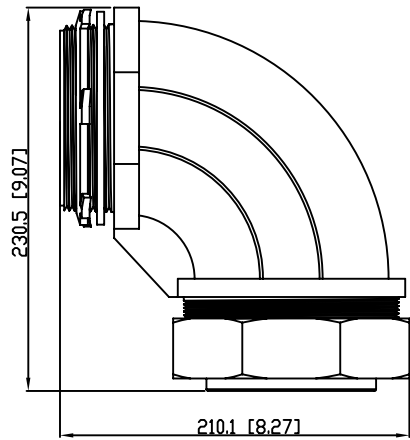
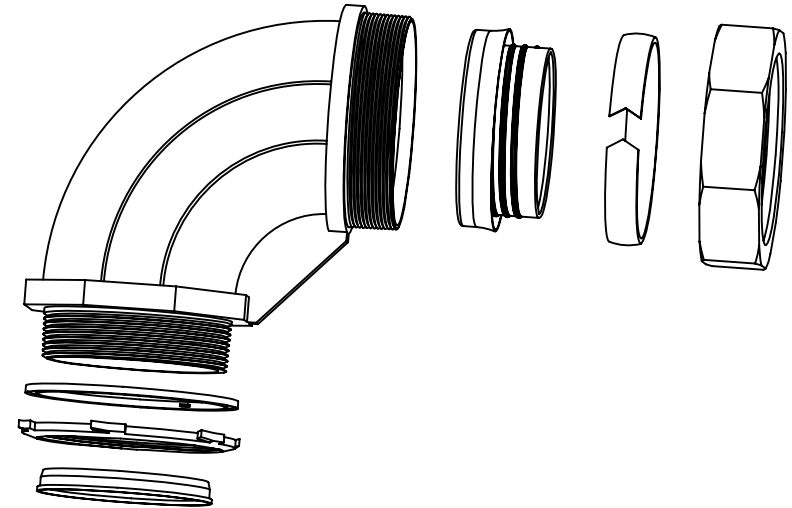
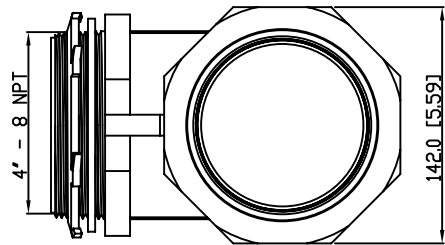


SIDES	BOTTOM
Material:Steel-(C1008-C1018) Galvanized	



This data sheet is for reference only .GARVIN INDUSTRIES reserv the right to make changes to the design without prior notice.

DESCRIPTION
TRADE REFERENCE TERMS

STANDARD PACKING
1 PCS

TITLE			REV		
90° Liquid Tight Conn, 4"			A		
SIZE	DWG NO.				
A4	DS-LTC-40090				

GARVIN INDUSTRIES