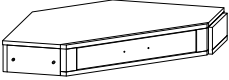

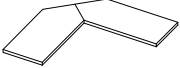
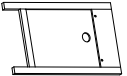





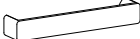


Assembly Instructions, #91430/92430 Metal And Wood Computer Desk

Parts List

Item	Parts	Description	Quantity
A		Top Assembly	1
B		Leg Frames	2
C		Shelf	1
D		Back Frame	1

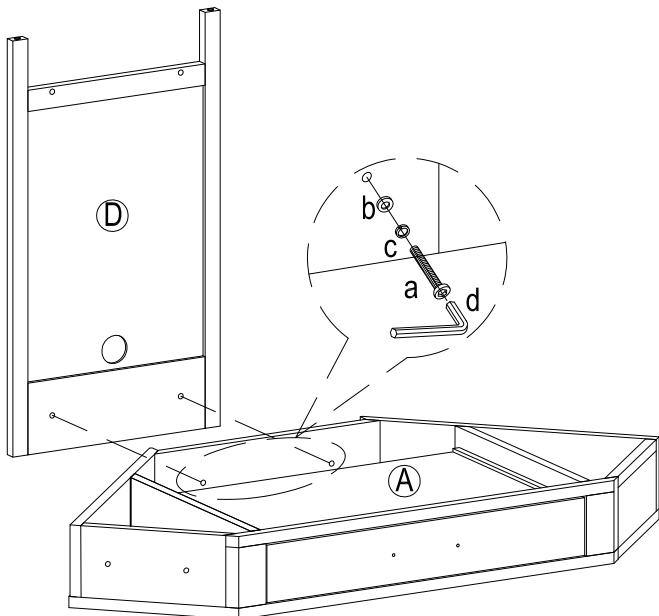
Hardware List

Item	Hardware	Description	Quantity
a		Bolts	12
b		Flat Washers	12
c		Lock Washers	12
d		Allen Wrench	1
e		Machine screws	2
f		Drawer Pull	1

Assembly Steps

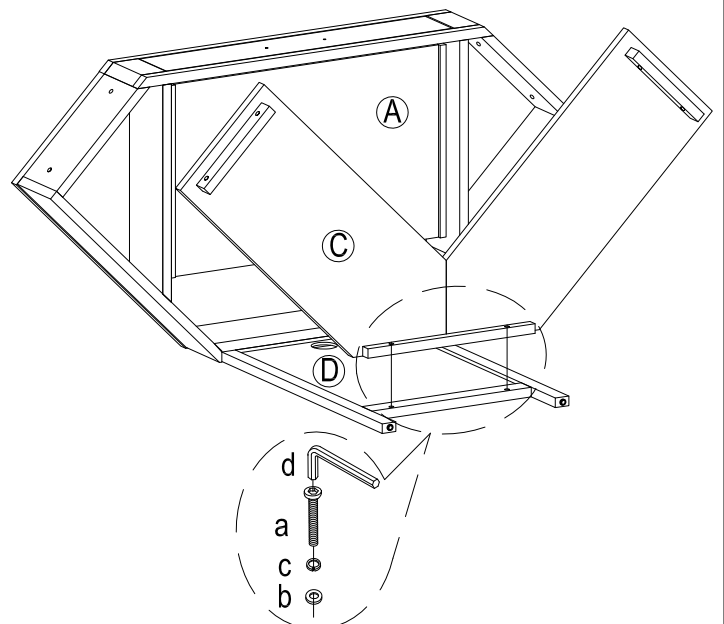
Step 1

- 1.1 Lay the Top Assembly (A) upside-down on a soft surface.
- 1.2 Fit Back Frame (D) into the Top Assembly's (A) back, fasten with 2 bolts. Tighten.



Step 2

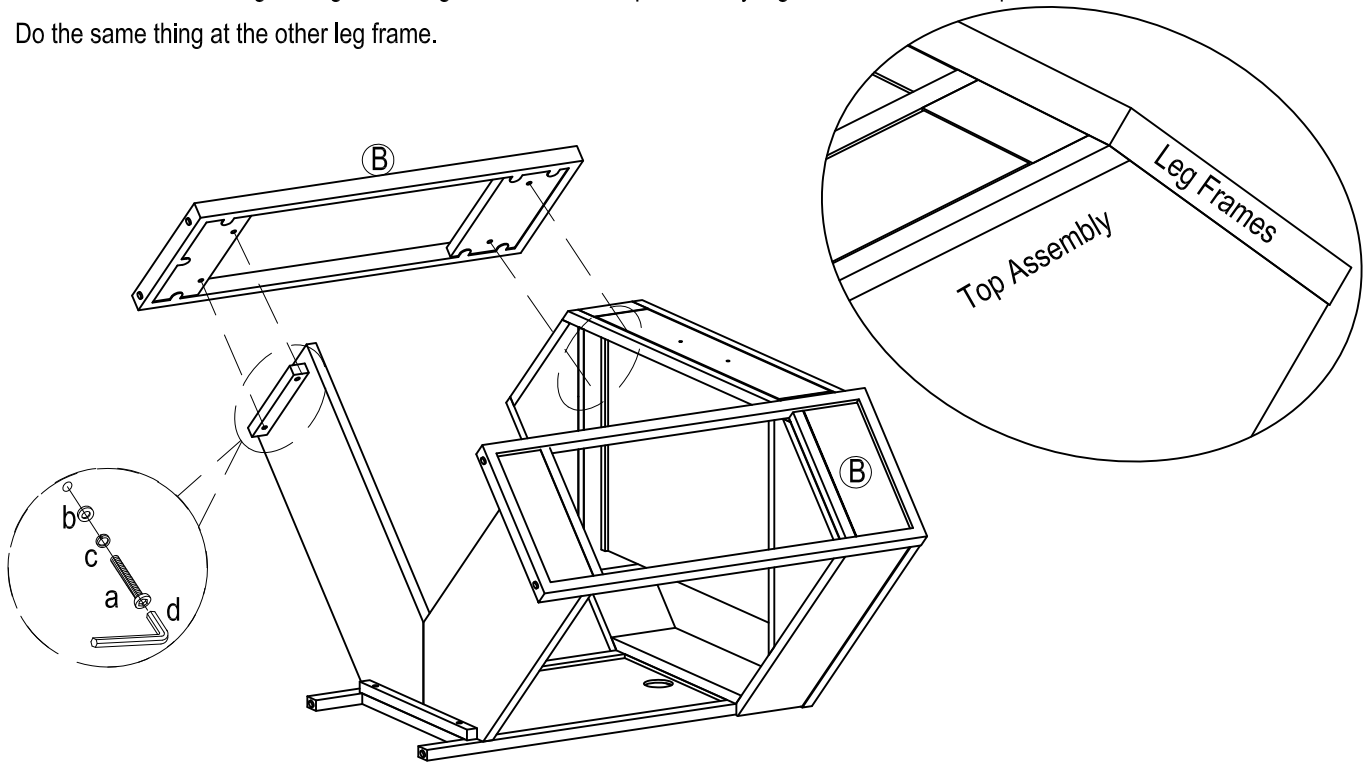
- Lay the assembly part on its back, fasten the shelf (C) with 2 bolts onto back panel.



Assembly Steps

Step 3

- 3.1 Fasten the leg frame (B) with two bolts to the top assembly, and another two bolts onto the shelf's cleat.
- 3.2 Check to ensure the edge of leg frame aligns well with the top assembly, tighten four bolts in step 3.1.
- 3.3 Do the same thing at the other leg frame.



Step 4

- 4.1 Position the assembled piece upright, install the drawer pull (f) on drawer front.
- 4.2 Adjust levelers on the bottom of leg frames if needed.

