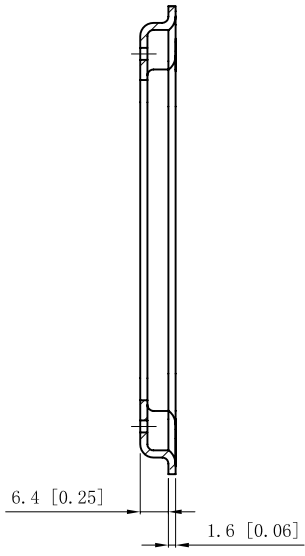
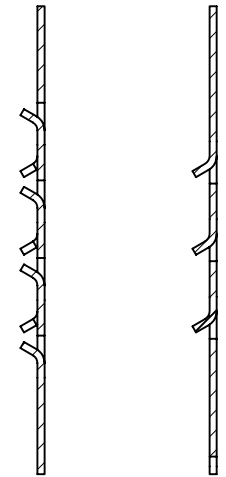
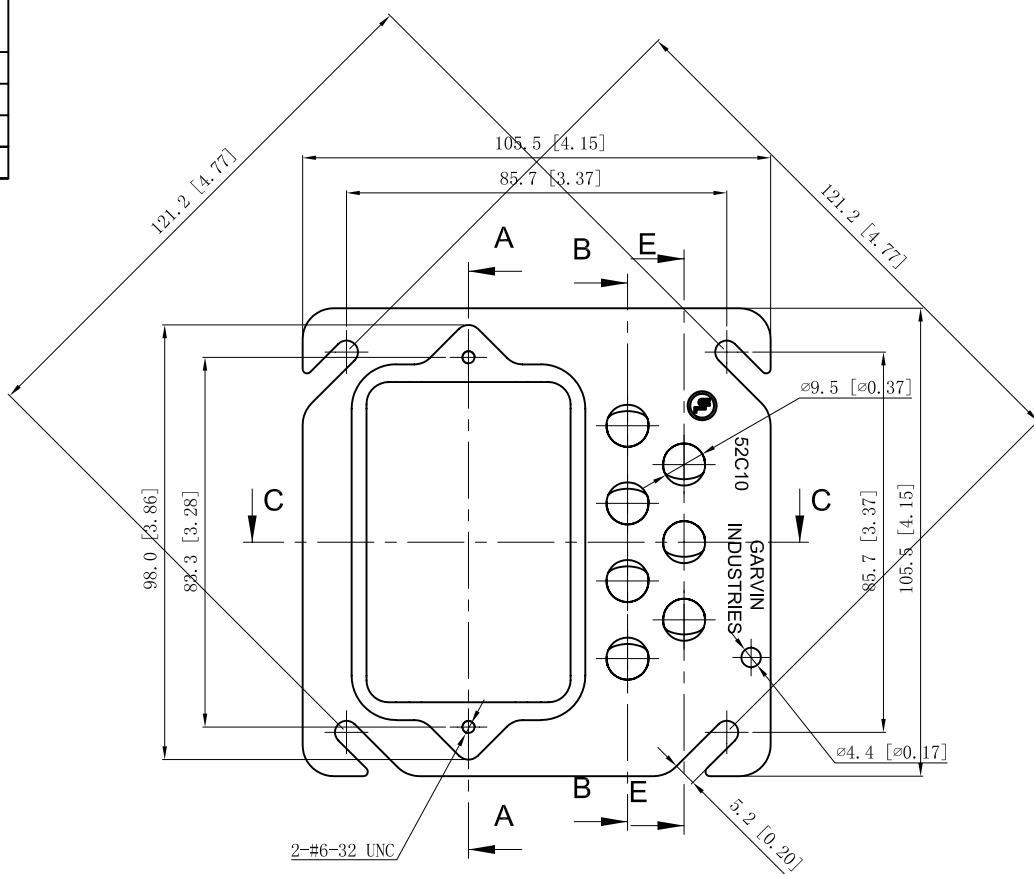


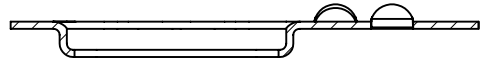
SIDES	BOTTOM
Material: Steel-0.0625"-G60 Galvanized	



VIEW A-A



VIEW B-B VIEW E-E



VIEW C-C

DESCRIPTION
TRADE REFERENCE TERMS

This data sheet is for reference only .GARVIN INDUSTRIES reserves the right to make changes to the design without prior notice.

STANDARD PACKING	<h1 style="text-align: center;">GARVIN INDUSTRIES</h1>		
25 PCS			
	SIZE	DWG NO.	REV
	A4	52C10	B
	DATA SHEET		