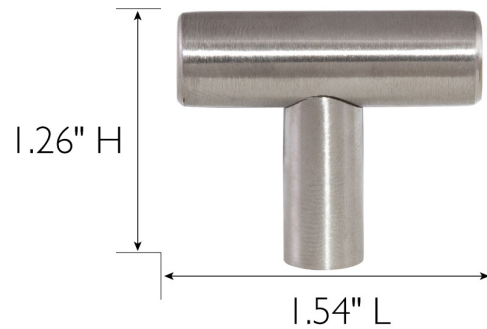
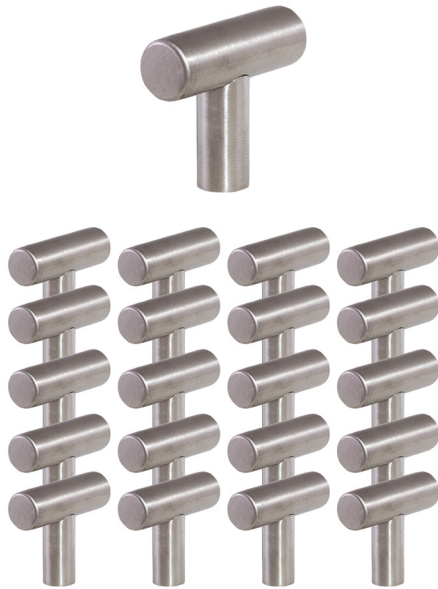


T-Pull Cabinet Knob, 20-Pack
Stainless Steel



SPECIFICATIONS

MATERIAL CONSTRUCTION:	Steel
MOUNTING HARDWARE INCLUDED:	Yes
TOOLS NEEDED FOR INSTALLATION:	Screwdriver
ASSEMBLED DIMENSIONS:	1.54" L x 1.26" H
ASSEMBLED WEIGHT:	0.83 lbs.
LEVER/PULL LENGTH:	n/a
CENTER TO CENTER:	n/a
PROJECTION:	1.26"

WARRANTY:	1-Year limited warranty
LEGAL FOR SALE IN CALIFORNIA:	Yes



TYPE:
JOB:
ORDER CODE:
APPROVALS: