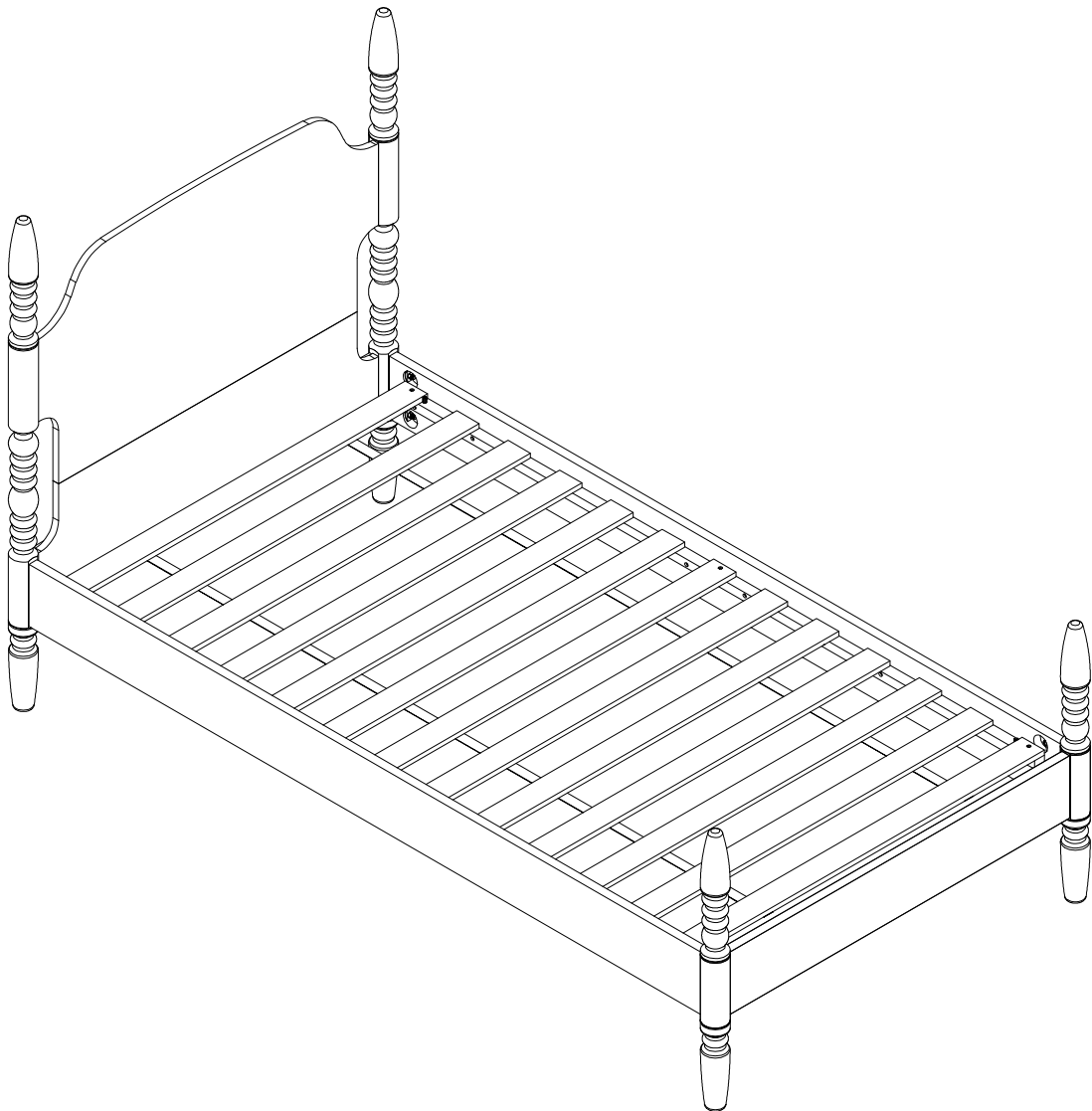


# WALKER EDISON™

## Vivienne Twin Spindle Bed Frame with Headboard

SKU# WEVIV03TB2



**For Residential Use Only**

Please visit our website for the most current instructions, assembly tips, report damage, or request parts. [www.walker-edison.com](http://www.walker-edison.com)

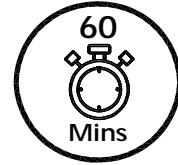


# Time to get started

Set up a clean and soft workplace to get started and avoid damage during the assembly. It also helps to double-check that you've got all the pieces and parts before diving in to assembly.

---

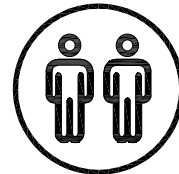
## Estimated time for assembly



---

## People recommended for assembly

Make it a team effort! Grab a friend for quicker, easier assembly.

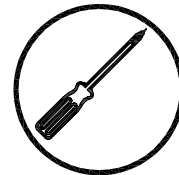


2 People Build

---

## Tools Needed

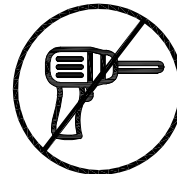
Grab a Phillips head screwdriver to conquer this assembly



---

## Use power tools with caution

You can cause cracking or damage to the material and easily strip the hardware. If you choose to use a power tool, your product will no longer be covered under Walker Edison's warranty.



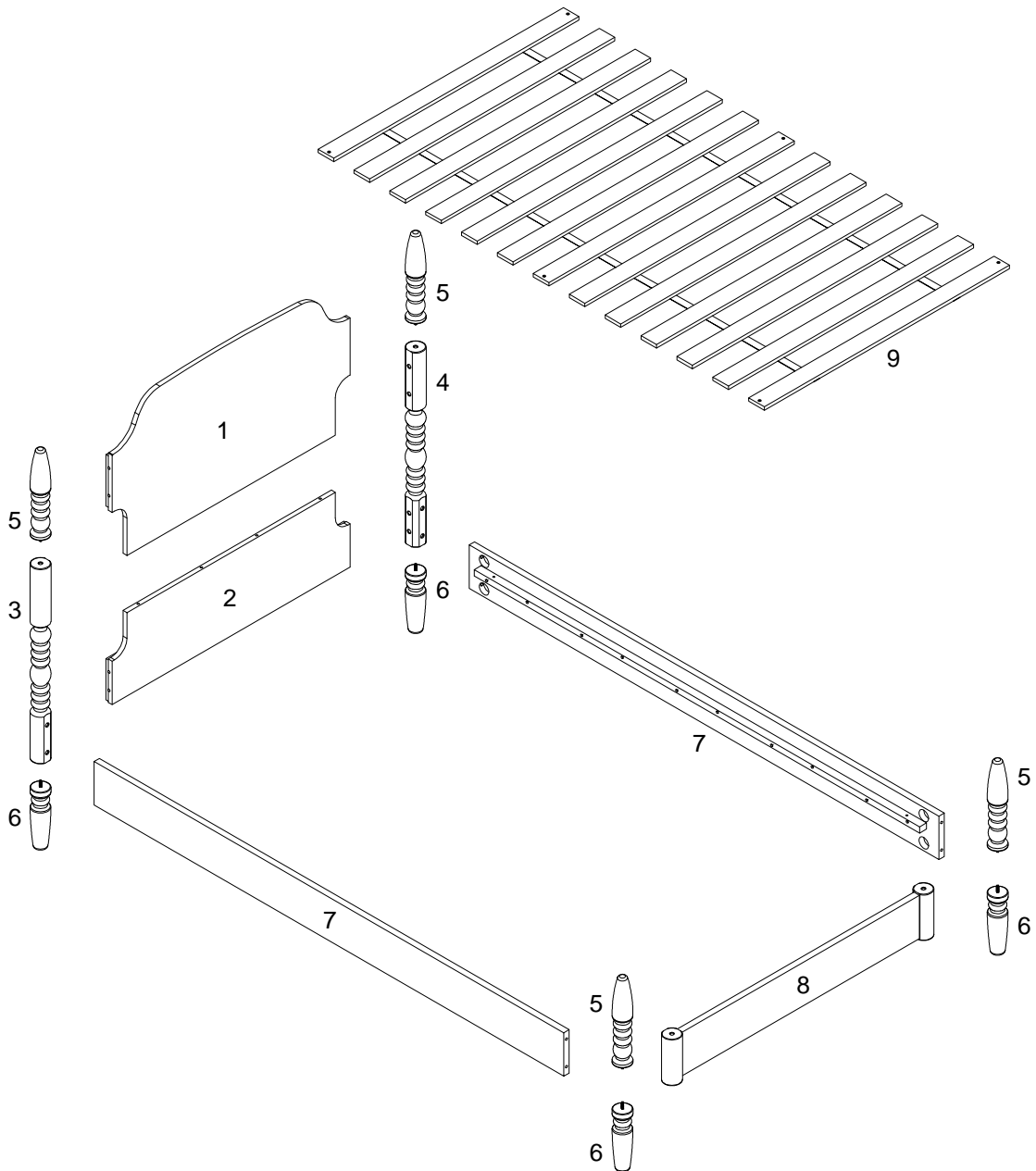
Vivienne

**Scan to get assembly tips and help!**









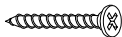
# Parts List

Part Number	Description	Quantity
1	Headboard	1
2	Headboard Support Rail	1
3	Left Headboard Post	1
4	Right Headboard Post	1
5	Post Top	4
6	Legs	4
7	Side Rails	2
8	Bottom Rail	1
9	Bed Slats	1





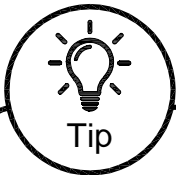
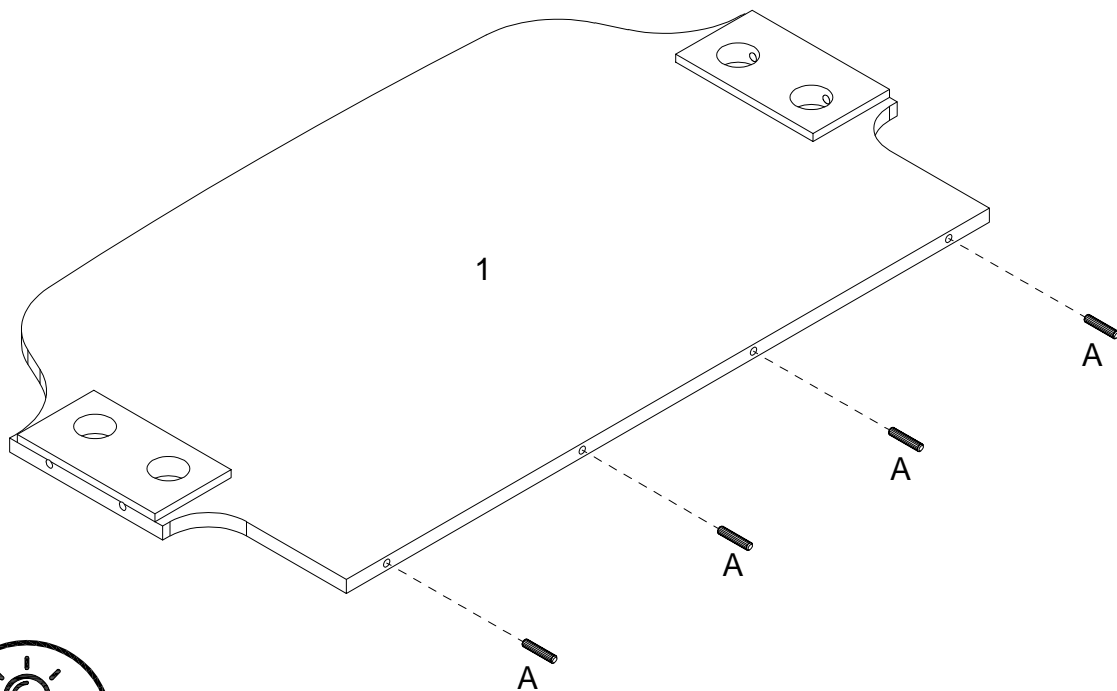
# Hardware List

Part	Size	Name	Quantity
A	 8x40mm	Wooden dowel	4
B	 8x30mm	Wooden dowel	4
C	 5/16"x83mm	Bolt	16
D	 5/16"	Half - moon washer	16
E	 5/16"	Nut	16
F	 12x90mm	Wrench	1
G	 4x25mm	Screw	6

*The hardware quantities listed above are required for proper assembly.  
Extra hardware pieces may be included.*

# Step 1

Let's get started! Lay the Headboard (1) on its front and insert wood dowels (A) into the holes on the bottom.

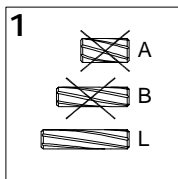


## Wood Dowels

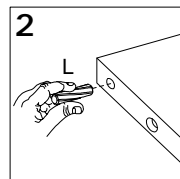
Dowels are essential in furniture assembly for creating strong, precise connections.

They ensure structural integrity, prevent shifting, and simplify alignment, resulting in sturdier, longer-lasting furniture.

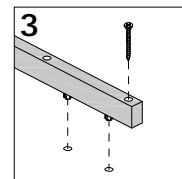
Follow these steps:



1: Select appropriate size dowel compared to size of drill hole and alignment in instructions. If unsure of placement place dowel next to drill hole to compare size and ensure correct placement.



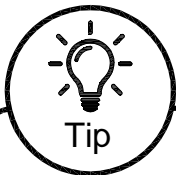
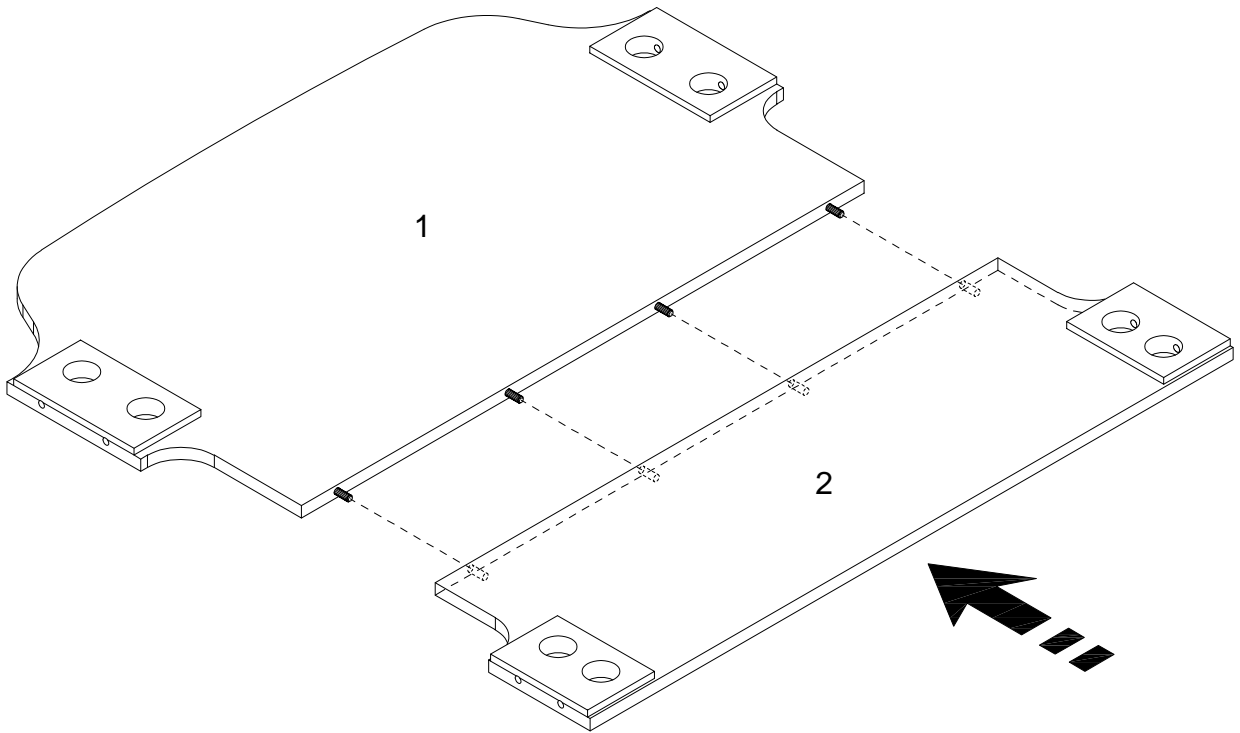
2: Insert into drill hole and press firmly to ensure placement is set.



3: Align the dowel with corresponding piece and press together until secure.

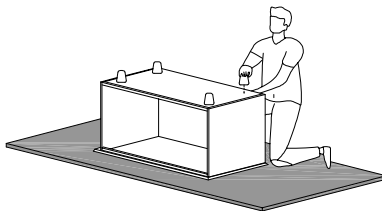
# Step 2

Next, attach the Headboard Support Rail (2) to the Headboard (1) by the dowels.



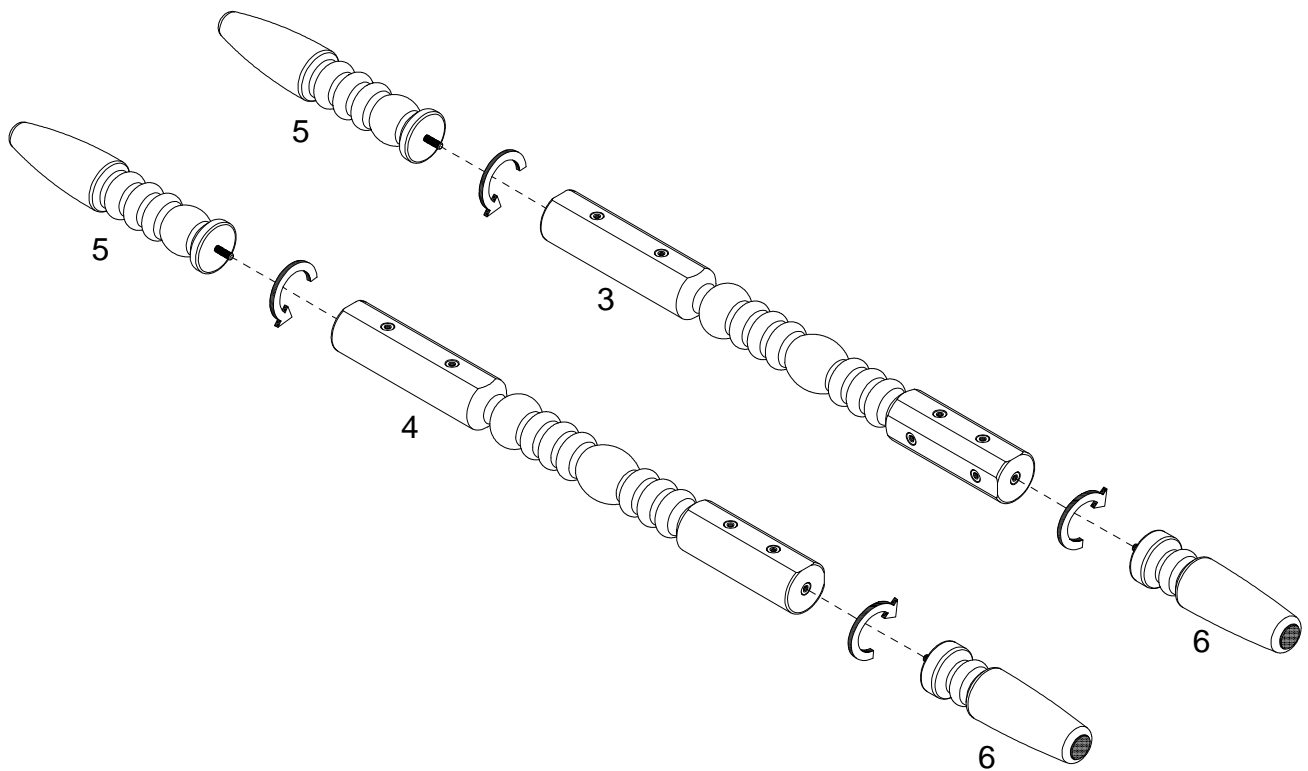
Tip

To keep your product looking its best and scratch-free, try assembling it on a soft surface like carpet or a blanket. This helps prevent any accidental scratches and keeps your furniture in top shape!



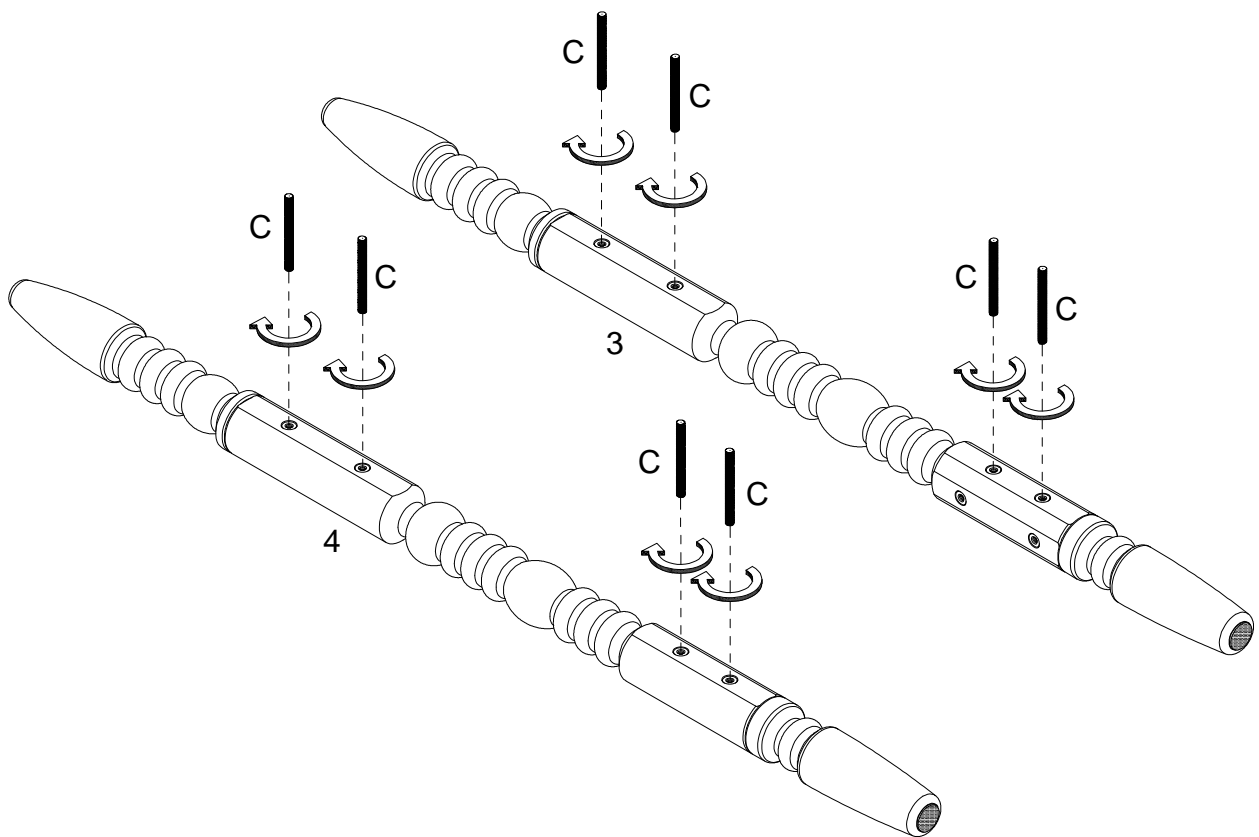
# Step 3

Twist the Legs (6) and Post Tops (5) into the Left and Right Headboard Posts (3 & 4) making sure the tops are on the end with the longer solid piece.



# Step 4

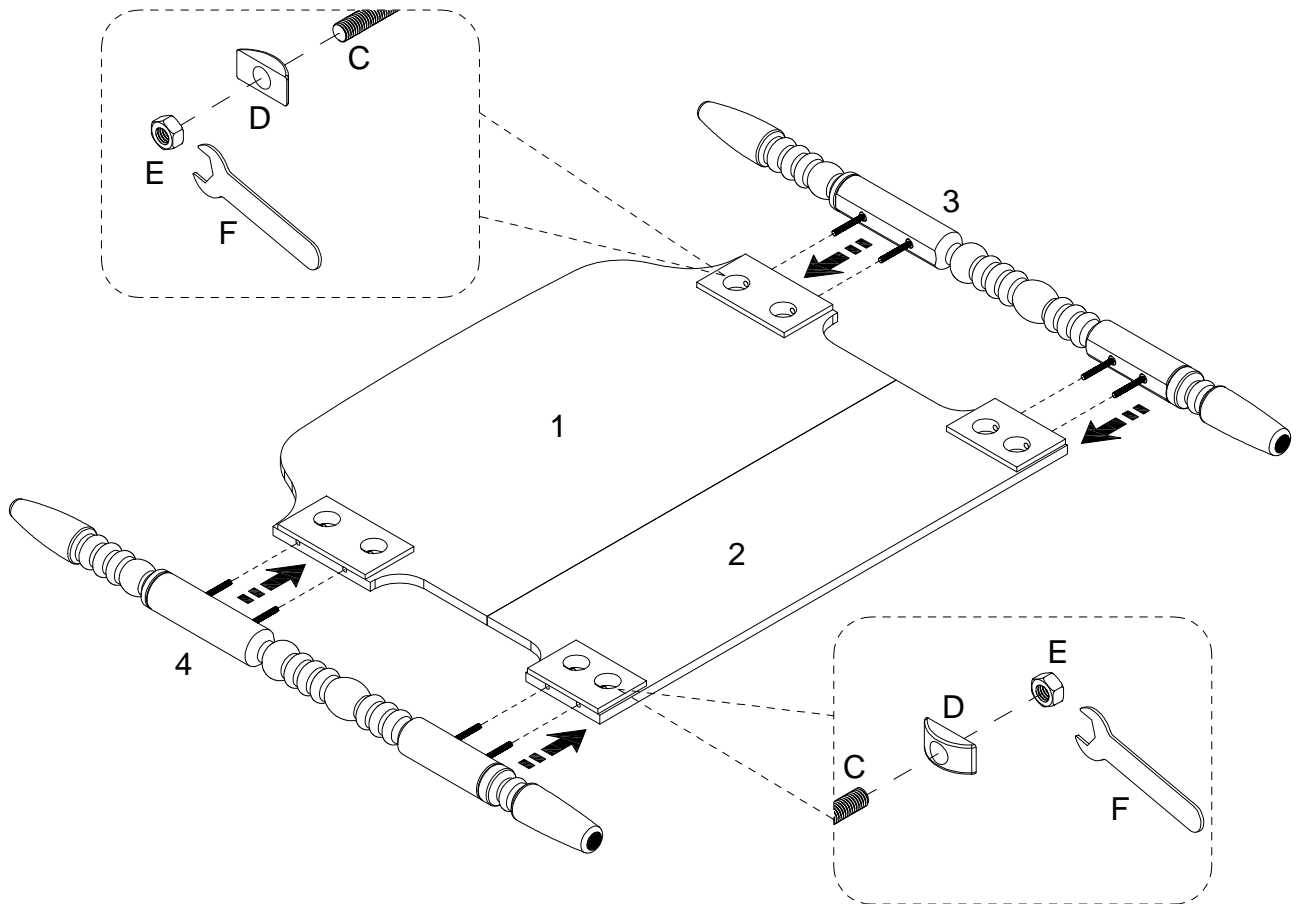
Next, twist in the Bolts (C) to the Left and Right Headboard Posts (3 & 4). For now, leave the four holes in the image without bolts empty.





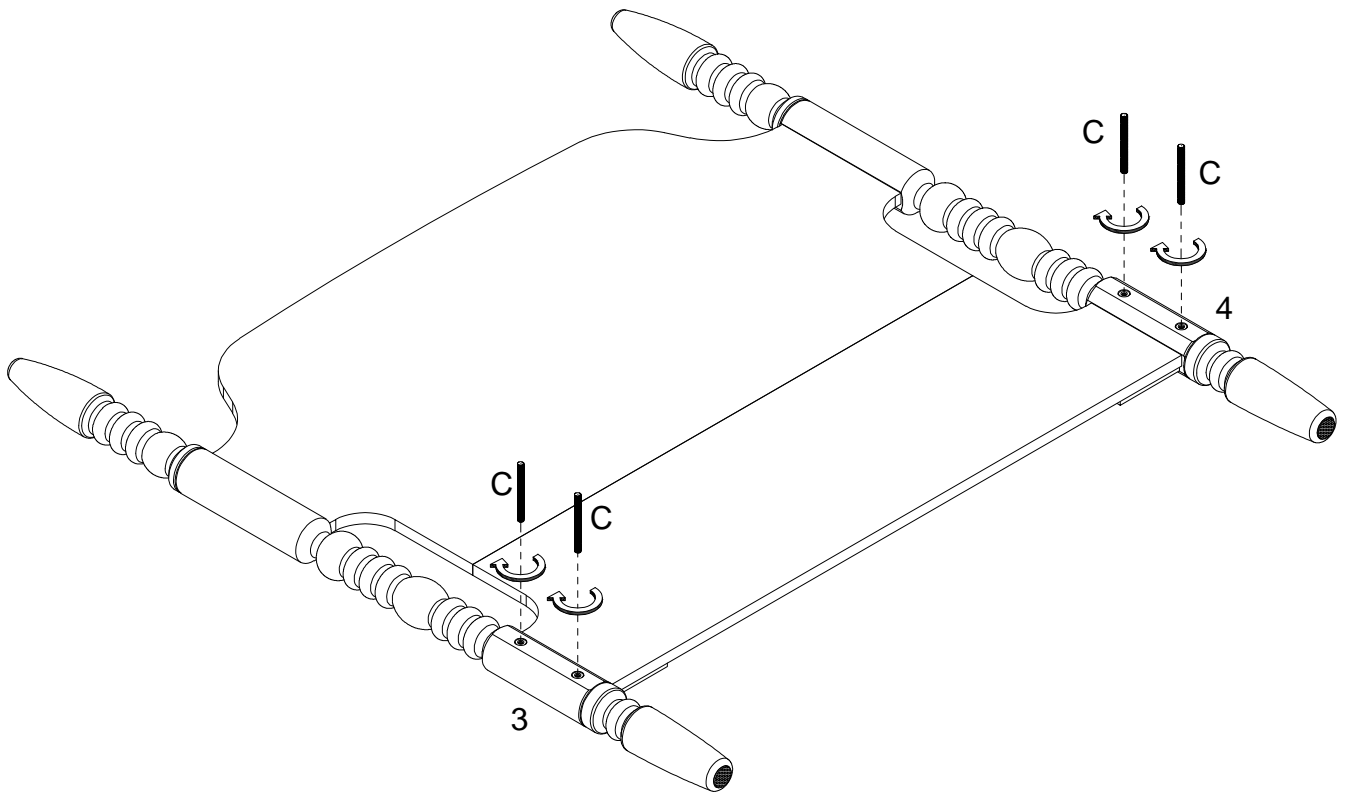
# Step 5

Now let's finish the headboard! Insert the bolts in the Headboard Posts (3 & 4) into the Headboard (1) and Headboard Rail (2). To secure, put the Half Moon Washer (D) over bolt in the circle openings on the Headboard (1) and then tighten the Nut (E) on top with the Wrench (F).



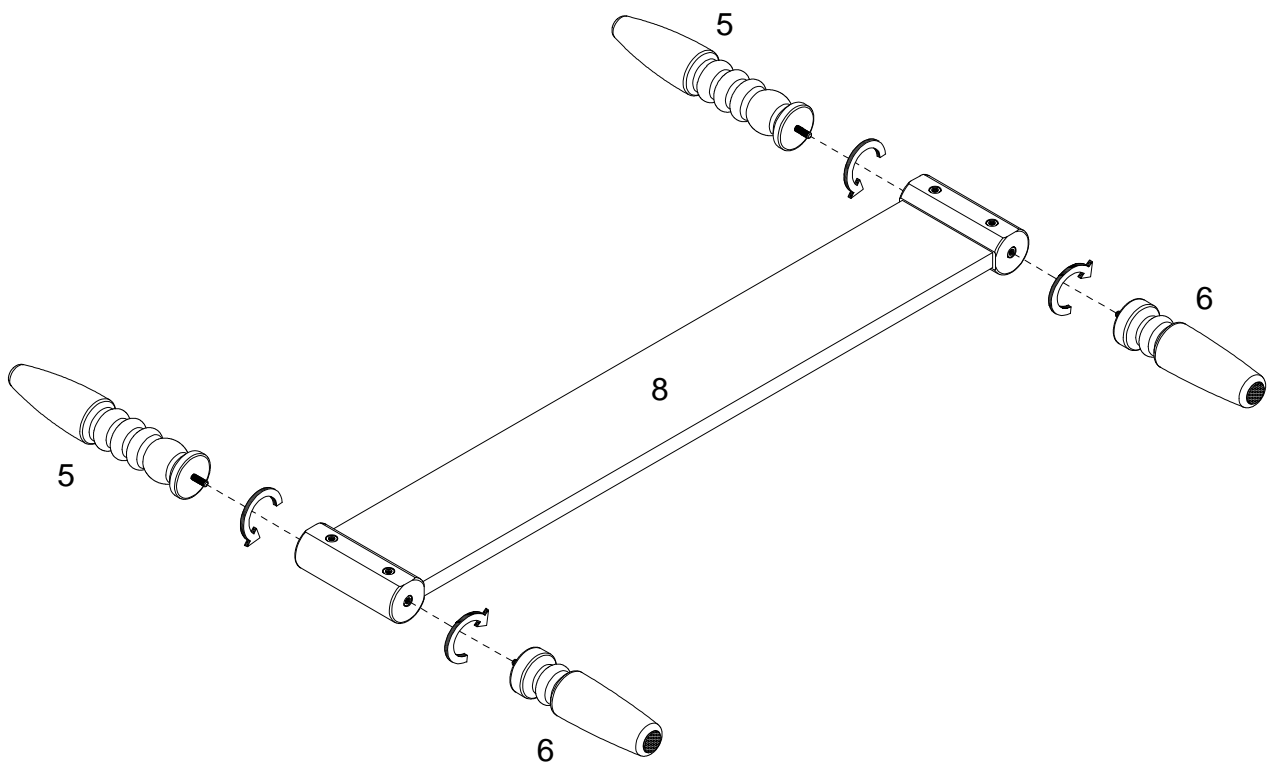
# Step 6

Turn the assembled headboard over and twist in Bolts (C) to the front side of the Left and Right Headboard Posts (3 & 4).



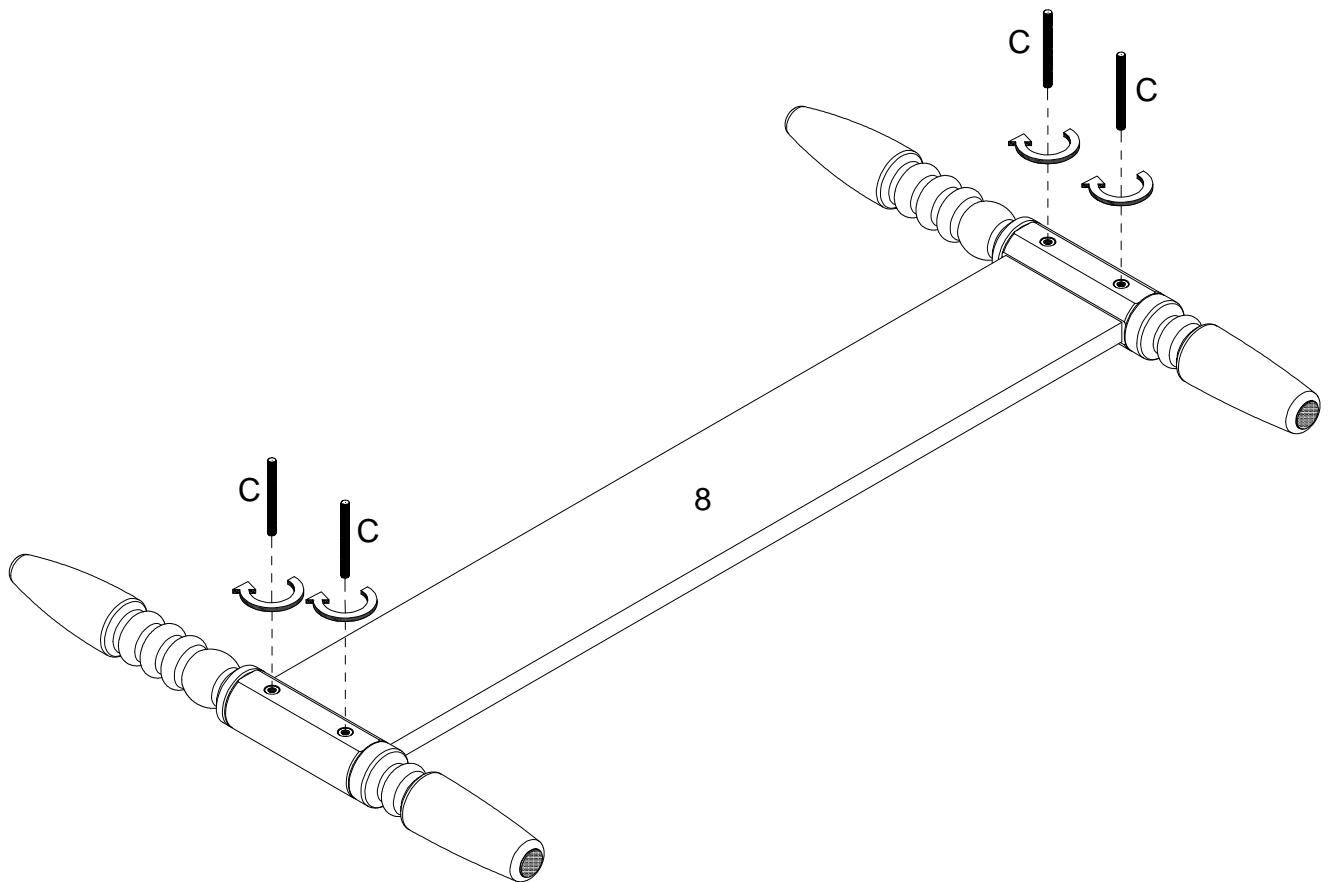
# Step 7

Next, twist the Legs (6) and Post Tops (5) into the Bottom Rail (8). Tip: The Bottom Rail is not directional so add the Legs to either side.



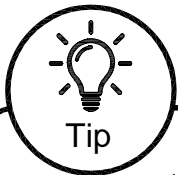
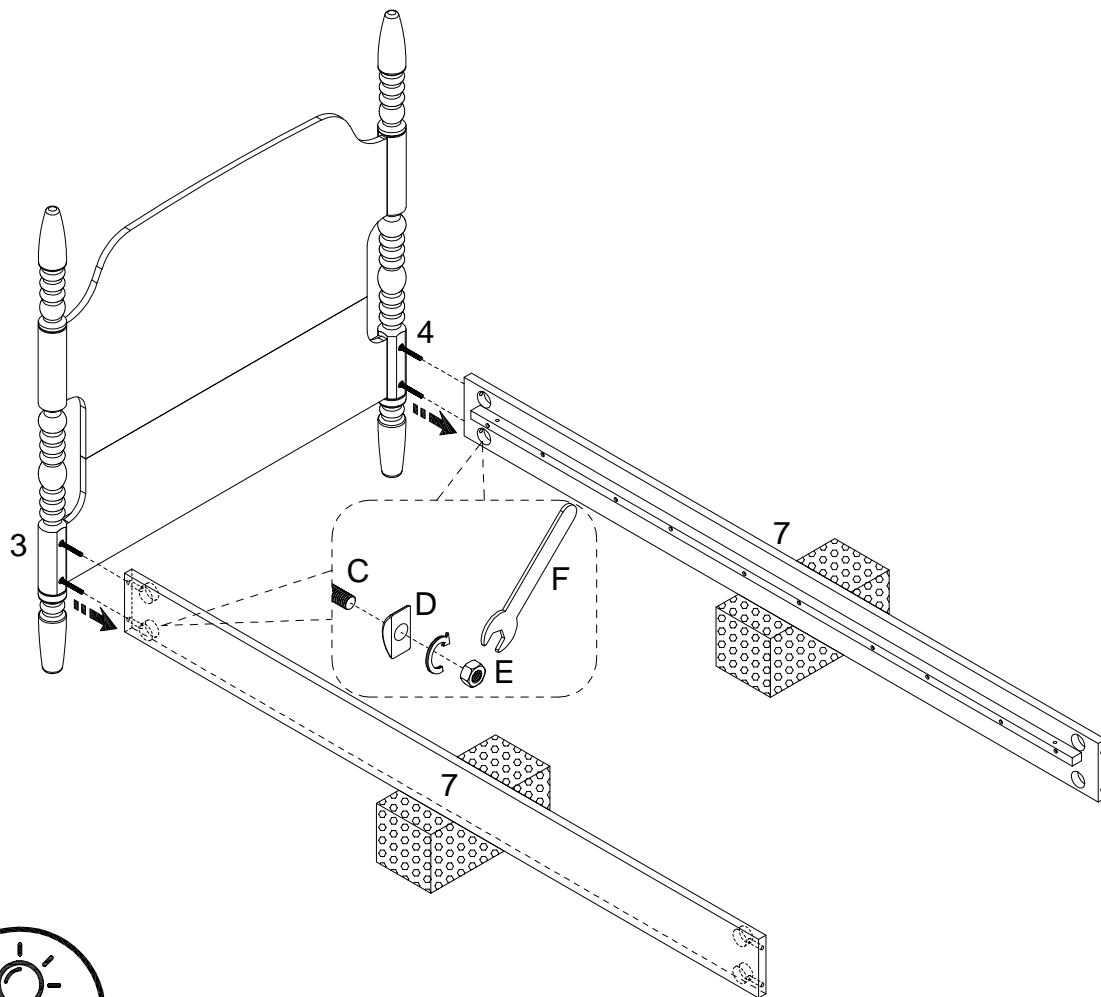
# Step 8

Twist in Bolts (C) to the Bottom Rail (8)



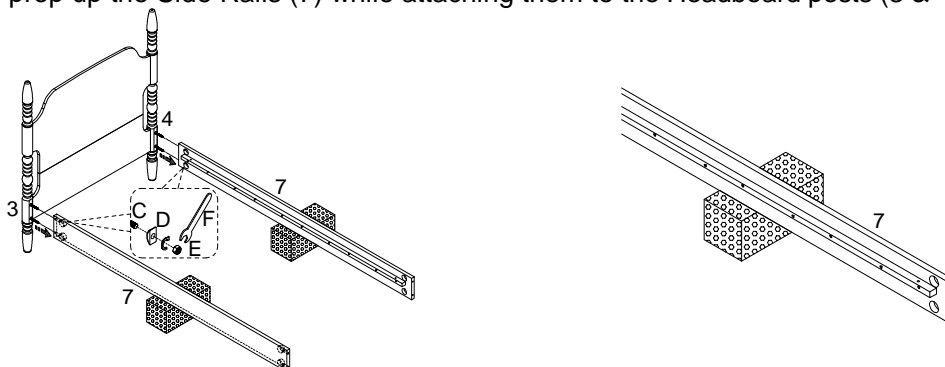
# Step 9

Find some yoga blocks, books, or anything you have near you to prop up the Side Rails (7) while attaching them to the Headboard posts (3 & 4). To secure, put the Half Moon Washer (D) over bolt in the circle openings of the Side Rails (7) and then tighten the Nut (E) on top with the Wrench (F).



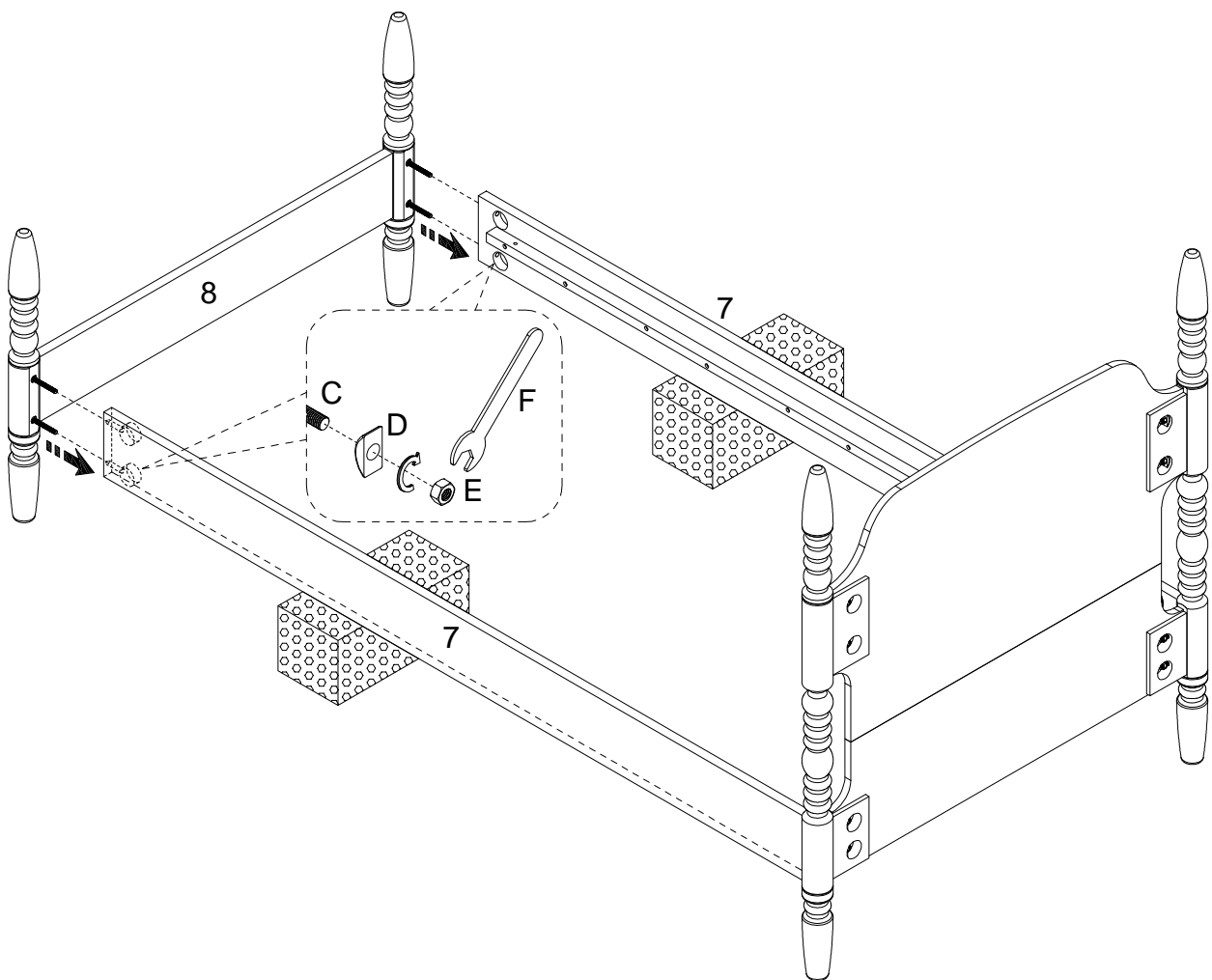
Tip

Find some yoga blocks, books, or anything you have near you to prop up the Side Rails (7) while attaching them to the Headboard posts (3 & 4).



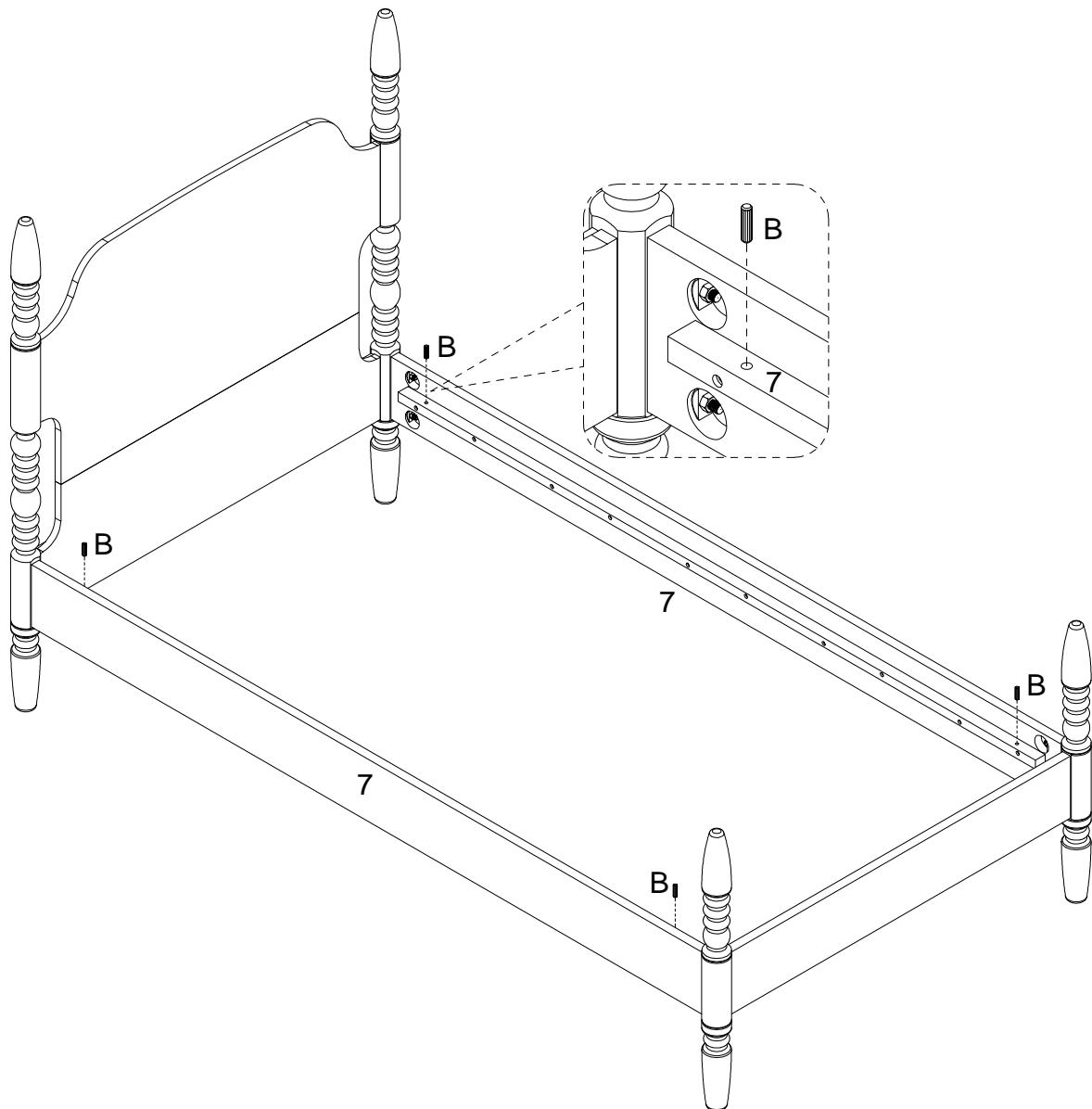
# Step 10

Attach the Bottom Rail (8) to the Side Rails (7) the same way with the Half Moon Washers (D) and Nuts (E).



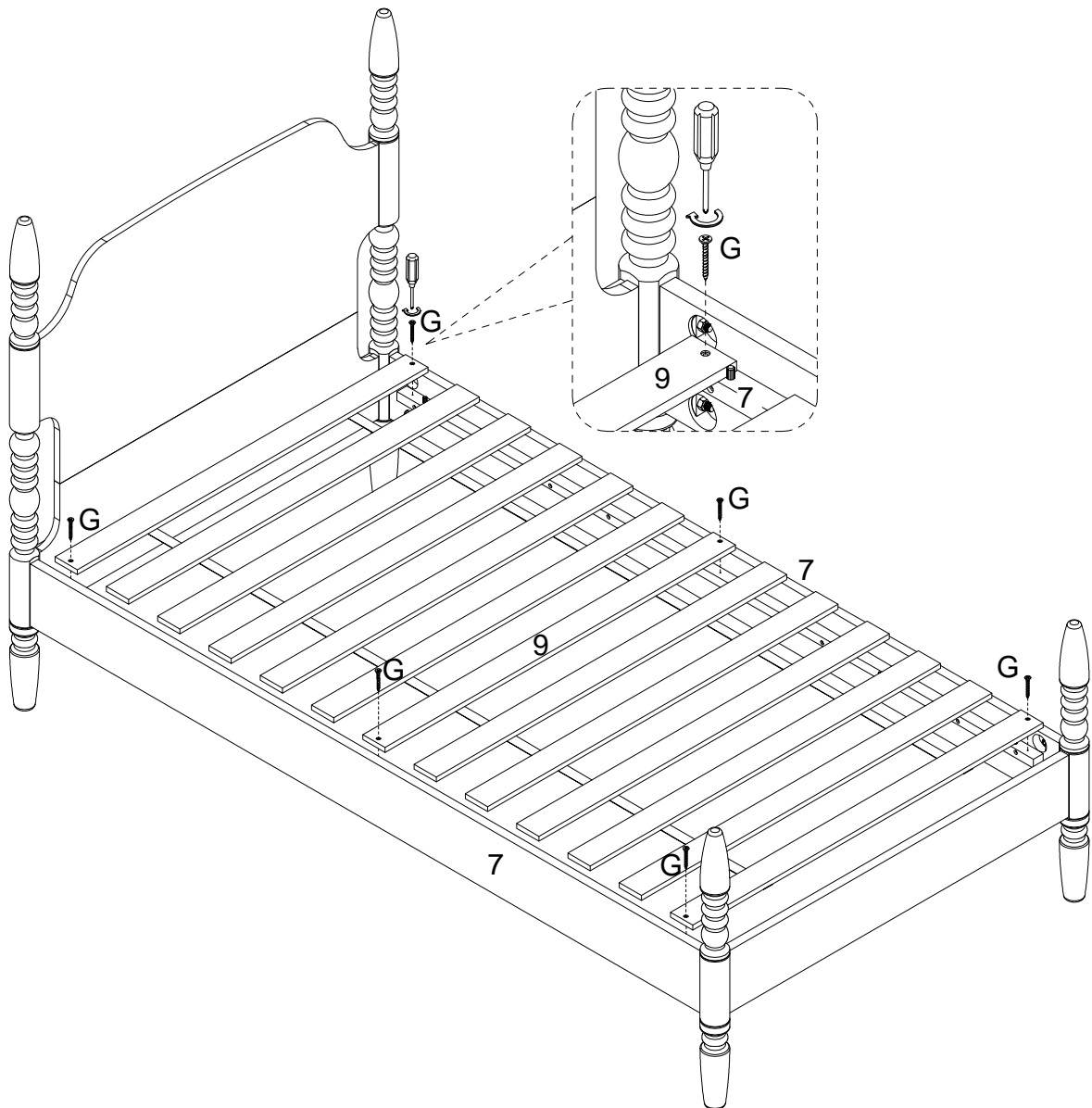
# Step 11

Place the dowels (B) into the holes on each end of the Side Rails (7), this will help when aligning the slats.



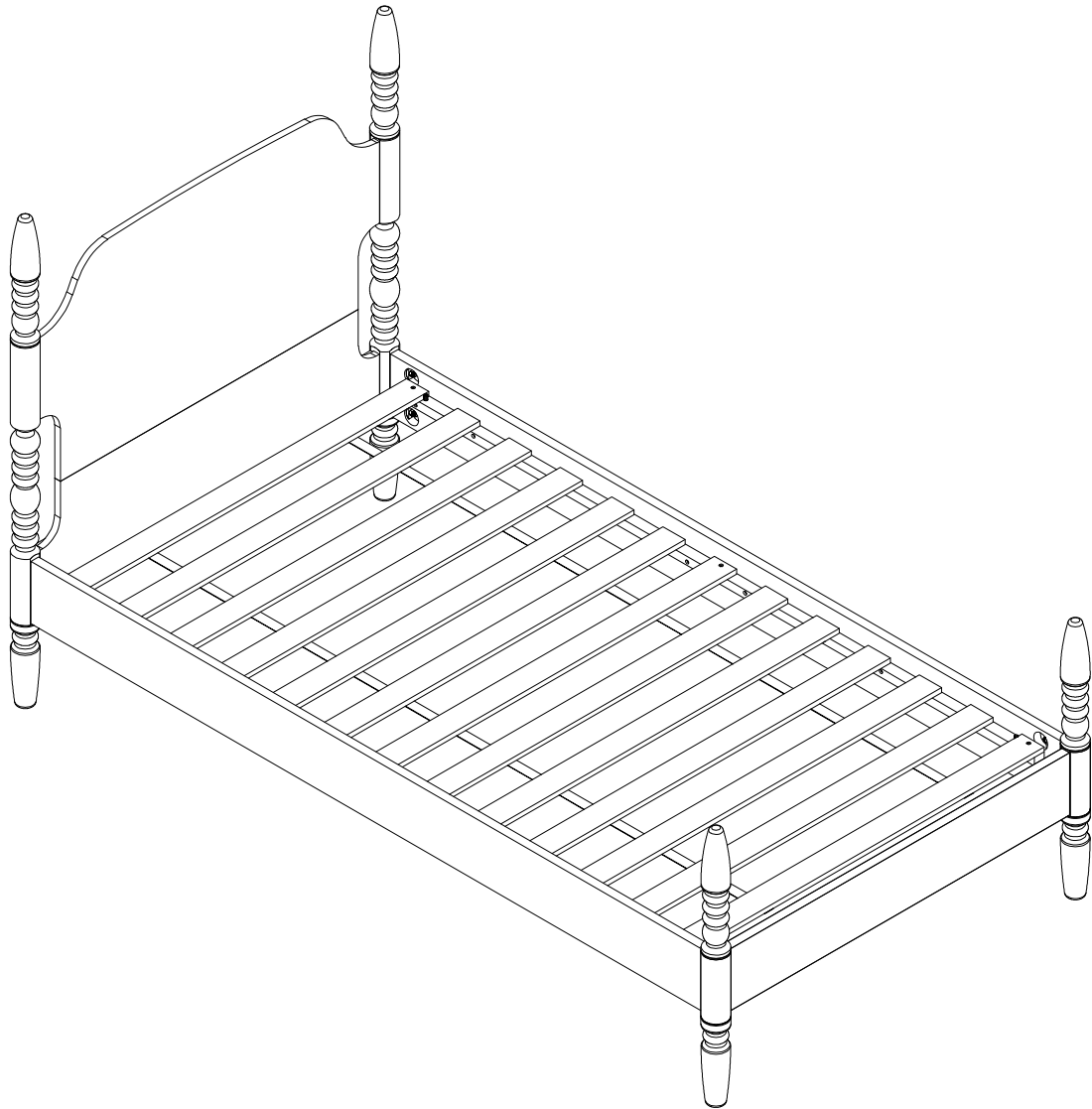
# Step 12

Last Step! Roll out the Slats (9) and secure with screws (G).





# Final Assembly



**Congratulations on your new piece of furniture!**

We would love to hear about it and see it.  
Please leave us a review or post a picture with  
[#mywalkerredisonhome](#)

# Assembling furniture can be tricky sometimes.

Our customer service team, located in Utah, is here for product information, help assembling a product, or for any other customer support issue

Call us at **801-433-3008**

Email us at [service@walkeredison.com](mailto:service@walkeredison.com)

Visit our Customer Service website at  
[walkeredison.com/pages/customer-service](http://walkeredison.com/pages/customer-service)

We are available to help Monday -Thursday 8am-5pm, Friday  
8am-3pm MST

For details on Assembly Videos, Assembly Instructions,  
Replacement Parts, and Customer service,  
**SCAN HERE**

