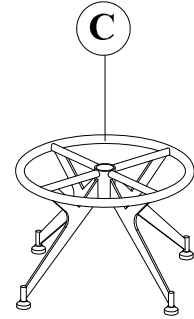
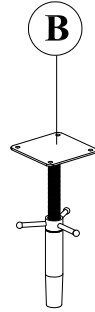
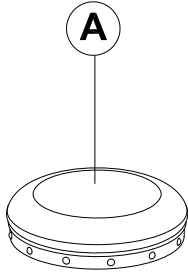


MEDICI DESK STOOL ASSEMBLY INSTRUCTIONS



PARTS PACKING CONFIGURATIONS

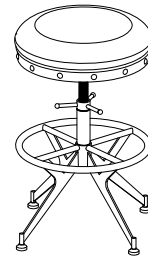
A. STOOL SEAT 1 PC
B. ADJUSTABLE POST 1 PC
C. STOOL BASE 1 PC



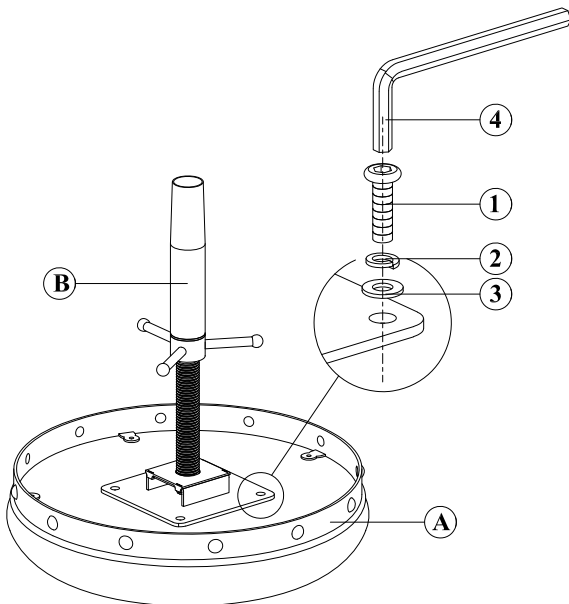
HARDWARE PACKED IN BOX

No	Description	Photo	Quantity
1	ALLEN BOLT (5/16x3/4)		4 PCS
2	SPRING WASHER (5/16)		4 PCS
3	FLAT WASHER (5/16)		4 PCS
4	ALLEN KEY		1 PC

MEDICI DESK STOOL FULLY ASSEMBLED



STEP 1:



STEP 2:

