

SURFOX MAX

USER MANUAL



SURFOX
website

TABLE OF CONTENTS

1. Safety	5
1.1. Personal protective equipment (PPE).....	6
1.2. Protection systems built into the device.....	8
1.3. Residual risks.....	8
1.4. First aid measures	8
2. Device characteristics	9
2.1. Fields of application	9
2.2. Basics of passivation	9
2.3. Transport and storage of the device	9
2.4. Device components	10
2.5. How to assemble the wand holder.....	12
3. Control panel	13
3.1. General description.....	13
3.2. Changing the language.....	13
3.3. Menu structure	14
3.4. Alarm messages	15
4. Mounting accessories on the DW wand	16
4.1. Overview of DW wand accessories	16
4.2. Installation of brush adaptor / insert.....	17
4.3. Mounting DW brush	18
4.4. Mounting pad on graphite insert 45 mm	19
4.5. Mounting pad on graphite insert 100 mm	20
5. Before device startup	21
5.1. Precautions for the use of the device.....	21
5.2. Electrical installation	22
6. Cleaning and polishing of welds	23
6.1. Start of processing	23
6.2. After processing	25
6.3. Shutdown	25
7. Marking/Etching (optional)	26
7.1. Overview of marking/etching wand accessories	26
7.2. Marking insert installation	27
7.3. Mounting a pad on the marking insert.....	27
7.4. Electrical installation	28
7.5. Start of processing	29
7.6. After processing	30
7.7. Shutdown	30
8. Maintenance	31
8.1. Routine maintenance.....	31
8.2. Extraordinary maintenance.....	31
9. Disposal and scrapping	32
9.1. Packaging	32
9.2. Used pads.....	32
9.3. Waste liquids.....	32
9.4. Obsolete devices and equipment.....	32
10. Declaration of Conformity	33
11. General Warranty Conditions	39
12. Repair and Service	40
13. Technical specifications	41

It is necessary to read carefully the instructions of this manual before any operation.

This manual provides the main information for adequate and safe installation, start-up, operation and maintenance of the device.

This manual is intended to familiarize the user with this unit, its particular features, applications, limitations, and the manufacturer's suggestions and recommendations.

The manual is an integral part of the device and should be stored with care until the unit is dismantled.

This manual reflects the state of the device at the time of delivery and cannot be regarded as inappropriate simply because of later updates based on additional experience.

This device is built with extra durability to stand up to the heavy demands of industrial use. However, like any piece of electrical equipment, care and safety should always be taken when using and maintaining this valuable investment. With proper care and maintenance, your unit will provide years of reliable service.

WALTER CUSTOMER ASSISTANCE DEPARTMENT (walter.com) is at your disposal to provide all the marketing and user information.



1. SAFETY



WALTER's SURFOX MAX is produced in accordance with applicable standards governing the manufacture, performance and safety of industrial products.



All persons in charge of device installation, operation, maintenance and repair must possess the appropriate technical qualifications and must meticulously comply with the provisions of this user manual.

To reduce the risk of fire, electric shock, and personal injury, always follow basic safety precautions when using this equipment.

OBLIGATIONS OF THE PERSON IN CHARGE OF THE DEVICE

The owner of the device and/or any person responsible for safety are required to:

- Ensure that all users of the device are adequately trained as regards current occupational health and safety regulations.
- Ensure that all users of the device have read this user manual in its entirety and have understood all of it, in particular the sections on safety standards.
- Periodically check that all personnel always operate in compliance with safety standards.
- Inspect the equipment regularly to ensure that it is operating properly and performing its intended function. Damaged or defective parts must be repaired or replaced immediately by **WALTER** qualified personnel only. Refer to spare parts list for the ordering number and contact a **WALTER** Factory Service Center or **WALTER** Authorized Service Center.
- Periodically check that all the safety signs affixed to the device (data plate, stickers bearing danger symbols, etc.) are clearly legible and not damaged, overwritten, removed or obscured by other objects.

OBLIGATIONS OF THE USER

Personnel authorized to use the device must:

- Operate in accordance with current occupational health and safety regulations.
- Read this user manual carefully, paying particular attention to the sections on safety standards.
- Sign a document in which they declare that they have read and understood this manual, and that they undertake to follow all the instructions contained therein.
- When working, always wear personal protective equipment and clothing (see *chapter 1.1*).
- Use the device only as explained in this manual; improper use increases the risk of accidental personal injury and/or property damage.
- Stay alert at all times when handling this unit. Watch what you are doing. Use common sense. Do not operate the device if you are tired. Never leave it running unattended.
- Do not use the unit if the switch does not turn ON and OFF.
- Hold the wand firmly. Do not overreach, maintain good footing and balance at all times.
- Keep the work area clean and well lit. A cluttered environment invites accidents. Remove any material that may be ignited by sparks. Do not use this equipment in the presence of flammable liquids or gases. Keep handles clean, dry and free from cleaning solution, oil and grease. Do not use in rain, damp or wet locations.
- Take appropriate precautions and always secure the device during periods when the workstation is not manned (such as during breaks or at the end of the shift).
- Do not abuse the power cord. Never pull or lift this unit by its cord or yank to disconnect it from the outlet. Keep the cord away from heat, oil, and sharp edges. Inspect the cord regularly and have it replaced by a **WALTER** Factory Service Center or **WALTER** Authorized Service Center if damaged.
- Keep children and others away from the work area. Make sure no one is under you when working in high places. Do not allow unqualified persons handle this machine.

1.1. PERSONAL PROTECTIVE EQUIPMENT (PPE)

The use of this device entails several risks, therefore the use of appropriate personal protective equipment (PPE) is necessary.



ELECTROLYTE SOLUTIONS

For its normal operation, the device requires the use of special electrolyte solutions that contain phosphoric acid.

These products are dangerous because:

- They are corrosive.
- They may cause irritation and burns if they come into contact with the skin or mucous membranes.
- If they come into contact with the eyes, they can cause serious eye damage.
- Using them exposes the operator to the risks typically associated with the use of chemical substances.

In addition, during processing, these substances:

- Conduct potentially dangerous high electrical current flows if you touch them.
- Release harmful fumes when they evaporate.

Do not use products other than those indicated in this manual (otherwise any form of warranty will be voided) and do not mix these products with others.

Always store these substances in a safe place in their original containers, out of the reach of children and other unqualified persons. Keep container contents clean. Do not reuse electrolyte cleaning solutions.

In case of accidental contact with the eyes or skin, or if swallowed, follow the instructions shown on the product safety data sheets (MSDS).

See also *chapter 1.4*, where some first aid measures are illustrated.

You can request a copy of the safety data sheets for electrolytic solutions at:

WALTER

Phone (US): +1 866 592-5837

Phone (CA): +1 888 592-5837

Website: walter.com



All users of the device must wear appropriate work clothing in order to mitigate the risks related to the use of electrolyte solutions. The clothing must meet the following requirements:

- Gloves must be made of materials that are resistant to acids and chemicals.
- All garments must be waterproof to ensure better protection for the user.
- Clothes and protective devices must always be intact and kept in good condition.

It's important to keep the device as clean as possible to reduce the risk of accidental contact with electrolyte solutions.

The operations performed with this device **must be carried out in well ventilated places.**

If this is not possible, as for example in the case of use in confined spaces (silos, sewers, tanks, furnace combustion chambers, pipes, etc.), **an adequate extraction system must be implemented.**

The SURFOX MAX is not equipped with a built-in fume extraction device, **so it is recommended that an appropriate external system be used for this purpose.**



BURN PREVENTION

During the cleaning process, the wand tip and work piece can reach very high temperatures:

- Very hot parts can cause skin burns upon contact.
- Do not touch the wand tip or work piece while working or immediately after use, they may be extremely hot and could cause serious burns.
- Allow to cool before coming in contact with exposed skin.

Be very careful when handling a newly processed piece and when removing the pads and inserts.



All users of the device must wear suitable protective gloves for the handling of the parts and for the use of the wand.



ELECTRIC SHOCKS

All electric shocks are potentially fatal, so it is necessary to take appropriate safety measures to minimize the risk of electric shock:

- **Before connecting this unit, check that the voltage and amperage shown on its rating plate match the power supply. Operating this unit other than specified on the rating plate may result in personal injury to the user and damage the unit.**
- **The device must be connected to a mains power supply fitted with an efficient, functioning and periodically tested earthing system. Otherwise, the manufacturer is relieved of any liability for any loss or damage caused by this serious act of negligence.**
- This unit is equipped with a 3-conductor power cord and a 3-prong electrical plug that must be connected to an appropriately grounded electrical outlet.
- Do not use the device in damp rooms.
- Never touch live parts.
- Never operate the unit with its protective cover removed.
- Always switch off the device if the workstation remains unattended (during breaks and at the end of shifts).
- Frequently inspect the power supply cable and if there is any damage or abrasion to the protective coating, replace it immediately.
- When not in use, turn OFF the unit, unplug the power cord and the air hose (if any).
- **Carry out maintenance only after disconnecting the device from the mains.**
- Maintenance of electrical parts must only be performed by experienced and authorized personnel.
- Always use original spare parts.

If while using the device you experience even the slightest sensation of electric shock, switch off the unit immediately and do not use it until the problem has been identified and resolved by qualified personnel.



All users and maintainers of the device must wear insulating gloves to protect themselves from accidental contact with live parts.

To maximize safety, it is preferable to always use insulating tools when performing maintenance operations.

1.2. PROTECTION SYSTEMS BUILT INTO THE DEVICE

THERMAL PROTECTION

All SURFOX units automatically shut down if excessive overheating is detected on the inverter board.

When this protection system is activated, the device immediately shuts down and cannot be restarted until it has cooled down; once the temperature has returned to normal levels, the unit automatically resumes operation.

To prevent the unit from overheating, air must flow freely through the air vents. Maintain a minimum clearance of 8" (20 cm) around the unit to ensure that all air openings are clear of any obstruction.

PROTECTION AGAINST SHORT CIRCUITS

All SURFOX units are equipped with a built-in short circuit protection system that can occur between the insert installed on the wand and the workpiece, in particular when the currents involved are high.

In the rare cases in which this happens, the system is designed to automatically intervene and terminate the flow of current to the wand; in this way the device electronic parts are safeguarded. The operation of the unit is restored immediately once the electrode has been removed from the workpiece.

If the device repeatedly trips, it is recommended to check the wear of the consumables (e.g. pads) or to use lower operating voltages.



Do not disable and/or bypass the device's built-in protection systems.

1.3. RESIDUAL RISKS

The risks involved in the use of this devices are significantly reduced if both the safety rules indicated in *chapter 1.1* and the instructions for use shown in this manual are followed.

However, there are still risks arising from the high temperature reached by the electrode, possible contact with electrolyte solutions and the operator's potential exposure to harmful fumes generated during processing; therefore, it is advisable to always follow all the safety procedures described in this chapter.

1.4. FIRST AID MEASURES



In the event of accidental exposure to electrolyte solutions or fumes produced during processing, please remain calm and avoid any unintentional or harmful actions. It is recommended that you comply with the following guidelines:

- In the case of inhalation of processing fumes, try to ensure an inflow of fresh air into the respiratory tract and aerate the surrounding environment when possible. If there are any subsequent respiratory tract complaints, seek medical advice.
- If the skin comes into contact with acid solutions, wash it immediately with running water and soap; if after drying you experience persistent skin irritation, consult a dermatologist or doctor.
- If acid solutions are swallowed, DO NOT induce vomiting. Call an ambulance immediately and in the meantime repeatedly rinse your mouth and then drink copious amounts of water.
- If a certain amount of electrolyte comes into contact with your eyes, rinse your face thoroughly while trying to keep your eyes open. Repeat the operation for at least 15 minutes, lifting eyelids occasionally. Use an emergency eyewash if available. If possible, remove any contact lenses and continue rinsing. If irritation or subsequent visual complaints persist, consult an ophthalmologist or doctor immediately.

2. DEVICE CHARACTERISTICS

2.1. FIELDS OF APPLICATION

WALTER's SURFOX MAX quickly, easily and cost effectively removes the heat tint from heat affected zones on stainless steel and aluminum while completely passivating the stainless steel surface.

The device is equipped with self-regulating inverter boards that automatically monitor and adjust the current to ensure maximum cleaning efficiency without loss of productivity.

An electrochemical process allows the SURFOX MAX to clean and passivate welds on stainless steel. SURFOX electrolyte solutions are phosphoric acid based, approved for food industry, and are activated by an electrical current to clean welds. The process takes only a few seconds without damaging or scratching the surface of the parts to be cleaned.

YOUR SURFOX MAX CAN CLEAN:

TIG welds, Plasma welds, Laser welds, Spot welds, MIG welds.



Special care must be taken when using this device on particularly delicate steel surfaces (e.g. AISI 430), as permanent white halos may form during processing.
If in doubt, it is good practice to first perform a test on a sample of the same type of steel.
For further information contact **WALTER CUSTOMER SERVICE REPRESENTATIVE (walter.com)**.



WALTER is not liable for loss or damage caused by the device if used outside the fields of application mentioned above.
SURFOX devices are designed for industrial applications, so their use in the home is strictly prohibited.

2.2. BASICS OF PASSIVATION

The cleaning of the welds is not only for aesthetic purposes but most importantly for passivation.

Passivation is the treatment of stainless steel surfaces to remove contaminants and promote the formation of a thick and durable protective chromium oxyde layer.

This passive layer will insure the corrosion resistance of stainless steel. If passivation is not done properly, stainless steel and heat affected zones may start to rust.

2.3. TRANSPORT AND STORAGE OF THE DEVICE

To facilitate transport, the SURFOX MAX is equipped with a handle at the top. See *chapter 13* for detailed information on the size and weight of the device.

Make sure the switch is in the OFF position before connecting or moving the unit to avoid unintentional starting.

The device must be kept in a sheltered and moisture-free place to protect its internal electrical components.

If the machine is to be stored for an extended period of time, the cleaning accessories must be removed, neutralized, rinsed and dried. The device must be carefully packed in a suitable container and properly protected, in particular from exposure to freezing temperatures. Store the unit in a safe place, out of the reach of children and other unqualified persons.



WALTER will not be held responsible for any damages resulting from a rough handling.



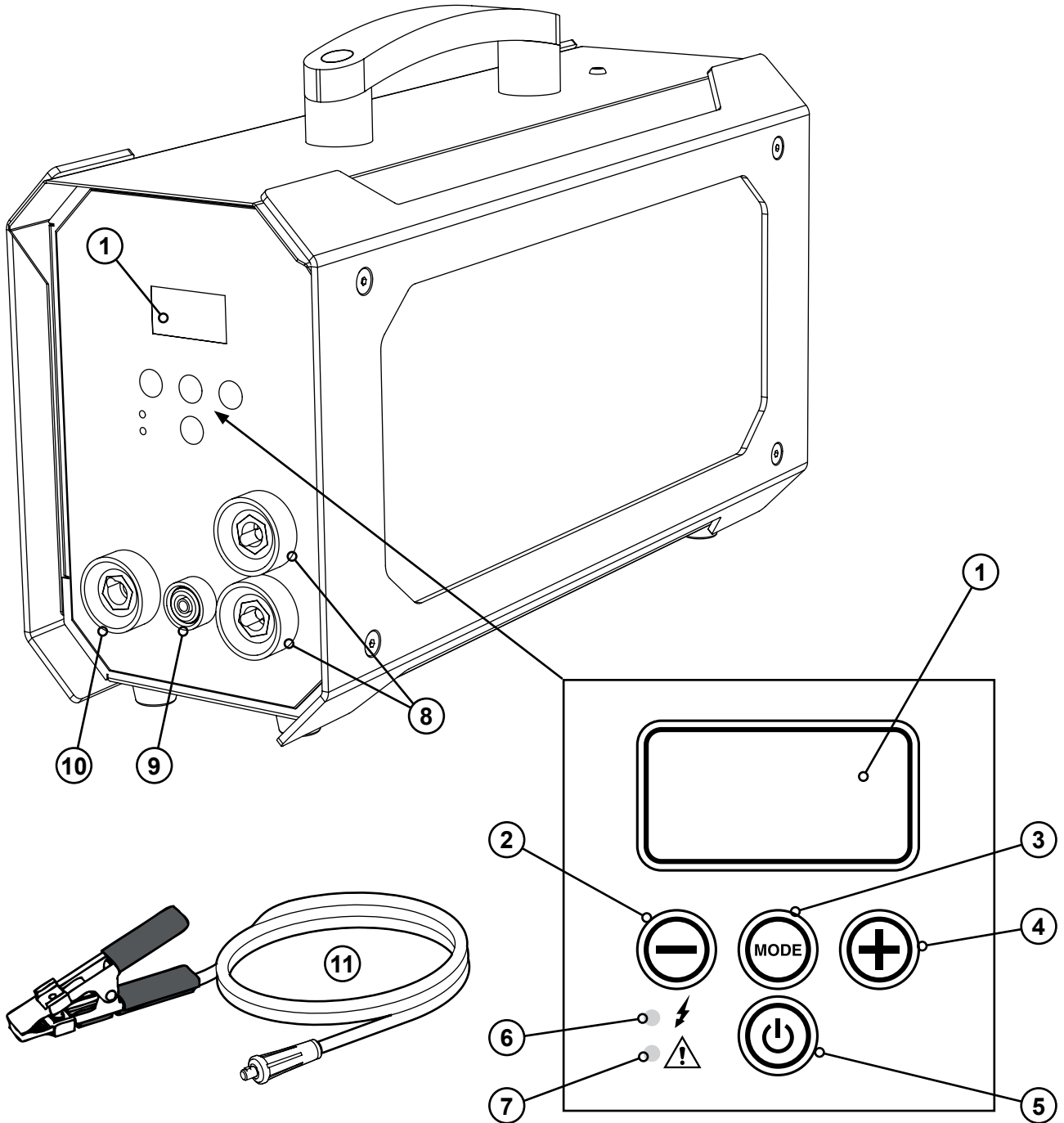
The handle is designed exclusively for carrying the device by hand.
Do not use it as a hook-up point for the forks of forklifts or other lifting machinery.



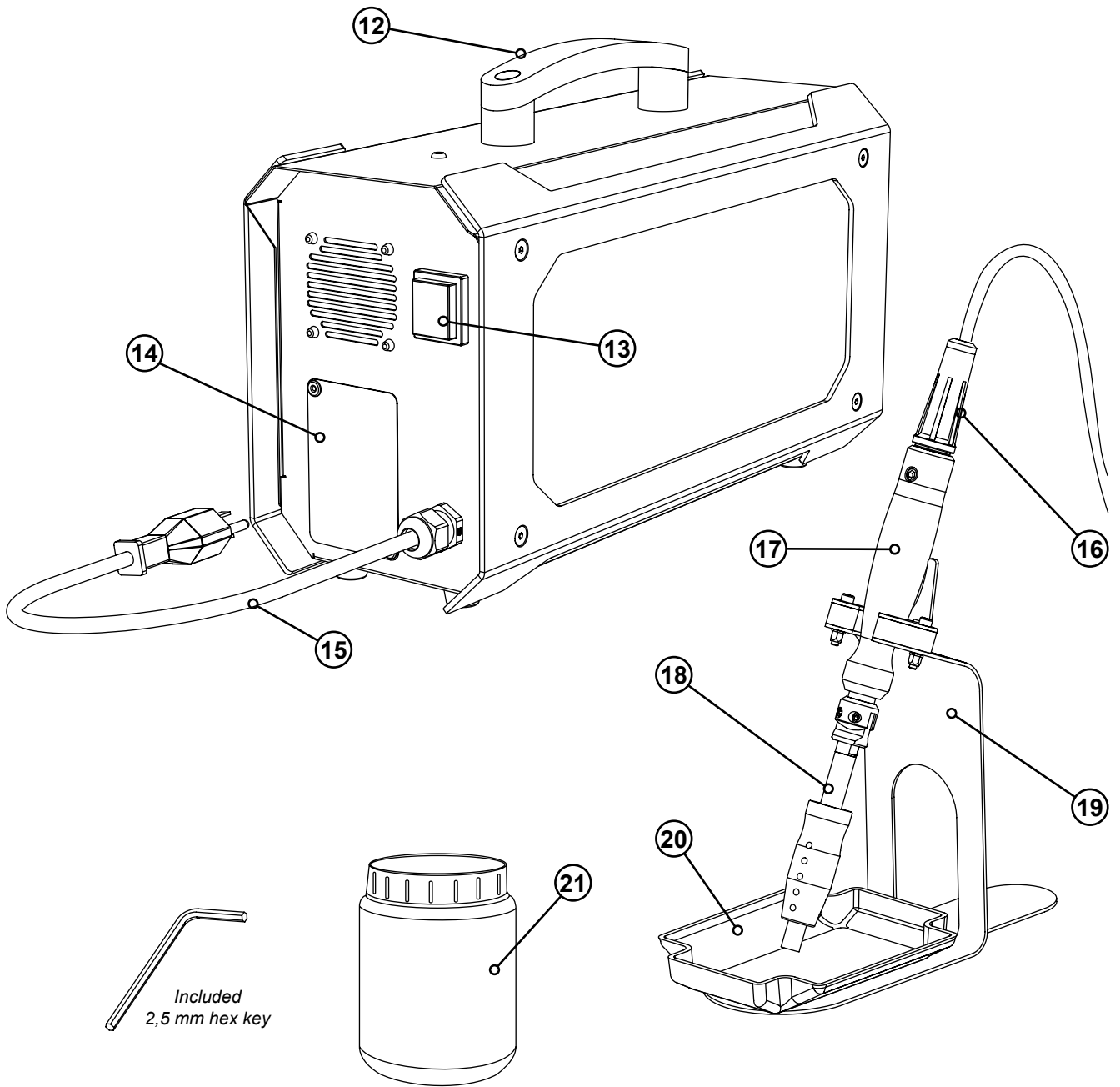
If it is necessary to return the SURFOX MAX to the **WALTER** Factory or Authorized Service Center, please follow the instructions in *chapter 12* to carefully prepare and pack the shipment.

WALTER is not liable for any loss or damage to persons or property due to the leakage of electrolyte solution from the cleaning accessories during packing operations and shipping to service centers.

2.4. DEVICE COMPONENTS



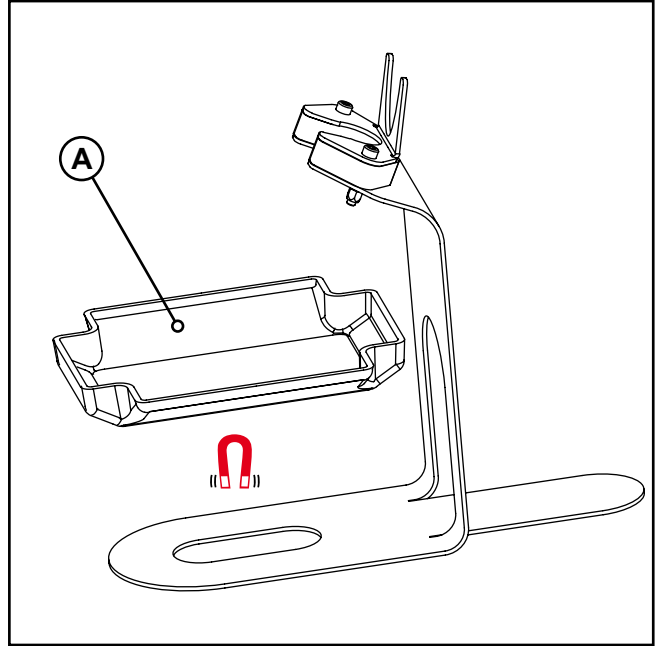
1	Display	7	Alarm LED (red)
2	Voltage decrease button	8	Black sockets for DW wand
3	MODE button	9	Black socket for marking/etching wand
4	Voltage increase button	10	Red socket for ground cable
5	Power button	11	Ground cable
6	Power LED (green)		



12	Handle	18	DW brush
13	Main switch (ON/OFF)	19	Wand holder
14	Rating plate	20	Collecting tray
15	Power cord	21	Plastic jar
16	DW Wand black power cable		
17	DW Wand		

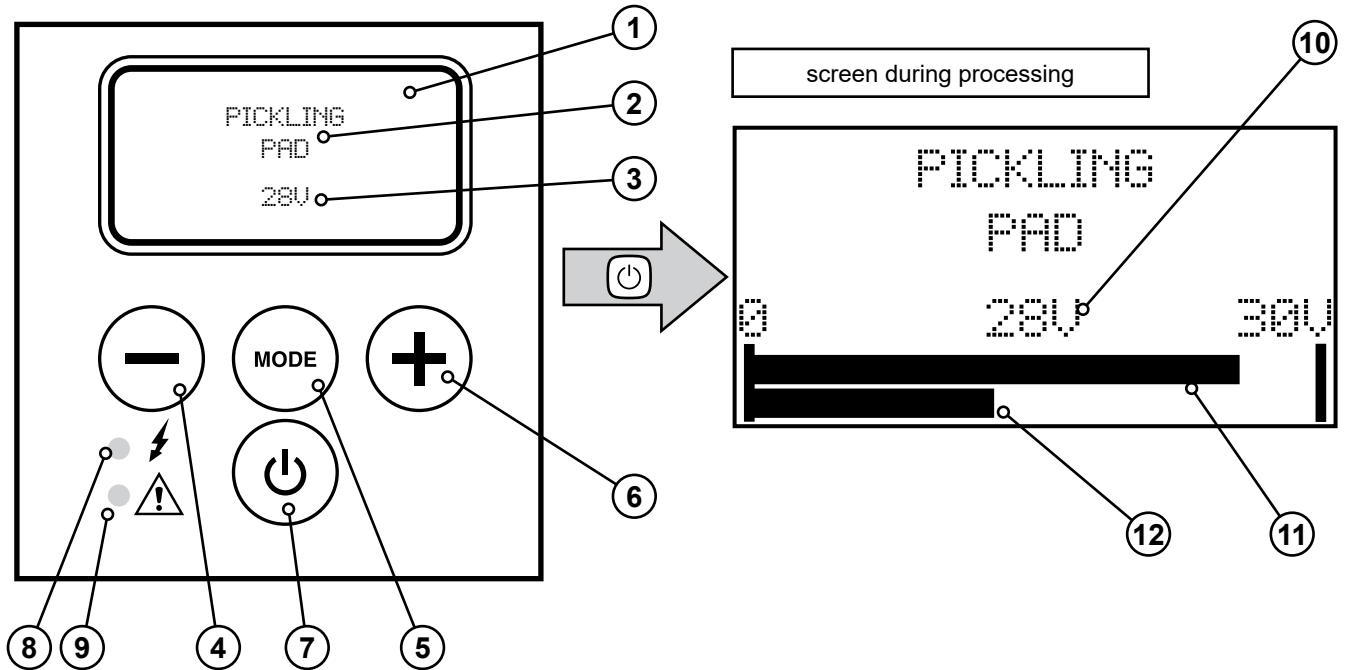
2.5. HOW TO ASSEMBLE THE WAND HOLDER

- The collecting tray (A) is equipped with magnets and no tools are needed to fit it into the slot on the base.





3. CONTROL PANEL

3.1. GENERAL DESCRIPTION



1	Display	8	Power LED (green)
2	Operating mode indicator	9	Alarm LED (red)
3	Set voltage (V)	10	Set voltage (V)
4	Voltage decrease button	11	Output voltage indicator
5	MODE button	12	Current output indicator
6	Voltage increase button		
7	Power button		

3.2. CHANGING THE LANGUAGE

- With the device switched on, keep the – and + buttons pressed at the same time for a few seconds.
- The code **0 0 0 0** will appear on the display; press the  button.
- Select the required language from those available (**EN - ES - FR - PT**) using the – and + buttons.
- Press the  button again to confirm and go back to the main screen.



If no button is pressed for 30 seconds during the language selection procedure, the unit automatically goes back to the main screen without saving any changes that were made.

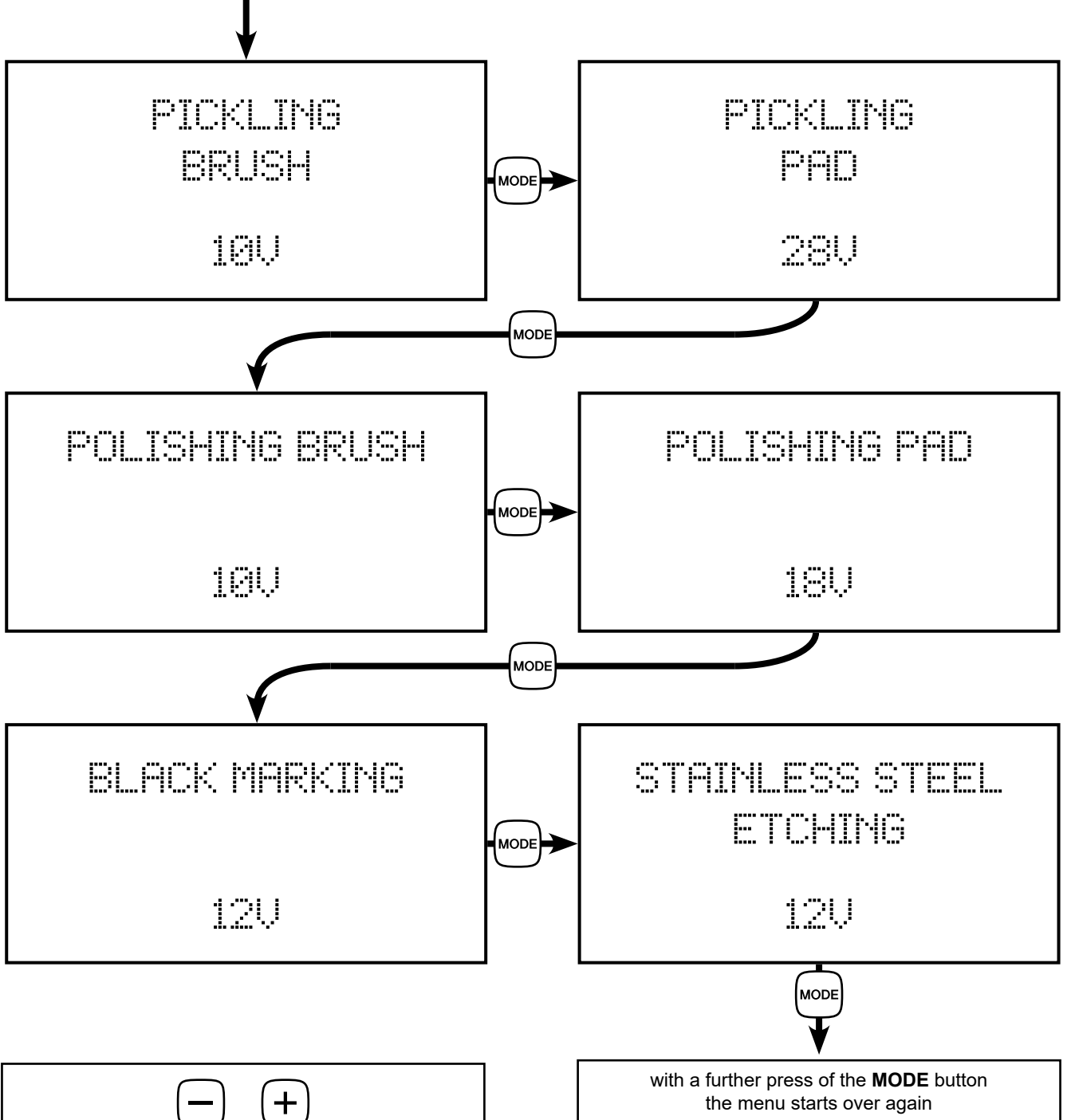
3.3. MENU STRUCTURE



The display lights up when the main switch of the device is brought to position "I"; this switch, colored green, is located in the rear of the device (see chapter 2.4).

During startup, the **WALTER** logo and a screen with the firmware information are briefly displayed on the screen. The unit then moves on to the PICKLING BRUSH program.

To change the operating mode, press the **MODE** button.



Regardless of the program selected, the – and + keys can be used to increase or decrease the working voltage (in 1-volt increments).

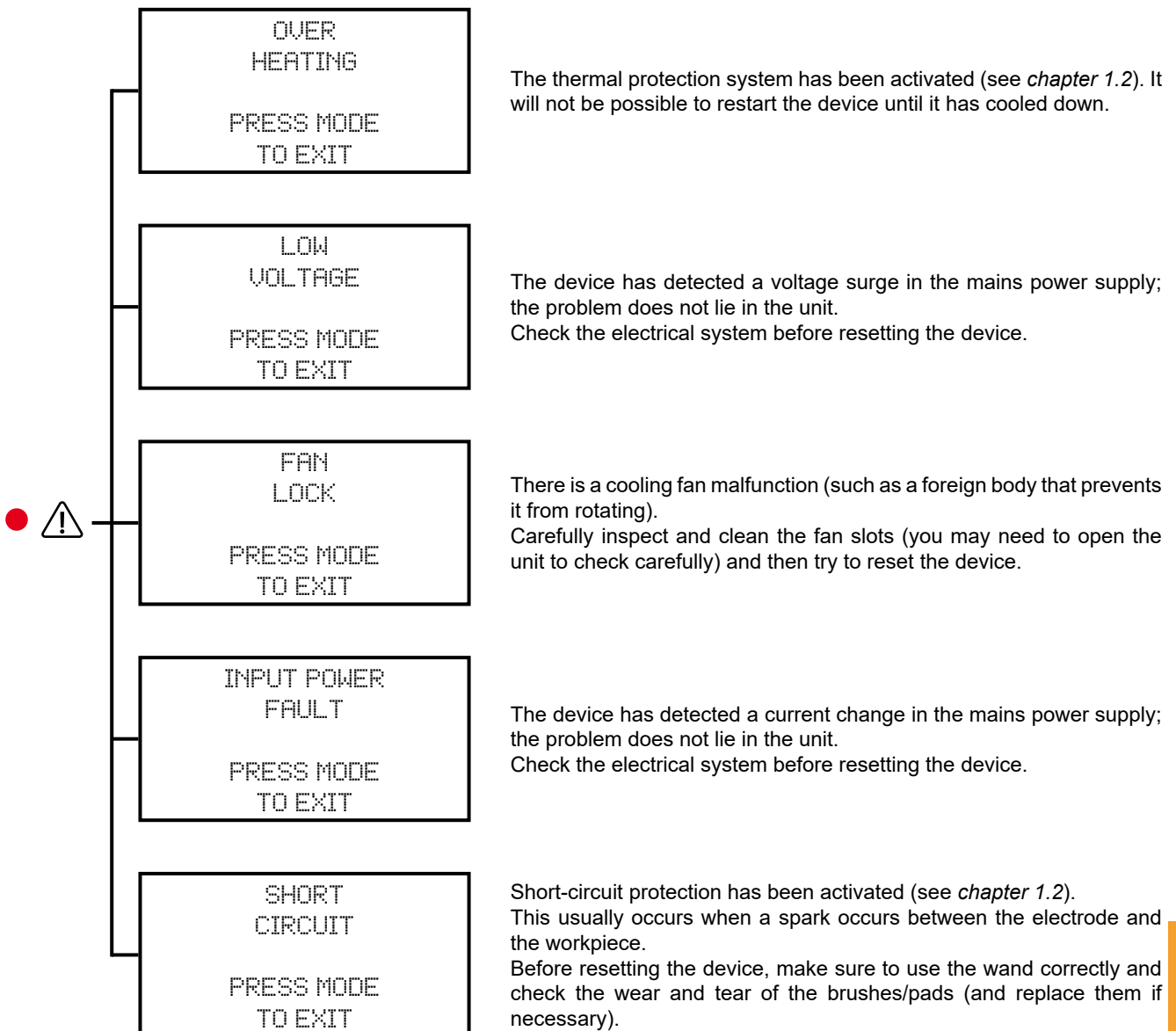
The default voltage level in the various operating modes is that recommended by the manufacturer.

3.4. ALARM MESSAGES

In the case of problems or faults, the alarm LED lights up (see *chapter 3.1*) and the device stops supplying current. To help the user identify the source of the problem more easily, the unit displays a text message indicating the probable cause of the malfunction.

After solving the problem, press the **MODE** button to reset the device and resume work.

For further assistance, contact **WALTER Customer Service** (walter.com).



4. MOUNTING ACCESSORIES ON THE DW WAND



During the installation of brushes, inserts and pads, the device must be switched off:

- Switch the main switch to the "O" position.
- Disconnect the device from the mains.



For its normal operation, the device requires the use of particular acid solutions that can be dangerous (read *chapter 1* carefully).

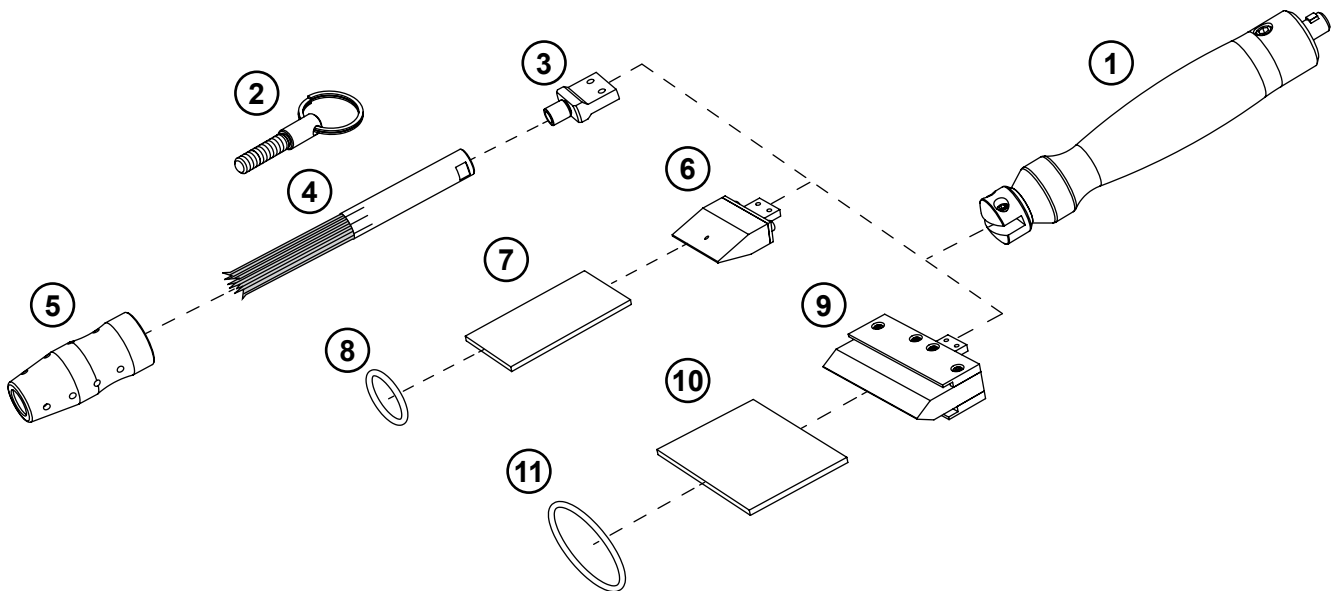
When replacing an accessory on the wand, **be very careful of any electrolyte residues remaining on the brush or pad.**



Always use suitable protective gloves when mounting/removing wand accessories in order to:

- Reduce the risk of direct contact between skin and acid solutions.
- Obtain a certain level of protection from burns if the inserts are still too hot.

4.1. OVERVIEW OF DW WAND ACCESSORIES



1	54-B 617	DW wand	included	p. 16
2	54-B 618	Brush extraction tool	included	p. 18
3	54-B 149	Brush adaptor	included	p. 17
4	54-B 604	DW brush for Surfox MAX	included	p. 18
5	54-B 605	DW sleeve	included	p. 18
6	54-B 009	Graphite insert 45 mm	optional	p. 19
7	54-B 043	SURFOX cleaning pad for graphite insert 45 mm	optional	p. 19
8	54-B 180	O-ring 30 x 3.5	optional	p. 19
9	54-B 607	Graphite insert 100 mm	optional	p. 20
10	54-B 608	SURFOX cleaning pad for graphite insert 100 mm	optional	p. 20
11	54-B 609	O-ring for graphite insert 100 mm	optional	p. 20

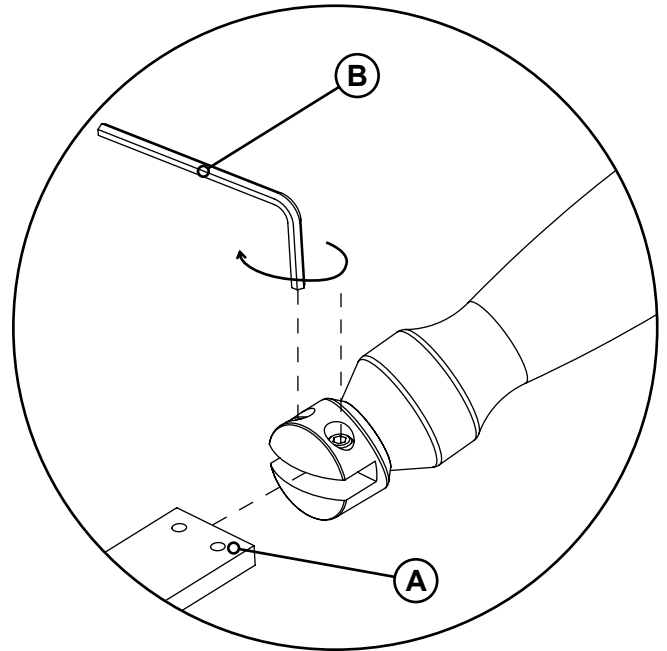
WALTER Customer Service (walter.com) is available for any additional information.

4.2. INSTALLATION OF BRUSH ADAPTOR / INSERT



When installing the adaptor or the inserts, the DW wand must not be connected to the device.

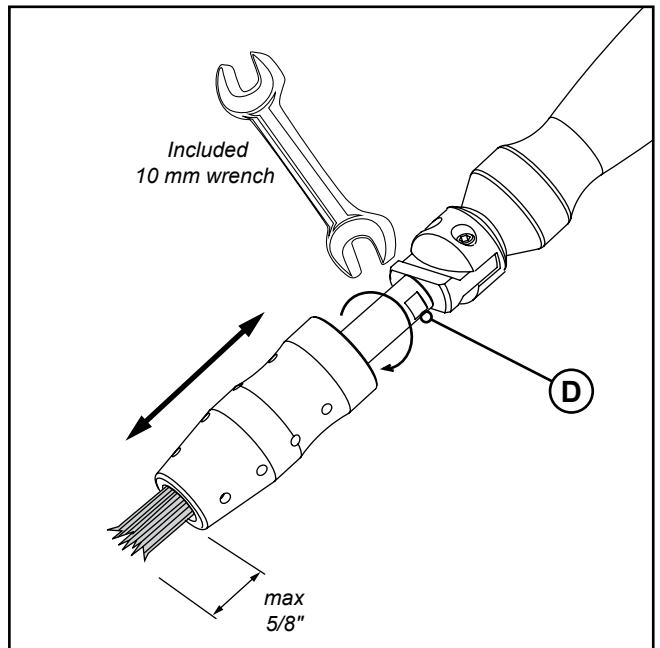
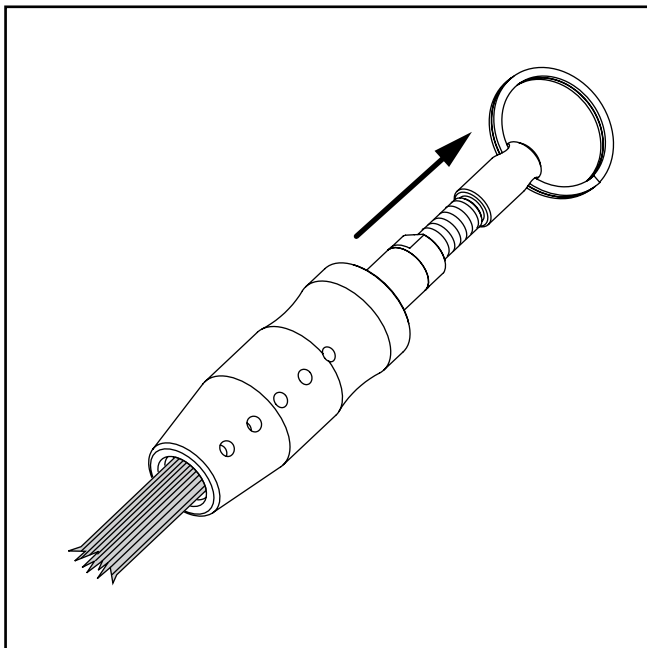
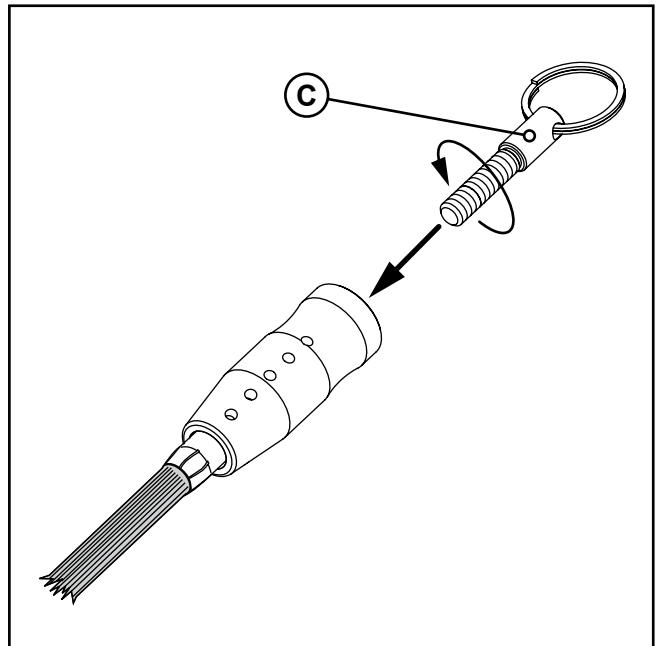
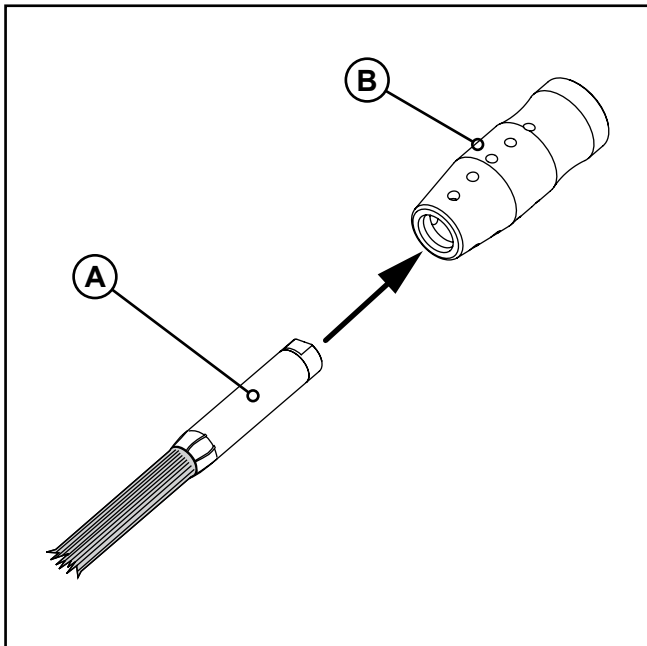
- Take the brush adaptor **54-B 149** or the desired insert.
- In the back of the adaptor (or insert) there are the two countersinks (A) where the DW wand coupling set screws will be tightened.
- Place the adaptor (or insert) on the DW wand coupling and tighten the two set screws with a 2.5 mm hex key (B) (included); make sure the set screws are properly aligned with the countersinks (A).



4.3. MOUNTING DW BRUSH



When installing the brushes, the DW wand must not be connected to the device.

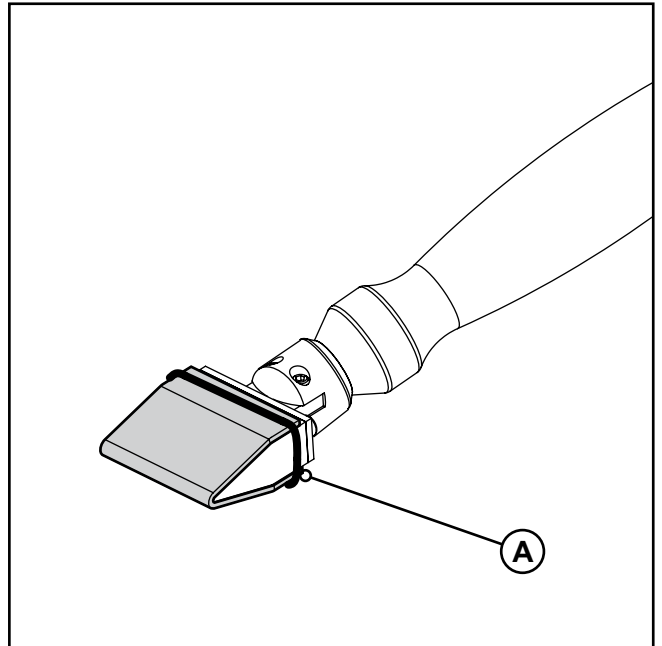
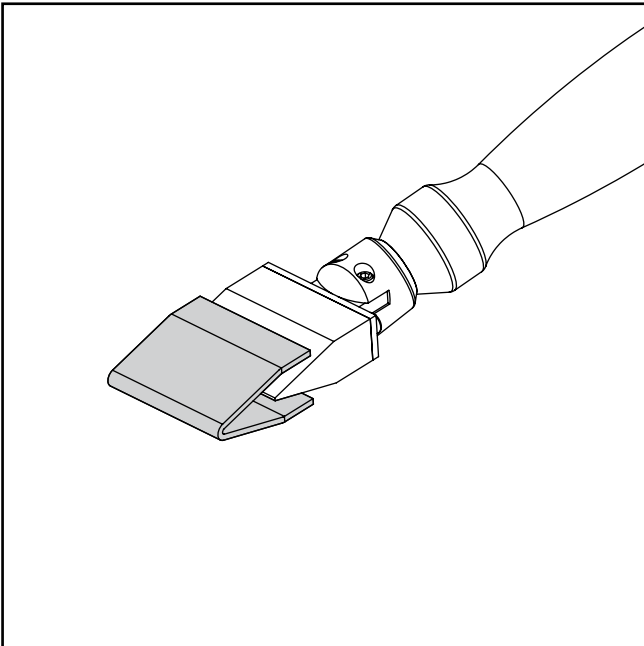


- Install the **54-B 149** brush adaptor (A) on the DW wand (see *chapter 4.2*).
- Insert the **54-B 604** DW brush (A) into the **54-B 605** sleeve (B).
- Screw the threaded coupling of the extraction tool **54-B 618** (C) onto the brush.
- Pull the brush out of the sleeve.
- Remove the extraction tool
- Use the 10 mm wrench (included) to tighten the brush firmly onto the adaptor thread. The brush coupling segment is shaped (D) for easy grip with the wrench.
- Ensure that no more than 5/8" (15 mm) of carbon fiber is exposed.

4.4. MOUNTING PAD ON GRAPHITE INSERT 45 mm



When installing the pads, the DW wand must not be connected to the device.

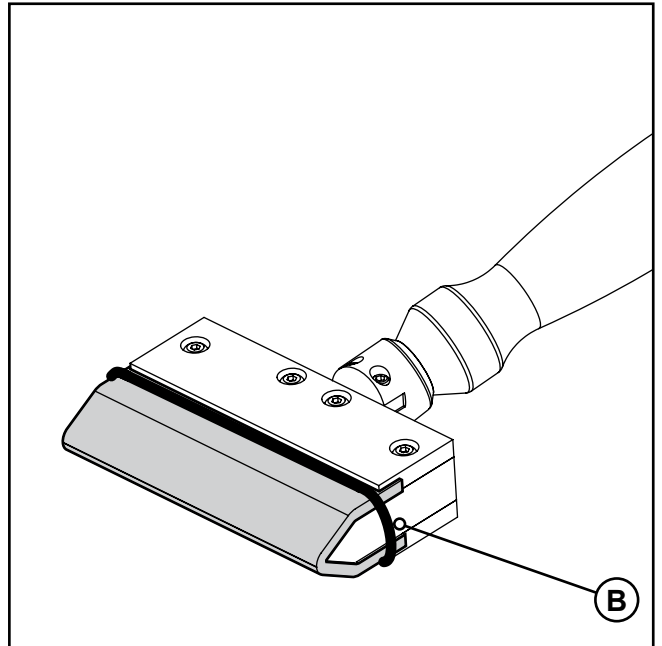
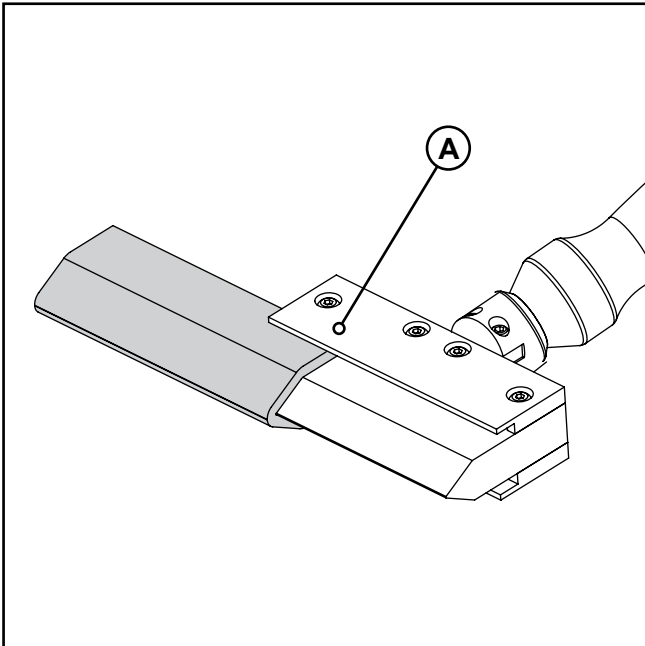


- Install the insert **54-B 009** on the DW wand (see *chapter 4.2*).
- Fold the **54-B 043** pad into a "U" shape and stick it on to the electrode.
- Fasten the **54-B 180** pad in place using the O-ring (A).

4.5. MOUNTING PAD ON GRAPHITE INSERT 100 mm



When installing the pads, the DW wand must not be connected to the device.



- Install the **54-B 607** insert on the DW wand (see *chapter 4.2*).
- Fold the **54-B 608** pad into a "U" shape and slide it into the fins with grooves (A) on the electrode.
- Fasten the pad in place using the **54-B 609** O-ring (B).

5. BEFORE DEVICE STARTUP

5.1. PRECAUTIONS FOR THE USE OF THE DEVICE

To avoid damage to the device, check that:

- The mains voltage corresponds to that supported by the unit (as specified in the technical data and rating plate).
- The surface to be treated is connected to ground with a cable of appropriate thickness.
- All sockets, connectors and cables used with the device are in good working order.
- The electrical system to which the unit is connected is equipped with protection devices against short circuits and current surges. These safety systems must be fully operational.
- The workstation where the device is used must always be kept clean and tidy.
- After processing or during breaks, the clamp for earthing the workpiece or work surface is deactivated.

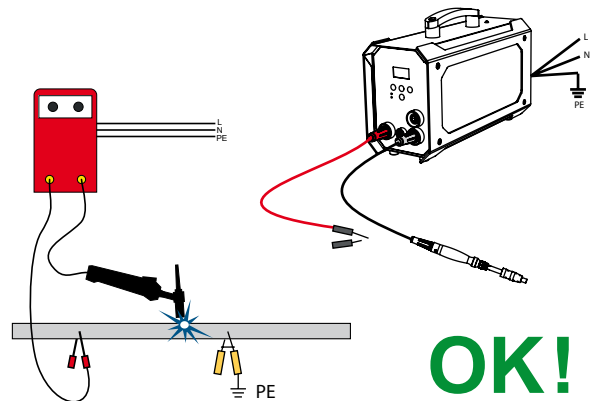
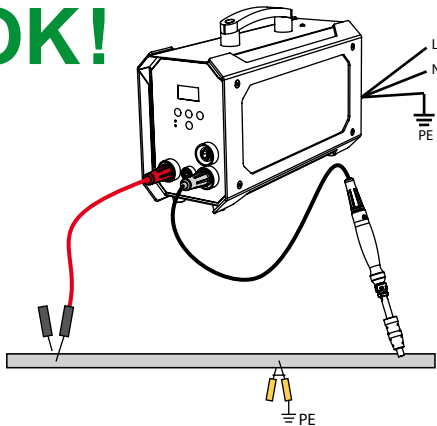
In working environments where there are both welding and pickling stations:

- Do not weld and clean/polish the same workpiece at the same time.
- Disconnect the ground cable from the device during any welding operation.

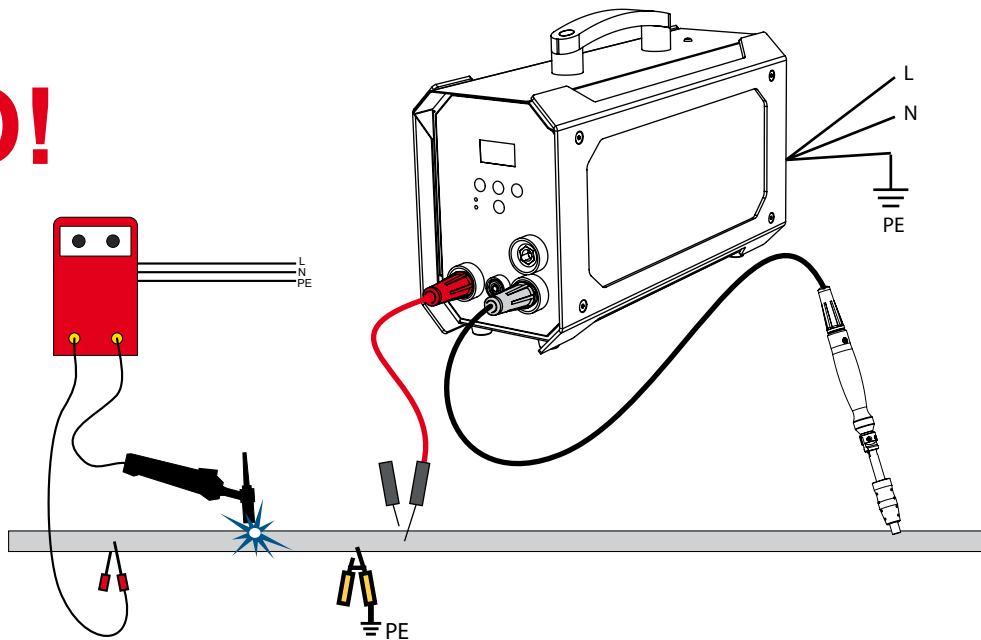


If the operator uses a welding machine while both earthing cables are connected to the surface being processed, the electrical components of the device may be damaged even if the welding torch does not come into contact with the workpiece. In particular, the internal components of the device could be subjected to a high voltage of up to 100 V.

OK!



NO!

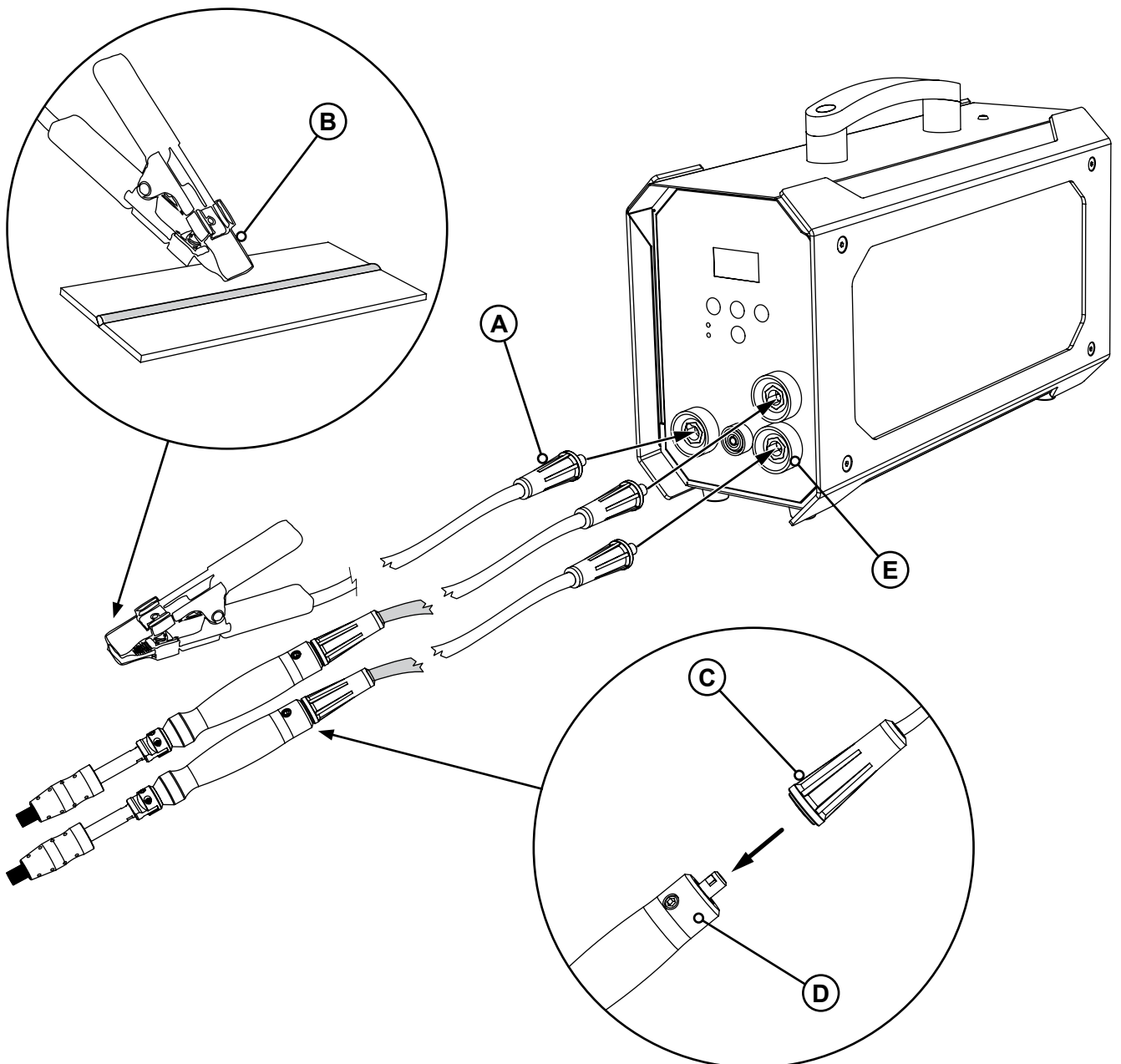


5.2. ELECTRICAL INSTALLATION



Make sure you have read and checked all the precautionary notes in *chapter 5.1*.

- Prepare the DW wand by installing the most suitable accessory for the type of work to be carried out (see *chapter 4*).
- Connect the ground cable connector (A) to the red socket on the front panel of the unit.
- Use the crocodile terminal of the ground cable (B) to grip the piece of stainless steel to be treated.
- Use the supplied cable to carry out the electrical installation of the DW wand; connect the female connector (C) to the DW wand (D) and insert the male connector into one of the designated black sockets on the front panel of the unit (E).
- **The SURFOX MAX can operate with two wands at the same time.** When using a single wand, choose one or the other socket indifferently.
- Connect the device power cord to a suitable socket.



6. CLEANING AND POLISHING OF WELDS

6.1. START OF PROCESSING

Before starting to pickle / polish a piece of stainless steel, check that all the preliminary operations described in *chapter 5* have been carried out correctly.

For its normal operation, the device requires the use of special electrolyte solutions. It is very important to choose the most appropriate liquid for the type of processing to be carried out:

- **SURFOX-T**, an heavy-duty cleaning solution suitable for both pickling and polishing.
- **SURFOX-G**, a pH neutral cleaning solution suitable for pickling only.

Always refer to the product data sheet for detailed indications regarding its field of use. **WALTER Customer Service** (walter.com) is available for any additional information.




Acid solutions are dangerous and can cause damage to people and property: please read carefully the *chapter 1* on the safety regulations and personal protective equipment that must be used when working with these substances.

- Pour the electrolyte solution into the included jar or into a plastic container large enough to hold the insert or brush.
- Fully immerse the insert with pad or brush in the container.

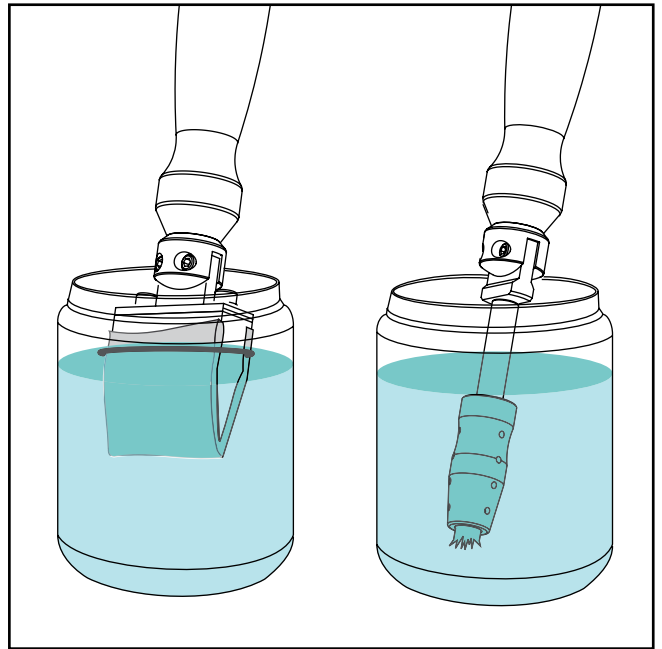


It is important to keep the electrodes always well wet to prevent them from overheating.

- Turn on the device by turning the main switch (located on the rear panel of the unit) to the "I" position.
- Select the desired operating mode by pressing the **MODE** button on the control panel (see *chapter 3.3* for more information).
- Press the  button on the control panel to start the device.



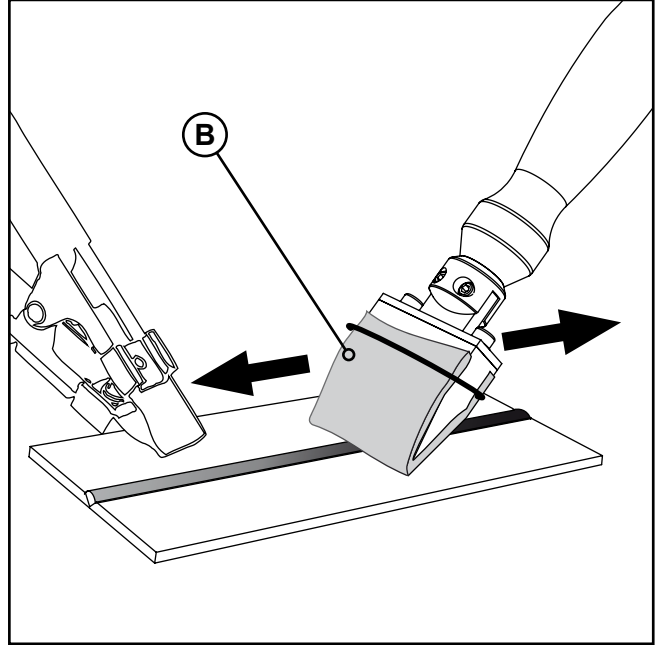
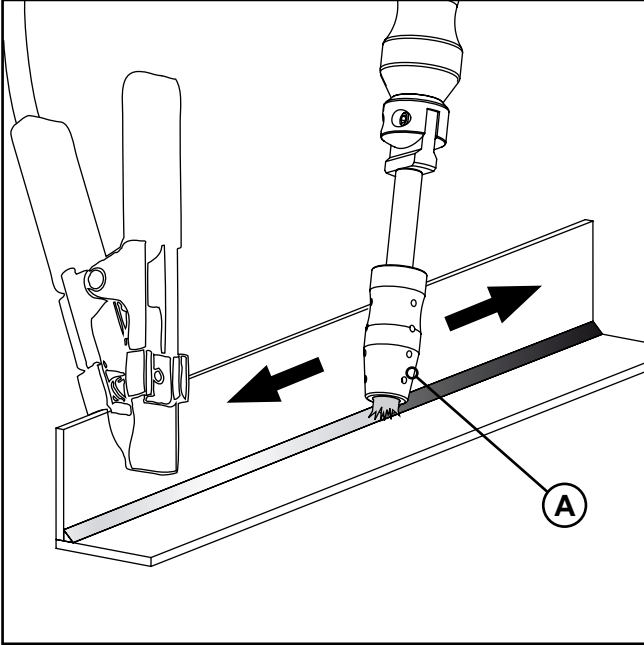
Once started, the device switches off automatically after approximately 30 seconds of inactivity. This is a precautionary measure to prevent the wand from being accidentally powered at the end of processing.



UTILIZATION OF THE INDICATORS ON THE DISPLAY

During processing, bar indicators appear on the display showing in real time the voltage and current supplied by the device (see *chapter 3.1*). When the workpiece is not being touched, no current passes through the wand and the voltage is maintained at half the set voltage. The voltage only starts to rise gradually when work actually starts, thus minimizing the likelihood of arcing or sparking at the point of contact between the brush/insert and the weld to be cleaned/polished.

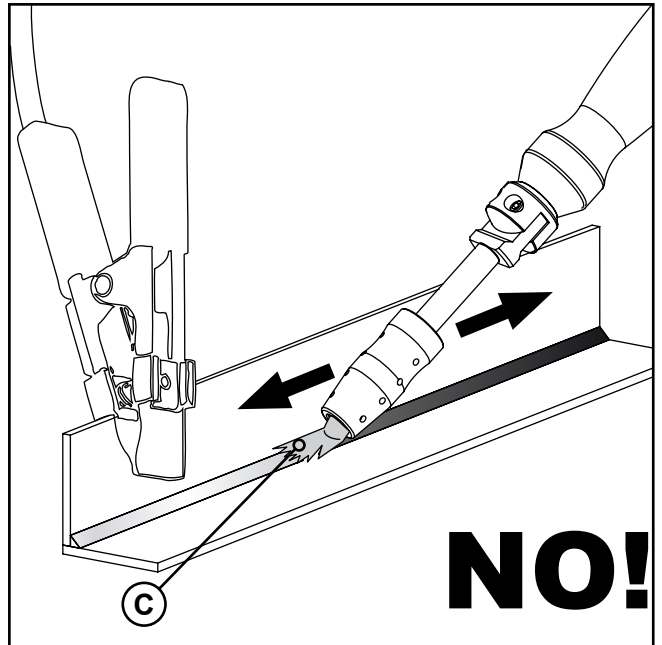
- Start cleaning/polishing by positioning the brush/pad on the stainless steel workpiece.
- Pass the brush/pad over the weld by applying light pressure and continue the process until each sign of oxidation is completely removed. Sparks and foam may form at the contact point between the brush/pad and the weld during processing. This is perfectly normal.
- If necessary, use the – and + buttons on the control panel to adjust the output voltage and to obtain better results (if you change operating mode, the voltage returns to the default level preset by the manufacturer).




- The DW brush (A) is suitable for hard-to-reach welds, while the 100 mm or 45 mm pad (B) is particularly suitable for large welds.



- The polishing process requires a greater amount of electrolyte solution than pickling.
- Always keep the brush/pad well moistened with the electrolyte solution to avoid overheating and a consequent significant reduction in its working life; if there are obvious signs of wear, replace the component immediately.
- If the voltage is increased during processing, the electrolyte solution evaporates more quickly; make sure that the brush or pad is always wet.
- Never use an insert without its matching pad; the insert must never be placed in direct contact with the steel workpiece.
- When carrying out cleaning/polishing, keep the brush perpendicular to the weld and never press the carbon bristles excessively against the surface to be treated (C).
- For best results, periodically adjust the PTFE sleeve of the brush to leave approximately 5/8" (15 mm) of carbon fiber is exposed.

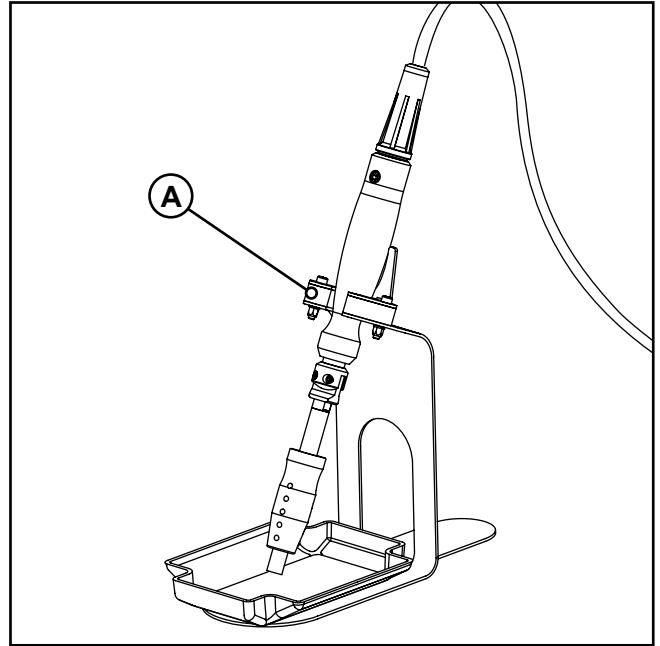


6.2. AFTER PROCESSING

- Press the  button on the control panel to stop the current supply to the DW wand.
- Put the DW wand back in its holder (A).



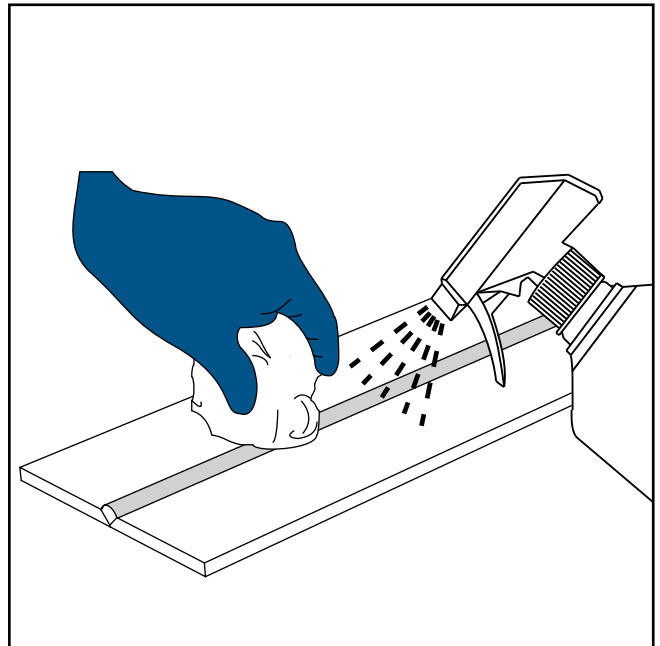
At the end of processing, always store the DW wand and other accessories appropriately. Never place the wand on top of the device during breaks or at the end of processing, as the electrolyte solution could drip from the dampened brush/pad and penetrate inside the unit. Always use the appropriate holder and empty the collection tray when necessary. The device should in any case be kept as clean as possible.



- Disconnect the ground cable crocodile clip from the machined part.
- Wipe out excess of electrolyte solution with a microfiber cloth **54-B 090**.
- Use the SURFOX-N solution on the treated piece.



It is very important to spray the SURFOX-N solution on the workpiece; this product neutralizes any residual electrolyte, thus avoiding the formation of halos and white spots (which can only be eliminated by repeating the entire process). Alternatively, it is possible to clean the surface with an abundant jet of water.



- Rub the surface with a microfiber cloth **57-M 001**.
- Dry the surface using a dry microfiber cloth.

6.3. SHUTDOWN

- Turn off the device by turning the main switch to the "O" position.
- Disconnect the unit plug from the power supply socket.
- Carry out routine maintenance on the device as described in *chapter 8.1*.
- To limit any environmental impact, used pad and used liquids must always be disposed of in accordance with current waste disposal regulations (see *chapter 9* for additional information).

7. MARKING/ETCHING (OPTIONAL)

Thanks to the electrochemical marking/etching Standard Kit **54-B 080** and the screen printing stencils (both optional), the SURFOX MAX can be used to mark stainless steel; with this function you can instantly print any logo on stainless steel. Electrochemical marking/etching uses the principle of electrolysis by **neutral liquids which are neither irritating nor corrosive**.

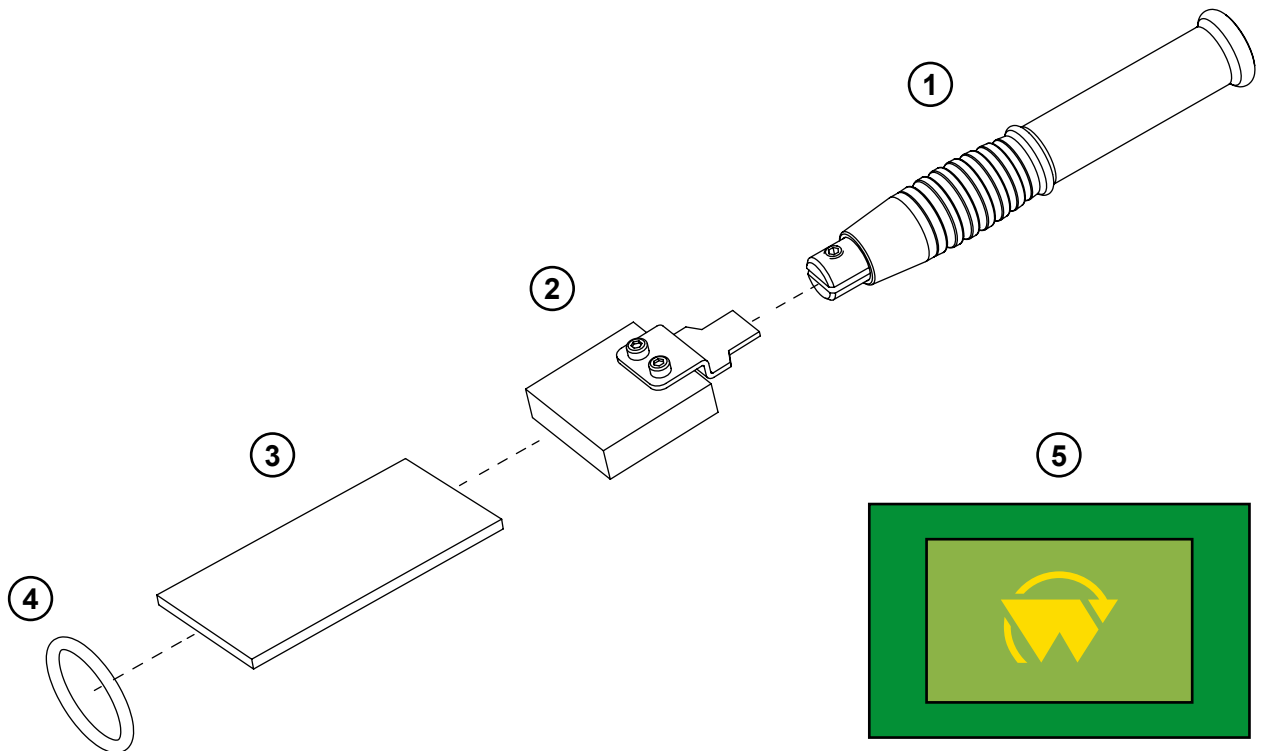
The standard dimensions of a screen-printing stencils range from a minimum of 25x15 mm to a maximum of 257x170 mm. If used correctly, the screen can be used for about 500 markings without having to replace it. However, the duration of the stencils also depends on other important factors such as its size or the density of the background that makes up the graphics.

WALTER also gives you the option of buying the Pro Marking Kit **54-B 081** (compatible only for PC) for making disposable stencils that are particularly suitable for marking serial numbers, logos and CE plates



Only use original marking kits and screens. Uncertified products, such as unsuitable electrolyte solutions or marking inserts and pads not specifically designed for this function, could cause permanent damage to both the device and the workpiece. To purchase the marking kits, custom screen-printing screens or printer, please contact the **WALTER Graphics Division** (walter.com).

7.1. OVERVIEW OF MARKING/ETCHING WAND ACCESSORIES



1	54-B 200	Marking/etching wand	optional	p. 26
2	54-B 088	Marking graphite insert 35 x 10 mm	optional	p. 27
3	54-B 083	Marking pad for graphite insert 35 x 10 mm	optional	p. 27
4	54-B 089	O-ring for graphite insert 35 x 10 mm	optional	p. 27
5	-	Screen-printing stencil	optional	p. 26

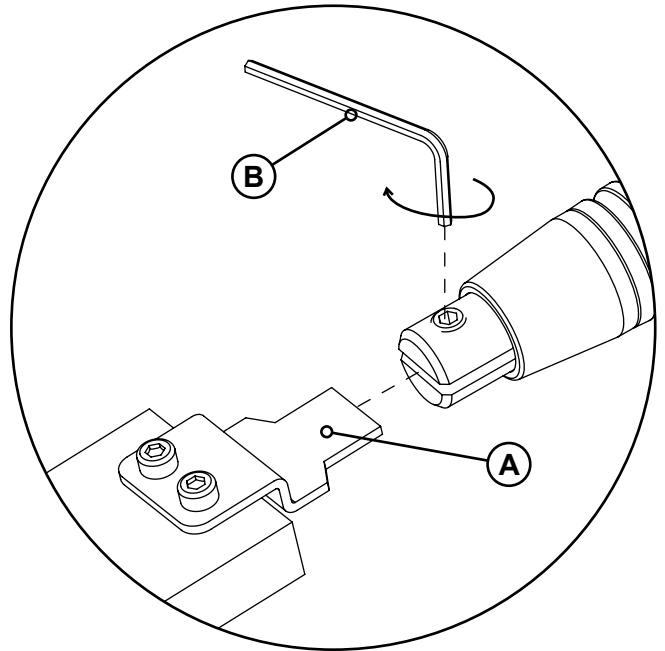
WALTER Customer Service (walter.com) is available for any additional information.

7.2. MARKING INSERT INSTALLATION



When installing the inserts, the marking/etching wand should not be connected to the device.

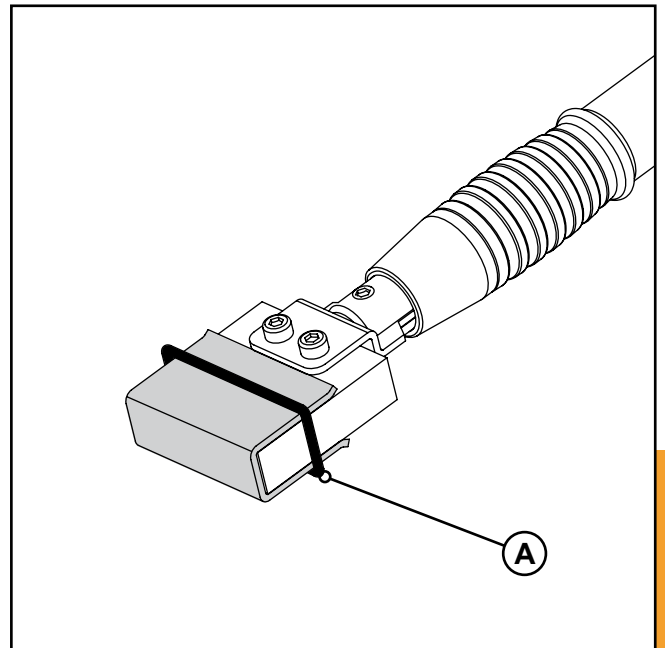
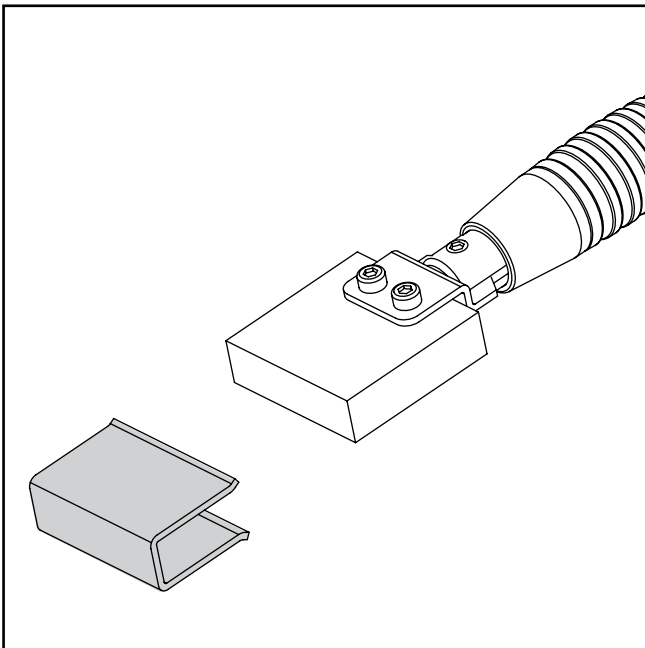
- Take the marking insert **54-B 088**.
- Insert the coupling tab (A) into the appropriate slot in the marking/etching wand.
- Tighten the set screw using a 2.5 mm hex wrench (B).



7.3. MOUNTING A PAD ON THE MARKING INSERT



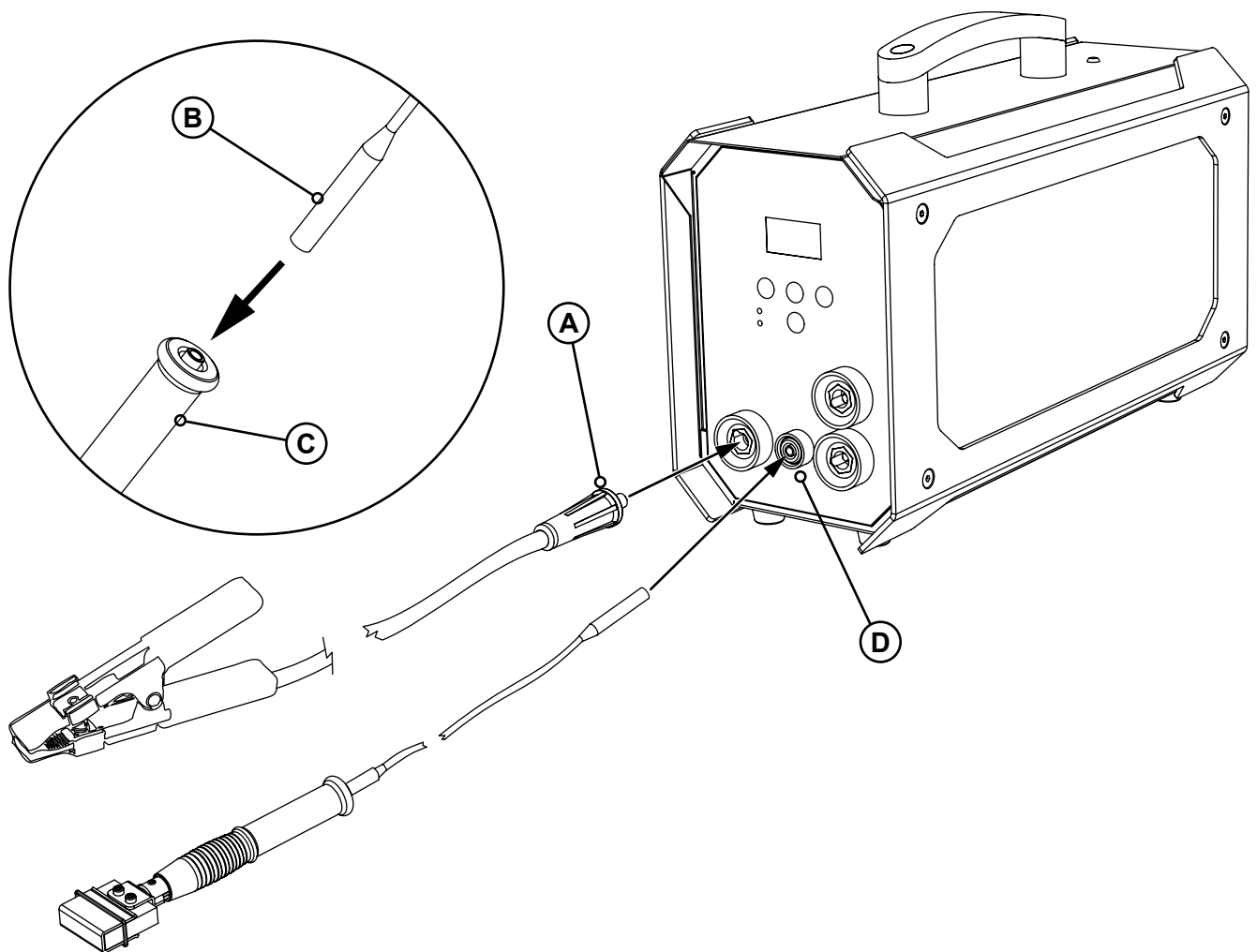
When installing the pad, the marking/etching wand must not be connected to the device.



- Install the **54-B 088** insert on the marking/etching wand (see *chapter 7.2*).
- Fold the **54-B 083** pad into a "U" shape and stick it on to the electrode.
- Fasten the pad in place using the **54-B 089** O-ring (A).

7.4. ELECTRICAL INSTALLATION

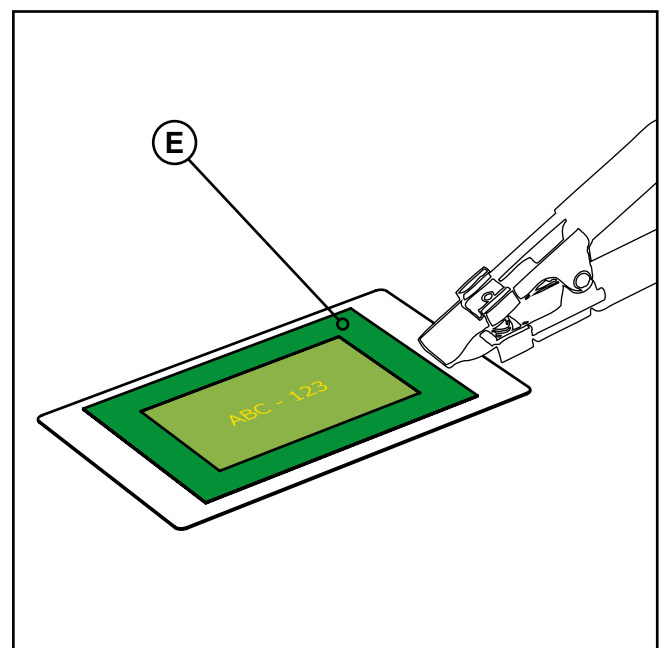
- Connect the ground cable connector (A) to the red socket on the front panel of the unit.
- Use the connecting cable (B) to carry out the electrical installation of the marking/etching wand; connect one end to the appropriate coupling on the wand (C) and the other into the designated socket on the front panel of the device (D).



- Lay the screen-printing stencil (E) on the piece to be marked/etched and check that all the preliminary operations described in *chapter 5* have been carried out correctly. In particular, make sure that the ground cable crocodile clip has been fastened to the stainless steel piece to be treated.



Before using a new screen-printing stencil, it is recommended that you use it on a sample surface to make some test markings in order to fully open its meshes and obtain an optimal image.




7.5. START OF PROCESSING

- Choose the most appropriate liquid according for the type of marking to be carried out:
 - ◇ **SURFOX-M**, for marking; the result will be a dark and high-contrast mark on the workpiece.
 - ◇ **SURFOX-E**, for etching; the result will be a clear, light marking on due to the a spark erosion principle.
- Pour a few drops of electrolyte solution (A) onto the marking pad.



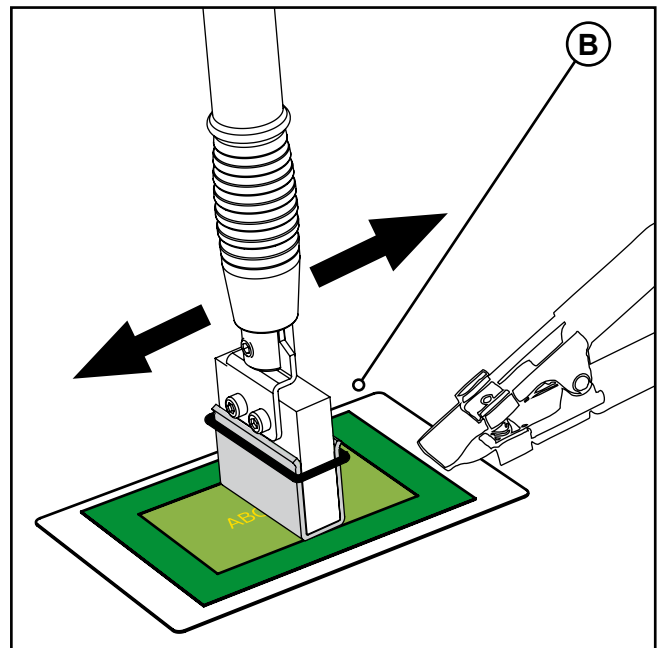
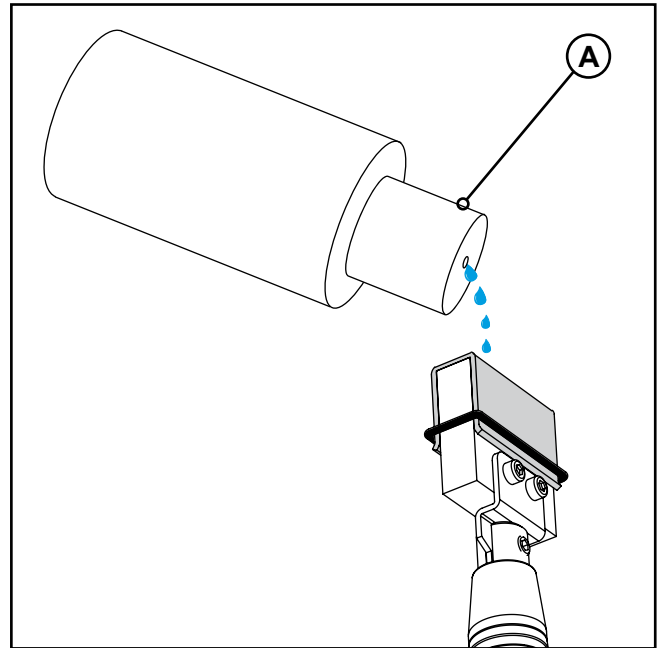
The pad moistened with the electrolytic solution allows about 15 consecutive markings to be made, after which it must be remoistened.

- Turn on the device by turning the main switch (located on the rear panel of the unit) to the "I" position.
- Select the desired operating mode by pressing the **MODE** button on the control panel (see *chapter 3.3* for more information).
- Unlike cleaning and polishing, the marking/etching process with the 35 mm insert requires a minimum amount of current, so it is not necessary to select a particular working voltage.
- Press the  button on the control panel to start the device.




Once started, the device switches off automatically after approximately 30 seconds of inactivity. This is a precautionary measure to prevent the wand from being accidentally powered at the end of processing.

- Repeatedly apply the wet marking pad to the logo or on the text that must be imprinted on the stainless steel surface (B).



- Stay inside the edges of the stencil to avoid marking the steel outside the desired area.
- Always keep the pad well moistened with the electrolytic solution to avoid overheating and consequent significant reduction in its working life; if there are obvious signs of wear, replace the component immediately.
- Never use an insert without its matching pad; the insert must never be placed in direct contact with the stencil.
- The device automatically supplies the appropriate voltage when the marking operating mode is selected. Do not press the **-** and **+** buttons on the control panel to adjust the output power, otherwise a number of problems may occur, such as:
 - ◇ Weak and/or poorly defined markings.
 - ◇ Burns on the marking pad.
 - ◇ Burns on the screen-printing stencil.
 - ◇ Unwanted halos on the workpiece.

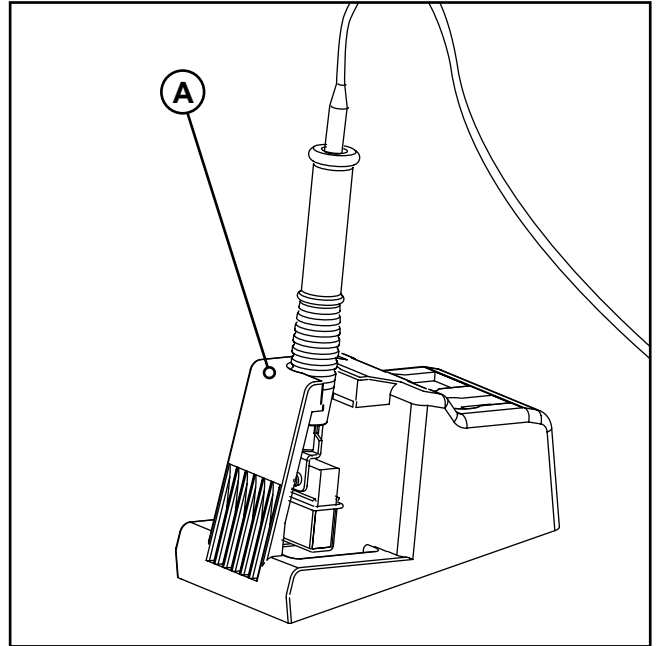
7.6. AFTER PROCESSING

- Press the  button on the control panel to stop the current supply to the marking/etching wand.
- Put the wand back in its holder (A).



At the end of processing, always store the wand and other accessories appropriately. If the wand should remain accidentally powered while resting on the treated piece, the electrochemical marking process would continue on each portion of stainless steel in contact with the pad and would permanently damage it.

Never place the wand on top of the device during breaks or at the end of processing, as the electrolyte solution could drip from the dampened pad and penetrate inside the unit. Always use the appropriate holder and empty the collection tray when necessary. The device should in any case be kept as clean as possible.



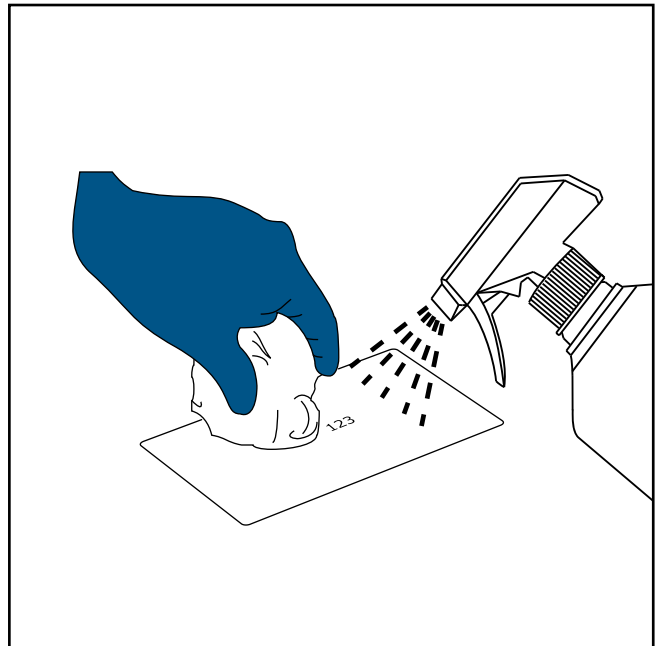
- Disconnect the ground cable crocodile clip from the machined part.
- Use the SURFOX-N solution on the treated piece.



It is very important to spray the SURFOX-N solution on the workpiece; this product neutralizes any residual marking solution, thus avoiding the formation of halos and white spots.

Alternatively, it is possible to clean the surface with an abundant jet of water.

- Rub the surface with a microfiber cloth dampened with clean water.
- Dry the surface using a dry microfiber cloth.



7.7. SHUTDOWN

- Turn off the device by turning the main switch to the "O" position.
- Disconnect the unit plug from the power supply socket.
- Carry out routine maintenance on the device as described in *chapter 8.1*.
- To limit any environmental impact, used pad and used liquids must always be disposed of in accordance with current waste disposal regulations (see *chapter 9* for additional information).

8. MAINTENANCE

Maintenance must be performed on the device only by qualified technicians authorized by the manufacturer.

WALTER is not liable for loss or damage caused to the device during repair operations carried out by personnel not specifically trained for this task.

The manufacturer also assumes no liability in the case of use of non-original parts or accessories during maintenance work; any direct or indirect loss or damage caused by such conduct is entirely the liability of the customer.



It is important to always proceed with extreme caution during maintenance operations, remembering to:

- Switch the main switch to the "O" position.
- Disconnect the device from the mains.
- If maintenance operations require the device to be opened, always take the utmost care in handling the internal parts, especially if it is suspected that there is a loss of electrolyte solution from the hydraulic circuit.
- Be careful when removing components inside the device as the plates and supports may have sharp edges.

It is recommended that you consult *chapter 1*, where all the safety regulations are detailed so that you can work on the device while also minimizing risks.

8.1. ROUTINE MAINTENANCE

BEFORE EACH WORK SHIFT

- Check all components of the device for wear and replace them if necessary; use only original spare parts.
- Ensure that the sockets, connectors and cables used are in good condition; the reliability of all electrical equipment must always be guaranteed.
- Keep the ventilation slots on the unit clean to ensure that these openings are not obstructed by any obstacles. Keep enough space around the device to ensure proper ventilation.

CLEANING PROCEDURES AT THE END OF THE WORK SHIFT

It's important to keep the device as clean as possible.

- Remove the brushes/pads from the adaptor/insert to prevent the formation of incrustations on the electrode due to the evaporation of the electrolyte solution.
- Neutralize all these tools with the SURFOX-N solution.
- After neutralizing, always rinse the brushes/pads with clean water and dry them with a dry microfiber cloth.
- If the brushes/pads show obvious signs of wear or burns, replace them immediately.
- Once cooled, clean the wand insert and tip with running water to prevent the formation of incrustations.
- Clean dust and dirt deposits on the outside of the unit.
- Keep air vents clean and free of any obstructions.
- Clean the power cord to prevent deterioration and check for possible damage to the cord and plug.

8.2. EXTRAORDINARY MAINTENANCE

Extraordinary maintenance operations are usually carried out by specialized technicians of the **WALTER** company or by its network of authorized service centers.

9. DISPOSAL AND SCRAPPING



Act to ensure maximum environmental protection.
Dispose of residual waste in compliance with Federal, Provincial, State and local environmental regulations.

9.1. PACKAGING

This type of waste is similar to urban waste and can be disposed of in municipal waste centers without posing an increased threat to humans and the environment.

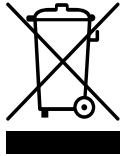
9.2. USED PADS

They are special waste and must be disposed of in accordance with applicable laws.

9.3. WASTE LIQUIDS

During the processing (cleaning and polishing) heavy metals are deposited in the electrolytic solutions used: therefore used liquids are to be considered special waste and must be disposed of according to the laws in force in the country of use. Refer to **WALTER** Safety Data Sheet of the SURFOX electrolyte cleaning solutions.

9.4. OBSOLETE DEVICES AND EQUIPMENT



They are to be considered special waste, to be scrapped according to type. With reference to Directive EC-2002/96 on waste electrical and electronic equipment (WEEE), the user, when disposing of material, must separate the electrical and electronic components and dispose of them in appropriate authorized collection centers, or return them to the seller with the product still installed.

10. DECLARATION OF CONFORMITY

Exova
121 Boulevard Hymus
Pointe-Claire
Québec
Canada
H9R 1E6

T: +1 (514) 697-3273
F: +1 (514) 697-2090
C: ventes@exova.com
W: www.exova.com



TEST CERTIFICATE

J. WALTER COMPANY LTD. 5977 TRANS CANADA HIGHWAY POINTE-CLAIRE, Québec H9R 1C1 Requested by Nathalie Vézina X2848	Sample #: 48840 Lab #: 22156 COA #: 23756 Issue #: 2 Date: 2013-02-15	Material: NA Shape: NA Condition: Not Applicable
--	--	---

PO 230113NV **Customer's ID:** 2 samples 3" X 3" pre-passivated and identified as SURFOX-G sample 1 & 2 **Material:** Stainless steel panels

Description: Samples received were cleaned and passivated per ASTM A-380

Label: SURFOX-G sample 1		SALT SPRAY	
Parameter	Unit	Result	
# of Samples		2	
Specimen type		Panels	
Dimensions	inch.	3X3	
Exposure zone temperature	°F	92-97	
Exposure period	hrs	2.5	
Angle		15-30°	
pH		6.5-7.2	
Solution Concentration	% NaCl	4-6	
Collection Rate	ml/hr/80cm²	1.0-2.0	
Type of water	ASTM	Type IV	
Purity of salt		99.95%	
Copper content	ppm	< 0.3	
Total other impurities		< 0.3%	
Halides content		< 0.1%	
Observation		See comments	

Tested in Accordance To ASTM B117-11

SALT SPRAY test in accordance with ASTM A967-05 practice C.

After 2.5 hour exposition in the salt spray chamber:

Surfox- G sample 1: No rust present

Surfox- G sample 2: No rust present

Issue 2: To correct sample identification from issue 1, dated 2013-02-08

Exova
121 Boulevard Hymus
Pointe-Claire
Québec
Canada
H9R 1E6

T: +1 (514) 697-3273
F: +1 (514) 697-2090
C: ventes@exova.com
W: www.exova.com



TEST CERTIFICATE

J. WALTER COMPANY LTD. 5977 TRANS CANADA HIGHWAY POINTE-CLAIRE, Québec H9R 1C1 Requested by Nathalie Vézina X2848	Sample #: 48840 Lab #: 22156 COA #: 23756 Issue #: 2 Date: 2013-02-15	Material: NA Shape: NA Condition: Not Applicable
--	--	---

PO	230113NV	Customer's ID:	2 samples 3" X 3" pre-passivated and identified as SURFOX-G sample 1 & 2	Material:	Stainless steel panels
-----------	----------	-----------------------	--	------------------	------------------------

Description: Samples received were cleaned and passivated per ASTM A-380

Label: SURFOX-G sample 1

TECHNICAL SERVICES **

WATER IMMERSION TEST as per ASTM A967-05 practice A

The samples were immersed in distilled water for 1h, followed by a drying period of 1 h in a dessicator. This cycle was repeated 12 times. Test results

Surfox-G sample 1: No metallic iron particles were observed on the test zone at the end of the cycles.

Surfox-G sample 2: No metallic iron particles were observed on the test zone at the end of the cycles.

HUMIDITY TEST as per ASTM A967-05 Practice B.

The samples were cleaned with acetone and dried in a dessicator. They were then exposed to 100% humidity (38±3 °C) for 24 hours. Test results :

Surfox-G sample 1: No rust observed on the tested zone at the end of exposure.

Surfox-G sample 2: No rust observed on the tested zone at the end of exposure.

COPPER SULFATE TEST in accordance with ASTM A967-05 practice D.

The test solution was prepared by dissolving 4 grams of copper sulfate in 250 ml of water, to which 1 ml of sulfuric acid was added.

The test solution was swabbed on the samples and were to keep them humid for at least 6 minutes. Test results:

Surfox-G sample 1: No copper deposit observed on the tested zone.

Surfox-G sample 2: No copper deposit observed on the tested zone.

POTASSIUM FERRICYANIDE-NITRIC ACID TEST in accordance with ASTM A967-05 practice E.

The test solution was prepared by adding 10g of chemically pure potassium ferricyanide to 500ml of distilled water , adding 30 mL of 70% nitric acid, agitating until all of ferricyanide was dissolved, and diluting to 1000 mL with distilled water. The test solution was swabbed on the surface of the samples. Test results :

Surfox-G sample 1: There was no formation of a dark blue color within 30s on the tested zone.

Surfox-G sample 2: There was no formation of a dark blue color within 30s on the tested zone.

Each test was performed on separate samples.

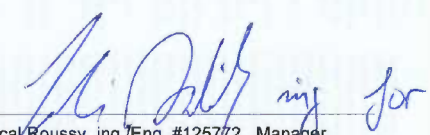
Issue 2: To correct sample identification from issue 1, dated 2013-02-08

Aerospace/military samples shall be retained for 6 months, other samples, see contract terms and conditions.

The recording of false, fictitious or fraudulent statements or entries on this document may be punished as a felony under federal law.

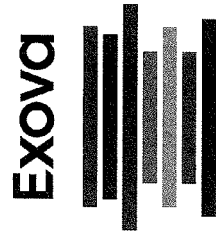
* Denotes the laboratory is accredited to the identified test method by ISO 17025 but not by NadCap.

** Denotes the laboratory is not accredited to the identified test method by ISO 17025 or NadCap.


Pascal Roussy, ing./Eng. #125772, Manager,
Metallurgy and Mechanical Testing

Exova
 121 Boulevard Hymus
 Pointe-Claire
 Québec
 Canada
 H9R 1E6

T: +1 (514) 697-3273
 F: +1 (514) 697-2090
 C: ventes@exova.com
 W: www.exova.com



TEST CERTIFICATE

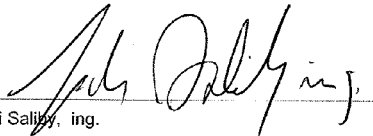
J. WALTER COMPANY LTD. 5977 TRANS CANADA HIGHWAY POINTE-CLAIRE, Québec H9R 1C1 Requested by Nathalie Vézina X2848	Sample #: 31067 Lab #: 13887 COA #: 15164 Issue #: 1 Date: 2010-11-19	Material: NA Shape: NA Condition: Not Applicable
--	--	---

PO	08112010-NV	Client's ID	8 test panels 3" X 10" - 4 panels identified as Surfox-H and 4 panels identified as Surfox-T	Description	Samples received were cleaned and passivated per ASTM A380
-----------	-------------	--------------------	--	--------------------	--

Label: Surfox-H and T	TECHNICAL SERVICES **
------------------------------	------------------------------

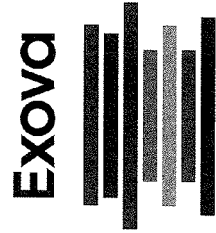
WATER IMMERSION TEST as per ASTM A967-05 practice A
 The two samples were immersed in distilled water for 1h, followed by a drying period of 1 h in a dessicator
 This cycle was repeated 12 times
 Observation after the test :
 Surfox-H : No metallic iron particles were observed in the test zone at the end of the cycles.
 Surfox-T : No metallic iron particles were observed in the test zone at the end of the cycles.

Aerospace/military samples shall be retained for 6 months, other samples, see contract terms and conditions.
 The recording of false, fictitious or fraudulent statements or entries on this document may be punished as a felony under federal law.
 * Denotes the laboratory is accredited to the identified test method by ISO 17025 but not by NadCap.
 ** Denotes the laboratory is not accredited to the identified test method by ISO 17025 or NadCap.


 Fadi Saliby, ing.

Exova
121 Boulevard Hymus
Pointe-Claire
Québec
Canada
H9R 1E6

T: +1 (514) 697-3273
F: +1 (514) 697-2090
C: ventes@exova.com
W: www.exova.com



TEST CERTIFICATE

J. WALTER COMPANY LTD. 5977 TRANS CANADA HIGHWAY POINTE-CLAIRE, Québec H9R 1C1 Requested by Nathalie Vézina X2848	Sample #: 31068 Lab #: 13887 COA #: 15165 Issue #: 1 Date: 2010-11-19	Material: NA Shape: NA Condition: Not Applicable
--	--	---

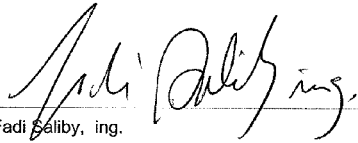
PO	08112010-NV	Client's ID	8 test panels 3" X 10" - 4 panels identified as Surfox-H and 4 panels identified as Surfox-T	Description	Samples received were cleaned and passivated per ASTM A380
-----------	-------------	--------------------	--	--------------------	--

Label: Surfox-H and T	TECHNICAL SERVICES **
------------------------------	------------------------------

HUMIDITY TEST as per ASTM A967-05 Practice B.
The two samples were cleaned with acetone and dried in a dessicator. They were then exposed to 100% humidity (38±3 °C) for 24 hours.

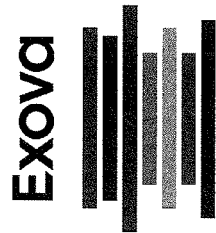
Test results :
Surfox-H : No rust observed
Surfox-T : No rust observed

Aerospace/military samples shall be retained for 6 months, other samples, see contract terms and conditions.
The recording of false, fictitious or fraudulent statements or entries on this document may be punished as a felony under federal law.
* Denotes the laboratory is accredited to the identified test method by ISO 17025 but not by NadCap.
** Denotes the laboratory is not accredited to the identified test method by ISO 17025 or NadCap.


Fadi Saliby, ing.

Exova
 121 Boulevard Hymus
 Pointe-Claire
 Québec
 Canada
 H9R 1E6

T: +1 (514) 697-3273
 F: +1 (514) 697-2090
 C: ventes@exova.com
 W: www.exova.com



TEST CERTIFICATE

J. WALTER COMPANY LTD. 5977 TRANS CANADA HIGHWAY POINTE-CLAIRE, Québec H9R 1C1 Requested by Nathalie Vézina X2848	Sample #: 31069 Lab #: 13887 COA #: 15166 Issue #: 1 Date: 2010-11-19	Material: NA Shape: NA Condition: Not Applicable
--	--	---

PO	08112010-NV	Client's ID	8 test panels 3" X 10" - 4 panels identified as Surfox-H and 4 panels identified as Surfox-T	Description	Samples received were cleaned and passivated per ASTM A380
-----------	-------------	--------------------	--	--------------------	--

Label: Surfox-H and T		SALT SPRAY	
Parameter	Unit	Result	
# of Samples		2	
Specimen type		Panels	
Dimensions	inch.	3X10	
Exposure zone temperature	°F	92-97	
Exposure period	hrs	3	
Angle		15-30°	
pH		6.5-7.2	
Specific gravity		1.0255-1.040	
Collection Rate	ml/hr/80cm ²	1.0-2.0	
Type of water	ASTM	Type IV	
Purity of salt		99.95%	
Copper content	ppm	< 0.3	
Total other impurities		< 0.3%	
Halides content		< 0.1%	
Observation		See comments	

Tested in Accordance To SOP-54-009-93 (ASTM B117-09)

SALT SPRAY test in accordance with ASTM A967-05 practice C.

After 2 hour exposition in the salt spray chamber:

Surfox-H: No rust present

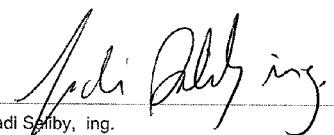
Surfox-T: No rust present

Aerospace/military samples shall be retained for 6 months, other samples, see contract terms and conditions.

The recording of false, fictitious or fraudulent statements or entries on this document may be punished as a felony under federal law.

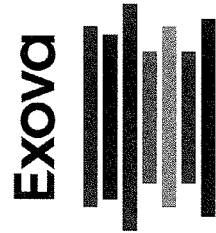
* Denotes the laboratory is accredited to the identified test method by ISO 17025 but not by NadCap.

** Denotes the laboratory is not accredited to the identified test method by ISO 17025 or NadCap.


 Fadi Saibby, ing.

Exova
121 Boulevard Hymus
Pointe-Claire
Québec
Canada
H9R 1E6

T: +1 (514) 697-3273
F: +1 (514) 697-2090
C: ventes@exova.com
W: www.exova.com



TEST CERTIFICATE

J. WALTER COMPANY LTD. 5977 TRANS CANADA HIGHWAY POINTE-CLAIRE, Québec H9R 1C1 Requested by Nathalie Vézina X2848	Sample #: 31070 Lab #: 13887 COA #: 15167 Issue #: 1 Date: 2010-11-19	Material: NA Shape: NA Condition: Not Applicable
--	--	---

PO	08112010-NV	Client's ID	8 test panels 3" X 10" - 4 panels identified as Surfox-H and 4 panels identified as Surfox-T	Description	Samples received were cleaned and passivated per ASTM A380
-----------	-------------	--------------------	--	--------------------	--

Label: Surfox-H and T	TECHNICAL SERVICES **
------------------------------	------------------------------

COPPER SULFATE test in accordance with ASTM A967-05 practice D.

The test solutin was prepared by dissolving 4 grams of copper sulfate in 250 ml of water, to which 1 ml of sulfuric acid was added. The test solution was swabbed on the two samples and were to keep them humid for at least 6 minutes.

Test results:

Surfox-H :No copper deposit observed
Surfox-T :No copper deposit observed

Aerospace/military samples shall be retained for 6 months, other samples, see contract terms and conditions.
The recording of false, fictitious or fraudulent statements or entries on this document may be punished as a felony under federal law.
* Denotes the laboratory is accredited to the identified test method by ISO 17025 but not by NadCap.
** Denotes the laboratory is not accredited to the identified test method by ISO 17025 or NadCap.


Fadi Saliby, ing.

11. GENERAL WARRANTY CONDITIONS

- The SURFOX MAX and its accessories are inspected and tested before shipment and are warranted to be free from any defect in material and faulty workmanship
- Devices built by **WALTER** are guaranteed against defects in material and construction for a period of 24 months after the date of original purchase.
- If an examination shows that the malfunction was caused by defective material or faulty workmanship, **WALTER** will repair (or at our option, replace the unit) without charge.
- In the event of improper use, **WALTER** will not be liable for any of the following:
 - ◊ Personal injury (minor, moderate, or fatal) to the user or a third party.
 - ◊ Damage to property in the vicinity of the device or damage to the device itself.
 - ◊ Device performance below expectations.
 - ◊ Use in violation of applicable regulations.
 - ◊ Incorrect installation of the device.
 - ◊ Use of a power supply that does not comply with the equipment specifications.
 - ◊ Serious lack of maintenance.
 - ◊ Unauthorized modifications or adjustments.
 - ◊ Use of non-original spare parts or spare parts not specific to this model range.
 - ◊ Use of liquids that are not recommended by **WALTER** or not specific to this model range.
 - ◊ Failure, in whole or in part, to follow the instructions.
 - ◊ Exceptional conditions.
 - ◊ Other improper uses.
- Work covered by the warranty will be carried out at the **WALTER** Factory or Authorized Service Center on the following terms:
 - ◊ The warranty does not apply when normal maintenance is required.
 - ◊ Freight, packaging and shipping costs are always for the user's account and goods travel at the user's risk; we must receive the material freight prepaid and suitably packed.
 - ◊ The warranty does not apply to products which have been dismantled, repaired or in any way tampered with by unauthorized staff, or if the serial number has been removed or modified.
 - ◊ Failures deriving from knocks, negligence, improper use, incorrect power supply or correction errors are not covered by the warranty.
 - ◊ The warranty does not cover any damage caused by accidents, modifications, use of improper accessories, abuse or misuse, which also includes overloading the tool beyond its rated capacity as well as its continued use after partial failure.
 - ◊ The device's expandable accessory components are not covered by the warranty.
 - ◊ The warranty covers the materials and labor necessary for the replacement operations. Freight, traveling expenses etc. are not included and will be billed at cost.
- No other warranty, written or verbal, is authorized.
- In no event shall **WALTER** be liable for any indirect, incidental or consequential damages from the sale of the product. This disclaimer applies both during and after the term of this warranty.
- This warranty gives you specific rights. The provisions contained in this warranty are not intended to limit, modify, take away from, disclaim or exclude any warranties set forth in any Provincial or State legislation. To the extent required by law, the provisions in any Provincial, State or Federal legislation with respect to warranties take precedence over the provisions in this warranty.

12. REPAIR AND SERVICE

- After the warranty period, our after-sales service will be at the customer's disposal for any adjustments and/or repairs to the devices we have produced. The relative costs will be submitted for approval in the form of a quotation (if requested) or billed on a time and materials basis.
- If it is necessary to return the SURFOX MAX to the **WALTER** Factory or Authorized Service Center, all the equipment should be carefully prepared and packed to ensure safe shipment:
 - ◇ Clean, neutralize and dry all accessories.
 - ◇ Clean the unit.
 - ◇ Use original shipping case.
 - ◇ Use sufficient packing.
 - ◇ Ship on a small pallet.
 - ◇ Be sure to include a shipping document with a detailed description of the problem, company name, address, phone and fax numbers, and contact person.



Collect all liquid in a suitable acid-resistant container.

WALTER is not liable for any loss or damage to persons or property due to the leakage of electrolyte solution from the cleaning accessories during packing operations and shipping to service centers.

13. TECHNICAL SPECIFICATIONS

Model	SURFOX MAX	
Part number	54-D 096	54-D 095
Input voltage	120 V - 50/60 Hz	230 V - 50/60 Hz
Input power	1200 W	2400 W
Input current	10 A	
Output voltage	3÷30 V	
Output voltage adjustment	1 V	
Insulation class	IP21S	
Noise level	<65 dB (A)	
Weight (empty)	20 lb (9.2 kg)	
Dimensions	6.1" x 10.8" x 16.1" (155 x 275 x 410 mm)	
Wands	DW wand Marking wand *	
Functions	Cleaning Polishing Marking	

* optional



Walter Surface Technologies Inc.
810 Day Hill Road
Windsor, CT 06095, USA
Phone: 860-298-1100
Customer Service: 800-522-0321
Technical Support: 1-866-592-5837

SURFOX MAX

MANUEL D'UTILISATION



SURFOX
site internet

TABLES DES MATIÈRES

1. Sécurité	5
1.1. Équipements de protection personnelle (EPI)	6
1.2. Systèmes de protection intégrés dans l'appareil	8
1.3. Risques résiduels	8
1.4. Mesures de premiers secours	8
2. Caractéristiques de l'appareil	9
2.1. Champs d'application	9
2.2. Principes de base de passivation	9
2.3. Transport et stockage du dispositif	9
2.4. Composants de l'appareil	10
2.5. Comment assembler le porte-baguettes	12
3. Panneau de commande	13
3.1. Description générale	13
3.2. Changer la langue	13
3.3. Structure du menu	14
3.4. Messages d'alarme	15
4. Accessoires de montage sur la baguette DW	16
4.1. Aperçu des accessoires baguette DW	16
4.2. Installation adaptateur brosse/insert	17
4.3. Montage de la brosse DW	18
4.4. Montage du tampon sur l'insert graphite 45 mm	19
4.5. Montage du tampon sur l'insert graphite 100 mm	20
5. Avant de démarre l'appareil	21
5.1. Précautions d'utilisation de l'appareil	21
5.2. Installation électrique	22
6. Nettoyage et polissage des soudures	23
6.1. Démarrer le traitement	23
6.2. Après le traitement	25
6.3. Coupure	25
7. Marquage/Gravure (en option)	26
7.1. Aperçu des accessoires baguette de marquage/gravure	26
7.2. Installation des pochoirs	27
7.3. Montage d'un tampon sur l'insert de marquage	27
7.4. Installation électrique	28
7.5. Démarrer le traitement	29
7.6. Après le traitement	30
7.7. Coupure	30
8. Entretien	31
8.1. Entretien de routine	31
8.2. Entretien extraordinaire	31
9. Élimination et mise au rebut	32
9.1. Emballage	32
9.2. Tampons usagés	32
9.3. Déchets liquides	32
9.4. Appareils et équipements obsolètes	32
10. Déclaration de conformité	33
11. Conditions générales de garantie	39
12. Réparation et Service	40
13. Spécifications techniques	41

Il faut lire attentivement les instructions de ce manuel avant toute opération.

Ce manuel fournit les informations principales pour une installation, un démarrage, un fonctionnement et une maintenance adéquats et sûrs de l'appareil.

Ce manuel est destiné à familiariser l'utilisateur avec cet appareil, ses caractéristiques particulières, ses applications, ses limitations et les suggestions et recommandations du fabricant.

Le manuel fait partie intégrante de l'appareil et doit être stocké avec soin jusqu'au démontage de l'appareil.

Ce manuel reflète l'état de l'appareil au moment de la livraison et ne peut pas être considéré comme inapproprié simplement en raison de mises à jour ultérieures basées sur une expérience supplémentaire.

Cet appareil est construit avec une durabilité supplémentaire pour résister aux lourdes exigences de l'utilisation industrielle. Cependant, comme tout équipement électrique, des précautions et une sécurité doivent toujours être prises lors de l'utilisation et de l'entretien de cet investissement précieux. Avec des soins et un entretien appropriés, votre appareil offrira des années de service fiable.

LE SERVICE D'ASSISTANCE CLIENTÈLE DE WALTER (walter.com) est à votre disposition pour fournir toute information sur le produit et pour l'utilisateur.



1. SÉCURITÉ



Le SURFOX MAX de **WALTER** est produit conformément aux normes applicables régissant la fabrication, la performance et la sécurité des produits industriels.



Toutes les personnes chargées de l'installation, du fonctionnement, de l'entretien et de la réparation de l'appareil doivent posséder les qualifications techniques appropriées et doivent se conformer méticuleusement aux dispositions de ce manuel d'utilisation.

Pour réduire les risques d'incendie, de choc électrique et de blessures, toujours suivre les consignes de sécurité de base lors de l'utilisation de cet équipement.

OBLIGATIONS DE LA PERSONNE EN CHARGE DE L'APPAREIL

Le propriétaire de l'appareil et/ou toute personne responsable de la sécurité sont tenus de :

- Veiller à ce que tous les utilisateurs du dispositif soient correctement formés en ce qui concerne les réglementations en vigueur en matière de santé et de sécurité au travail.
- S'assurer que tous les utilisateurs de l'appareil ont lu ce manuel d'utilisation dans son intégralité et l'ont compris dans son intégralité, en particulier les sections sur les normes de sécurité.
- Vérifier périodiquement que tout le personnel travaille toujours dans le respect des normes de sécurité.
- Inspecter régulièrement l'équipement pour s'assurer qu'il fonctionne correctement et qu'il remplit sa fonction prévue. Les pièces endommagées ou défectueuses doivent être réparées ou remplacées immédiatement par du personnel qualifié **WALTER** uniquement. Se reporter à la liste des pièces de rechange pour obtenir le numéro de commande et contacter un centre de service technique **WALTER** ou un centre de service agréé **WALTER**.
- Vérifier périodiquement que tous les panneaux de sécurité apposés sur l'appareil (plaque signalétique, autocollants portant des symboles de danger, etc.) sont clairement lisibles et ne sont pas endommagés, écrasés, enlevés ou masqués par d'autres objets.

OBLIGATIONS DE L'UTILISATEUR

Le personnel autorisé à utiliser l'appareil doit :

- Travailler conformément aux règlements actuels en matière de santé et de sécurité au travail.
- Lire attentivement ce manuel d'utilisation, en accordant une attention particulière aux sections sur les normes de sécurité.
- Signer un document dans lequel il déclare avoir lu et compris ce manuel, et qu'il s'engage à suivre toutes les instructions qui y sont contenues.
- Lorsque l'on travaille, toujours porter les équipement et vêtements de protection individuelle (voir *chapitre 1.1*).
- Utiliser l'appareil uniquement comme expliqué dans ce manuel ; une mauvaise utilisation augmente le risque de blessures corporelles accidentelles et/ou de dommages matériels.
- Rester constamment attentif lorsque l'on manipule cet appareil. Faire attention à ce que l'on fait. Utiliser le bon sens. Ne pas utiliser l'appareil si l'on est fatigué. Ne jamais le laisser fonctionner sans surveillance.
- Ne pas utiliser l'appareil si l'interrupteur ne s'allume pas et ne s'éteint pas.
- Tenir fermement la baguette. Ne pas aller pas trop loin, garder une position stable et un bon équilibre en tout temps.
- Garder la zone de travail propre et bien éclairée. Un environnement encombré peut provoquer des accidents. Retirer tout matériau pouvant être enflammé par des étincelles. Ne pas utiliser cet équipement en présence de liquides ou de gaz inflammables. Garder les poignées propres, sèches et exemptes de solution de nettoyage, d'huile et de graisse. Ne pas utiliser dans des endroits pluvieux, humides ou mouillés.
- Prendre les précautions appropriées et toujours sécuriser l'appareil pendant les périodes où le poste de travail n'est pas occupé (par exemple pendant les pauses ou à la fin du quart de travail).
- Ne pas utiliser le cordon d'alimentation de manière abusive. Ne jamais tirer ou soulever cet appareil par son cordon ou sa fiche pour le déconnecter de la prise. Tenir le cordon à l'écart de la chaleur, de l'huile ou des arêtes tranchantes. Inspecter régulièrement le cordon et le faire remplacer par un centre de service technique **WALTER** ou un centre de service agréé **WALTER** s'il est endommagé.
- Garder les enfants et les autres personnes à l'écart de la zone de travail. S'assurer que personne ne se trouve en-dessous lorsque l'on travaille dans des endroits élevés. Ne pas laisser des personnes non qualifiées manipuler cette machine.

1.1. ÉQUIPEMENTS DE PROTECTION PERSONNELLE (EPI)

L'utilisation de cet appareil comporte plusieurs risques, par conséquent l'utilisation d'équipements de protection individuelle (EPI) appropriés est nécessaire.



SOLUTIONS D'ÉLECTROLYTES

Pour son fonctionnement normal, l'appareil nécessite l'utilisation de solutions électrolytiques spéciales contenant de l'acide phosphorique. **Ces produits sont dangereux car :**

- Ils sont corrosifs.
- Ils peuvent provoquer des irritations et des brûlures s'ils entrent en contact avec la peau ou les muqueuses.
- S'ils entrent en contact avec les yeux, ils peuvent causer de graves lésions oculaires.
- Leur utilisation expose généralement l'opérateur aux risques associés à l'utilisation de substances chimiques.

En outre, au cours du traitement, ces substances :

- Conduisent des courants électriques potentiellement dangereux si on les touche.
- Libèrent des fumées nocives lorsqu'elles s'évaporent.

Ne pas utiliser de produits autres que ceux indiqués dans ce manuel (sinon toute forme de garantie sera annulée) et ne pas mélanger ces produits avec d'autres.

Toujours conserver ces substances dans un endroit sûr dans leurs contenants d'origine, hors de la portée des enfants et d'autres personnes non qualifiées. Garder le contenu du récipient propre. Ne pas réutiliser les solutions de nettoyage électrolytiques.

En cas de contact accidentel avec les yeux ou la peau, ou en cas d'ingestion, suivre les instructions indiquées sur les fiches de données de sécurité du produit (FDS).

Voir également le *chapitre 1.4*, où certaines mesures de premiers secours sont illustrées.

On peut demander une copie des fiches de données de sécurité pour les solutions électrolytiques à l'adresse suivante :

WALTER

Téléphone (États Unis) : +1 866 592-5837

Téléphone (Canada) : +1 888 592-5837

Site internet : walter.com



Tous les utilisateurs de l'appareil doivent porter des vêtements de travail appropriés afin d'atténuer les risques liés à l'utilisation de solutions électrolytiques. Les vêtements doivent répondre aux exigences suivantes :

- Les gants doivent être fabriqués dans des matériaux résistants aux acides et aux produits chimiques.
- Tous les vêtements doivent être imperméables pour assurer une meilleure protection de l'utilisateur.
- Les vêtements et les dispositifs de protection doivent toujours être intacts et maintenus en bon état.

Il est important de garder l'appareil aussi propre que possible pour réduire le risque de contact accidentel avec des solutions électrolytiques.

Les opérations effectuées avec cet appareil **doivent être effectuées dans des endroits bien aérés.**

Si cela n'est pas possible, comme par exemple dans le cas d'une utilisation dans des espaces confinés (silos, égouts, réservoirs, chambres de combustion des fours, tuyaux, etc.), **un système d'extraction adéquat doit être mis en œuvre.**

Le SURFOX MAX n'est pas équipé d'un dispositif d'extraction des fumées intégré, **il est donc recommandé d'utiliser un système externe approprié à cet effet.**



PRÉVENTION DES BRULURES

Pendant le processus de nettoyage, la pointe de la baguette et la pièce à usiner peuvent atteindre des températures très élevées :

- Les pièces très chaudes peuvent provoquer des brûlures cutanées par contact.
- Ne pas toucher la pointe de la baguette ou la pièce de travail pendant le travail ou immédiatement après l'utilisation, elles peuvent être extrêmement chaudes et pourraient causer de graves brûlures.
- Laisser refroidir avant d'entrer en contact avec la peau exposée.

Faire très attention lors de la manipulation d'une pièce nouvellement traitée et lors de l'enlèvement des blocs et des inserts.



Tous les utilisateurs de l'appareil doivent porter des gants de protection appropriés pour la manipulation des pièces et pour l'utilisation de la baguette.



CHOCs ÉLECTRIQUES

Tous les chocs électriques sont potentiellement mortels, il est donc nécessaire de prendre des mesures de sécurité appropriées pour minimiser le risque de choc électrique :

- **Avant de connecter cet appareil, vérifier que la tension et l'ampérage indiqués sur sa plaque signalétique correspondent à l'alimentation électrique. L'utilisation de cette unité d'une autre façon que celle spécifiée sur la plaque signalétique peut entraîner des blessures corporelles à l'utilisateur et endommager l'unité.**
- **L'appareil doit être connecté à une alimentation secteur équipée d'un système de mise à la terre efficace, fonctionnel et testé périodiquement. Dans le cas contraire, le fabricant est déchargé de toute responsabilité pour toute perte ou dommage causé par cet acte grave de négligence.**
- Cet appareil est équipé d'un cordon d'alimentation à 3 conducteurs et d'une fiche électrique à 3 broches qui doit être connectée à une prise électrique bien raccordée à la terre.
- Ne pas utiliser l'appareil dans des pièces humides.
- Ne jamais toucher les pièces en mouvement.
- Ne jamais utiliser l'appareil avec son couvercle de protection retiré.
- Toujours éteindre l'appareil si le poste de travail reste sans surveillance (pendant les pauses et à la fin des quarts de travail).
- Inspecter fréquemment le câble d'alimentation et en cas de dommage ou d'abrasion du revêtement de protection, le remplacer immédiatement.
- Lorsqu'il n'est pas utilisé, **ÉTENDRE** l'appareil, débrancher le cordon d'alimentation et le tuyau d'air (le cas échéant).
- **Effectuer l'entretien uniquement après avoir débranché l'appareil du secteur.**
- L'entretien des pièces électriques ne doit être effectué que par du personnel expérimenté et autorisé.
- Utiliser uniquement des pièces de rechange d'origine.

Si, lors de l'utilisation de l'appareil, on devait ressentir la moindre sensation de choc électrique, éteindre immédiatement l'appareil et ne pas l'utiliser tant que le problème n'a pas été identifié et résolu par du personnel qualifié.



Tous les utilisateurs et les responsables de l'entretien de l'appareil doivent porter des gants isolants pour se protéger contre tout contact accidentel avec des pièces sous tension. Pour maximiser la sécurité, il est préférable de toujours utiliser des outils isolants lors de l'exécution d'opérations de maintenance.

1.2. SYSTÈMES DE PROTECTION INTÉGRÉS DANS L'APPAREIL

PROTECTION THERMIQUE

Toutes les unités SURFOX s'arrêtent automatiquement si une surchauffe excessive est détectée sur la carte de l'onduleur. Lorsque ce système de protection est activé, l'appareil s'arrête immédiatement et ne peut pas être redémarré tant qu'il n'a pas refroidi ; une fois que la température est revenue à des niveaux normaux, l'appareil reprend automatiquement son fonctionnement.

Pour éviter que l'appareil ne surchauffe, l'air doit circuler librement à travers les bouches d'aération. Maintenir un espace minimum de 8" (20 cm) autour de l'appareil pour assurer que toutes les ouvertures d'air sont dégagées de toute obstruction.

PROTECTION CONTRE LES COURTS-CIRCUITS

Toutes les unités SURFOX sont équipées d'un système de protection contre les courts-circuits intégré qui peut se produire entre l'insert installé sur la baguette et la pièce à usiner, en particulier lorsque les courants impliqués sont élevés.

Dans les rares cas où cela se produit, le système est conçu pour intervenir automatiquement et mettre fin au flux de courant vers la baguette ; de cette façon, les pièces électroniques de l'appareil sont protégées. Le fonctionnement de l'unité est rétabli immédiatement une fois que l'électrode a été retirée de la pièce à usiner.

Si l'appareil déclenche à plusieurs reprises, il est recommandé de vérifier l'usure des consommables (ex. tampons) ou d'utiliser des tensions de fonctionnement inférieures.



Ne pas désactiver et/ou ne pas contourner les systèmes de protection intégrés de l'appareil.

1.3. RISQUES RÉSIDUELS

Les risques liés à l'utilisation de ces appareils sont considérablement réduits si les règles de sécurité indiquées au *chapitre 1.1* et les instructions d'utilisation indiquées dans ce manuel sont respectées.

Cependant, il existe toujours des risques résultant de la température élevée atteinte par l'électrode, du contact possible avec des solutions d'électrolyte et de l'exposition potentielle de l'opérateur aux fumées nocives générées lors du traitement ; par conséquent, il est conseillé de toujours suivre toutes les procédures de sécurité décrites dans ce chapitre.

1.4. MESURES DE PREMIERS SECOURS



En cas d'exposition accidentelle à des solutions d'électrolytes ou à des fumées produites pendant le traitement, rester calme et éviter toute action involontaire ou nocive. Il est recommandé de respecter les consignes suivantes :

- En cas d'inhalation de fumées de traitement, essayer d'assurer un afflux d'air frais dans les voies respiratoires et aérer l'environnement environnant si possible. S'il y a des plaintes ultérieures au niveau des voies respiratoires, consulter un médecin.
- Si la peau entre en contact avec des solutions acides, la laver immédiatement à l'eau courante et au savon ; si après le séchage, on ressent une irritation persistante de la peau, consulter un dermatologue ou un médecin.
- En cas d'ingestion de solutions acides, NE PAS faire vomir. Appeler immédiatement une ambulance et entre-temps, rincer la bouche à plusieurs reprises, puis boire beaucoup d'eau.
- Si une certaine quantité d'électrolyte entre en contact avec les yeux, rincer soigneusement le visage tout en essayant de garder les yeux ouverts. Répéter l'opération pendant au moins 15 minutes, en soulevant les paupières de temps en temps. Utiliser un collyre d'urgence si disponible. Si possible, retirer les lentilles de contact et continuer à rincer. Si l'irritation ou les plaintes visuelles subséquentes persistent, consulter immédiatement un ophtalmologiste ou un médecin.

2. CARACTÉRISTIQUES DE L'APPAREIL

2.1. CHAMPS D'APPLICATION

Le SURFOX MAX de **WALTER** élimine rapidement, facilement et à moindre coût la peinture thermique des zones affectées par la chaleur sur l'acier inoxydable et l'aluminium tout en passivant complètement la surface en acier inoxydable.

L'appareil est équipé de cartes d'onduleur autorégulatrices qui surveillent et ajustent automatiquement le courant pour assurer une efficacité de nettoyage maximale sans perte de productivité.

Un procédé électrochimique permet au SURFOX MAX de nettoyer et de passiver les soudures sur l'acier inoxydable. Les solutions d'électrolytes SURFOX sont à base d'acide phosphorique, approuvées pour l'industrie alimentaire, et sont activées par un courant électrique pour nettoyer les soudures. Le processus ne prend que quelques secondes sans endommager ou rayer la surface des pièces à nettoyer.

VOTRE SURFOX MAX PEUT NETTOYER :

Soudures TIG, soudures plasma, soudures laser, soudures par points, soudures MIG.



Des précautions particulières doivent être prises lors de l'utilisation de cet appareil sur des surfaces en acier particulièrement délicates (par exemple AISI 430), car des halos blancs permanents peuvent se former pendant le traitement.

En cas de doute, il est recommandé d'effectuer d'abord un essai sur un échantillon du même type d'acier. Pour plus d'informations, contacter le **REPRÉSENTANT DU SERVICE CLIENTÈLE DE WALTER (walter.com)**.



WALTER n'est pas responsable des pertes ou dommages causés par l'appareil s'il est utilisé en dehors des domaines d'application mentionnés.

Les appareils SURFOX sont conçus pour des applications industrielles, leur utilisation à domicile est donc strictement interdite.

2.2. PRINCIPES DE BASE DE PASSIVATION

Le nettoyage des soudures n'est pas seulement à des fins esthétiques, mais surtout pour la passivation.

La passivation est le traitement des surfaces en acier inoxydable pour éliminer les contaminants et favoriser la formation d'une couche protectrice épaisse et durable d'oxyde de chrome.

Cette couche passive assurera la résistance à la corrosion de l'acier inoxydable. Si la passivation n'est pas effectuée correctement, l'acier inoxydable et les zones affectées par la chaleur peuvent commencer à rouiller.

2.3. TRANSPORT ET STOCKAGE DU DISPOSITIF

Pour faciliter le transport, le SURFOX MAX est équipé d'une poignée en haut. Voir le *chapitre 13* pour des informations détaillées sur la taille et le poids de l'appareil.

S'assurer que l'interrupteur est en position OFF avant de connecter ou de déplacer l'appareil pour éviter tout démarrage involontaire.

L'appareil doit être conservé dans un endroit abrité et sans humidité pour protéger ses composants électriques internes.

Si la machine doit être stockée pendant une période prolongée, les accessoires de nettoyage doivent être retirés, neutralisés, rincés et séchés. L'appareil doit être soigneusement emballé dans un récipient approprié et correctement protégé, en particulier contre l'exposition à des températures glaciales. Ranger l'appareil dans un endroit sûr, hors de la portée des enfants et d'autres personnes non qualifiées.



WALTER ne sera pas tenu responsable des dommages résultant d'une manipulation brutale.



La poignée est conçue exclusivement pour transporter l'appareil à la main.

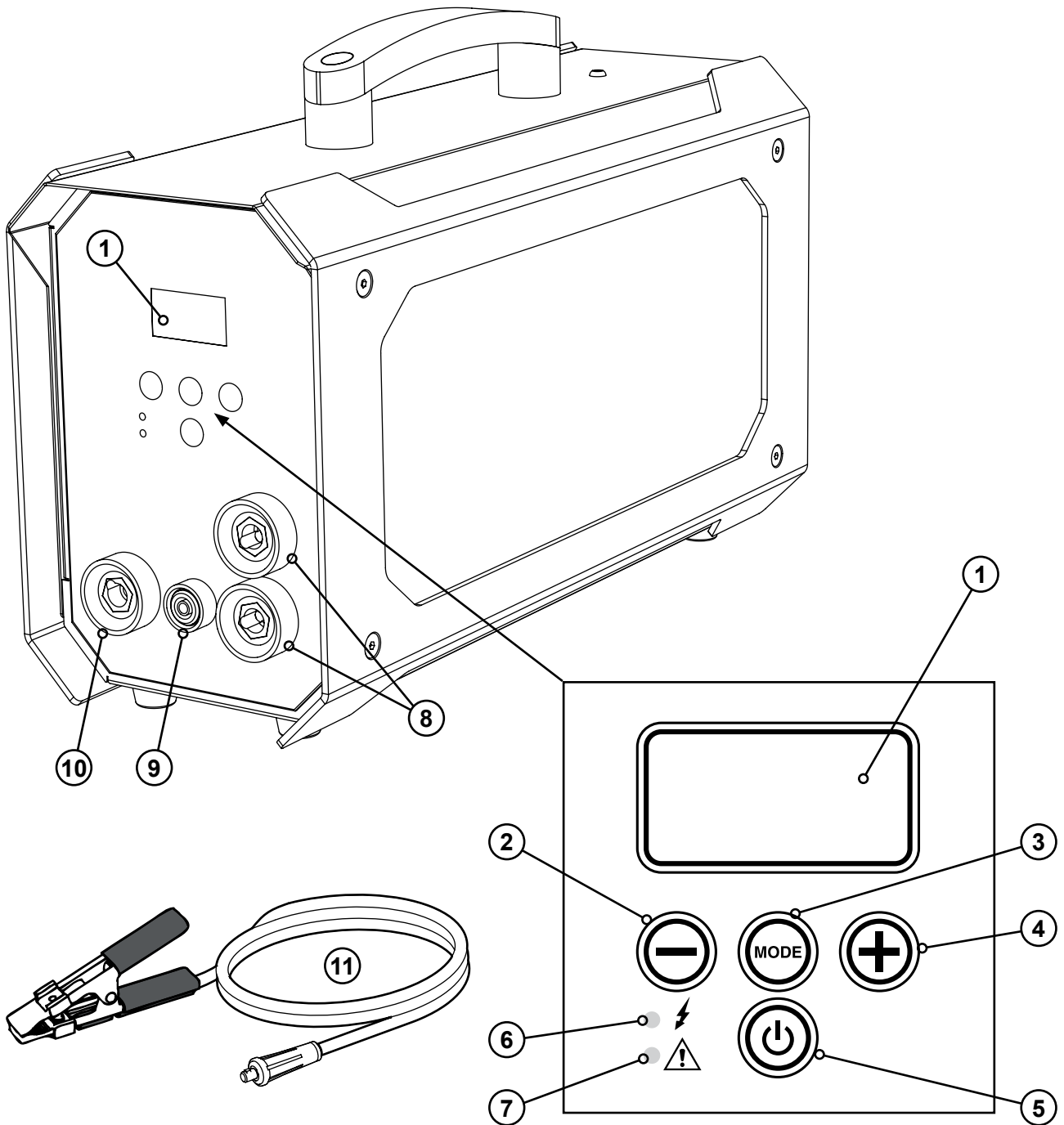
Ne pas l'utiliser comme point de raccordement pour les fourches des chariots élévateurs ou d'autres machines de levage.



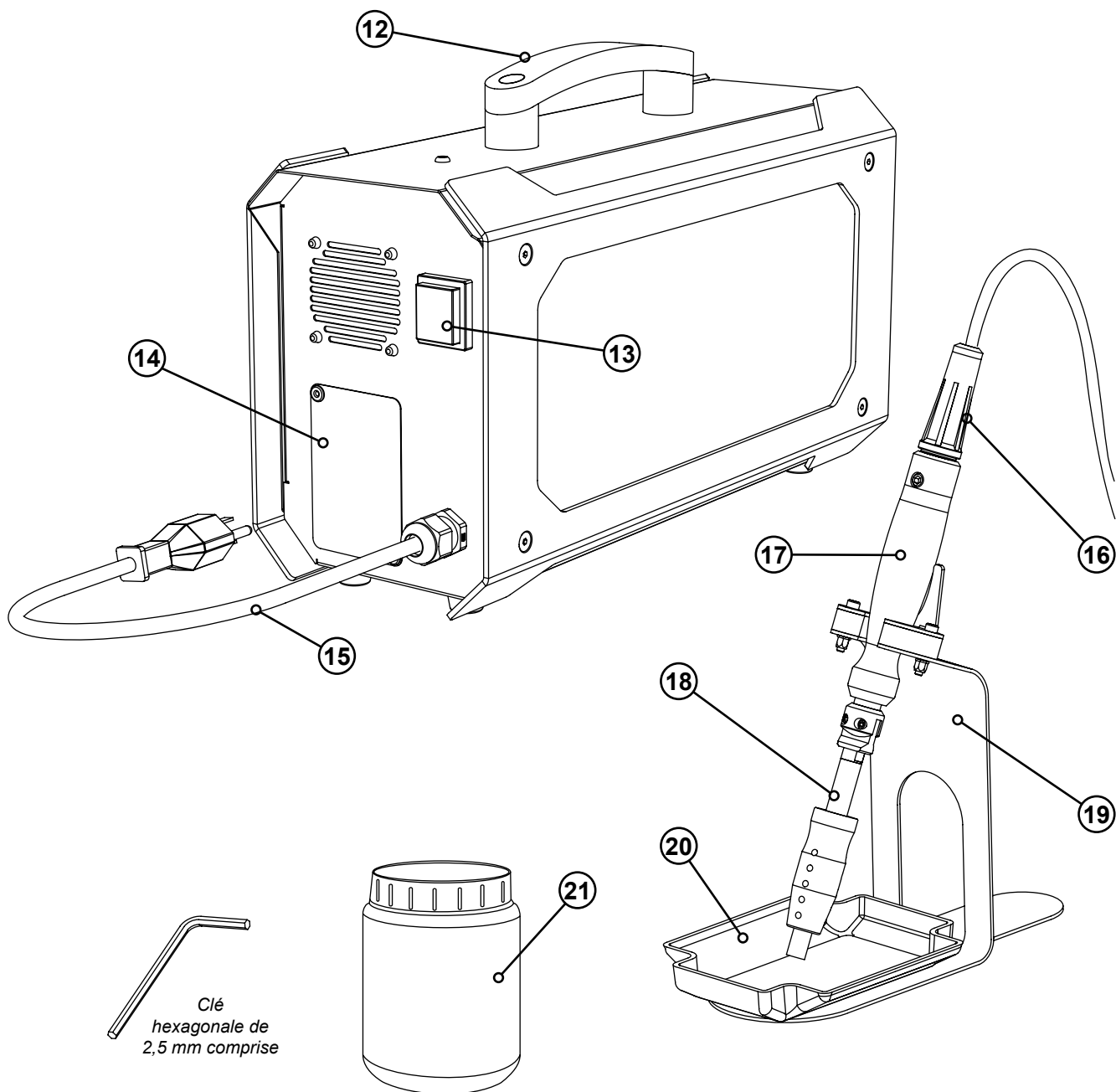
S'il est nécessaire de retourner le SURFOX MAX à l'usine **WALTER** ou au centre de service agréé, suivre les instructions du *chapitre 12* pour préparer et emballer soigneusement l'envoi.

WALTER n'est pas responsable des pertes ou dommages causés aux personnes ou aux biens en raison de la fuite de solution électrolytique des accessoires de nettoyage pendant les opérations d'emballage et d'expédition aux centres de service.

2.4. COMPOSANTS DE L'APPAREIL



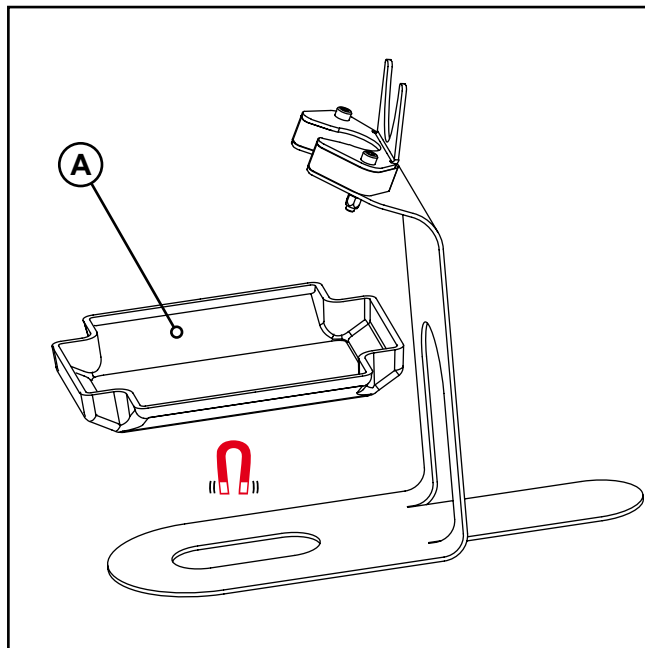
1	Écran	7	Voyant d'alarme (rouge)
2	Bouton de diminution de tension	8	Prises noires pour baguette DW
3	Bouton MODE	9	Prise noire pour baguette marquage/gravure
4	Bouton d'augmentation de tension	10	Prise rouge de câble de terre
5	Bouton d'alimentation	11	Câble de terre
6	Voyant d'alimentation (vert)		



12	Poignée	18	Brosse DW
13	Interrupteur principal (ON/OFF)	19	Porte-baguettes
14	Plaque signalétique	20	Plateau collecteur
15	Câble d'alimentation	21	Bocal en plastique
16	Câble d'alimentation noir baguette DW		
17	Baguette DW		

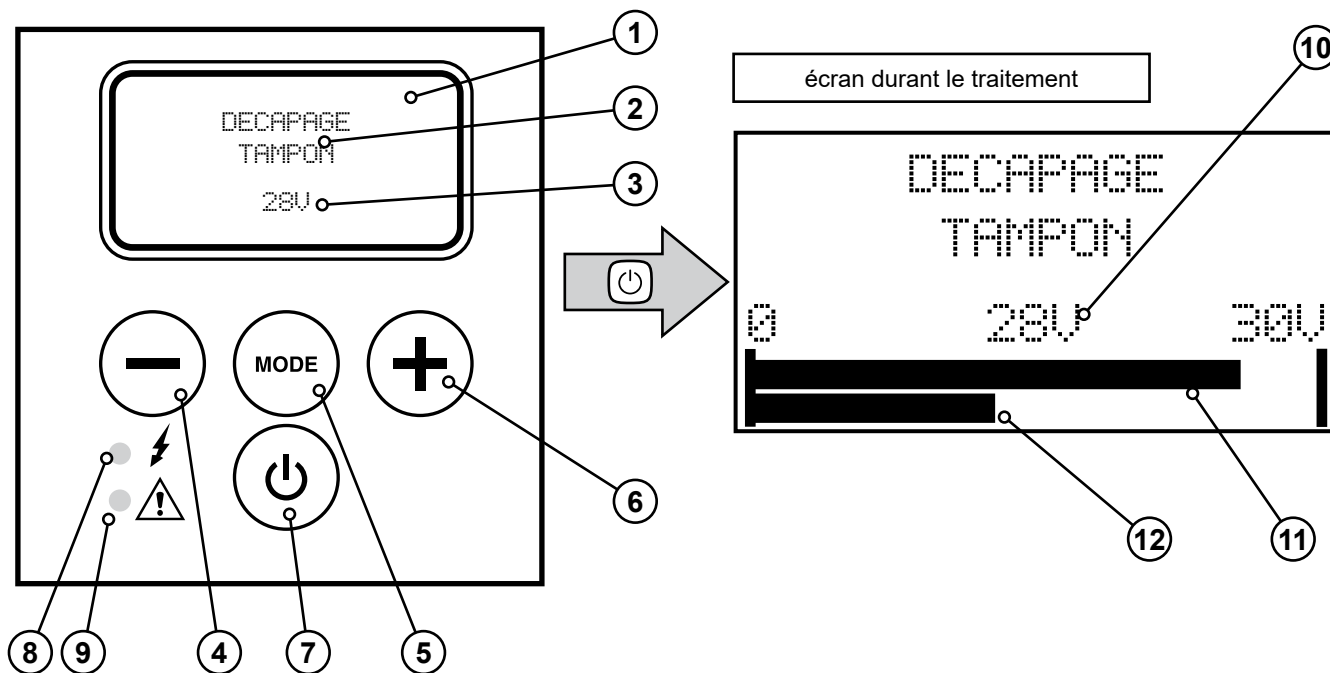
2.5. COMMENT ASSEMBLER LE PORTE-BAGUETTE

- Le plateau collecteur (A) est équipé d'aimants et des outils sont nécessaires pour l'insérer dans la fente de la base.





3. PANNEAU DE COMMANDE

3.1. DESCRIPTION GÉNÉRALE



1	Écran	8	Voyant d'alimentation (vert)
2	Indicateur de mode de fonctionnement	9	Voyant d'alarme (rouge)
3	Tension (V)	10	Tension (V)
4	Bouton de diminution de tension	11	Indicateur tension de sortie
5	Bouton MODE	12	Indicateur courant de sortie
6	Bouton d'augmentation de tension		
7	Bouton d'alimentation		

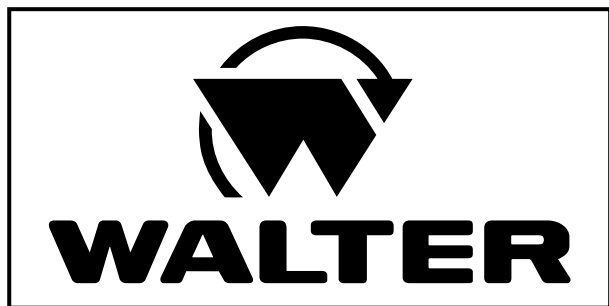
3.2. CHANGER LA LANGUE

- Lorsque l'appareil est allumé, maintenir les boutons – et + enfoncés en même temps pendant quelques secondes.
- Le code **0 0 0 0** apparaîtra à l'écran ; appuyez sur le bouton .
- Sélectionner la langue requise parmi celles disponibles (**EN - ES - FR - PT**) à l'aide des boutons – et +.
- Appuyer à nouveau sur le bouton  pour confirmer et revenir à l'écran principal.



Si aucun bouton n'est enfoncé pendant 30 secondes pendant la procédure de sélection de la langue, l'appareil revient automatiquement à l'écran principal sans enregistrer les modifications apportées.

3.3. STRUCTURE DU MENU



L'affichage s'allume lorsque l'interrupteur principal de l'appareil est amené en position « I » ; cet interrupteur, de couleur verte, est situé à l'arrière de l'appareil (voir *chapitre 2.4*).

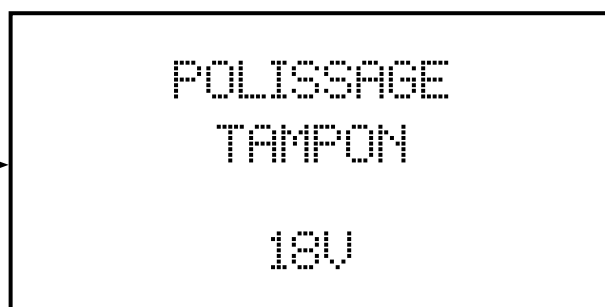
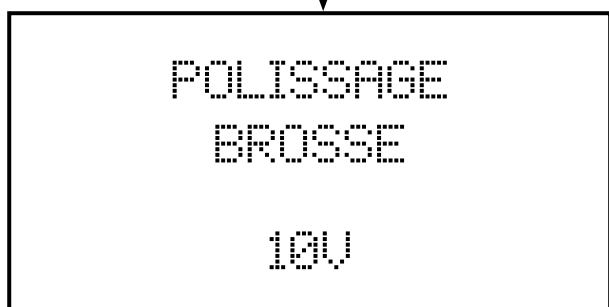
Au démarrage sont brièvement affichés à l'écran le logo **WALTER** et un écran avec les informations du micrologiciel. L'appareil passe ensuite au programme de **DECAPAGE BROSSE**.

Pour changer le mode de fonctionnement, appuyer sur le bouton **Mode**.



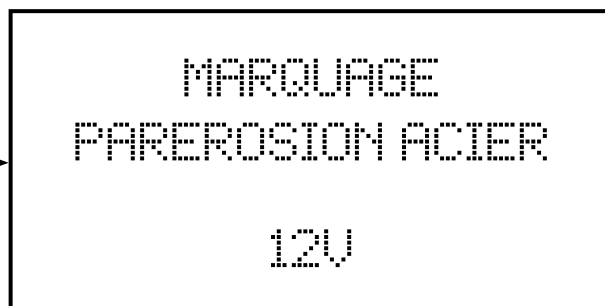
MODE

MODE



MODE

MODE



MODE

MODE

En appuyant de nouveau sur le bouton **MODE**, le menu redémarre



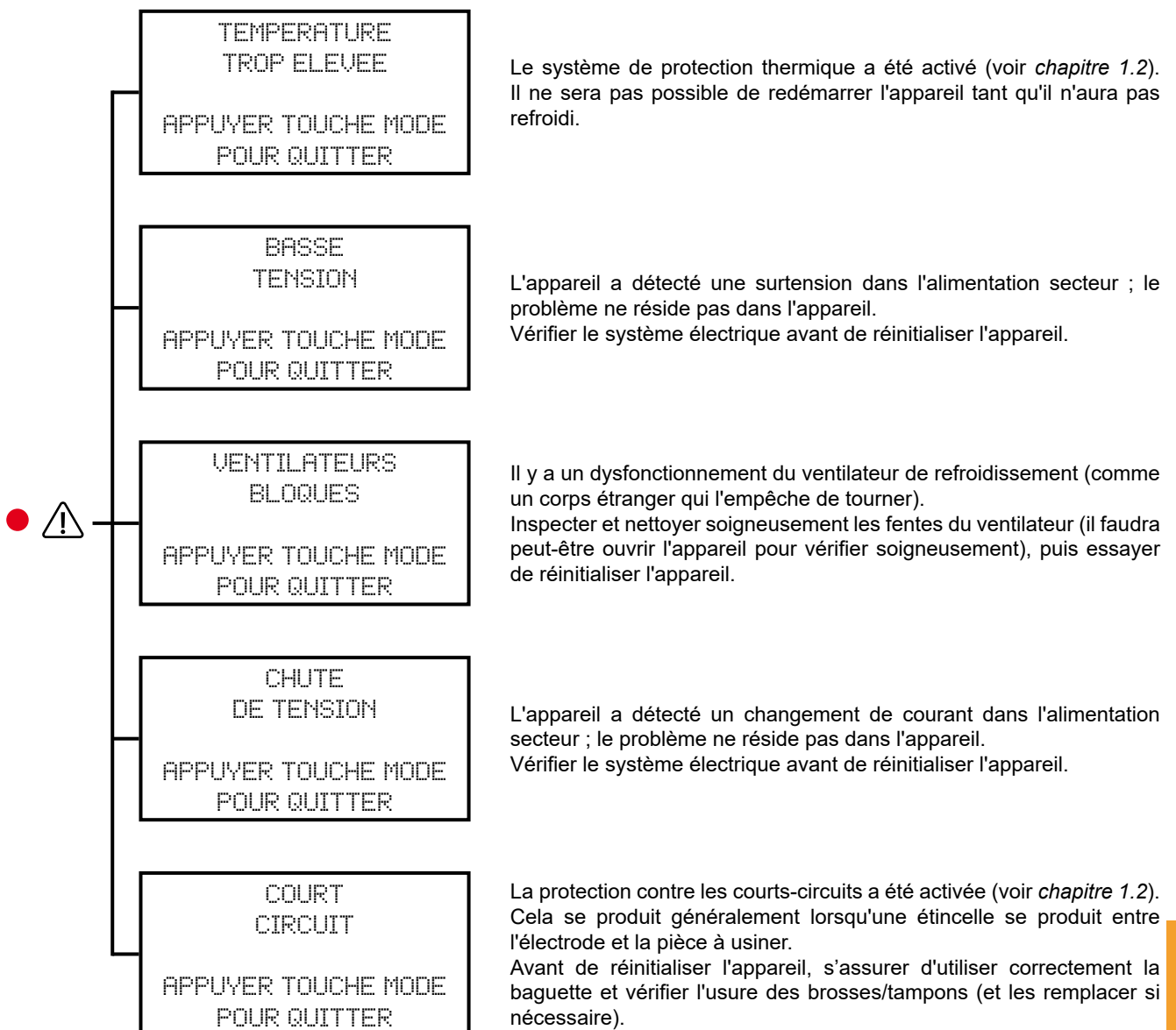
Quel que soit le programme sélectionné, les touches - et + peuvent être utilisées pour augmenter ou diminuer la tension de fonctionnement (par incréments de 1 volt). **Le niveau de tension par défaut dans les différents modes de fonctionnement est celui recommandé par le fabricant.**

3.4. MESSAGES D'ALARME

En cas de problèmes ou de pannes, le voyant d'alarme s'allume (voir *chapitre 3.1*) et l'appareil cesse de fournir du courant. Pour aider l'utilisateur à identifier plus facilement la source du problème, l'appareil affiche un message texte indiquant la cause probable du dysfonctionnement.

Après avoir résolu le problème, appuyer sur le bouton **MODE** pour réinitialiser l'appareil et reprendre le travail.

Pour obtenir de l'aide, contacter **le Service Clientèle de WALTER** (walter.com).



4. ACCESSOIRES DE MONTAGE SUR LA BAGUETTE DW



Lors de l'installation des brosses, inserts et tampons, l'appareil doit être éteint :

- Placer l'interrupteur principal en position « O ».
- Débrancher l'appareil du secteur.



Pour son fonctionnement normal, l'appareil nécessite l'utilisation de solutions acides particulières pouvant être dangereuses (lire le *chapitre 1* soigneusement).

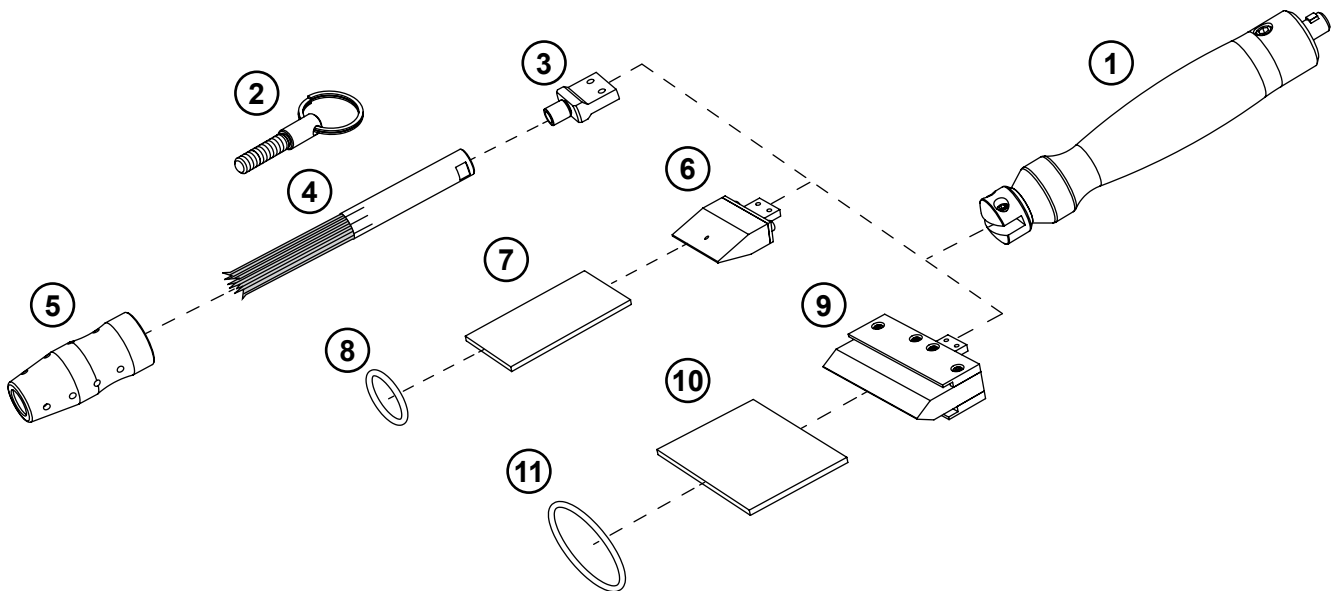
Lors du remplacement d'un accessoire sur la baguette, **faire très attention aux résidus d'électrolyte restant sur la brosse ou le tampon.**



Toujours utiliser des gants de protection appropriés lors du montage/retrait des accessoires de la baguette afin de :

- Réduire le risque de contact direct entre la peau et les solutions acides.
- Obtenir un certain niveau de protection contre les brûlures si les inserts sont encore trop chauds.

4.1. APERÇU DES ACCESSOIRES BAGUETTE DW



1	54-B 617	Baguette DW	comprise	p. 16
2	54-B 618	Outil d'extraction brosse	compris	p. 18
3	54-B 149	Adaptateur brosse	compris	p. 17
4	54-B 604	Brosse DW pour Surfox MAX	comprise	p. 18
5	54-B 605	Manchon DW	compris	p. 18
6	54-B 009	Insert graphite 45 mm	en option	p. 19
7	54-B 043	Tampon de nettoyage SURFOX pour insert en graphite 45 mm	en option	p. 19
8	54-B 180	Joint torique 30 x 3,5	en option	p. 19
9	54-B 607	Insert graphite 100 mm	en option	p. 20
10	54-B 608	Tampon de nettoyage SURFOX pour insert en graphite 100 mm	en option	p. 20
11	54-B 609	Joint torique pour insert graphite 100 mm	en option	p. 20

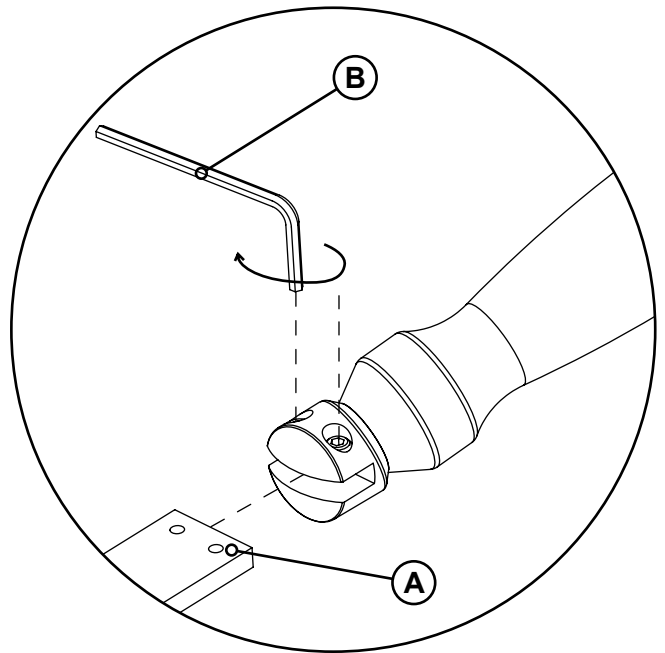
Le **Service Clientèle de WALTER** (walter.com) est à votre disposition pour toute information supplémentaire.

4.2. INSTALLATION ADAPTATEUR BROSE/INSERT



Lors de l'installation de l'adaptateur ou des inserts, la baguette DW ne doit pas être connectée à l'appareil.

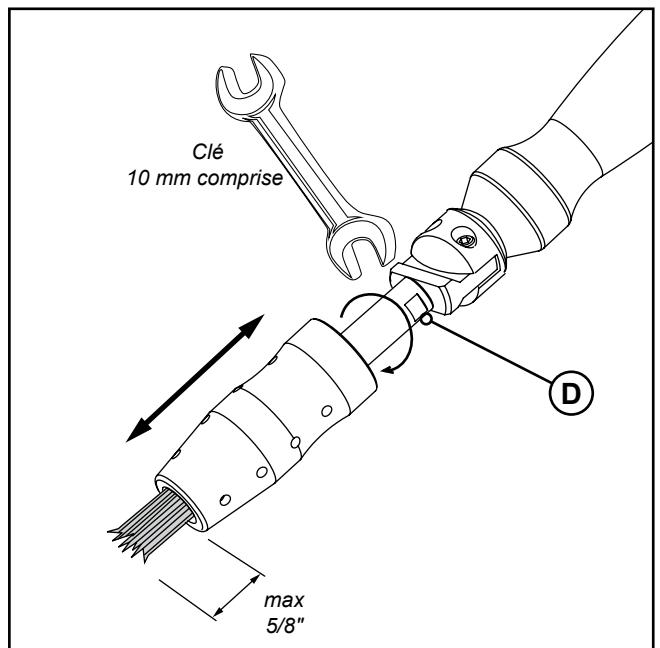
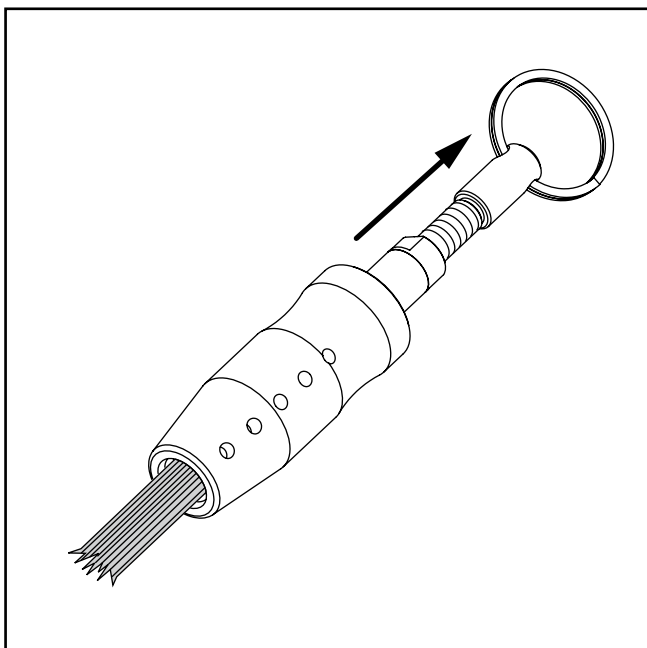
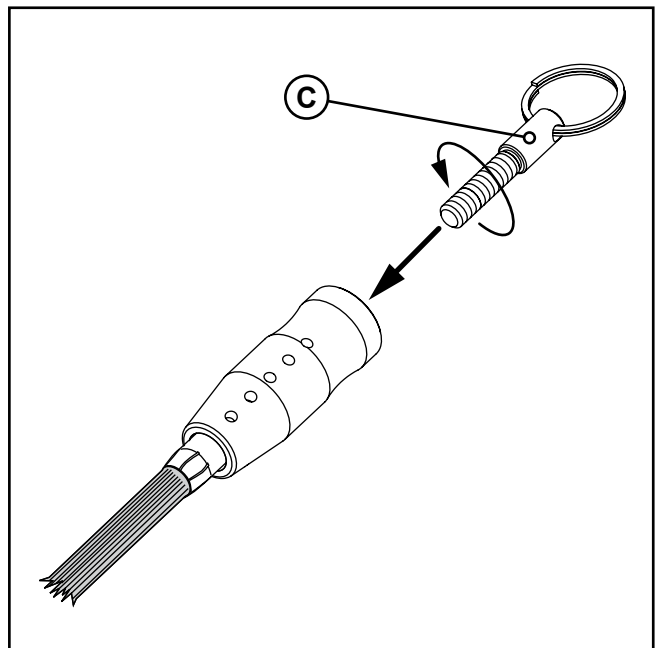
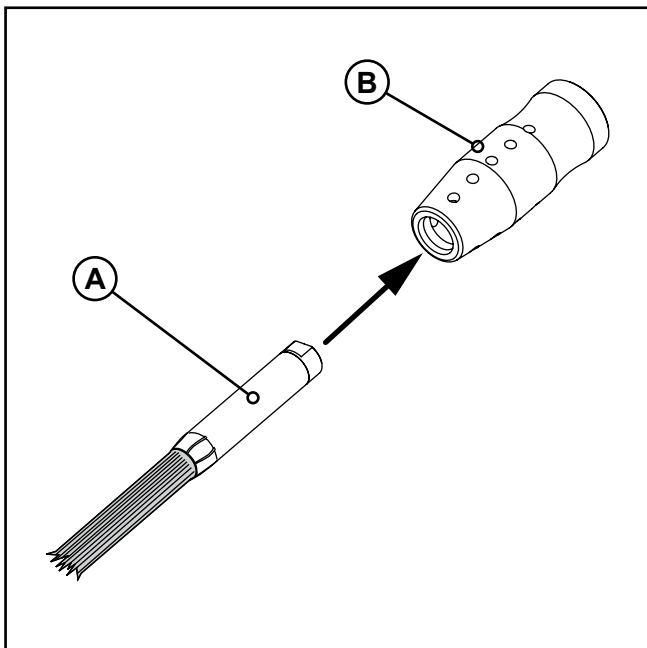
- Prendre l'adaptateur de brosse **54-B 149** ou l'insert souhaité.
- À l'arrière de l'adaptateur (ou de l'insert) se trouvent les deux fraises (A) où les vis de fixation de l'accouplement de la baguette DW seront serrées.
- Placer l'adaptateur (ou l'insert) sur le couplage de la baguette DW et serrer les deux vis de réglage avec une clé hexagonale de 2,5 mm (B) (incluse) ; s'assurer que les vis de réglage sont correctement alignées avec les fraises (A).



4.3. MONTAGE DE LA BROSE DW



Lors de l'installation des brosses, la baguette DW ne doit pas être connectée à l'appareil.

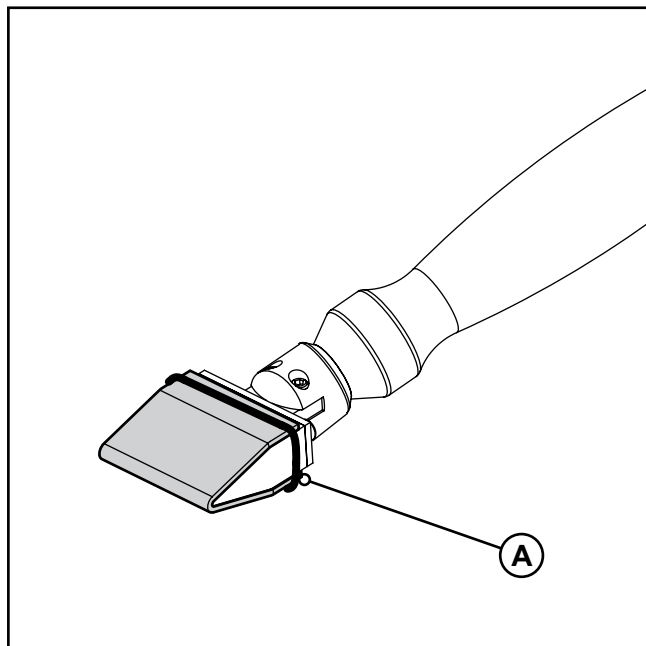
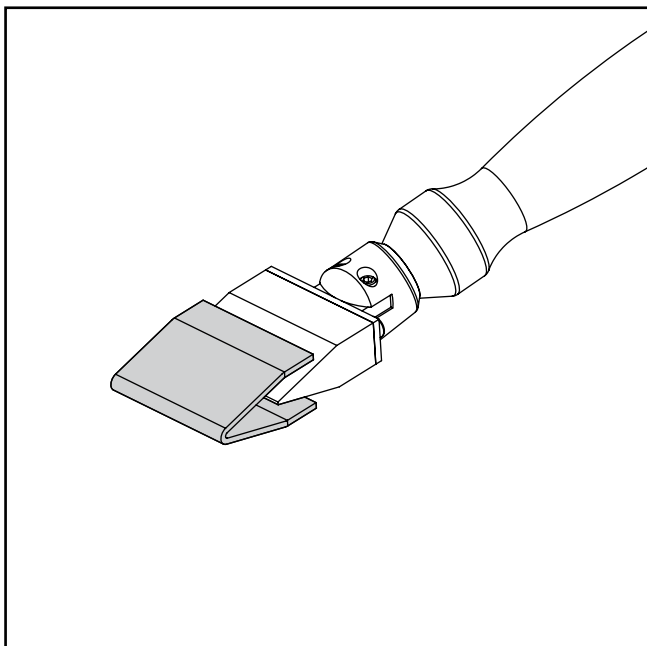


- Installer l'adaptateur brosse **54-B 149** sur la baguette DW (voir *chapitre 4.2*).
- Insérer la brosse DW **54-B 604** (A) dans le manchon **54-B 605** (B).
- Visser le raccord fileté de l'outil d'extraction **54-B 618** (C) dans la brosse.
- Retirer la brosse du manchon.
- Retirer l'outil d'extraction
- Utiliser la clé 10 mm (comprise) pour serrer la brosse fermement dans le filetage de l'adaptateur. Le segment de couplage brosse a une forme spéciale (D) pour s'accrocher facilement avec la clé.
- S'assurer que pas plus de 5/8" (15 mm) de fibre de carbone n'est exposée.

4.4. MONTAGE DU TAMPON SUR L'INSERT GRAPHITE 45 mm



Lors de l'installation des tampons, la baguette DW ne doit pas être connectée à l'appareil.

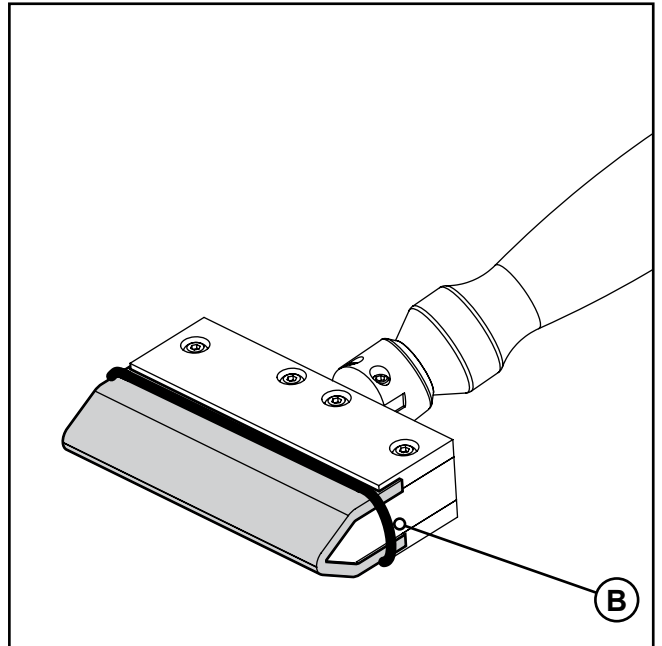
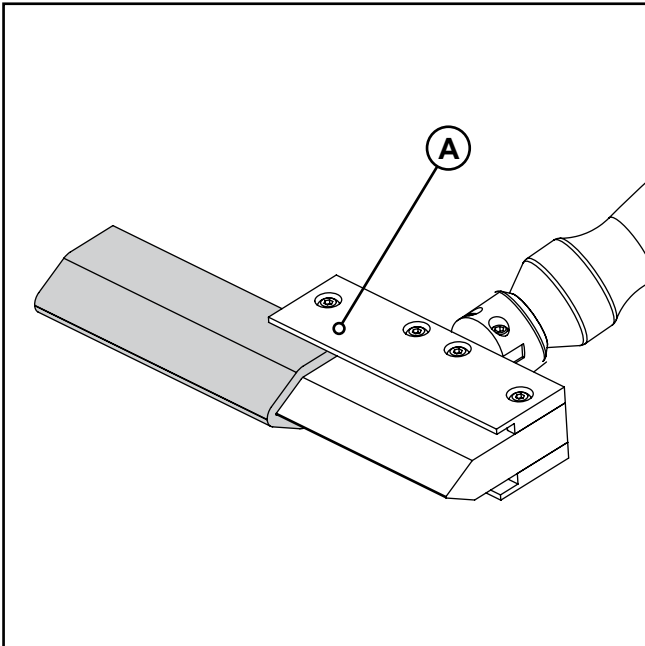


- Installer l'insert **54-B 009** sur la baguette DW (voir *chapitre 4.2*).
- Plier le tampon **54-B 043** en forme de « U » et le coller sur l'électrode.
- Serrer le tampon **54-B 180** en position en utilisant le joint torique (A).

4.5. MONTAGE DU TAMPON SUR L'INSERT GRAPHITE 100 mm



Lors de l'installation des tampons, la baguette DW ne doit pas être connectée à l'appareil.



- Installer l'insert **54-B 607** sur la baguette DW (voir *chapitre 4.2*).
- Plier le tampon **54-B 608** en forme de « U » et le glisser dans les ailettes avec les rainures (A) sur l'électrode.
- Serre le tampon en position en utilisant le joint torique **54-B 609** (B).

5. AVANT DE DÉMARRE L'APPAREIL

5.1. PRÉCAUTIONS D'UTILISATION DE L'APPAREIL

Pour éviter d'endommager l'appareil, vérifier que :

- La tension du secteur correspond à celle supportée par l'unité (comme spécifié dans les données techniques et la plaque signalétique).
- La surface à traiter est reliée à la terre avec un câble d'épaisseur appropriée.
- Toutes les prises, connecteurs et câbles utilisés avec l'appareil sont en bon état de fonctionnement.
- Le système électrique auquel l'unité est connectée est équipé de dispositifs de protection contre les courts-circuits et les surintensités. Ces systèmes de sécurité doivent être pleinement opérationnels.
- Le poste de travail où l'appareil est utilisé doit toujours être maintenu propre et bien rangé.
- Après le traitement ou pendant les pauses, la pince de mise à la terre de la pièce ou de la surface de travail est désactivée.

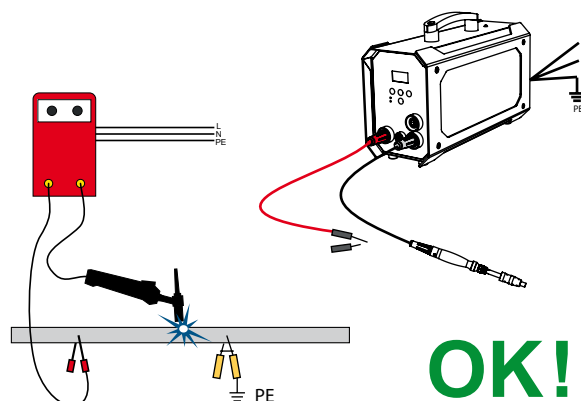
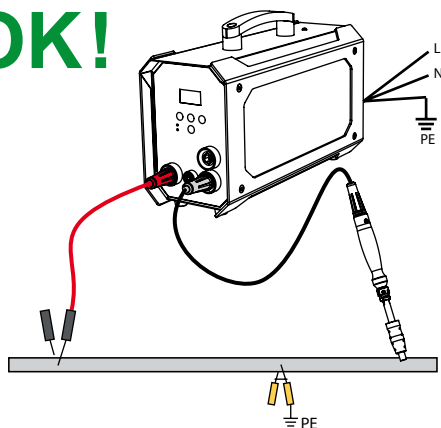
Dans les environnements de travail où il y a à la fois des postes de soudage et de décapage :

- Ne pas souder/nettoyer dans la même pièce en même temps.
- Débrancher le câble de terre de l'appareil pendant toute opération de soudage.

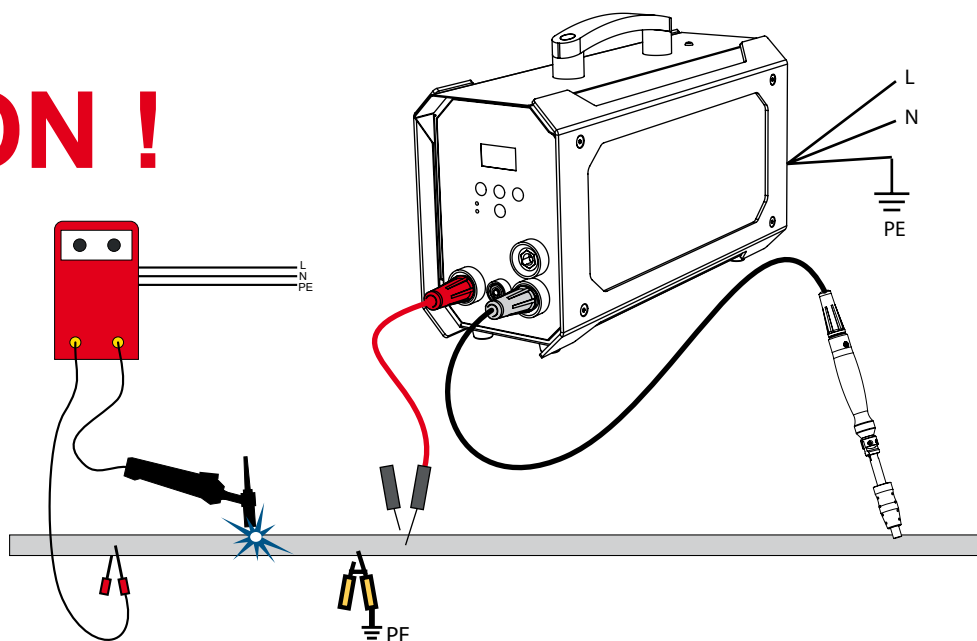


Si l'opérateur utilise une machine à souder alors que les deux câbles de mise à la terre sont connectés à la surface en cours de traitement, les composants électriques de l'appareil peuvent être endommagés même si la torche de soudage n'entre pas en contact avec la pièce à travailler. En particulier, les composants internes du dispositif pourraient être soumis à une haute tension allant jusqu'à 100 V.

OK!



NON !

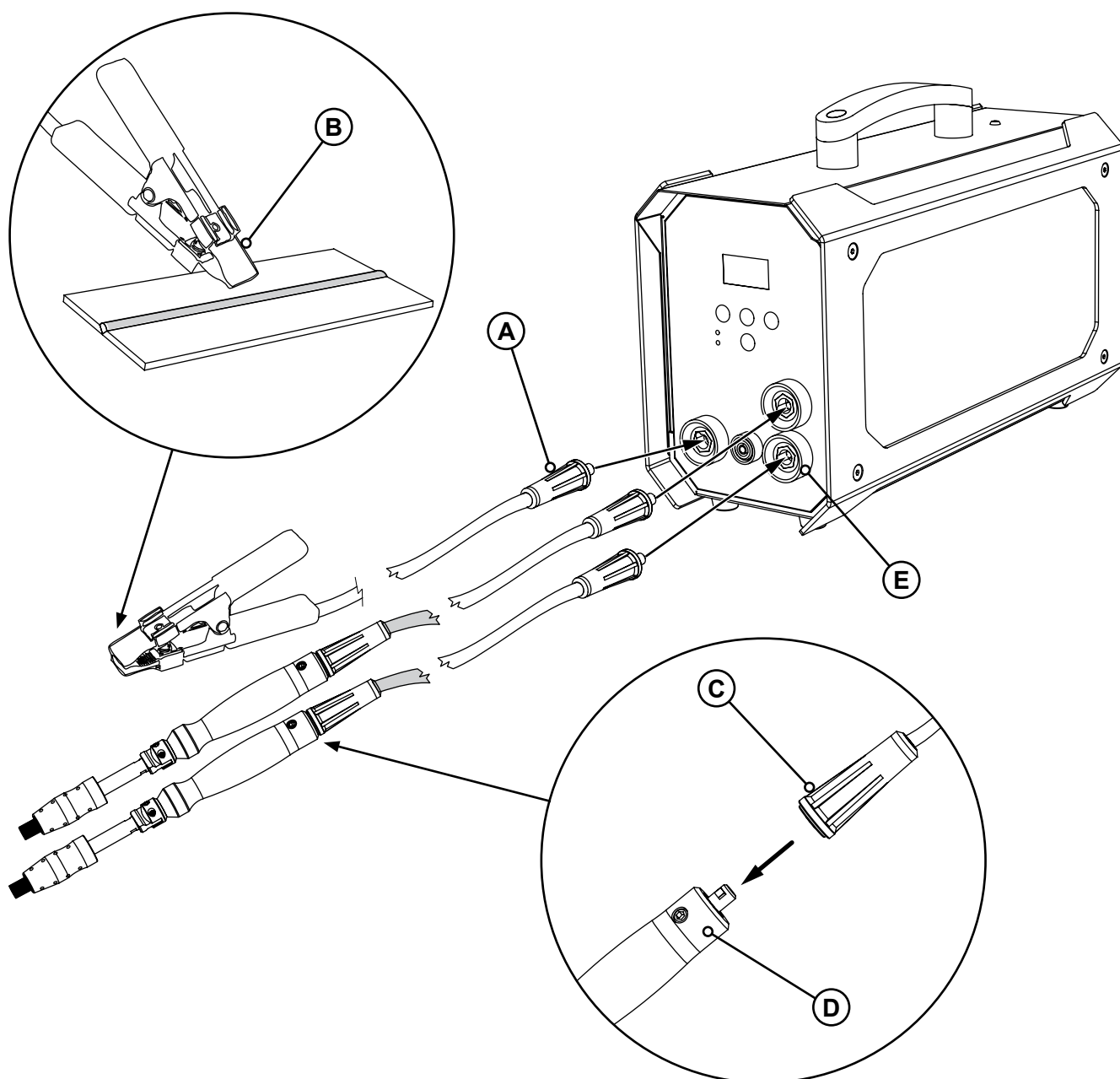


5.2. INSTALLATION ÉLECTRIQUE



S'assurer d'avoir lu et vérifié toutes les consignes de prudence du *chapitre 5.1*.

- Préparer la baguette DW en installant l'accessoire le plus adapté au type de travail à effectuer (voir *chapitre 4*).
- Connecter le connecteur du câble de terre (A) à la prise rouge sur le panneau avant de l'unité.
- Utiliser la borne crocodile du câble de mise à la terre (B) pour saisir la pièce d'acier inoxydable à traiter.
- Utiliser le câble fourni pour effectuer l'installation électrique de la baguette DW ; connecter le connecteur femelle (C) à la baguette DW (D) et insérer le connecteur mâle dans l'une des prises noires désignées sur le panneau avant de l'unité (E).
- **Le SURFOX MAX peut fonctionner avec deux baguettes en même temps.** Lorsque l'on n'utilise qu'une seule baguette, choisir indifféremment une prise ou l'autre.
- Brancher le cordon d'alimentation de l'appareil à une prise appropriée.



6. NETTOYAGE ET POLISSAGE DES SOUDURES

6.1. DÉMARRER LE TRAITEMENT

Avant de commencer à décaper/polir une pièce d'acier inoxydable, vérifier que toutes les opérations préliminaires décrites au chapitre 5 ont été effectuées correctement.

Pour son fonctionnement normal, l'appareil nécessite l'utilisation de solutions électrolytiques spéciales. Il est très important de choisir le liquide le plus approprié pour le type de traitement à effectuer :

- **SURFOX-T**, une solution de nettoyage robuste adaptée au décapage et au polissage.
- **SURFOX-G**, une solution de nettoyage à pH neutre adaptée au décapage uniquement.

Toujours se reporter à la fiche technique du produit pour obtenir des indications détaillées sur son domaine d'utilisation. Le **Service Clientèle de WALTER** (walter.com) est à votre disposition pour toute information supplémentaire.




Les solutions acides sont dangereuses et peuvent causer des dommages aux personnes et aux biens : lire attentivement le *chapitre 1* sur les règles de sécurité et les équipements de protection individuelle qui doivent être utilisés lorsque l'on travaille avec ces substances.

- Verser la solution d'électrolyte dans le bocal inclus ou dans un récipient en plastique assez grand pour tenir l'insert ou la brosse.
- Immerger complètement l'insert avec un tampon ou une brosse dans le récipient.

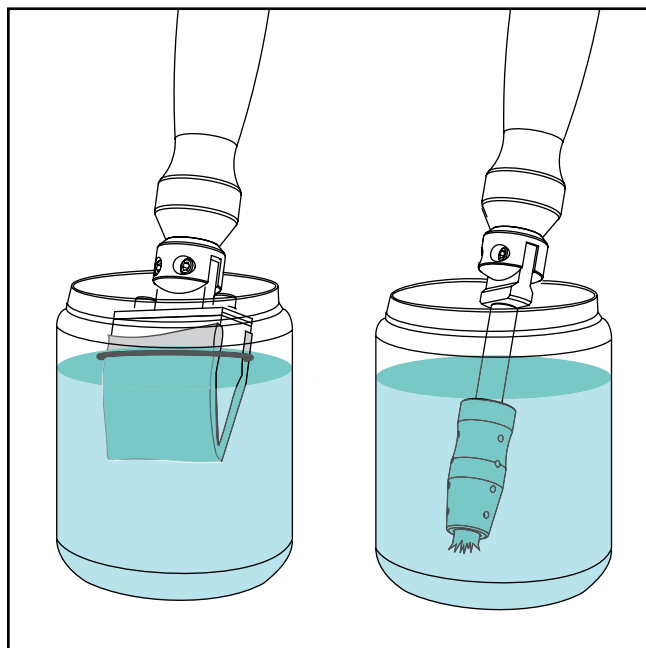


Il est important de toujours garder les électrodes bien mouillées pour éviter qu'elles ne surchauffent.

- Allumer l'appareil en tournant l'interrupteur principal (situé sur le panneau arrière de l'appareil) en position « I ».
- Sélectionner le mode de fonctionnement souhaité en appuyant sur le bouton **MODE** sur le panneau de commande (voir *chapitre 3.3* pour plus d'informations).
- Appuyer sur le bouton  du panneau de commande pour démarrer l'appareil.



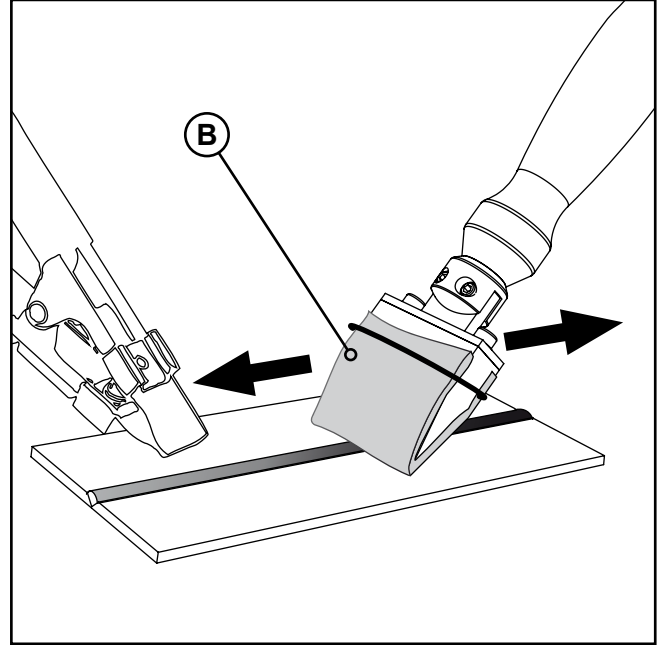
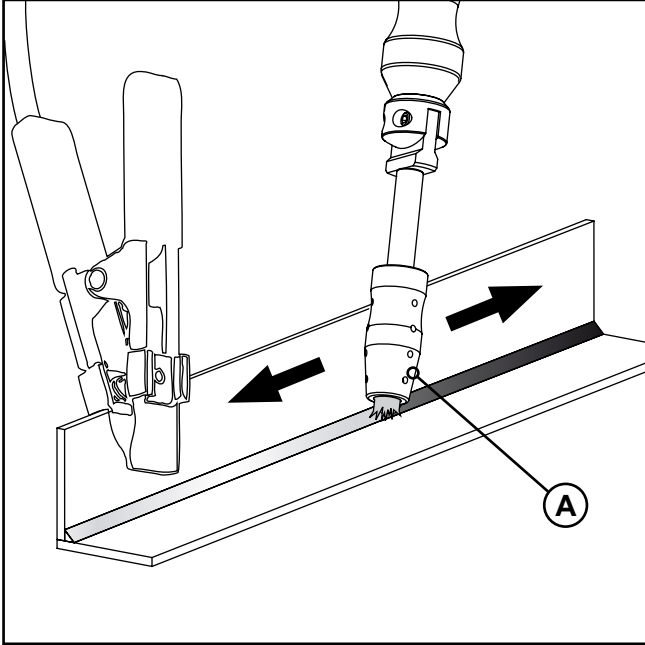
Une fois démarré, l'appareil s'éteint automatiquement après environ 30 secondes d'inactivité. Il s'agit d'une mesure de précaution pour éviter que la baguette ne soit accidentellement alimentée en fin de traitement.



UTILISATION DES INDICATEURS SUR L'ÉCRAN

Pendant le traitement, des indicateurs à barres apparaissent sur l'écran montrant en temps réel la tension et le courant fournis par l'appareil (voir *chapitre 3.1*). Lorsque la pièce n'est pas touchée, aucun courant ne traverse la baguette et la tension est maintenue à la moitié de la tension réglée. La tension ne commence à augmenter que progressivement lorsque le travail commence réellement, minimisant ainsi la probabilité d'arc ou d'étincelle au point de contact entre la brosse/l'insert et la soudure à nettoyer/polir.

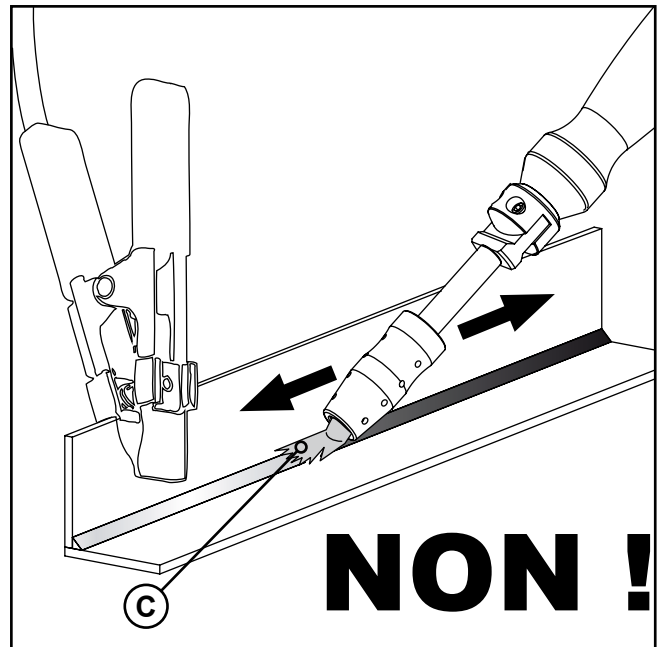
- Commencer le nettoyage/polissage en positionnant la brosse/le tampon sur la pièce en acier inoxydable.
- Passer la brosse/le tampon sur la soudure en appliquant une légère pression et continuer le processus jusqu'à ce que chaque signe d'oxydation soit complètement éliminé. Des étincelles et de la mousse peuvent se former au point de contact entre la brosse/le tampon et la soudure pendant le traitement. C'est parfaitement normal.
- Si nécessaire, utiliser les boutons – et + sur le panneau de commande pour régler la tension de sortie et obtenir de meilleurs résultats (si l'on change de mode de fonctionnement, la tension revient au niveau par défaut pré-réglé par le fabricant).




- La brosse DW (A) convient pour les soudures difficiles à atteindre, tandis que le tampon 100 mm ou 45 mm (B) est particulièrement adapté pour les larges soudures.



- Le processus de polissage nécessite une plus grande quantité de solution électrolytique que le décapage.
- Toujours garder la brosse/le tampon bien humidifié avec la solution d'électrolyte pour éviter une surchauffe et une réduction significative de sa durée de vie ; s'il y a des signes évidents d'usure, remplacer immédiatement le composant.
- Si la tension est augmentée pendant le traitement, la solution d'électrolyte s'évapore plus rapidement ; s'assurer que la brosse ou le tampon est toujours humide.
- Ne jamais utiliser un insert sans son tampon assorti ; l'insert ne doit jamais être placé en contact direct avec la pièce en acier.
- Lors du nettoyage/polissage, garder la brosse perpendiculaire à la soudure et ne jamais presser excessivement les poils de carbone contre la surface à traiter (C).
- Pour de meilleurs résultats, ajuster périodiquement le manchon en PTFE de la brosse pour laisser environ 5/8" (15 mm) de fibre de carbone exposée.



6.2. APRÈS LE TRAITEMENT

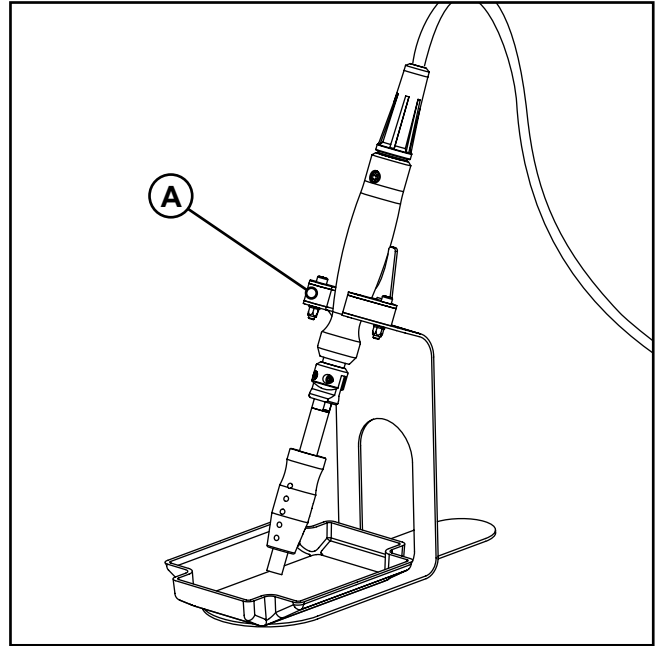
- Appuyer sur le bouton  du panneau de commande pour arrêter l'alimentation en courant de la baguette DW.
- Remettre la baguette DW dans son support (A).



À la fin du traitement, toujours ranger la baguette DW et les autres accessoires de manière appropriée.

Ne jamais placer la baguette sur le dessus de l'appareil pendant les pauses ou à la fin du traitement, car la solution d'électrolyte pourrait s'égoutter de la brosse/du tampon humidifié et pénétrer à l'intérieur de l'appareil. Toujours utiliser le support approprié et vider le bac de collecte si nécessaire.

L'appareil doit en tout état de cause être conservé aussi propre que possible.



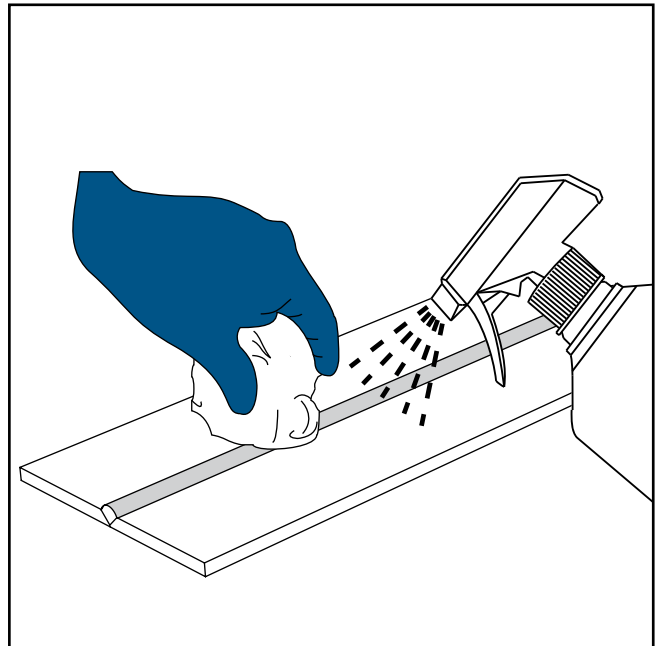
- Débrancher l'attache crocodile du câble de mise à la terre de la pièce usinée.
- Essuyer l'excès de solution électrolytique avec un chiffon en microfibre **54-B 090**.
- Utiliser la solution SURFOX-N sur la pièce traitée.



Il est très important de pulvériser la solution SURFOX-N sur la pièce ; ce produit neutralise tout électrolyte résiduel, évitant ainsi la formation de halos et de taches blanches (qui ne peuvent être éliminés qu'en répétant l'ensemble du processus).

Alternativement, il est possible de nettoyer la surface avec un jet d'eau abondant.

- Frotter la surface avec un chiffon en microfibre **57-M 001**.
- Sécher la surface à l'aide d'un chiffon sec en microfibre.



6.3. COUPURE

- Éteindre l'appareil en tournant l'interrupteur principal en position « O ».
- Débrancher la fiche de l'unité de la prise d'alimentation.
- Effectuer l'entretien de routine de l'appareil comme décrit au *chapitre 8.1*.
- Pour limiter tout impact environnemental, le tampon usagé et les liquides usagés doivent toujours être éliminés conformément aux règlements sur l'élimination des déchets en vigueur (voir *chapitre 9* pour plus d'informations).

7. MARQUAGE/GRAVURE (EN OPTION)

Grâce au kit standard de marquage/gravure électrochimique **54-B 080** et aux pochoirs de sérigraphie (tous deux en option), le SURFOX MAX peut être utilisé pour marquer l'acier inoxydable ; avec cette fonction, on peut imprimer instantanément n'importe quel logo sur l'acier inoxydable.

Le marquage/gravure électrochimique utilise le principe de l'électrolyse par des **liquides neutres qui ne sont ni irritants ni corrosifs**.

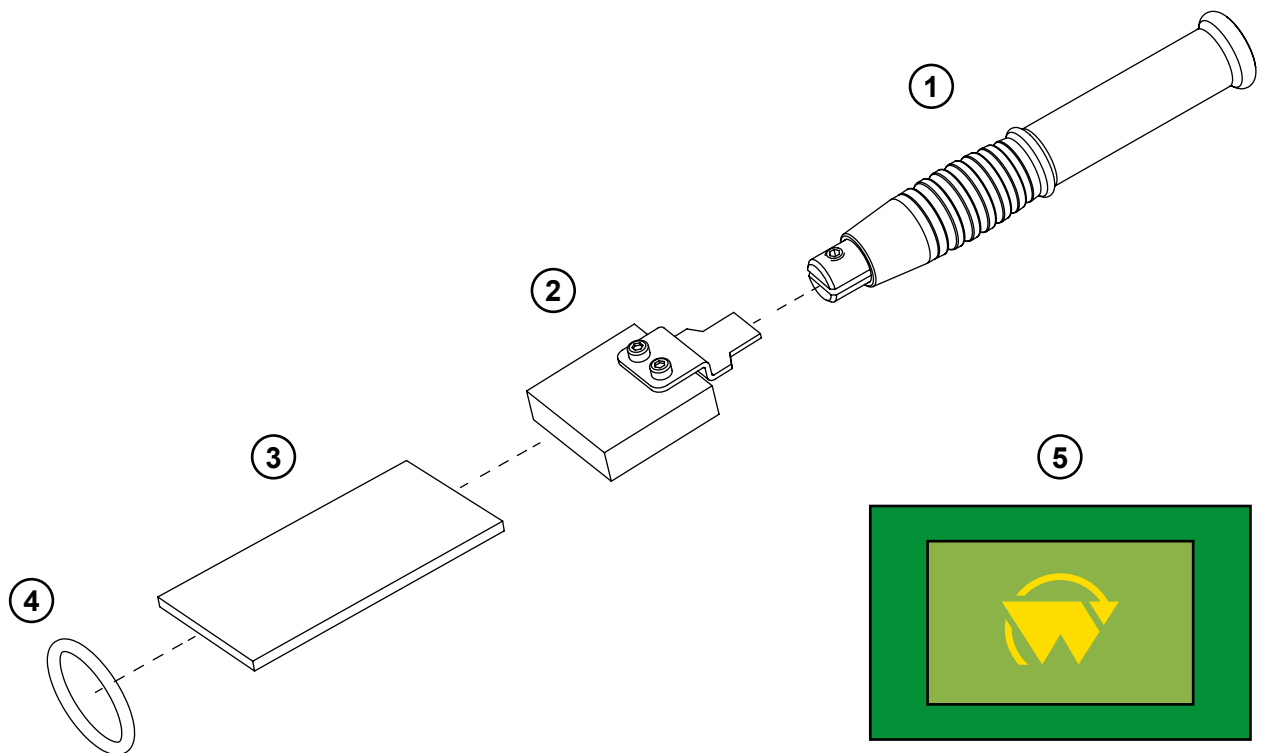
Les dimensions standard d'un pochoir de sérigraphie vont d'un minimum de 25x15 mm à un maximum de 257x170 mm. S'il est utilisé correctement, le pochoir peut être utilisé pour environ 500 marquages sans avoir à le remplacer. Cependant, la durée des pochoirs dépend également d'autres facteurs importants tels que sa taille ou la densité de l'arrière-plan qui compose les graphismes.

WALTER vous donne également la possibilité d'acheter le kit de marquage Pro **54-B 081** (compatible uniquement pour PC) pour la fabrication de pochoirs jetables particulièrement adaptés au marquage des numéros de série, des logos et des plaques CE



N'utiliser que des kits et des pochoirs de marquage d'origine. Les produits non certifiés, tels que les solutions d'électrolyte inadaptées ou les inserts et tampons de marquage non spécialement conçus pour cette fonction, pourraient causer des dommages permanents à l'appareil et à la pièce. Pour acheter les kits de marquage, les écrans de sérigraphie personnalisés ou l'imprimante, contacter la **Division Graphique de WALTER** (walter.com).

7.1. APERÇU DES ACCESSOIRES BAGUETTE DE MARQUAGE/GRAVURE



1	54-B 200	Baguette marquage/gravure	en option	p. 26
2	54-B 088	Insert graphite de marquage 35 x 10 mm	en option	p. 27
3	54-B 083	Tampon de marquage pour insert graphite 35 x 10 mm	en option	p. 27
4	54-B 089	Joint torique pour insert de marquage 35 x 10 mm	en option	p. 27
5	-	Pochoir	en option	p. 26

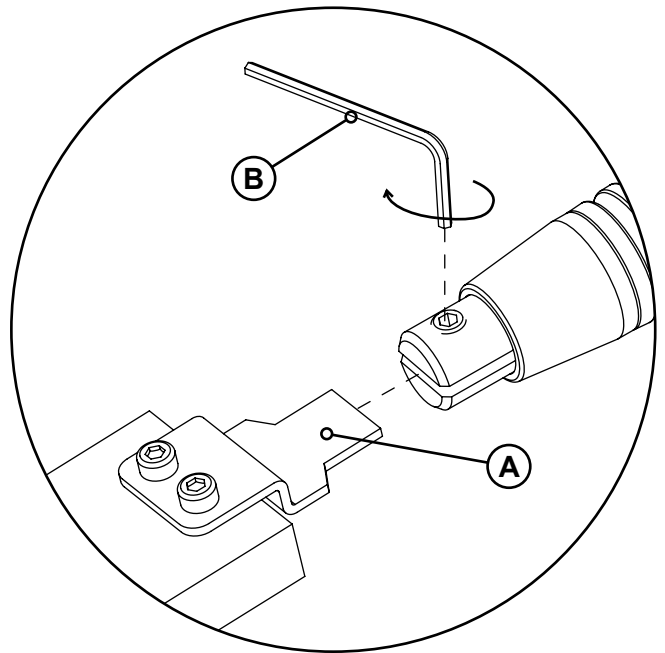
Le **Service Clientèle de WALTER** (walter.com) est à votre disposition pour toute information supplémentaire.

7.2. INSTALLATION DES POCHOIRS



Lors de l'installation des inserts, la baguette de marquage/gravure ne doit pas être connectée à l'appareil.

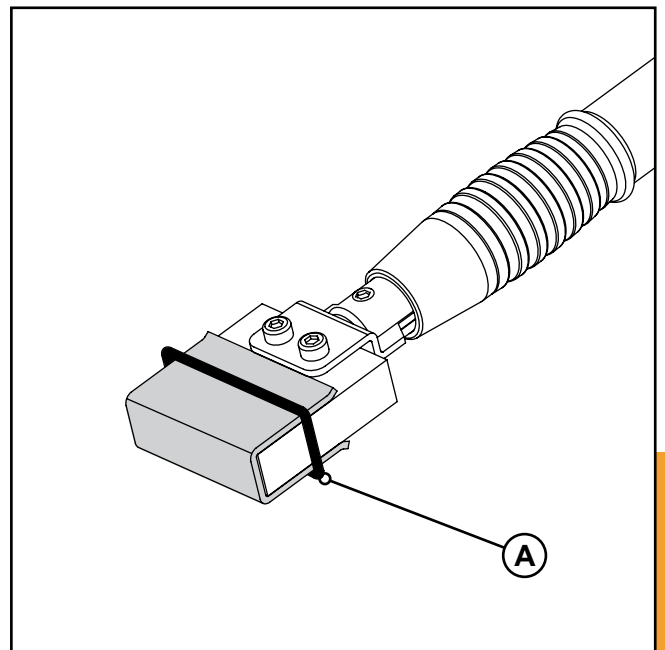
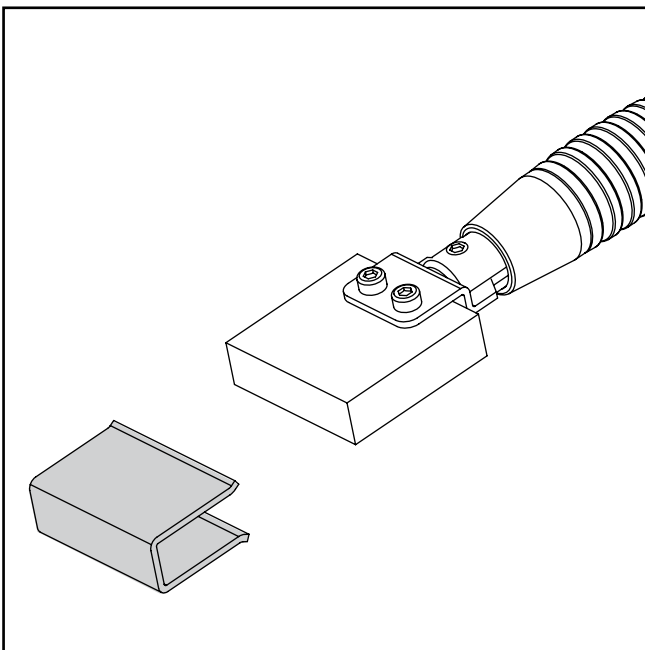
- Prendre le pochoir **54-B 088**.
- Insérer la languette d'accouplement (A) dans la fente prévue de la baguette marquage/gravure.
- Serrer la vis de réglage à l'aide d'une clé hexagonale de 2,5 mm (B).



7.3. MONTAGE D'UN TAMPON SUR L'INSERT DE MARQUAGE



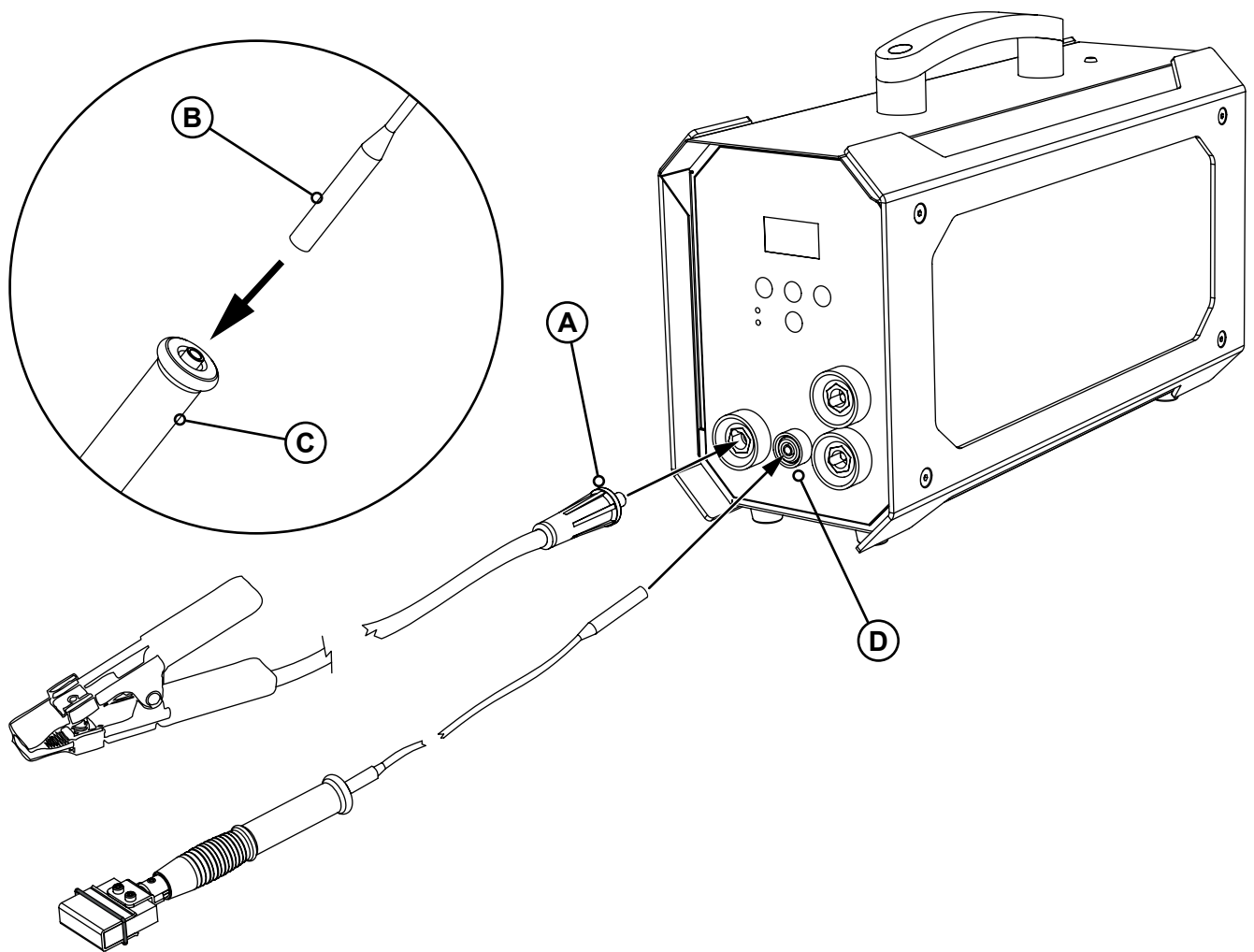
Lors de l'installation du tampon, la baguette de marquage/gravure ne doit pas être connectée à l'appareil.



- Installer l'insert **54-B 088** sur la baguette marquage/gravure (voir *chapitre 7.2*).
- Plier le tampon **54-B 083** en forme de « U » et le coller sur l'électrode.
- Fixer le tampon en place à l'aide du joint torique **54-B 089** (A).

7.4. INSTALLATION ÉLECTRIQUE

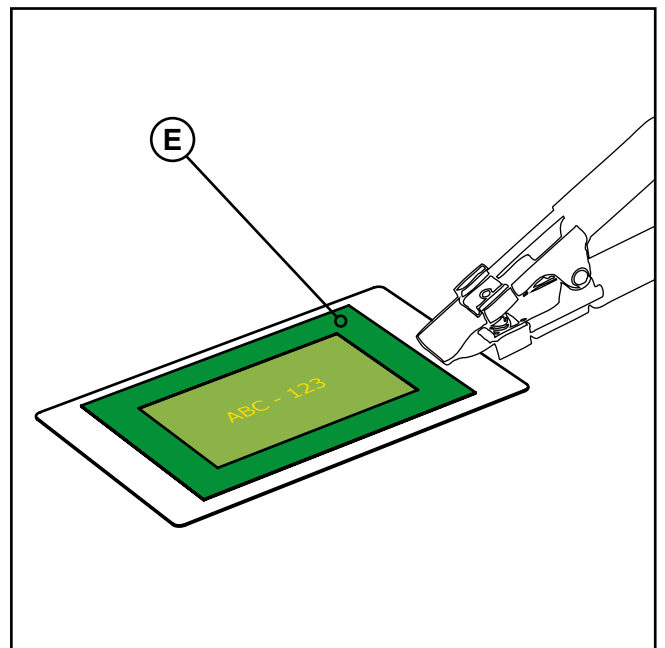
- Connecter le connecteur du câble de terre (A) à la prise rouge sur le panneau avant de l'unité.
- Utiliser le câble de connexion (B) pour effectuer l'installation électrique de la baguette de marquage/gravure ; connecter une extrémité au couplage approprié sur la baguette (C) et l'autre dans la prise désignée sur le panneau avant de l'appareil (D).



- Poser le pochoir (E) sur la pièce à marquer/graver et vérifier que toutes les opérations préliminaires décrites au chapitre 5 ont été effectuées correctement. En particulier, s'assurer que l'attache crocodile du câble de mise à la terre a été fixée à la pièce en acier inoxydable à traiter.



Avant d'utiliser un nouveau pochoir, il est recommandé de l'utiliser sur une surface d'échantillon pour effectuer des marquages de test afin d'ouvrir complètement ses mailles et d'obtenir une image optimale.




7.5. DÉMARRER LE TRAITEMENT

- Choisir le liquide le plus approprié en fonction du type de marquage à effectuer :
 - ◇ **SURFOX-M**, pour le marquage ; le résultat sera une marque sombre et très contrastée sur la pièce.
 - ◇ **SURFOX-E**, pour la gravure ; le résultat sera un marquage clair et léger en raison du principe d'érosion par étincelle.
- Verser quelques gouttes de solution électrolytique (A) sur le tampon de marquage.



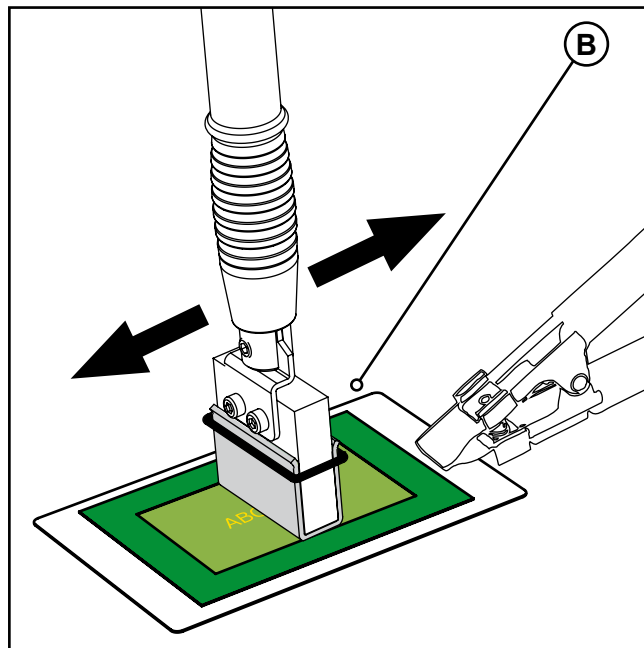
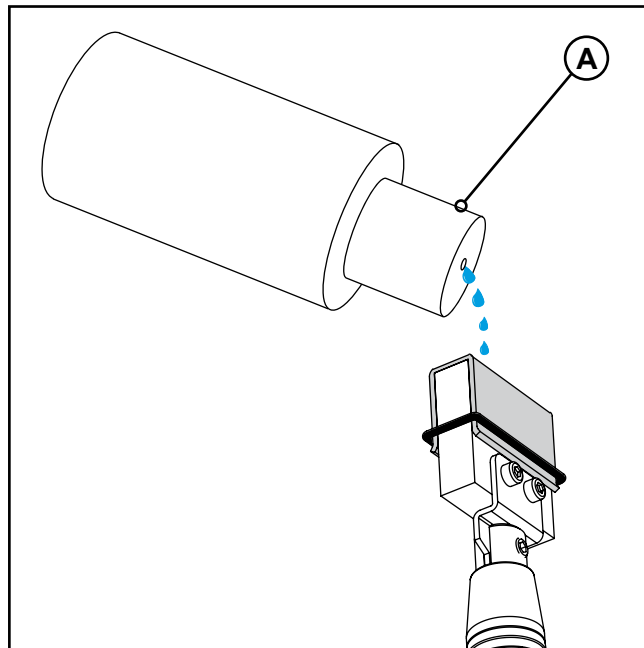
Le tampon humidifié avec la solution électrolytique permet de réaliser environ 15 marquages consécutifs, après quoi il doit être réhumidifié.

- Allumer l'appareil en tournant l'interrupteur principal (situé sur le panneau arrière de l'appareil) en position « I ».
- Sélectionner le mode de fonctionnement souhaité en appuyant sur le bouton **MODE** sur le panneau de commande (voir *chapitre 3.3* pour plus d'informations).
- Contrairement au nettoyage et au polissage, le processus de marquage/gravure avec l'insert de 35 mm nécessite un minimum de courant, il n'est donc pas nécessaire de sélectionner une tension de fonctionnement particulière.
- Appuyer sur le bouton  du panneau de commande pour démarrer l'appareil.



Une fois démarré, l'appareil s'éteint automatiquement après environ 30 secondes d'inactivité. Il s'agit d'une mesure de précaution pour éviter que la baguette ne soit accidentellement alimentée en fin de traitement.


- Appliquer à plusieurs reprises le tampon de marquage humide sur le logo ou sur le texte qui doit être imprimé sur la surface en acier inoxydable (B).



- Rester à l'intérieur des bords du pochoir pour éviter de marquer l'acier à l'extérieur de la zone souhaitée.
- Toujours garder le tampon bien humidifié avec la solution électrolytique pour éviter une surchauffe et une réduction significative de sa durée de vie ; s'il y a des signes évidents d'usure, remplacer immédiatement le composant.
- Ne jamais utiliser un insert sans son tampon assorti ; l'insert ne doit jamais être placé en contact direct avec le pochoir.
- L'appareil fournit automatiquement la tension appropriée lorsque le mode de fonctionnement de marquage est sélectionné. Ne pas appuyer sur les boutons - et + du panneau de commande pour régler la puissance de sortie, sinon un certain nombre de problèmes peuvent survenir, tels que :
 - ◇ Marquages faibles et/ou mal définis.
 - ◇ Brûlures sur le tampon de marquage.
 - ◇ Brûlures sur le pochoir.
 - ◇ Halos indésirables sur la pièce.

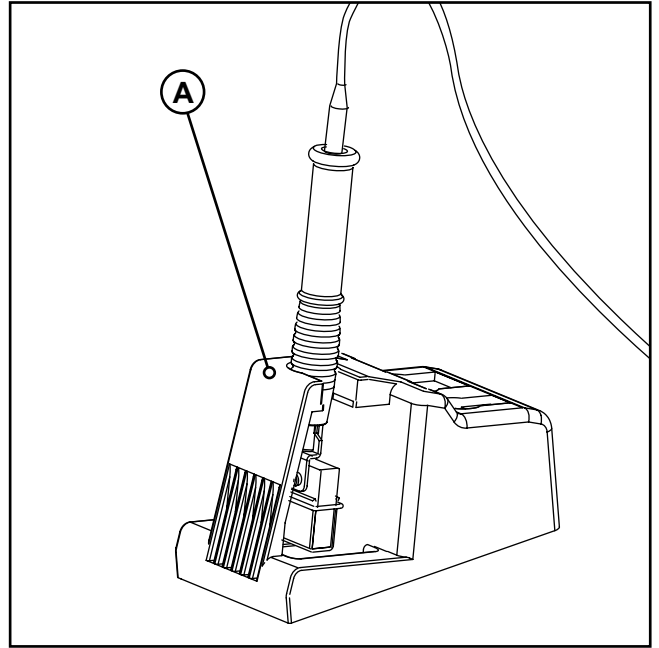


7.6. APRÈS LE TRAITEMENT

- Appuyer sur le bouton  du panneau de commande pour arrêter l'alimentation en courant de la baguette marquage/gravure.
- Remettre la baguette dans son support (A).



À la fin du traitement, toujours ranger la baguette et les autres accessoires de manière appropriée. Si la baguette devait rester accidentellement alimentée tout en reposant sur la pièce traitée, le processus de marquage électrochimique se poursuivrait sur chaque portion d'acier inoxydable en contact avec le tampon et l'endommagerait de manière permanente. Ne jamais placer la baguette sur le dessus de l'appareil pendant les pauses ou à la fin du traitement, car la solution d'électrolyte pourrait s'égoutter du tampon humidifié et pénétrer à l'intérieur de l'appareil. Toujours utiliser le support approprié et vider le bac de collecte si nécessaire. L'appareil doit en tout état de cause être conservé aussi propre que possible.

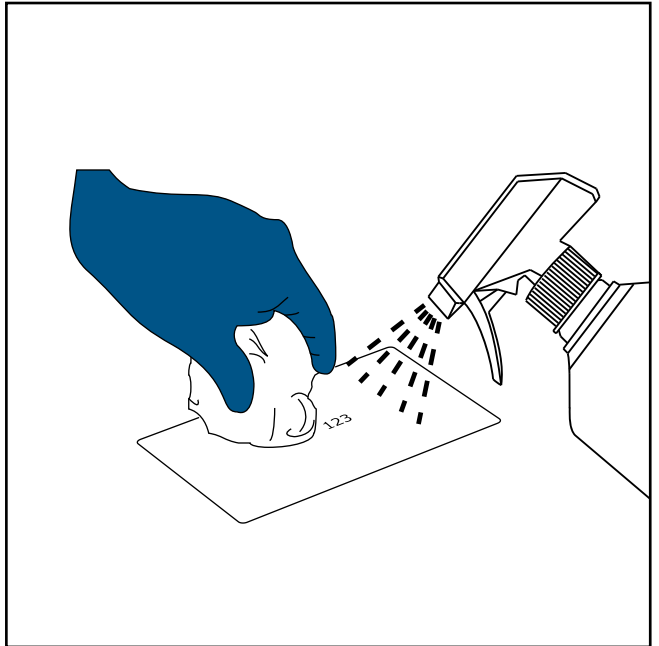


- Débrancher l'attache crocodile du câble de mise à la terre de la pièce usinée.
- Utiliser la solution SURFOX-N sur la pièce traitée.



Il est très important de pulvériser la solution SURFOX-N sur la pièce ; ce produit neutralise toute solution de marquage résiduelle, évitant ainsi la formation de halos et de taches blanches. Alternativement, il est possible de nettoyer la surface avec un jet d'eau abondant.

- Frotter la surface avec un chiffon en microfibre humidifié avec de l'eau propre.
- Sécher la surface à l'aide d'un chiffon sec en microfibre.



7.7. COUPURE

- Éteindre l'appareil en tournant l'interrupteur principal en position « O ».
- Débrancher la fiche de l'unité de la prise d'alimentation.
- Effectuer l'entretien de routine de l'appareil comme décrit au *chapitre 8.1*.
- Pour limiter tout impact environnemental, le tampon usagé et les liquides usagés doivent toujours être éliminés conformément aux règlements sur l'élimination des déchets en vigueur (voir *chapitre 9* pour plus d'informations).

8. ENTRETIEN

L'entretien doit être effectué sur l'appareil uniquement par des techniciens qualifiés autorisés par le fabricant.

WALTER n'est pas responsable des pertes ou dommages causés à l'appareil pendant les opérations de réparation effectuées par du personnel non spécifiquement formé pour cette tâche.

Le fabricant n'assume également aucune responsabilité en cas d'utilisation de pièces ou d'accessoires non originaux pendant les travaux d'entretien ; toute perte ou dommage direct ou indirect causé par une telle conduite est entièrement de la responsabilité du client.



Il est important de toujours procéder avec une extrême prudence lors des opérations d'entretien, en se rappelant de :

- Placer l'interrupteur principal en position « O ».
- Débrancher l'appareil du secteur.
- Si les opérations d'entretien nécessitent l'ouverture de l'appareil, toujours prendre le plus grand soin dans la manipulation des pièces internes, surtout si l'on soupçonne une perte de solution électrolytique du circuit hydraulique.
- Être prudent lorsque l'on retire des composants à l'intérieur de l'appareil, car les plaques et les supports peuvent avoir des bords tranchants.

Il est recommandé de consulter le *chapitre 1*, où toutes les règles de sécurité sont détaillées afin de pouvoir travailler sur l'appareil tout en minimisant les risques.

8.1. ENTRETIEN DE ROUTINE

AVANT CHAQUE CHANGEMENT DE QUART

- Vérifier l'usure de tous les composants de l'appareil et les remplacer si nécessaire ; utiliser uniquement des pièces de rechange d'origine.
- S'assurer que les prises, connecteurs et câbles utilisés sont en bon état ; la fiabilité de tous les équipements électriques doit toujours être garantie.
- Garder les fentes de ventilation de l'appareil propres pour s'assurer que ces ouvertures ne sont pas obstruées par des obstacles. Garder suffisamment d'espace autour de l'appareil pour assurer une ventilation adéquate.

PROCÉDURES DE NETTOYAGE À LA FIN DU QUART

Il est important de garder l'appareil aussi propre que possible.

- Retirer les brosses/tampons de l'adaptateur/insert pour éviter la formation d'incrustations sur l'électrode en raison de l'évaporation de la solution d'électrolyte.
- Neutraliser tous ces outils avec la solution SURFOX-N.
- Après la neutralisation, toujours rincer les brosses/tampons à l'eau propre et les sécher avec un chiffon sec en microfibre.
- Si les brosses/tampons présentent des signes évidents d'usure ou de brûlures, les remplacer immédiatement.
- Une fois refroidi, nettoyer l'insert de la baguette et la pointe avec de l'eau courante pour éviter la formation d'incrustations.
- Nettoyer les dépôts de poussière et de saleté à l'extérieur de l'appareil.
- Garder les bouches d'aération propres et exemptes de toute obstruction.
- Nettoyer le cordon d'alimentation pour éviter toute détérioration et vérifier les éventuels dommages au cordon et à la fiche.

8.2. ENTRETIEN EXTRAORDINAIRE

Les opérations d'entretien extraordinaires sont généralement effectuées par des techniciens spécialisés de la société **WALTER** ou par son réseau de centres de service agréés.

9. ÉLIMINATION ET MISE AU REBUT



Agir pour assurer une protection maximale de l'environnement.
Éliminer les déchets résiduels conformément aux réglementations environnementales fédérales, provinciales, étatiques et locales.

9.1. EMBALLAGE

Ce type de déchets est similaire aux déchets urbains et peut être éliminé dans les centres de déchets municipaux sans présenter une augmentation de menace pour les humains et l'environnement.

9.2. TAMPONS USAGÉS

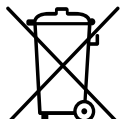
Ce sont des déchets spéciaux qui doivent être éliminés conformément aux lois applicables.

9.3. DÉCHETS LIQUIDES

Au cours du traitement (nettoyage et polissage), des métaux lourds se déposent dans les solutions électrolytiques utilisées : les liquides utilisés doivent donc être considérés comme des déchets spéciaux et doivent être éliminés conformément aux lois en vigueur dans le pays d'utilisation.

Se reporter à la fiche de données de sécurité **WALTER** des solutions de nettoyage des électrolytes SURFOX.

9.4. APPAREILS ET ÉQUIPEMENTS OBSOLÈTES



Ils doivent être considérés comme des déchets spéciaux, à éliminer selon le type. En référence à la Directive CE-2002/96 relative aux déchets d'équipements électriques et électroniques (DEEE), l'utilisateur, lors de l'élimination des matériaux, doit séparer les composants électriques et électroniques et les éliminer dans des centres de collecte agréés appropriés, ou les retourner au vendeur avec le produit toujours installé.

10. DÉCLARATION DE CONFORMITÉ

Exova
121 Boulevard Hymus
Pointe-Claire
Québec
Canada
H9R 1E6

T: +1 (514) 697-3273
F: +1 (514) 697-2090
C: ventes@exova.com
W: www.exova.com



CERTIFICAT D'ANALYSE

J. WALTER COMPANY LTD. 5977 TRANS CANADA HIGHWAY POINTE-CLAIRE, Québec H9R 1C1 Demandé par Nathalie Vézina X2848	Échantillon: 48842 Demande : 22157 COA: 23754 Impression: 2 Date: 2013-02-15	Nature: NA Forme: NA Condition: Not Applicable Thickness:
---	---	--

PO 230113NV **Customer's ID:** 2 échantillons 3" X 3" pré-passivés et identifiés **Material:** acier inoxydable
SURFOX-G échantillons 1 et 2

Description: Échantillons nettoyés et passivés selon ASTM A-380

Label: SURFOX-G échant 1		ESSAI BROUILLARD SALIN	
Test	Unité	Résultat	
# d'échantillon		2	
Specimen type		Panels	
Dimensions	inch.	3X3	
Temp. Chambre	°F	92-97	
Période d'exposition	hrs	2.5	
Angle		15-30°	
pH		6.5-7.2	
Concentration de la solution	% NaCl	4-6	
Taux de Collection	ml/hr/80cm ²	1.0-2.0	
Type d'eau	ASTM	Type IV	
Pureté du sel		99.95%	
Conc. du cuivre	ppm	< 0.3	
Total autres impuretés		< 0.3%	
Conc. d'halogène		< 0.1%	
Observation		See comments	

Testé selon: ASTM B117-11

TEST DE CORROSION au brouillard salin selon ASTM A8967-05 Pratique C.

Résultats après 2.5 heures d'exposition :
Surfox-G échantillon 1: pas de corrosion
Surfox-G échantillon 2: pas de corrosion

Issue 2: Pour corriger une erreur d'identification de l'issue 1, daté le 2013-02-08

Exova
121 Boulevard Hymus
Pointe-Claire
Québec
Canada
H9R 1E6

T: +1 (514) 697-3273
F: +1 (514) 697-2090
C: ventes@exova.com
W: www.exova.com



CERTIFICAT D'ANALYSE

J. WALTER COMPANY LTD.	Échantillon: 48842	Nature: NA
5977 TRANS CANADA HIGHWAY	Demande : 22157	Forme: NA
POINTE-CLAIRE, Québec	COA: 23754	Condition: Not Applicable
H9R 1C1	Impression: 2	Thickness:
Demandé par Nathalie Vézina X2848	Date: 2013-02-15	

PO	230113NV	Customer's ID:	2 échantillons 3" X 3" pré-passivés et identifiés SURFOX-G échantillons 1 et 2	Material:	acier inoxydable
-----------	----------	-----------------------	--	------------------	------------------

Description: Échantillons nettoyés et passivés selon ASTM A-380

Label: SURFOX-G échant 1	SERVICES TECHNIQUES **
---------------------------------	-------------------------------

TEST D'IMMERSION selon ASTM A967-05 pratique A.
Les panneaux étaient dans l'eau distillée pendant une heure suivi d'un séchage d'une heure à l'air dans un dessiccateur. Ce cycle a été répété 12 fois. Résultats à la fin du test :
Surfox-G échantillon 1: Pas de particules métalliques observées sur la zone de test à la fin du cycle.
Surfox-G échantillon 2: Pas de particules métalliques observées sur la zone de test à la fin du cycle.

TEST D'HUMIDITÉ selon ASTM A967-05 pratique B.
Les panneaux avaient été préalablement nettoyés avec de l'acétone et séchés dans un dessiccateur, puis exposés dans un cabinet à 100% d'humidité avec une température de 38±3 °C pendant 24 heures. Résultats à la fin du test:
Surfox-G échantillon 1: Pas de rouille observée sur la zone de test.
Surfox-G échantillon 2: Pas de rouille observée sur la zone de test.

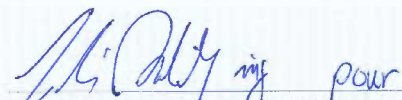
TEST DE SULFATE DE CUIVRE selon ASTM A967-05 pratique D.
La solution de test avait été préparée en dissolvant 4g de sulfate de cuivre dans 250 ml d'eau distillée, puis en y ajoutant 1 ml d'acide sulfurique. Les deux panneaux ont été immergés dans la solution bien diluée pendant au moins 6 minutes.
Résultats après le test :
Surfox-G échantillon 1: pas de dépôts de cuivre observé sur la zone de soudure.
Surfox-G échantillon 2: pas de dépôts de cuivre observé sur la zone de soudure.

TEST DE POTASSIUM FERRICYANIDE & ACIDE NITRIQUE selon ASTM A967-05 pratique E.
La solution de test avait été préparée en dissolvant 10g de ferricyanide de potassium dans 250 mL d'eau distillée, puis en ajoutant 30 mL d'acide nitrique 70%. A l'aide d'un coton la solution a été frottée sur la zone de test des panneaux pendant 30 secondes.
Résultats après le test
Surfox-G échantillon 1: Pas de formation de taches bleues sur la zone de test indiquant la présence de particules de fer.
Surfox-G échantillon 2: Pas de formation de taches bleues sur la zone de test indiquant la présence de particules de fer.

Chaque essai a été réalisé sur un panneau différent.

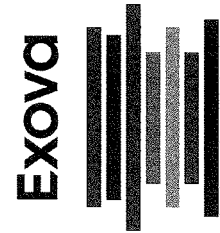
Issue 2: Pour corriger une erreur d'identification de l'issue 1, daté le 2013-02-08

Les échantillons aérospatiaux/militaires seront conservés 6 mois, voir les termes et conditions pour tout autre échantillon.
L'enregistrement de données ou entrées fausses, factices ou frauduleuses sur ce document sera considéré comme délit criminel selon les lois fédérales.
* Signifie que le laboratoire est accrédité par ISO 17025 pour la méthode identifiée, mais pas par NadCap.
** Signifie que le laboratoire n'est pas accrédité par ISO 17025 ou NadCap pour la méthode identifiée.


Pascal Roussy, ing./Eng. #125772, Manager,
Metallurgy and Mechanical Testing

Exova
121 Boulevard Hymus
Pointe-Claire
Québec
Canada
H9R 1E6

T: +1 (514) 697-3273
F: +1 (514) 697-2090
C: ventes@exova.com
W: www.exova.com



CERTIFICAT D'ANALYSE

J. WALTER COMPANY LTD. 5977 TRANS CANADA HIGHWAY POINTE-CLAIRE, Québec H9R 1C1 Demandé par Nathalie Vézina X2848	Échantillon: 31075 Demande : 13888 COA: 15177 Impression: 1 Date: 2010-11-19	Nature: NA Forme: NA Condition: Not Applicable Thickness:
---	---	--

PO	08112010-NV	Client's ID	Description	Description
			8 panneaux 3" X 10" - 4 panneaux identifiée Surfox- H et 4 panneaux identifiée Surfox-T	Les échantillons reçu ont été effectués en respectant les normes de nettoyage de passivation ASTM A380

Label: Surfox-H and T

SERVICES TECHNIQUES: **

TEST D'IMMERSION selon ASTM A967-05 pratique A.

Les deux panneaux étaient plongés dans de l'eau distillée pendant 1 heure suivi d'un séchage d'une heure dans un dessiccateur, ce cycle était répété 12 fois.

Résultats à la fin du test :

Surfox-H : Pas de particules métalliques observées sur la zone de test à la fin du cycle.
Surfox-T : Pas de particules métalliques observées sur la zone de test à la fin du cycle.

Les échantillons aérospatiaux/militaires seront conservés 6 mois, voir les termes et conditions pour tout autre échantillon.
L'enregistrement de données ou entrées fausses, factices ou frauduleuses sur ce document sera considéré comme délit criminel selon les lois fédérales.

* Signifie que le laboratoire est accrédité par ISO 17025 pour la méthode identifiée, mais pas par NadCap.
** Signifie que le laboratoire n'est pas accrédité par ISO 17025 ou NadCap pour la méthode identifiée.

Fadi Saliby, Ing.

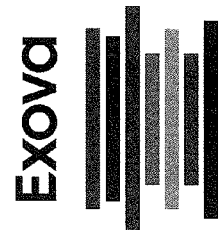
1 de 1

LES RÉSULTATS NE SE RAPPORTENT QU'AUX ÉCHANTILLONS SOUMIS AUX ESSAIS
CE RAPPORT NE DOIT PAS ÊTRE REPRODUIT, SINON EN ENTIER, SANS L'AUTORISATION ÉCRITE DU LABORATOIRE.

Accredited
NadcapTM
Materials Testing Laboratory
Pointe-Claire Laboratory

Exova
121 Boulevard Hymus
Pointe-Claire
Québec
Canada
H9R 1E6

T: +1 (514) 697-3273
F: +1 (514) 697-2090
C: ventes@exova.com
W: www.exova.com



CERTIFICAT D'ANALYSE

J. WALTER COMPANY LTD. 5977 TRANS CANADA HIGHWAY POINTE-CLAIRE, Québec H9R 1C1 Demandé par Nathalie Vézina X2848	Échantillon: 31076 Demande : 13888 COA: 15178 Impression: 1 Date: 2010-11-19	Nature: NA Forme: NA Condition: Not Applicable Thickness:
---	---	--

PO	08112010-NV	Client's ID	Description	
			8 panneaux 3" X 10" - 4 panneaux identifiée Surfox- H et 4 panneaux identifiée Surfox-T	Les échantillons reçu ont été effectués en respectant les normes de nettoyage de passivation ASTM A380

Label: Surfox-H and T

SERVICES TECHNIQUES: **

TEST D'IMMIDITÉ selon ASTM A967-05 pratique B.

Les deux panneaux avaient été préalablement nettoyés avec de l'acétone et séchés dans un dessiccateur, puis exposés dans un cabinet à 100% d'humidité avec une température de 38 ± 3 °C pendant 24 heures.

Résultats à la fin du test:

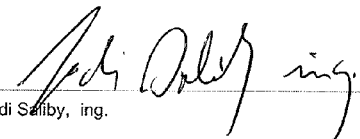
Surfox-H : pas de rouille observée sur la zone de test.
Surfox-T : pas de rouille observée sur la zone de test.

Les échantillons aérospatiaux/militaires seront conservés 6 mois, voir les termes et conditions pour tout autre échantillon. L'enregistrement de données ou entrées fausses, faciles ou frauduleuses sur ce document sera considéré comme délit criminel selon les lois fédérales.

* Signifie que le laboratoire est accrédité par ISO 17025 pour la méthode identifiée, mais pas par NadCap.

** Signifie que le laboratoire n'est pas accrédité par ISO 17025 ou NadCap pour la méthode identifiée.

Fadi Saliby, ing.



Exova
121 Boulevard Hymus
Pointe-Claire
Québec
Canada
H9R 1E6

T: +1 (514) 697-3273
F: +1 (514) 697-2090
C: ventes@exova.com
W: www.exova.com



CERTIFICAT D'ANALYSE

J. WALTER COMPANY LTD. 5977 TRANS CANADA HIGHWAY POINTE-CLAIRE, Québec H9R 1C1 Demandé par Nathalie Vézina X2848	Échantillon: 31077 Demande : 13888 COA: 15179 Impression: 1 Date: 2010-11-19	Nature: NA Forme: NA Condition: Not Applicable Thickness:
---	---	--

PO	08112010-NV	Client's ID	8 panneaux 3" X 10" - 4 panneaux identifiée Surfox- H et 4 panneaux identifiée Surfox-T	Description	Les échantillons reçu ont été effectués en respectant les normes de nettoyage de passivation ASTM A380
----	-------------	-------------	--	-------------	--

Label: Surfox-H and T		ESSAI BROUILLARD SALIN	
Test	Unité	Résultat	
# d'échantillon		2	
Specimen type		Panels	
Dimensions	inch.	3X10	
Temp. Chambre	°F	92-97	
Période d'exposition	hrs	3	
Angle		15-30°	
pH		6.5-7.2	
Densité		1.0255-1.040	
Taux de Collection	ml/hr/80cm ²	1.0-2.0	
Type d'eau	ASTM	Type IV	
Pureté du sel		99.95%	
Conc. du cuivre	ppm	< 0.3	
Total autres impuretés		< 0.3%	
Conc. d'halogène		< 0.1%	
Observation		Voir ci-dessous	

Testé selon: SOP-54-009-93 (ASTM B117-09)

TEST DE CORROSION au brouillard salin selon ASTM A8967-05 Pratique C.

Résultats après 3 heures d'exposition :

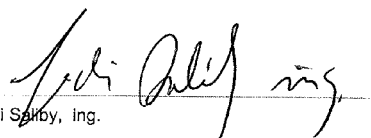
Surfox-H : pas de corrosion

Surfox-T : pas de corrosion

Les échantillons aérospatiaux/militaires seront conservés 6 mois, voir les termes et conditions pour tout autre échantillon.
L'enregistrement de données ou entrées fausses, factices ou frauduleuses sur ce document sera considéré comme délit criminel
selon les lois fédérales.

* Signifie que le laboratoire est accrédité par ISO 17025 pour la méthode identifiée, mais pas par NadCap.

** Signifie que le laboratoire n'est pas accrédité par ISO 17025 ou NadCap pour la méthode identifiée.


Fadi Salby, ing.

1 de 1

LES RÉSULTATS NE SE RAPPORTENT QU'AUX ÉCHANTILLONS SOUMIS AUX ESSAIS
CE RAPPORT NE DOIT PAS ÊTRE REPRODUIT, SINON EN ENTIER, SANS L'AUTORISATION ÉCRITE DU LABORATOIRE.



Materials Testing Laboratory
Pointe-Claire Laboratory

Exova
121 Boulevard Hymus
Pointe-Claire
Québec
Canada
H9R 1E6

T: +1 (514) 697-3273
F: +1 (514) 697-2090
C: ventes@exova.com
W: www.exova.com



CERTIFICAT D'ANALYSE

J. WALTER COMPANY LTD. 5977 TRANS CANADA HIGHWAY POINTE-CLAIRE, Québec H9R 1C1 Demandé par Nathalie Vézina X2848		Échantillon: 31078 Demande : 13888 COA: 15180 Impression: 1 Date: 2010-11-19	Nature: NA Forme: NA Condition: Not Applicable Thickness:	
PO	08112010-NV	Client's ID	8 panneaux 3" X 10" - 4 panneaux identifiée Surfox- H et 4 panneaux identifiée Surfox-T	Description Les échantillons reçu ont été effectués en respectant les normes de nettoyage de passivation ASTM A380
Label: Surfox-H and T		SERVICES TECHNIQUES: **		

TEST DE SULFATE DE CUIVRE selon ASTM A967-05 pratique D.

La solution de test avait été préparée en dissolvant 4g de sulfate de cuivre dans 250 ml d'eau distillée à cela 1 ml d'acide sulfurique était ajouté. Les deux panneaux ont été immergés dans la solution bien diluée pendant au moins 6 minutes.

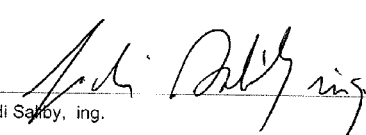
Résultats après le test :

Surfox-H : pas de dépôts de cuivre observé sur la zone de soudure.
 Surfox-H : pas de dépôts de cuivre observé sur la zone de soudure.

Les échantillons aérospatiaux/militaires seront conservés 6 mois, voir les termes et conditions pour tout autre échantillon.
 L'enregistrement de données ou entrées fausses, factices ou frauduleuses sur ce document sera considéré comme délit criminel selon les lois fédérales.

* Signifie que le laboratoire est accrédité par ISO 17025 pour la méthode identifiée, mais pas par NadCap.

** Signifie que le laboratoire n'est pas accrédité par ISO 17025 ou NadCap pour la méthode identifiée.


 Fadi Salby, ing.

11. CONDITIONS GÉNÉRALES DE GARANTIE

- Le SURFOX MAX et ses accessoires sont inspectés et testés avant l'expédition et sont garantis exempts de tout défaut de matériau et de fabrication défectueuse
- Les appareils construits par **WALTER** sont garantis contre les défauts de matériaux et de fabrication pendant une période de 24 mois après la date d'achat d'origine.
- Si un examen montre que le dysfonctionnement a été causé par un matériau défectueux ou une fabrication défectueuse, **WALTER** réparera (ou à notre choix, remplacera l'appareil) sans frais.
- En cas d'utilisation inappropriée, **WALTER** ne sera pas responsable de l'un des cas suivants :
 - ◇ Blessures corporelles (mineures, modérées ou mortelles) à l'utilisateur ou à un tiers.
 - ◇ Dommages matériels à proximité de l'appareil ou dommages à l'appareil lui-même.
 - ◇ Performances de l'appareil inférieures aux attentes.
 - ◇ Utilisation en violation des réglementations applicables.
 - ◇ Installation incorrecte de l'appareil.
 - ◇ Utilisation d'une alimentation électrique non conforme aux spécifications de l'équipement.
 - ◇ Grave manque d'entretien.
 - ◇ Modifications ou ajustements non autorisés.
 - ◇ Utilisation de pièces de rechange non originales ou de pièces de rechange non spécifiques à cette gamme de modèles.
 - ◇ Utilisation de liquides non recommandés par **WALTER** ou non spécifiques à cette gamme de modèles.
 - ◇ Le non-respect, en tout ou en partie, des instructions.
 - ◇ Conditions exceptionnelles.
 - ◇ Autres utilisations inappropriées.
- Les travaux couverts par la garantie seront effectués à l'usine **WALTER** ou au centre de service agréé dans les conditions suivantes :
 - ◇ La garantie ne s'applique pas lorsque l'entretien normal est requis.
 - ◇ Les frais de fret, d'emballage et d'expédition sont toujours à la charge de l'utilisateur et les marchandises voyagent aux risques et périls de l'utilisateur ; nous devons recevoir le fret matériel prépayé et convenablement emballé.
 - ◇ La garantie ne s'applique pas aux produits qui ont été démontés, réparés ou altérés de quelque manière que ce soit par un personnel non autorisé, ou si le numéro de série a été supprimé ou modifié.
 - ◇ Les pannes résultant de coups, de négligence, d'une mauvaise utilisation, d'une alimentation électrique incorrecte ou d'erreurs de correction ne sont pas couvertes par la garantie.
 - ◇ La garantie ne couvre pas les dommages causés par des accidents, des modifications, l'utilisation d'accessoires inappropriés, l'abus ou la mauvaise utilisation, qui comprend également la surcharge de l'outil au-delà de sa capacité nominale ainsi que son utilisation continue après une panne partielle.
 - ◇ Les composants accessoires extensibles de l'appareil ne sont pas couverts par la garantie.
 - ◇ La garantie couvre les matériaux et la main-d'œuvre nécessaires aux opérations de remplacement. Les frais de transport, de déplacement, etc. ne sont pas inclus et seront facturés au prix coûtant.
- Aucune autre garantie, écrite ou verbale, n'est autorisée.
- En aucun cas, **WALTER** ne sera responsable des dommages indirects, accessoires ou consécutifs causés par la vente du produit. Cette clause de non-responsabilité s'applique pendant et après la durée de cette garantie.
- La présente garantie vous confère des droits spécifiques. Les dispositions contenues dans cette garantie ne sont pas destinées à limiter, modifier, retirer, décliner ou exclure toute garantie énoncée dans toute législation provinciale ou étatique. Dans la mesure requise par la loi, les dispositions de toute législation provinciale, étatique ou fédérale en matière de garanties prévalent sur les dispositions de la présente garantie.

12. RÉPARATION ET SERVICE

- Après la période de garantie, notre service après-vente sera à la disposition du client pour tout ajustement et/ou réparation des appareils que nous avons produits. Les coûts relatifs seront soumis pour approbation sous la forme d'un devis (si demandé) ou facturés sur une base de temps et de matériaux.
- S'il est nécessaire de renvoyer le SURFOX MAX à l'usine **WALTER** ou au centre de service agréé, tout l'équipement doit être soigneusement préparé et emballé pour assurer une expédition en toute sécurité :
 - ◇ Nettoyer, neutraliser et sécher tous les accessoires.
 - ◇ Nettoyer l'appareil.
 - ◇ Utiliser le carton d'expédition d'origine.
 - ◇ Utiliser un emballage suffisant.
 - ◇ Expédier sur une petite palette.
 - ◇ S'assurer d'inclure un document d'expédition avec une description détaillée du problème, le nom de l'entreprise, l'adresse, le numéros de téléphone, de télécopieur et de la personne de contact.



Recueillir tout le liquide dans un récipient approprié résistant aux acides.

WALTER n'est pas responsable des pertes ou dommages causés aux personnes ou aux biens en raison de la fuite de solution électrolytique des accessoires de nettoyage pendant les opérations d'emballage et d'expédition aux centres de service.

13. SPÉCIFICATIONS TECHNIQUES

Modèle	SURFOX MAX	
Référence	54-D 096	54-D 095
Tension d'entrée	120 V - 50/60 Hz	230 V - 50/60 Hz
Puissance d'entrée	1200 W	2400 W
Courant d'entrée	10 A	
Tension de sortie	3÷30 V	
Ajustement de la tension de sortie	1V	
Classe d'isolation	IP21S	
Niveau de bruit	<65 dB (A)	
Poids (vide)	20 lb (9,2 kg)	
Dimensions	6.1" x 10.8" x 16.1" (155 x 275 x 410 mm)	
Baguettes	Baguette DW Baguette de marquage *	
Fonctions	Nettoyage Polissage Marquage	

* en option



Walter Surface Technologies Inc.
810 Day Hill Road
Windsor, CT 06095, USA
Téléphone : 860-298-1100
Service client : 800-522-0321
Assistance technique : 1-866-592-5837

SURFOX MAX

MANUAL DO UTILIZADOR



SURFOX
website

ÍNDICE

1. Segurança	5
1.1. Equipamento de proteção individual (EPI).....	6
1.2. Sistemas de proteção integrados no dispositivo.....	8
1.3. Riscos residuais.....	8
1.4. Medidas de primeiros socorros.....	8
2. Características do dispositivo	9
2.1. Campos de aplicação.....	9
2.2. Noções básicas de passivação.....	9
2.3. Transporte e armazenamento do dispositivo.....	9
2.4. Componentes do dispositivo.....	10
2.5. Como montar o suporte da varinha.....	12
3. Painel de controlo	13
3.1. Descrição geral.....	13
3.2. Mudar o idioma.....	13
3.3. Estrutura de menu.....	14
3.4. Mensagens de alarme.....	15
4. Acessórios de montagem na varinha DW	16
4.1. Visão geral dos acessórios da varinha DW.....	16
4.2. Instalação do adaptador/inserção da escova.....	17
4.3. Montagem da escova DW.....	18
4.4. Almofada de montagem no inserto de grafite de 45 mm.....	19
4.5. Almofada de montagem no inserto de grafite de 100 mm.....	20
5. Antes do arranque do dispositivo	21
5.1. Precauções para a utilização do dispositivo.....	21
5.2. Instalação elétrica.....	22
6. Limpeza e polimento de soldas	23
6.1. Início do processamento.....	23
6.2. Após o processamento.....	25
6.3. Desligamento.....	25
7. Marcação/gravação (opcional)	26
7.1. Visão geral dos acessórios da varinha de marcação/gravação.....	26
7.2. Marcação da instalação da inserção.....	27
7.3. Montar um calço na inserção de marcação.....	27
7.4. Instalação elétrica.....	28
7.5. Início do processamento.....	29
7.6. Após o processamento.....	30
7.7. Desligamento.....	30
8. Manutenção	31
8.1. Manutenção de rotina.....	31
8.2. Manutenção extraordinária.....	31
9. Eliminação e desmantelamento	32
9.1. Embalagem.....	32
9.2. Almofadas usadas.....	32
9.3. Resíduos líquidos.....	32
9.4. Dispositivos e equipamentos obsoletos.....	32
10. Declaração de Conformidade	33
11. Condições gerais de garantia	39
12. Reparação e manutenção	40
13. Especificações técnicas	41

É necessário ler atentamente as instruções deste manual antes de qualquer operação.

Este manual fornece as principais informações para a instalação adequada e segura, arranque, operação e manutenção do dispositivo.

Este manual destina-se a familiarizar o utilizador com esta unidade, as suas características específicas, aplicações, limitações e as sugestões e recomendações do fabricante.

O manual é parte integrante do dispositivo e deve ser armazenado com cuidado até que a unidade seja desmontada.

Este manual reflete o estado do dispositivo no momento da entrega e não pode ser considerado inadequado simplesmente por causa de atualizações posteriores baseadas em experiência adicional.

Este dispositivo é construído com durabilidade extra para suportar as exigências pesadas do uso industrial. No entanto, tal como qualquer equipamento elétrico, devem ser sempre tomados cuidados e segurança ao usar e manter este valioso investimento. Com o cuidado e manutenção adequados, a sua unidade irá fornecer-lhe anos de serviço fiável.



O DEPARTAMENTO DE ASSISTÊNCIA AO CLIENTE WALTER (walter.com) está à sua disposição para fornecer toda a informação de marketing e do utilizador.

1. SEGURANÇA



O SURFOX MAX de **WALTER** é produzido de acordo com as normas aplicáveis que regem o fabrico, o desempenho e a segurança dos produtos industriais.



Todas as pessoas responsáveis pela instalação, operação, manutenção e reparação do dispositivo devem possuir as qualificações técnicas adequadas e devem cumprir meticulosamente as disposições deste manual do utilizador.

Para reduzir o risco de incêndio, choque elétrico e ferimentos pessoais, siga sempre as precauções básicas de segurança ao usar este equipamento.

OBRIGAÇÕES DA PESSOA RESPONSÁVEL PELO DISPOSITIVO

O proprietário do dispositivo e/ou qualquer pessoa responsável pela segurança é obrigado a:

- Assegurar que todos os utilizadores do dispositivo têm formação adequada no que respeita aos regulamentos atuais de saúde e segurança no trabalho.
- Certifique-se de que todos os utilizadores do dispositivo leram este manual do utilizador na sua totalidade e compreenderam tudo, em particular as secções sobre normas de segurança.
- Verificar periodicamente se todos os funcionários funcionam sempre em conformidade com as normas de segurança.
- Inspeccionar o equipamento regularmente para se certificar de que está a funcionar corretamente e a executar a função pretendida. As peças danificadas ou defeituosas devem ser reparadas ou substituídas imediatamente apenas por pessoal qualificado **WALTER**. Consulte a lista de peças sobressalentes para o número de encomenda e contacte um Centro de Assistência de Fábrica **WALTER** ou um Centro de Assistência Autorizada **WALTER**.
- Verificar periodicamente se todos os sinais de segurança afixados no dispositivo (placa de identificação, autocolantes com símbolos de perigo, etc.) estão claramente legíveis e não estão danificados, substituídos, removidos ou obscurecidos por outros objetos.

OBRIGAÇÕES DO UTILIZADOR

O pessoal autorizado a utilizar o dispositivo deve:

- Operar de acordo com os regulamentos atuais de saúde e segurança no trabalho.
- Ler atentamente este manual do utilizador, prestando especial atenção às secções sobre normas de segurança.
- Assinar um documento no qual eles declarem que leram e compreenderam este manual, e que se comprometem a seguir todas as instruções nele contidas.
- Quando trabalhar, use sempre vestuário e equipamento de proteção individual (consulte o *capítulo 1.1*).
- Utilize o dispositivo apenas conforme explicado neste manual; o uso indevido aumenta o risco de ferimentos pessoais acidentais e/ou danos materiais.
- Mantenha-se sempre alerta quando manusear esta unidade. Vejam o que estão a fazer. Use o senso comum. Não opere o dispositivo se estiver cansado. Nunca o deixe a funcionar sem supervisão.
- Não use a unidade se o interruptor não ligar e desligar.
- Segure na varinha com firmeza. Não exagere, mantenha sempre a boa posição e o equilíbrio.
- Mantenha a área de trabalho limpa e bem iluminada. Um ambiente desarrumado convida os acidentes. Remova qualquer material que possa ser incendiado por faíscas. Não use este equipamento na presença de líquidos inflamáveis ou gases. Mantenha as pegas limpas, secas e sem solução de limpeza, óleo e massa lubrificante. Não utilize em locais com chuva, humidade ou humidade.
- Tome as precauções adequadas e fixe sempre o dispositivo durante períodos em que a estação de trabalho não está tripulada (como durante pausas ou no final do turno).
- Não use indevidamente o cabo de alimentação. Nunca puxe ou levante esta unidade pelo seu cabo ou anel para a desligar da tomada. Mantenha o fio afastado do calor, do óleo e das extremidades afiadas. Verifique o cabo regularmente e peça-o para ser substituído por um Centro de Assistência de Fábrica **WALTER** ou por um Centro de Assistência Autorizada **WALTER**, se estiver danificado.
- Mantenha as crianças e outros afastados da área de trabalho. Certifique-se de que ninguém está debaixo de si quando trabalhar em lugares altos. Não permita que pessoas não qualificadas manuseiem esta máquina.

1.1. EQUIPAMENTO DE PROTEÇÃO INDIVIDUAL (EPI)

A utilização deste dispositivo implica vários riscos, pelo que é necessário o uso de equipamento de proteção individual (EPI) apropriado.



SOLUÇÕES ELETROLÍTICAS

Para o seu funcionamento normal, o dispositivo requer o uso de soluções especiais de eletrólitos que contêm ácido fosfórico. **Estes produtos são perigosos porque:**

- São corrosivos.
- Podem causar irritação e queimaduras se entrarem em contacto com a pele ou as membranas mucosas.
- Se entrarem em contacto com os olhos, podem causar danos oculares graves.
- A sua utilização expõe o operador aos riscos tipicamente associados ao uso de substâncias químicas.

Além disso, durante o processamento, estas substâncias:

- São condutoras de fluxos de corrente elétrica potencialmente perigosos ao toque.
- Libertam fumos nocivos quando evaporarem.

Não utilize produtos que não os indicados neste manual (caso contrário, qualquer forma de garantia será anulada) e não misture estes produtos com outros.

Guarde sempre estas substâncias num local seguro nos seus recipientes originais, fora do alcance das crianças e de outras pessoas não qualificadas. Mantenha o conteúdo do recipiente limpo. Não reutilize soluções de limpeza de eletrólitos.

Em caso de contacto accidental com os olhos ou a pele, ou se engolida, siga as instruções apresentadas nas fichas de dados de segurança do produto (FDSP).

Ver também o *capítulo 1.4*, onde estão ilustradas algumas medidas de primeiros socorros.

Pode solicitar uma cópia das fichas de segurança para soluções eletrolíticas em:

WALTER

Telefone (EUA): +1 866 592-5837

Telefone (CA): +1 888 592-5837

Website: walter.com



Todos os utilizadores do dispositivo devem usar roupa de trabalho adequada para mitigar os riscos relacionados com o uso de soluções eletrolíticas. O vestuário deve satisfazer os seguintes requisitos:

- Luvas devem ser feitas de materiais resistentes a ácidos e produtos químicos.
- Todo o vestuário deve ser à prova de água para garantir uma melhor proteção para o utilizador.
- O vestuário e os dispositivos de proteção devem estar sempre intactos e mantidos em boas condições.

É importante manter o dispositivo o mais limpo possível para reduzir o risco de contacto accidental com soluções de eletrólitos.

As operações realizadas com este dispositivo **devem ser realizadas em locais bem ventilados.**

Se isso não for possível, como por exemplo, no caso de utilização em espaços confinados (silos, esgotos, tanques, câmaras de combustão de fornos, tubos, etc.), **um sistema de extração adequado deve ser implementado.**

O SURFOX MAX não está equipado com um dispositivo de extração de fumos incorporado, **por isso recomenda-se que seja utilizado um sistema externo adequado para este fim.**

PREVENÇÃO DE QUEIMADURAS

Durante o processo de limpeza, a ponta da varinha e a peça de trabalho podem atingir temperaturas muito altas:

- Partes muito quentes podem causar queimaduras na pele após o contacto.
- Não toque na ponta da varinha ou na peça de trabalho enquanto trabalha ou imediatamente após a utilização, podem estar extremamente quentes e podem causar queimaduras graves.
- Deixar arrefecer antes de entrar em contacto com a pele exposta.

Tenha muito cuidado ao manusear uma peça recém-processada e ao retirar a escova.



Todos os utilizadores do dispositivo devem usar luvas de proteção adequadas para o manuseamento das peças e para a utilização da varinha.

CHOQUES ELÉTRICOS

Todos os choques elétricos são potencialmente fatais, por isso é necessário tomar medidas de segurança adequadas para minimizar o risco de choques elétricos:

- **Antes de ligar esta unidade, verifique se a tensão e a amperagem apresentadas na sua placa de classificação correspondem à fonte de alimentação. O funcionamento desta unidade diferente do especificado na placa de classificação pode resultar em ferimentos pessoais ao utilizador e danificar a unidade.**
- **O dispositivo tem de ser ligado a uma fonte de alimentação elétrica equipada com um sistema de ligação à terra eficiente, funcional e testado periodicamente. Caso contrário, o fabricante fica isento de qualquer responsabilidade por qualquer perda ou dano causado por este grave ato de negligência.**
- Esta unidade está equipada com um cabo de alimentação de 3 condutores e uma ficha elétrica de 3 pinos que deve ser ligada a uma tomada elétrica devidamente ligada à terra.
- Não use o dispositivo em ambientes húmidos.
- Nunca toque em partes sob tensão.
- Nunca opere a unidade com a tampa de proteção retirada.
- Desligue sempre o dispositivo se a estação de trabalho permanecer sem vigilância (durante as pausas e no final dos turnos).
- Inspeccionar frequentemente o cabo da fonte de alimentação e, se houver algum dano ou abrasão no revestimento protetor, substituí-lo imediatamente.
- Quando não estiver a ser utilizado, desligue a unidade, desligue o cabo de alimentação e a mangueira de ar (se houver).
- **Realize a manutenção apenas depois de desligar o dispositivo da rede elétrica.**
- A manutenção de peças elétricas só deve ser realizada por pessoal experiente e autorizado.
- Use sempre peças sobressalentes originais.

Se, ao usar o dispositivo, sentir a menor sensação de choque elétrico, desligue a unidade imediatamente e não a use até que o problema seja identificado e resolvido por pessoal qualificado.



Todos os utilizadores e mantenedores do dispositivo devem usar luvas isolantes para se protegerem do contacto accidental com peças vivas.

Para maximizar a segurança, é preferível usar sempre ferramentas isolantes ao realizar operações de manutenção.

1.2. SISTEMAS DE PROTEÇÃO INTEGRADOS NO DISPOSITIVO

PROTEÇÃO TÉRMICA

Todas as unidades SURFOX desligam-se automaticamente se for detetado um sobreaquecimento excessivo na placa do inversor.

Quando este sistema de proteção é ativado, o dispositivo desliga-se imediatamente e não pode ser religado até que arrefeça; assim que a temperatura regressar aos níveis normais, a unidade retoma automaticamente o funcionamento.

Para evitar o sobreaquecimento da unidade, o ar tem de fluir livremente através das saídas de ar. Mantenha uma folga mínima de 20 cm (8") à volta da unidade para garantir que todas as aberturas de ar estão livres de qualquer obstrução.

PROTEÇÃO CONTRA CURTO-CIRCUITOS

Todas as unidades SURFOX estão equipadas com um sistema de proteção de curto-circuito integrado que pode ocorrer entre a inserção instalada na varinha e a peça de trabalho, em particular quando as correntes envolvidas são altas.

Nos raros casos em que isto acontece, o sistema foi concebido para intervir automaticamente e terminar o fluxo de corrente para a varinha; desta forma, as peças eletrónicas do dispositivo são protegidas. A operação da unidade é restabelecida imediatamente depois de o eléctrodo ser removido da peça de trabalho.

Se o dispositivo disparar repetidamente, recomenda-se verificar o desgaste dos consumíveis (por exemplo, pastilhas) ou utilizar tensões de funcionamento mais baixas.



Não desativar e/ou ignorar os sistemas de proteção integrados do dispositivo.

1.3. RISCOS RESIDUAIS

Os riscos envolvidos na utilização destes dispositivos são significativamente reduzidos se forem respeitadas as regras de segurança indicadas no capítulo 1.1 e as instruções de utilização apresentadas neste manual.

No entanto, ainda existem riscos decorrentes da alta temperatura atingida pelo eléctrodo, do possível contacto com soluções de eletrólitos e da potencial exposição do operador a fumos nocivos gerados durante o processamento; por isso, é aconselhável seguir sempre todos os procedimentos de segurança descritos neste capítulo.

1.4. MEDIDAS DE PRIMEIROS SOCORROS



Em caso de exposição acidental a soluções eletrolíticas ou fumos produzidos durante o processamento, mantenha-se calmo e evite quaisquer ações não intencionais ou prejudiciais. Recomenda-se que cumpra as seguintes diretrizes:

- No caso de inalação de fumos de processamento, tente assegurar uma entrada de ar fresco no trato respiratório e arejar o ambiente circundante quando possível. Se houver queixas subsequentes do trato respiratório, procure aconselhamento médico.
- Se a pele entrar em contacto com soluções ácidas, lave-a imediatamente com água corrente e sabão; se após a secagem sentir irritação persistente da pele, consulte um dermatologista ou médico.
- Se forem engolidas soluções ácidas, NÃO induzam o vômito. Ligue para uma ambulância imediatamente e entretanto enxague repetidamente a boca e depois beba grandes quantidades de água.
- Se uma certa quantidade de eletrólito entrar em contacto com os olhos, enxagúe bem o rosto enquanto tenta manter os olhos abertos. Repita a operação durante pelo menos 15 minutos, levantando as pálpebras ocasionalmente. Use um lava-olhos de emergência, se disponível. Se possível, remova quaisquer lentes de contacto e continue a enxaguar. Se a irritação ou as queixas visuais subsequentes persistirem, consultar imediatamente um oftalmologista ou médico.

2. CARACTERÍSTICAS DO DISPOSITIVO

2.1. CAMPOS DE APLICAÇÃO

O SURFOX MAX de **WALTER** remove de forma rápida, fácil e económica a tonalidade térmica das zonas afetadas pelo calor em aço inoxidável e alumínio, enquanto passa completamente a superfície de aço inoxidável.

O dispositivo está equipado com placas inversores auto-reguláveis que monitorizam e ajustam automaticamente a corrente para garantir a máxima eficiência de limpeza sem perda de produtividade.

Um processo eletroquímico permite a SURFOX MAX limpar e passivar soldas em aço inoxidável. As soluções de eletrólito SURFOX são à base de ácido fosfórico, aprovadas para a indústria alimentar, e são ativadas por uma corrente elétrica para limpar soldas. O processo demora apenas alguns segundos sem danificar ou riscar a superfície das peças a limpar.

O SEU SURFOX MAX PODE LIMPAR:

Soldaduras TIG, Soldas a plasma, Soldas a laser, Soldas por pontos, Soldas com arco voltaico em atmosfera inerte (MIG).



Deve ter-se especial cuidado ao utilizar este dispositivo em superfícies de aço particularmente delicadas (por exemplo, o AISI 430), uma vez que podem formar-se halos brancos permanentes durante o processamento. Em caso de dúvida, é boa prática primeiro realizar um teste numa amostra do mesmo tipo de aço. Para mais informações contacte **O REPRESENTANTE DO SERVIÇO DE APOIO AO CLIENTE DE WALTER (walter.com)**.



WALTER não é responsável por perdas ou danos causados pelo dispositivo se usado fora dos campos de aplicação mencionados acima. Os dispositivos SURFOX são projetados para aplicações industriais, por isso o seu uso em casa é estritamente proibido.

2.2. NOÇÕES BÁSICAS DE PASSIVAÇÃO

A limpeza das soldas não é apenas para fins estéticos, mas o mais importante para passivação.

A passivação é o tratamento de superfícies de aço inoxidável para remover contaminantes e promover a formação de uma camada protetora de cromo óxido espessa e durável.

Esta camada passiva assegura a resistência à corrosão do aço inoxidável. Se a passivação não for feita corretamente, as zonas de aço inoxidável e calor afetadas podem começar a enferrujar.

2.3. TRANSPORTE E ARMAZENAMENTO DO DISPOSITIVO

Para facilitar o transporte, o SURFOX MAX está equipado com uma pega na parte superior. Ver o *capítulo 13* para obter informações detalhadas sobre o tamanho e o peso do dispositivo.

Certifique-se de que o interruptor está na posição desligada antes de ligar ou mover a unidade para evitar um arranque acidental.

O dispositivo deve ser mantido num local protegido e sem humidade para proteger os seus componentes elétricos internos. Se a máquina for armazenada durante um longo período de tempo, os acessórios de limpeza têm de ser removidos, neutralizados, lavados e secos. O dispositivo tem de ser cuidadosamente embalado num recipiente adequado e devidamente protegido, em particular da exposição a temperaturas de congelação. Guarde a unidade num local seguro, fora do alcance de crianças e outras pessoas não qualificadas.



A **WALTER** não será responsável por quaisquer danos resultantes de um tratamento grosseiro.



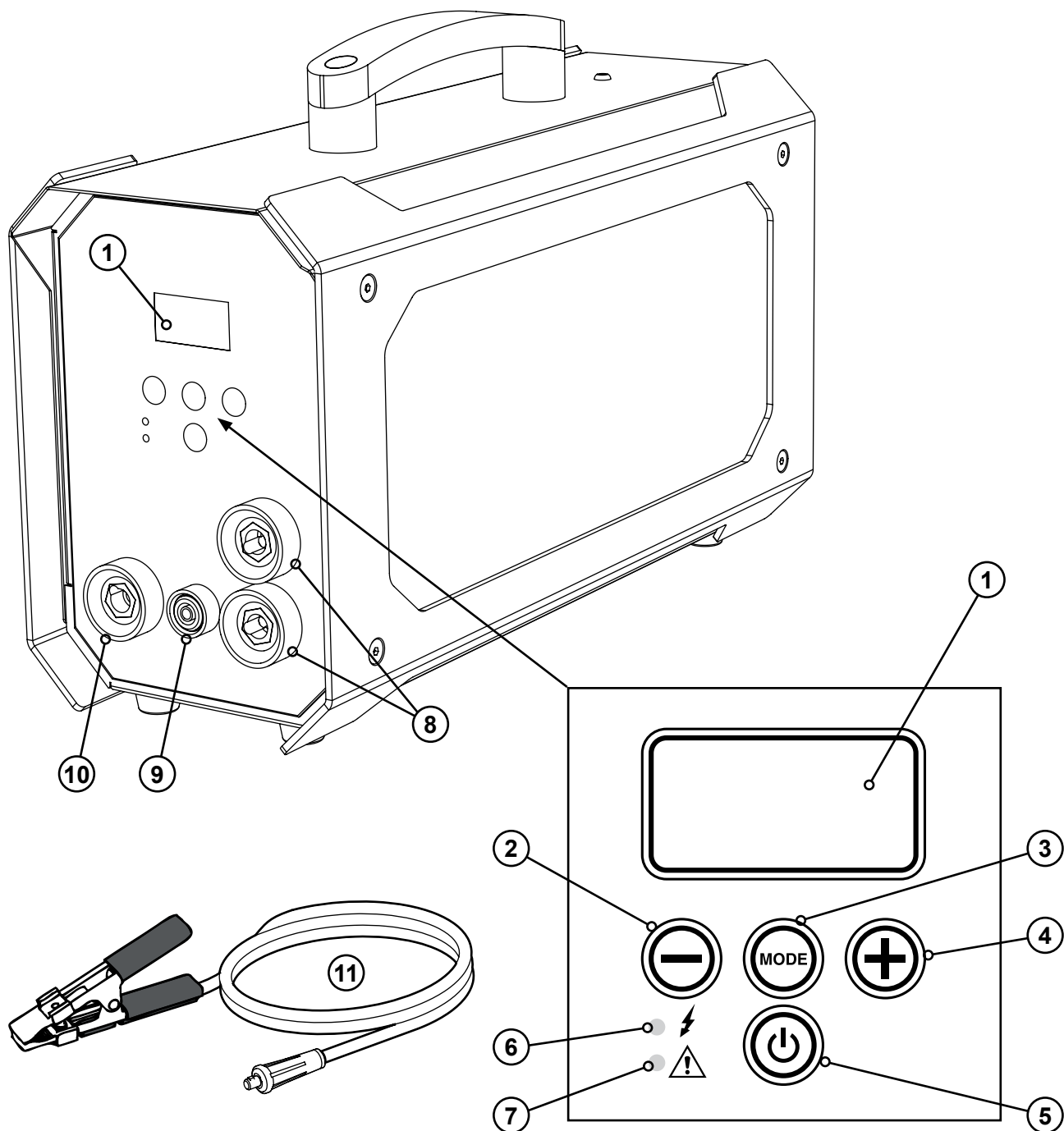
A pega foi concebida exclusivamente para transportar o dispositivo à mão. Não o utilize como ponto de ligação para garfos de empilhadores ou outras máquinas de elevação.



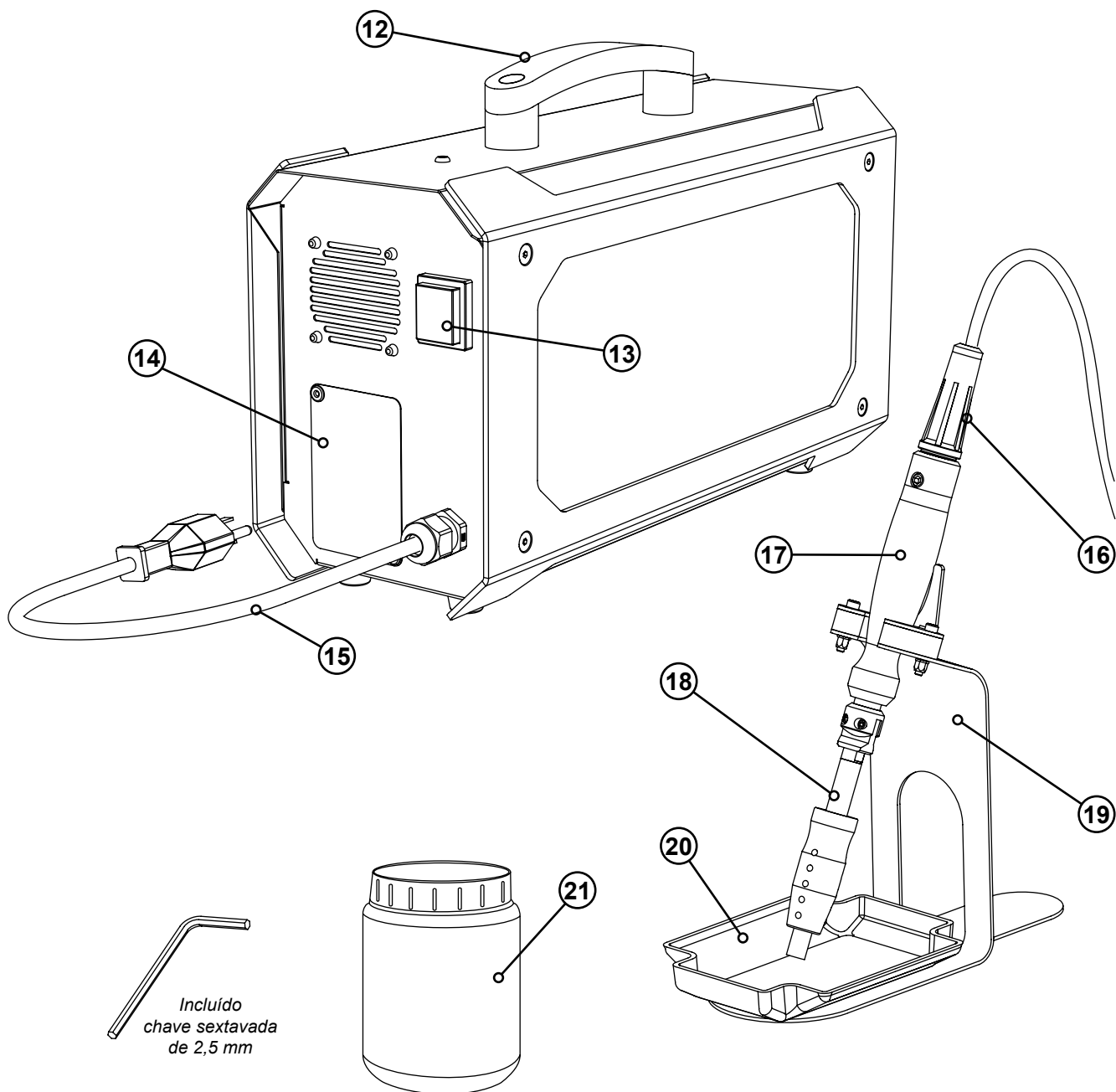
Se for necessário devolver o SURFOX MAX à fábrica **WALTER** ou ao centro de assistência autorizado, siga as instruções do *capítulo 12* para preparar e embalar cuidadosamente a remessa.

WALTER não é responsável por qualquer perda ou dano a pessoas ou bens devido à fuga de solução de eletrólito dos acessórios de limpeza durante as operações de embalagem e transporte para os centros de assistência.

2.4. COMPONENTES DO DISPOSITIVO



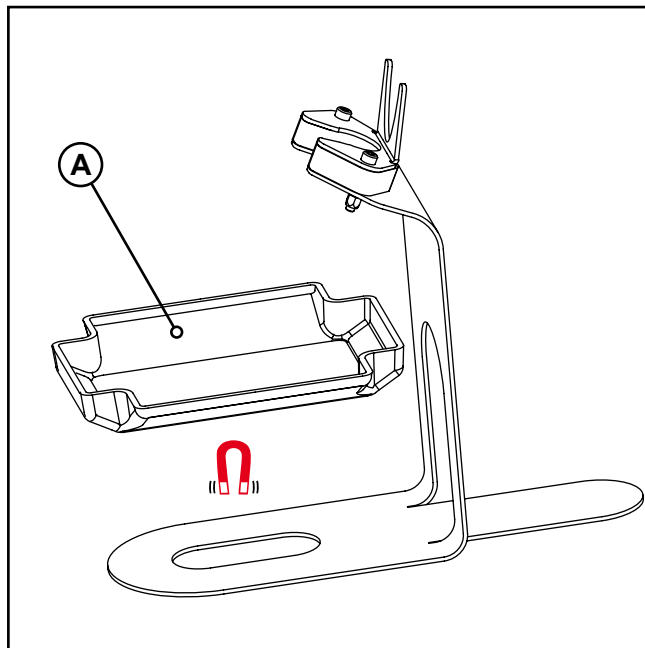
1	Visor	7	LED de alarme (vermelho)
2	Botão de diminuição da tensão	8	Tomadas pretas para a varinha DW
3	Botão de MODE	9	Tomada preta para marcação/gravação da varinha
4	Botão de aumento de tensão	10	Tomada vermelha para o cabo de massa
5	Botão de alimentação	11	Cabo de massa
6	LED de alimentação (verde)		



12	Pega	18	Escova DW
13	Interruptor principal (ligar/desligar)	19	Suporte para varinha
14	Placa de classificação	20	Tabuleiro de recolha
15	Cabo de alimentação	21	Frasco de plástico
16	Cabo de alimentação preto da varinha DW		
17	Varinha DW		

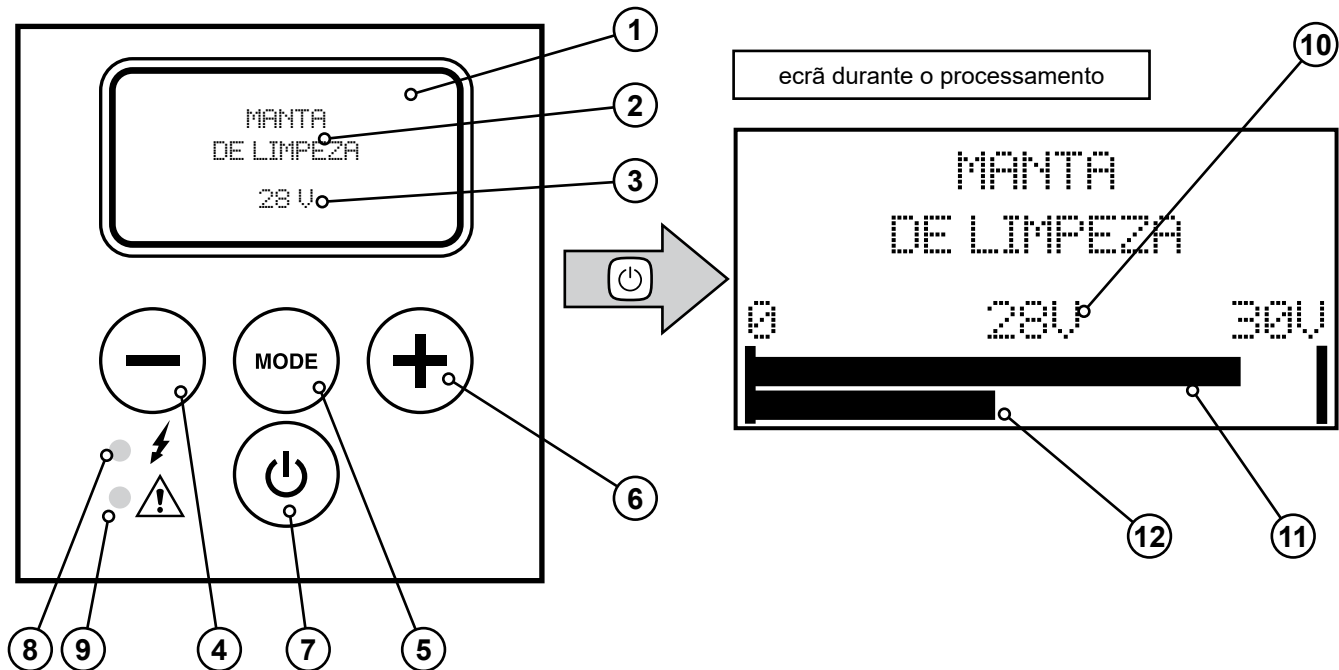
2.5. COMO MONTAR O SUPORTE DA VARINHA

- O tabuleiro de recolha (A) está equipado com ímanes e não são necessárias ferramentas para o encaixar na ranhura da base.





3. PAINEL DE CONTROLO

3.1. DESCRIÇÃO GERAL



1	Visor	8	LED de alimentação (verde)
2	Indicador do modo de funcionamento	9	LED de alarme (vermelho)
3	Tensão definida (V)	10	Tensão definida (V)
4	Botão de diminuição da tensão	11	Indicador de tensão de saída
5	Botão de MODE	12	Indicador de saída de corrente
6	Botão de aumento de tensão		
7	Botão de alimentação		

3.2. MUDAR O IDIOMA

- Com o dispositivo ligado, mantenha os botões – e + premidos ao mesmo tempo durante alguns segundos.
- O código **0 0 0 0** aparece no visor; prima o botão .
- Selecione o idioma pretendido entre os disponíveis (**EN - ES - FR - PT**) utilizando os botões – e +.
- Prima novamente o botão  para confirmar e voltar ao ecrã principal.



Se não for pressionado nenhum botão durante 30 segundos durante o procedimento de seleção de idioma, a unidade regressa automaticamente ao ecrã principal sem guardar quaisquer alterações que tenham sido feitas.

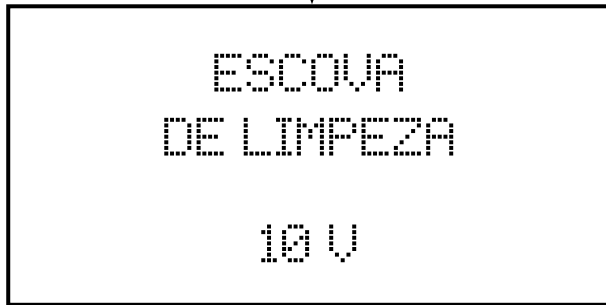
3.3. ESTRUTURA DE MENU



O visor acende-se quando o interruptor principal do dispositivo é colocado na posição "I"; este interruptor, colorido a verde, está localizado na parte da traseira do dispositivo (consulte o capítulo 2.4).

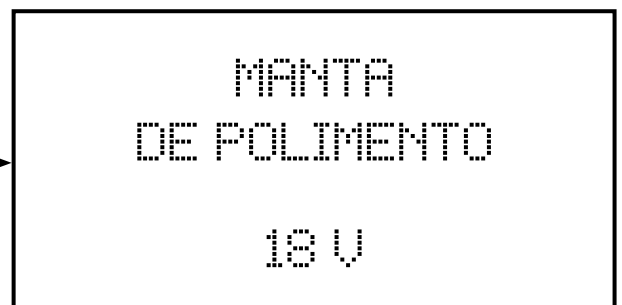
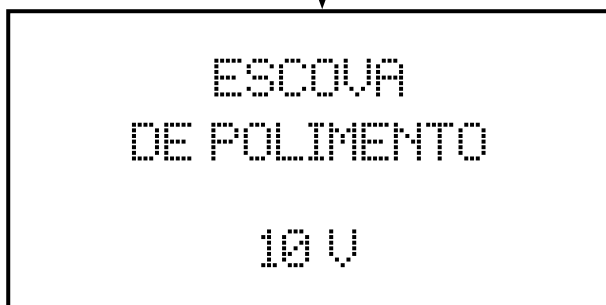
Durante o arranque são apresentados brevemente no ecrã o logotipo **WALTER** e um ecrã com as informações do firmware. A unidade passa então para o programa ESCOVA DE LIMPEZA.

Para alterar o modo de funcionamento, prima o botão **MODE**.



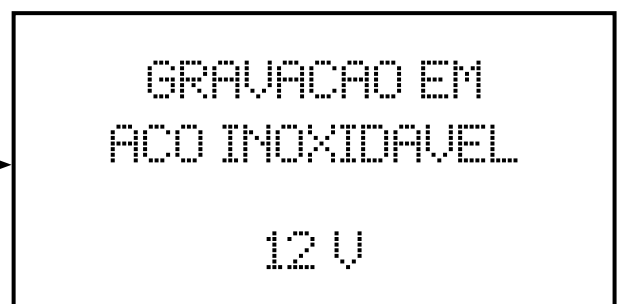
MODE

MODE



MODE

MODE



MODE

MODE

Com uma pressão adicional no botão de **MODE**, o menu volta a começar



Independentemente do programa seleccionado, as teclas - e + podem ser usadas para aumentar ou diminuir a tensão de trabalho (em incrementos de 1 volts).
O nível de tensão predefinido nos vários modos de funcionamento é o recomendado pelo fabricante.

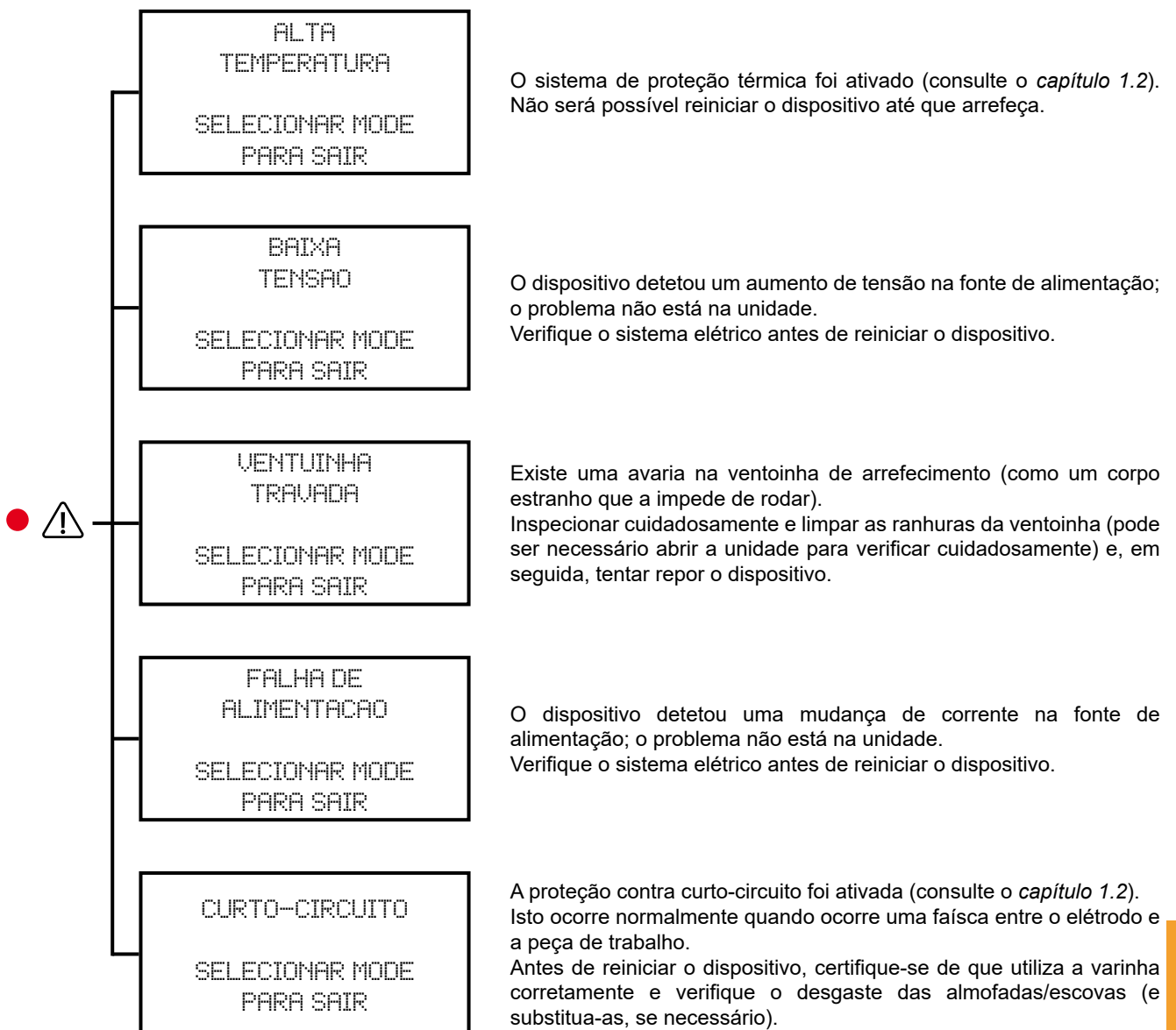
3.4. MENSAGENS DE ALARME

Em caso de problemas ou falhas, o LED de alarme acende-se (consulte o *capítulo 3.1*) e o dispositivo deixa de fornecer corrente.

Para ajudar o utilizador a identificar mais facilmente a origem do problema, a unidade apresenta uma mensagem de texto indicando a causa provável do mau funcionamento.

Depois de resolver o problema, prima o botão **MODE** para repor o dispositivo e retomar o trabalho.

Para obter mais assistência, contacte o **Serviço de Apoio ao Cliente de WALTER** (walter.com).



4. ACESSÓRIOS DE MONTAGEM NA VARINHA DW



Durante a instalação de escovas, inserções e almofadas, o dispositivo tem de ser desligado:

- Coloque o interruptor principal na posição "0".
- Desligue o dispositivo da corrente elétrica.



Para o seu funcionamento normal, o dispositivo requer o uso de soluções ácidas específicas que podem ser perigosas (leia atentamente o *capítulo 1*).

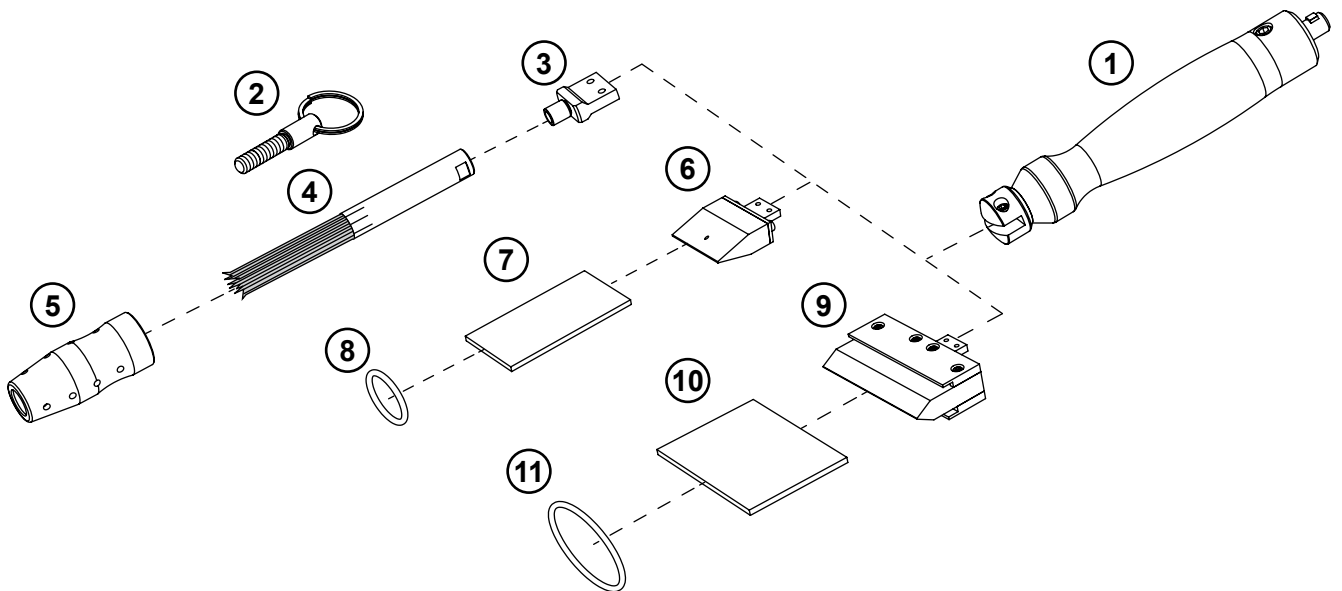
Ao substituir um acessório na varinha, **tenha muito cuidado com quaisquer resíduos de eletrólito que restem na escova ou pastilha.**



Use sempre luvas de proteção adequadas ao montar/remover acessórios de varinha para:

- Reduzir o risco de contacto direto entre a pele e as soluções ácidas.
- Obtenha um certo nível de proteção contra queimaduras se os encaixes ainda estiverem demasiado quentes.

4.1. VISÃO GERAL DOS ACESSÓRIOS DA VARINHA DW



1	54-B 617	Varinha DW	incluído	p. 16
2	54-B 618	Ferramenta de extração de escovas	incluído	p. 18
3	54-B 149	Adaptador de escova	incluído	p. 17
4	54-B 604	Escova DW para Surfox MAX	incluído	p. 18
5	54-B 605	Manga DW	incluído	p. 18
6	54-B 009	Inserção de grafite 45 mm	opcional	p. 19
7	54-B 043	Almofada de limpeza SURFOX para inserção de grafite de 45 mm	opcional	p. 19
8	54-B 180	O-ring 30 x 3.5	opcional	p. 19
9	54-B 607	Inserção de grafite 100 mm	opcional	p. 20
10	54-B 608	Almofada de limpeza SURFOX para inserção de grafite de 100 mm	opcional	p. 20
11	54-B 609	O-ring para inserção de grafite de 100 mm	opcional	p. 20

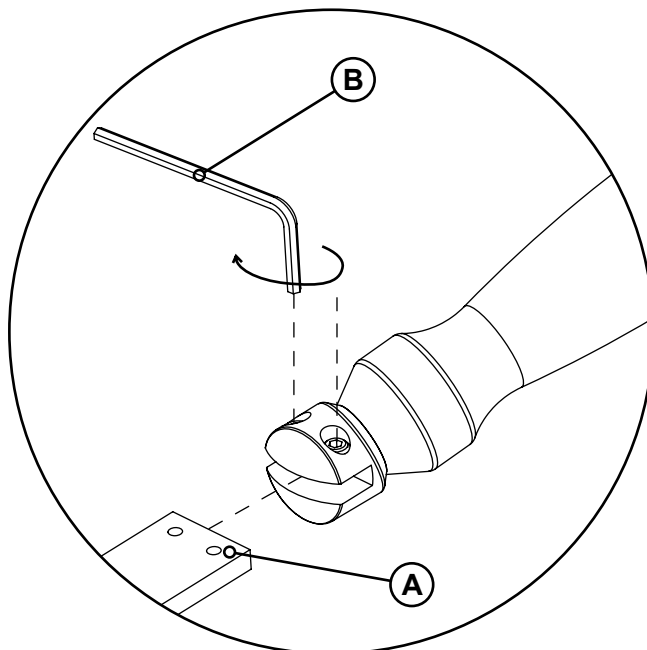
O **Atendimento ao Cliente de WALTER** (walter.com) está disponível para qualquer informação adicional.

4.2. INSTALAÇÃO DO ADAPTADOR/INSERÇÃO DA ESCOVA



Ao instalar o adaptador ou as inserções, a varinha DW não deve estar ligado ao dispositivo.

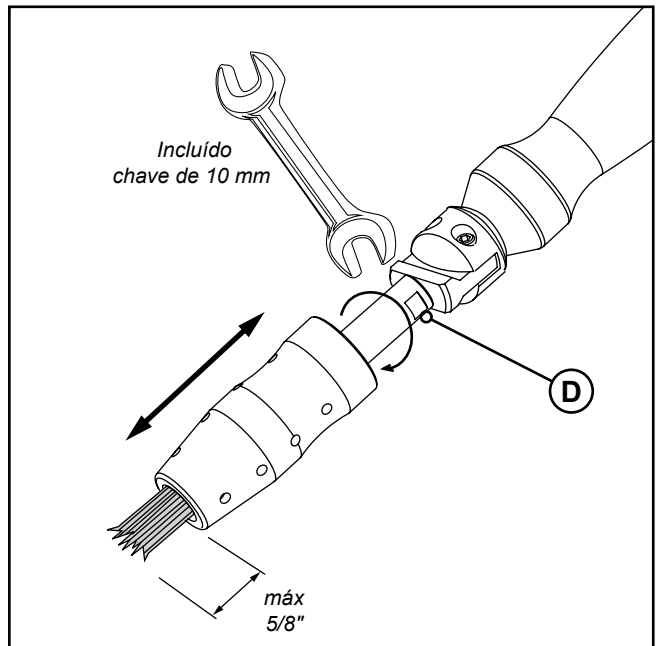
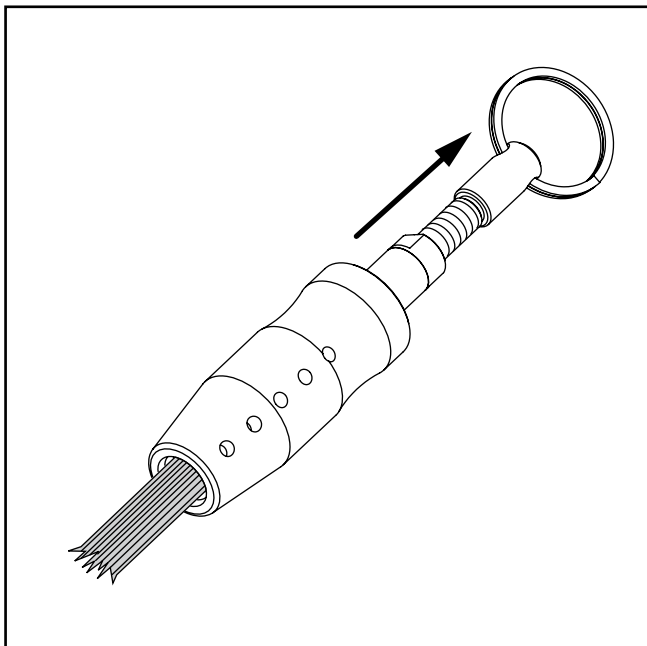
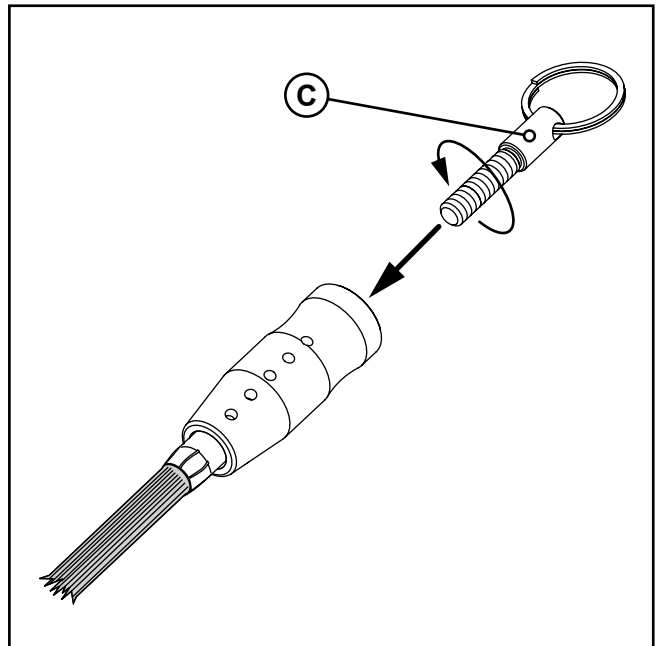
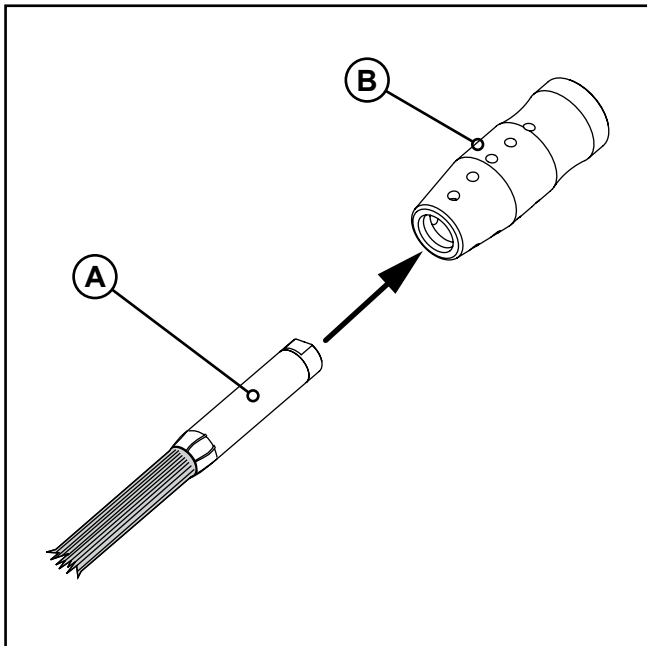
- Pegue no adaptador da escova **54-B 149** ou no inserto desejado.
- Na parte de trás do adaptador (ou inserto) há os dois contradissipadores (A) onde os parafusos de fixação do acoplamento da varinha DW serão apertados.
- Coloque o adaptador (ou inserção) no acoplamento da varinha DW e aperte os dois parafusos de fixação com uma chave sextavada de 2,5 mm (B) (incluída); certifique-se de que os parafusos de fixação estão devidamente alinhados com os escareadores (A).



4.3. MONTAGEM DA ESCOVA DW



Ao instalar as escovas, a varinha DW não deve estar ligada ao dispositivo.

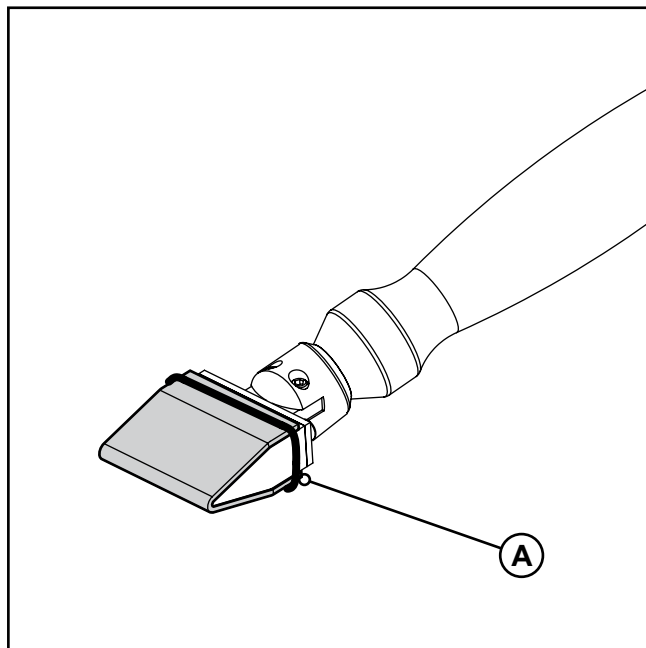
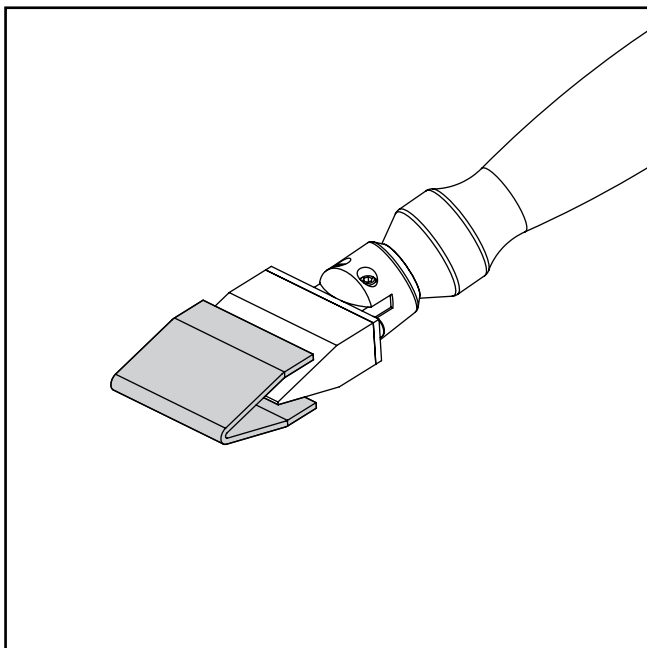


- Instale o adaptador de escova **54-B 149** na varinha DW (consulte o capítulo 4.2).
- Insira a escova DW **54-B 604** (A) na manga **54-B 605** (B).
- Aparafuse o acoplamento roscado da ferramenta de extração **54-B 618** (C) na escova.
- Puxe a escova para fora da manga.
- Extrair a ferramenta de extração
- Use a chave de 10 mm (incluída) para apertar a escova firmemente na rosca do adaptador. O segmento de acoplamento da escova tem a forma de (D) para fácil aderência com a chave.
- Certifique-se de que não mais de 15 mm (5/8") de fibra de carbono está exposto.

4.4. ALMOFADA DE MONTAGEM NO INSERTO DE GRAFITE DE 45 mm



Ao instalar as almofadas, a varinha DW não deve estar ligada ao dispositivo.

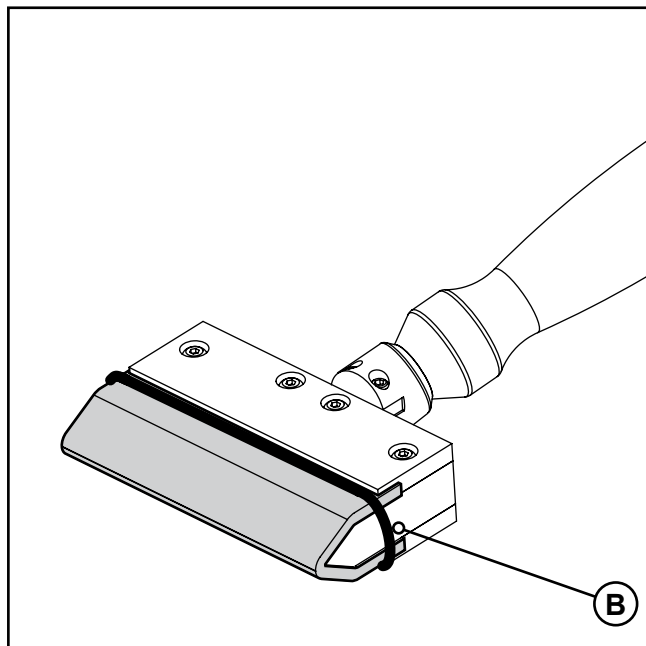
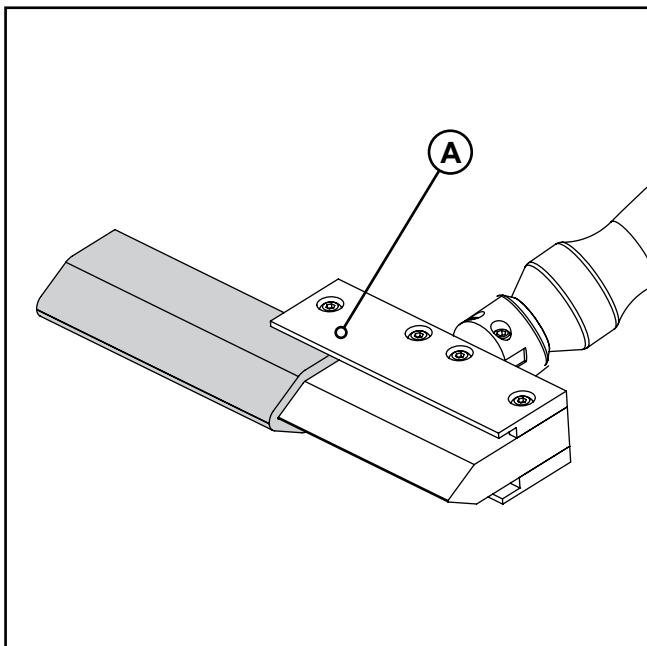


- Instale a inserção **54-B 009** na varinha DW (consulte o *capítulo 4.2*).
- Dobre a almofada **54-B 043** numa forma de U e cole-a ao eletrodo.
- Aperte a almofada **54-B 180** no lugar usando o O-ring (A).

4.5. ALMOFADA DE MONTAGEM NO INSERTO DE GRAFITE DE 100 mm



Ao instalar as almofadas, a varinha DW não deve estar ligada ao dispositivo.



- Instale a inserção **54-B 607** na varinha DW (consulte o *capítulo 4.2*).
- Dobre a pastilha **54-B 608** numa forma de "U" e faça-a deslizar para as barbatanas com ranhuras (A) no eléctrodo.
- Aperte o calço no lugar usando o O-ring **54-B 609** (B).

5. ANTES DO ARRANQUE DO DISPOSITIVO

5.1. PRECAUÇÕES PARA A UTILIZAÇÃO DO DISPOSITIVO

Para evitar danos no dispositivo, verifique se:

- A tensão da rede elétrica corresponde à que a unidade suporta (conforme especificado nos dados técnicos e na placa de classificação).
- A superfície a ser tratada está ligada à terra com um cabo de espessura adequada.
- Todas as tomadas, conectores e cabos utilizados com o dispositivo estão em bom estado de funcionamento.
- O sistema elétrico ao qual a unidade está ligada está equipada com dispositivos de proteção contra curto-circuitos e picos de corrente. Estes sistemas de segurança devem estar totalmente operacionais.
- A estação de trabalho onde o dispositivo é usado deve ser sempre mantida limpa e arrumada.
- Após o processamento ou durante pausas, a braçadeira para ligação à terra da peça de trabalho ou da superfície de trabalho é desativada.

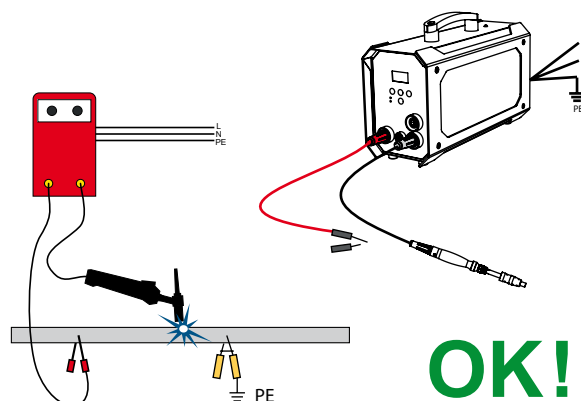
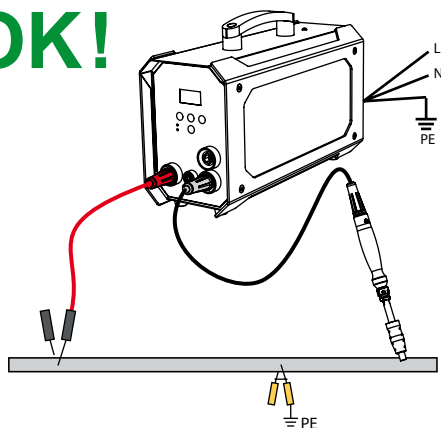
Em ambientes de trabalho onde existem estações de soldadura e decapagem:

- Não solde nem limpe/polir a mesma peça de trabalho ao mesmo tempo.
- Desligue o cabo de terra do dispositivo durante qualquer operação de soldadura.



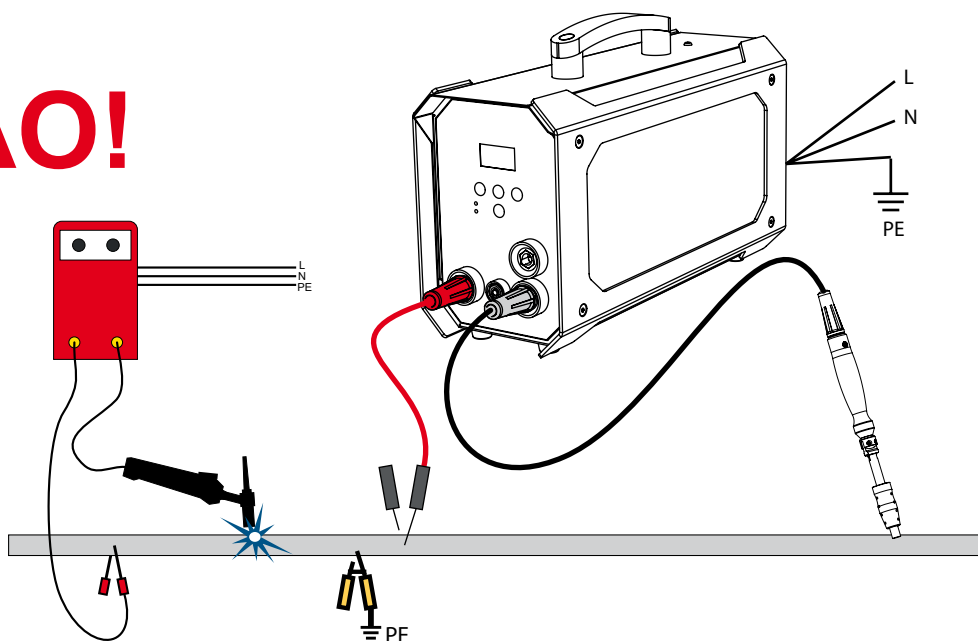
Se o operador utilizar uma máquina de soldadura enquanto ambos os cabos de ligação à terra estão ligados à superfície a ser processada, os componentes elétricos do dispositivo podem ser danificados mesmo que a tocha de soldadura não entre em contacto com a peça de trabalho. Em particular, os componentes internos do dispositivo podem ser submetidos a uma alta tensão de até 100 V.

OK!



OK!

NÃO!

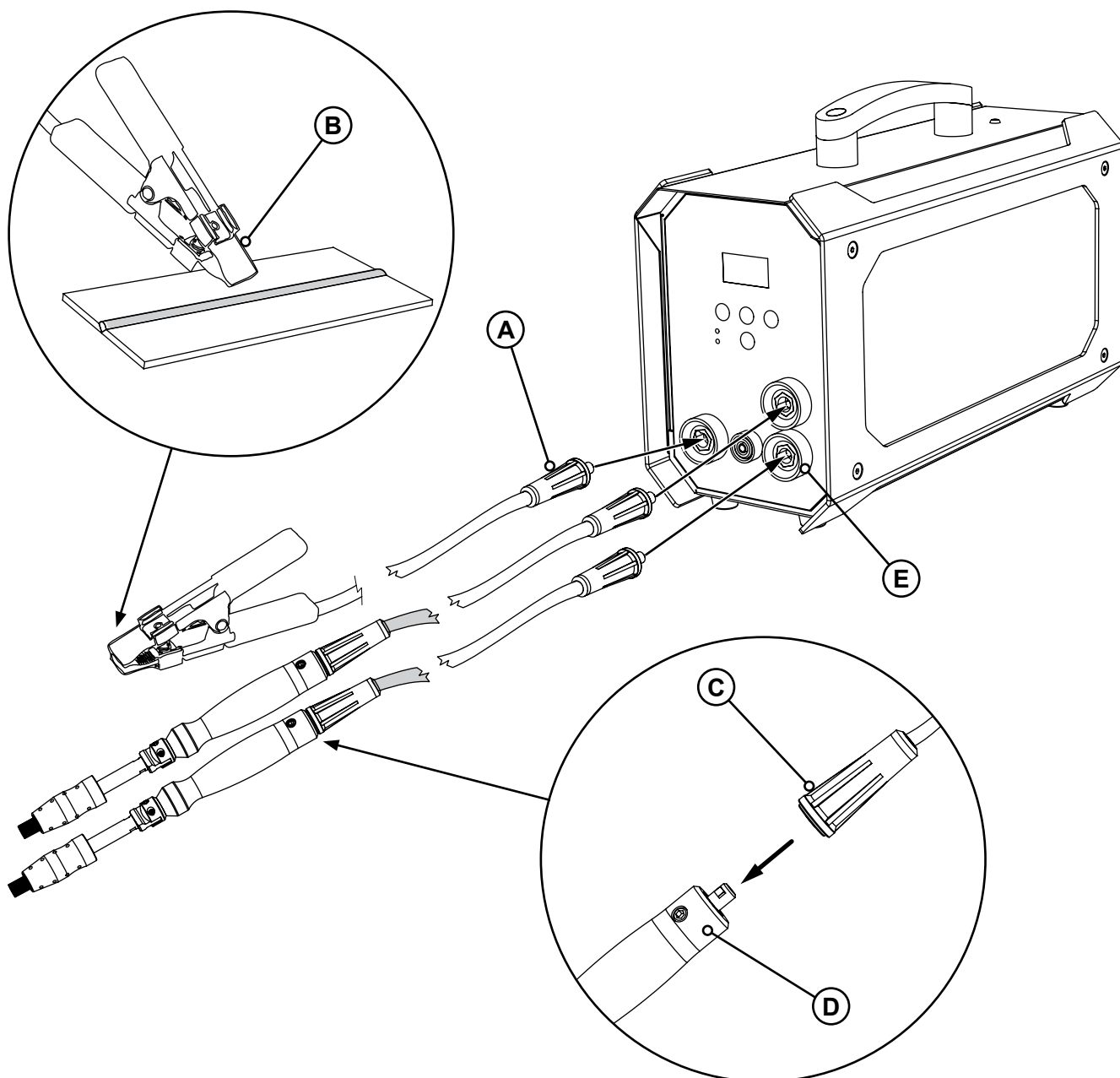


5.2. INSTALAÇÃO ELÉTRICA



Certifique-se de que leu e verificou todas as notas de precaução no *capítulo 5.1*.

- Prepare a varinha DW instalando o acessório mais adequado para o tipo de trabalho a realizar (consulte o *capítulo 4*).
- Ligue a ficha do cabo de massa (A) à tomada vermelha no painel frontal da unidade.
- Use o terminal de crocodilo do cabo terra (B) para segurar o pedaço de aço inoxidável a ser tratado.
- Utilize o cabo fornecido para efetuar a instalação elétrica da varinha DW; ligue a ficha fêmea (C) à varinha DW (D) e introduza a ficha macho numa das tomadas pretas designadas no painel frontal da unidade (E).
- **O SURFOX MAX pode funcionar com duas varinhas ao mesmo tempo.** Ao usar uma única varinha, escolha uma ou outra tomada de forma diferente.
- Ligue o cabo de alimentação do dispositivo a uma tomada adequada.



6. LIMPEZA E POLIMENTO DE SOLDAS

6.1. INÍCIO DO PROCESSAMENTO

Antes de começar a decapar/polir um pedaço de aço inoxidável, verifique se todas as operações preliminares descritas no capítulo 5 foram realizadas corretamente.

Para o seu funcionamento normal, o dispositivo requer o uso de soluções especiais de eletrólitos. É muito importante escolher o líquido mais adequado para o tipo de processamento a ser realizado:

- **SURFOX-T**, uma solução de limpeza para trabalhos pesados adequada tanto para decapagem como para polimento.
- **SURFOX-G**, uma solução de limpeza de pH neutro, adequada apenas para decapagem.

Consulte sempre a folha de dados do produto para obter indicações detalhadas sobre o seu campo de utilização.

O **Atendimento ao Cliente de WALTER** (walter.com) está disponível para qualquer informação adicional.




As soluções ácidas são perigosas e podem causar danos às pessoas e aos bens: Leia atentamente o capítulo 1 sobre os regulamentos de segurança e o equipamento de proteção individual que devem ser usados quando se trabalha com estas substâncias.

- Coloque a solução de eletrólito no frasco incluído ou num recipiente de plástico suficientemente grande para segurar na pastilha ou escova.
- Imergir completamente o inserto com uma almofada ou escova no recipiente.

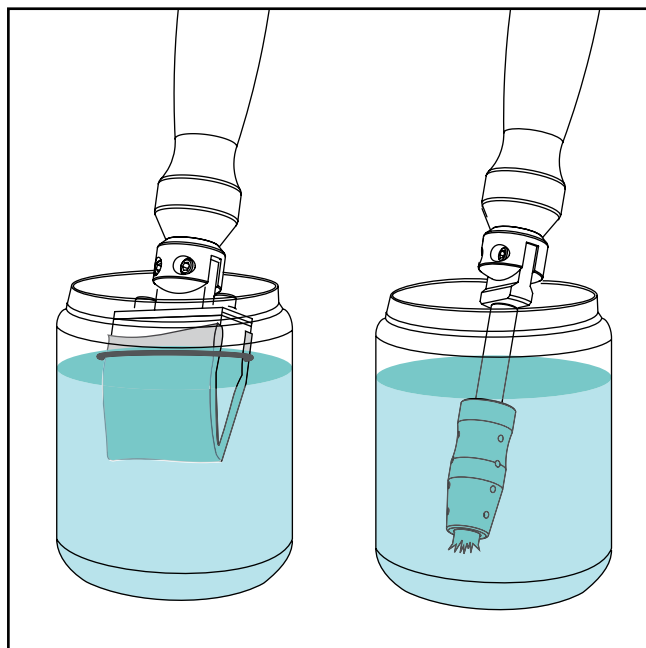


É importante manter os elétrodos sempre bem molhados para evitar o sobreaquecimento.

- Ligue o dispositivo rodando o interruptor principal (localizado no painel traseiro da unidade) para a posição "I".
- Selecione o modo de funcionamento pretendido pressionando o botão **MODE** no painel de controlo (para mais informações, consulte o capítulo 3.3).
- Prima o botão  no painel de controlo para iniciar o dispositivo.



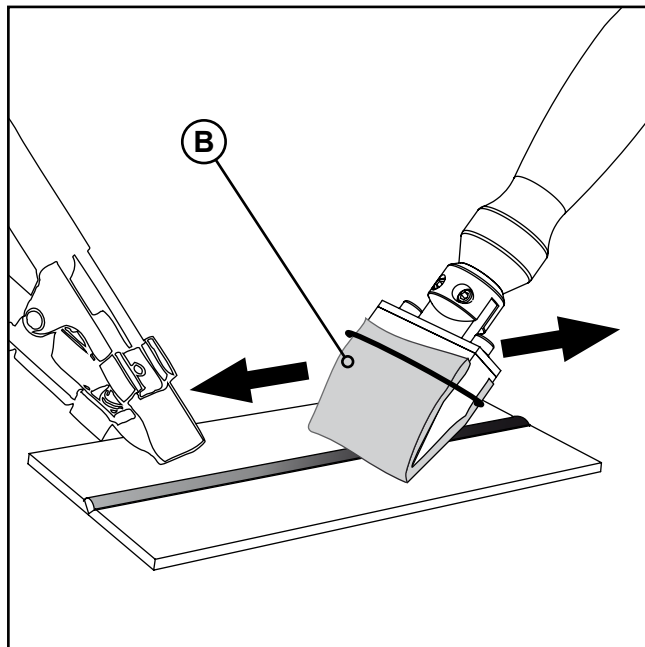
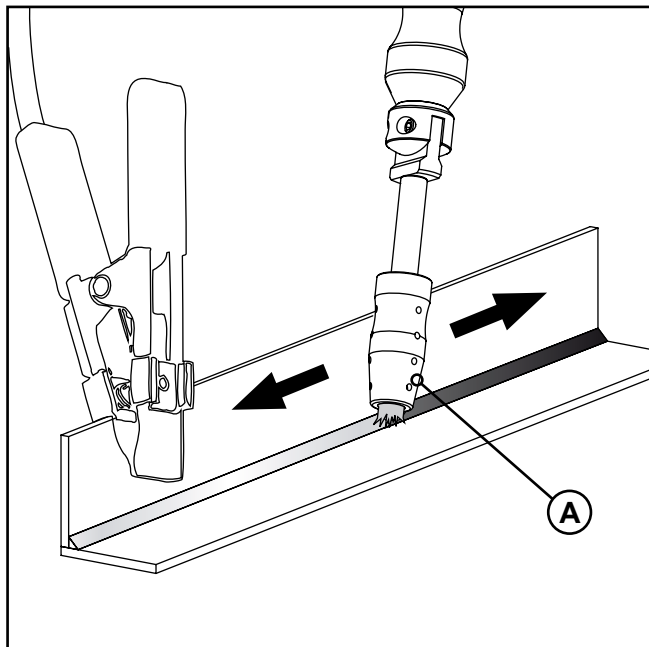
Uma vez iniciado, o dispositivo desliga-se automaticamente após cerca de 30 segundos de inatividade. Esta é uma medida de precaução para evitar que a varinha seja acidentalmente alimentada no final do processamento.



UTILIZACAO DOS INDICADORES NO VISOR

Durante o processamento, os indicadores de barras aparecem no visor, mostrando em tempo real a tensão e a corrente fornecidas pelo dispositivo (consulte o capítulo 3.1). Quando a peça de trabalho não está a ser tocada, nenhuma corrente passa através da varinha e a tensão é mantida a metade da tensão definida. A tensão só começa a subir gradualmente quando o trabalho realmente começa, minimizando assim a probabilidade de formação de arco ou faíscas no ponto de contacto entre a escova/pastilha e a soldadura a limpar/polir.

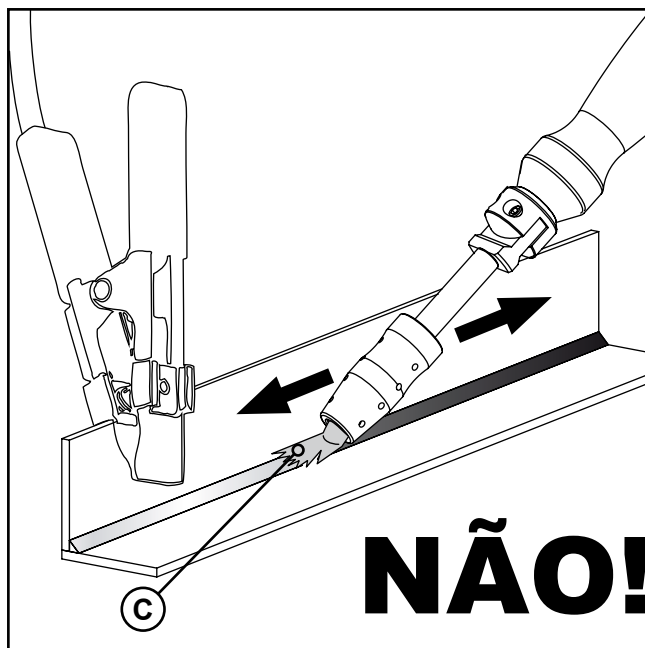
- Comece a limpar/polir posicionando a escova/pastilha na peça de trabalho de aço inoxidável.
- Passe a escova/pastilha sobre a soldadura aplicando uma ligeira pressão e continue o processo até que cada sinal de oxidação seja completamente removido. Podem formar-se faíscas e espuma no ponto de contacto entre a escova/pastilha e a soldadura durante o processamento. Isto é perfeitamente normal.
- Se necessário, utilize os botões – e + no painel de controlo para ajustar a voltagem de saída e obter melhores resultados (se mudar de modo de funcionamento, a voltagem regressa ao nível predefinido pelo fabricante).




- A escova DW (A) é adequada para soldaduras de difícil acesso, enquanto a pastilha de 100 mm ou 45 mm (B) é particularmente adequada para soldaduras grandes.



- O processo de polimento requer uma quantidade maior de solução eletrolítica do que a decapagem.
- Manter sempre a escova/almofada bem humedecida com a solução de eletrólito para evitar o sobreaquecimento e uma consequente redução significativa da sua vida útil; se houver sinais óbvios de desgaste, substituir imediatamente o componente.
- Se a tensão for aumentada durante o processamento, a solução de eletrólito evapora-se mais rapidamente; certifique-se de que a escova ou pastilha está sempre molhada.
- Nunca use uma pastilha sem a sua almofada correspondente; a pastilha nunca deve ser colocada em contacto direto com a peça de aço.
- Ao efetuar a limpeza/polimento, mantenha a escova perpendicular à soldadura e nunca empurre as cerdas de carbono excessivamente contra a superfície a tratar (C).
- Para obter os melhores resultados, ajuste periodicamente a manga de PTFE da escova para deixar cerca de 15 mm (5/8") de fibra de carbono exposta.



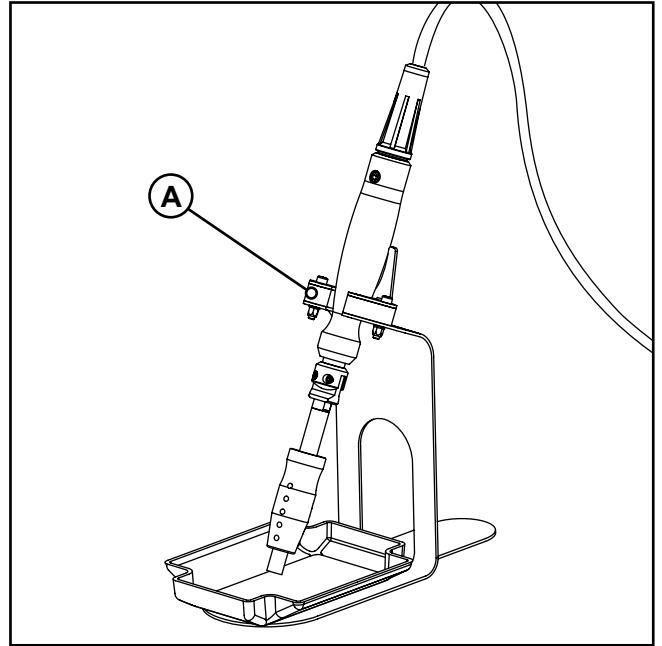
6.2. APÓS O PROCESSAMENTO

- Prima o botão  no painel de controlo para parar a alimentação de corrente para a varinha DW.
- Volte a colocar a varinha DW no respetivo suporte (A).



No final do processamento, guarde sempre a varinha DW e outros acessórios de forma adequada.

Nunca coloque a varinha em cima do dispositivo durante pausas ou no final do processamento, pois a solução de eletrólito pode pingar da escova/pastilha humedecida e penetrar no interior da unidade. Utilize sempre o suporte adequado e esvazie o tabuleiro de recolha quando necessário. O dispositivo deve, em qualquer caso, ser mantido o mais limpo possível.



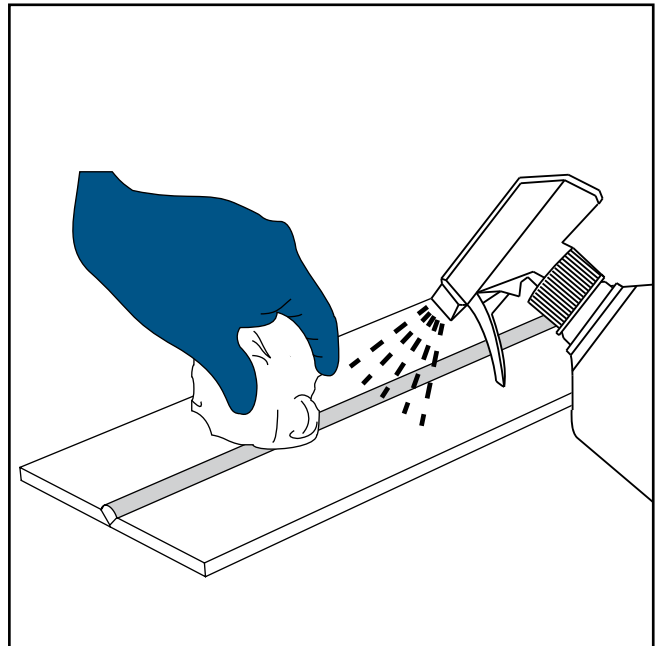
- Desligue o grampo de crocodilo do cabo de massa da peça maquinada.
- Limpar o excesso de solução eletrolítica com um pano de microfibras **54-B 090**.
- Use a solução SURFOX-N na peça tratada.



É muito importante pulverizar a solução SURFOX-N na peça de trabalho; este produto neutraliza qualquer eletrólito residual, evitando assim a formação de halos e manchas brancas (que só podem ser eliminadas repetindo todo o processo).

Em alternativa, é possível limpar a superfície com um jato abundante de água.

- Esfregue a superfície com um pano de microfibras **57-M 001**.
- Secar a superfície usando um pano de microfibras seco.



6.3. DESLIGAMENTO

- Desligue o dispositivo rodando o interruptor principal para a posição "O".
- Desligue a ficha da unidade da tomada da fonte de alimentação.
- Realize a manutenção de rotina no dispositivo, conforme descrito no *capítulo 8.1*.
- Para limitar qualquer impactos ambiental, as pastilhas usadas e os líquidos usados devem ser sempre eliminados de acordo com os regulamentos atuais de eliminação de resíduos (consulte o *capítulo 9* para obter informações adicionais).

7. MARCAÇÃO/GRAVAÇÃO (OPCIONAL)

Graças ao Kit Standard de marcação/gravação eletroquímica **54-B 080** e aos estênceis de serigrafia (ambos opcionais), o SURFOX MAX pode ser usado para marcar aço inoxidável; com esta função pode imprimir instantaneamente qualquer logotipo em aço inoxidável.

A marcação/gravação eletroquímica usa o princípio da eletrólise por **líquidos neutros que não são irritantes nem corrosivos**.

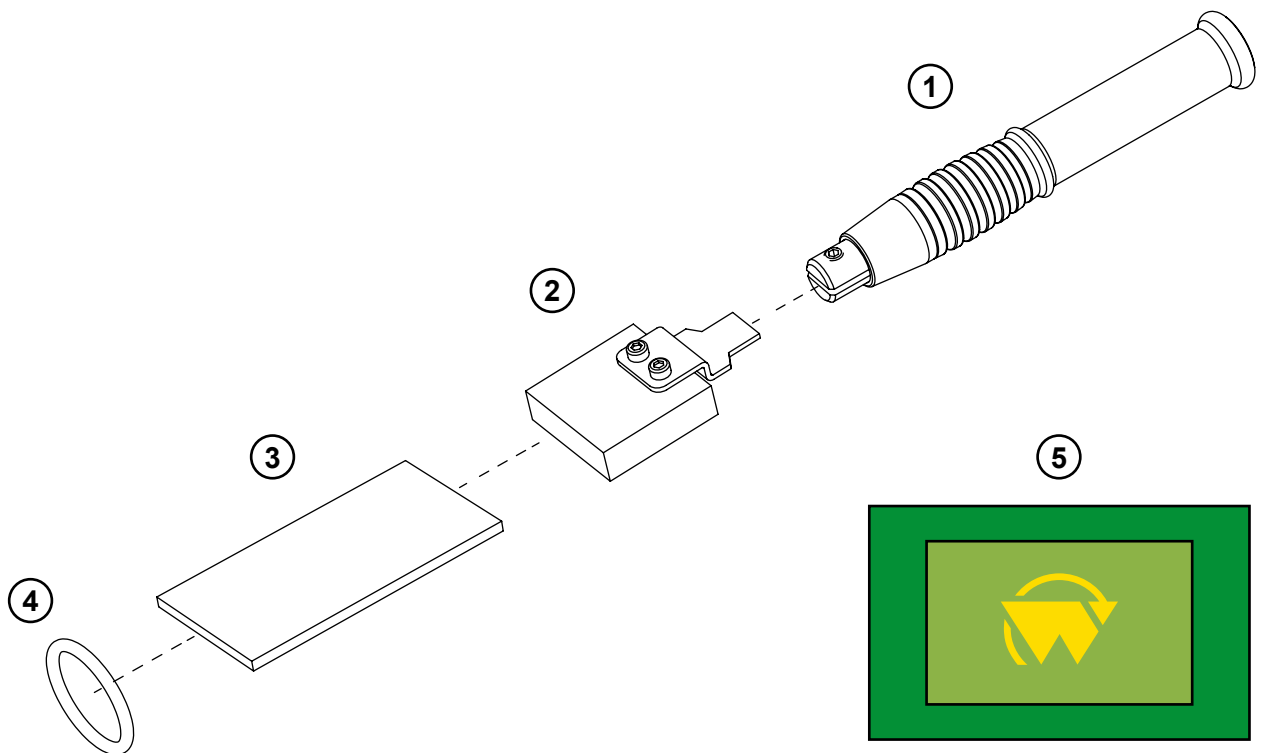
As dimensões padrão de um estênceis de serigrafia variam de um mínimo de 25x15 mm a um máximo de 257x170 mm. Se usado corretamente, o ecrã pode ser usado para cerca de 500 marcações sem ter de o substituir. No entanto, a duração dos estênceis também depende de outros fatores importantes, como o seu tamanho ou a densidade do fundo que compõe os gráficos.

WALTER também lhe dá a opção de comprar o Pro Marking Kit **54-B 081** (compatível apenas para PC) para fazer estênceis descartáveis que são particularmente adequados para marcar números de série, logotipos e placas CE



Utilize apenas kits e ecrãs de marcação originais. Produtos não certificados, como soluções de eletrólitos inadequadas ou inserções de marcação e almofadas não especificamente concebidas para esta função, podem causar danos permanentes tanto ao dispositivo como à peça de trabalho. Para comprar os kits de marcação, ecrãs personalizados ou impressoras, contacte a **Divisão da Gráfica WALTER** (walter.com).

7.1. VISÃO GERAL DOS ACESSÓRIOS DA VARINHA DE MARCAÇÃO/GRAVAÇÃO



1	54-B 200	Varinha de marcação/gravação	opcional	p. 26
2	54-B 088	Inserção de grafite de marcação 35 x 10 mm	opcional	p. 27
3	54-B 083	Almofada de marcação para inserção de grafite 35 x 10 mm	opcional	p. 27
4	54-B 089	O-ring para inserção de grafite 35 x 10 mm	opcional	p. 27
5	-	Estêncil de serigrafia	opcional	p. 26

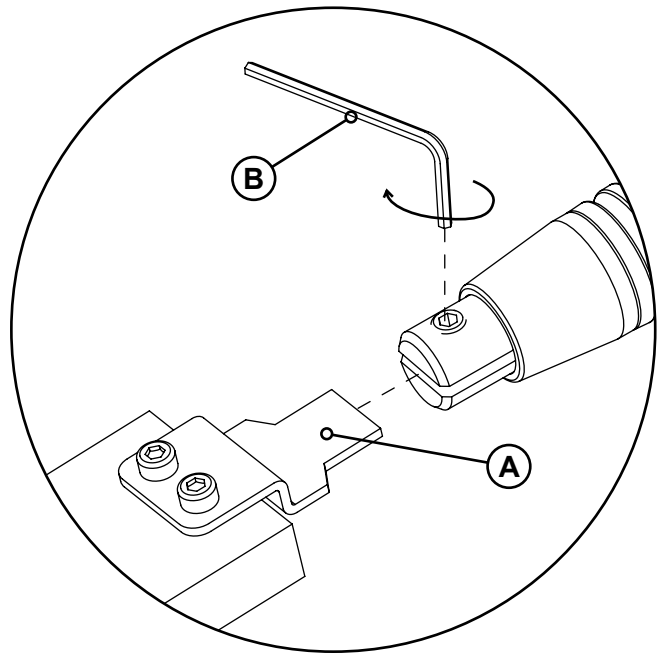
O **Atendimento ao Cliente de WALTER** (walter.com) está disponível para qualquer informação adicional.

7.2. MARCAÇÃO DA INSTALAÇÃO DA INSERÇÃO



Ao instalar as inserções, a varinha de marcação/gravação não deve ser ligada ao dispositivo.

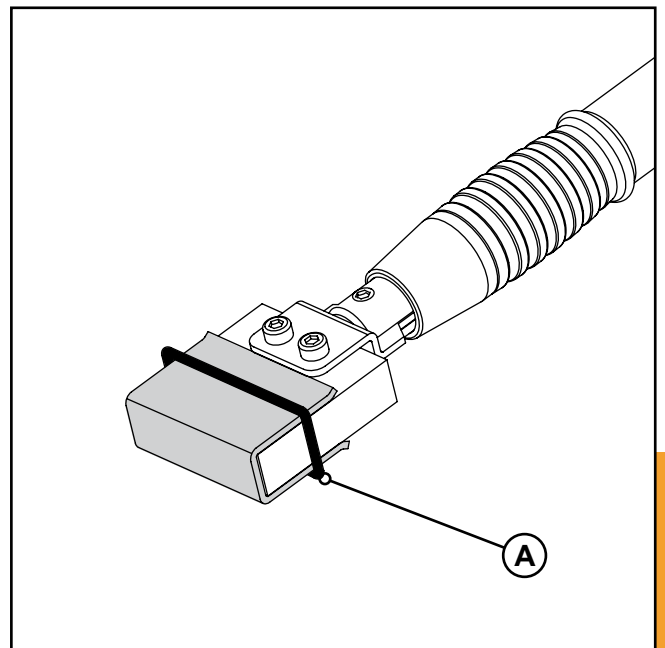
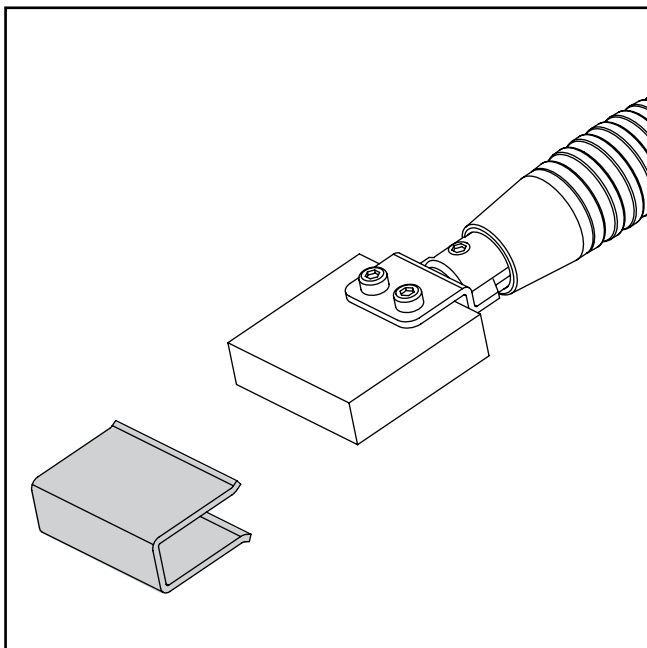
- Pegar no inserto de marcação **54-B 088**.
- Inserir a aba de acoplamento (A) na ranhura apropriada na varinha de marcação/gravação .
- Aperte o parafuso de ajuste usando uma chave sextavada de 2,5 mm (B).



7.3. MONTAR UM CALÇO NA INSERÇÃO DE MARCAÇÃO



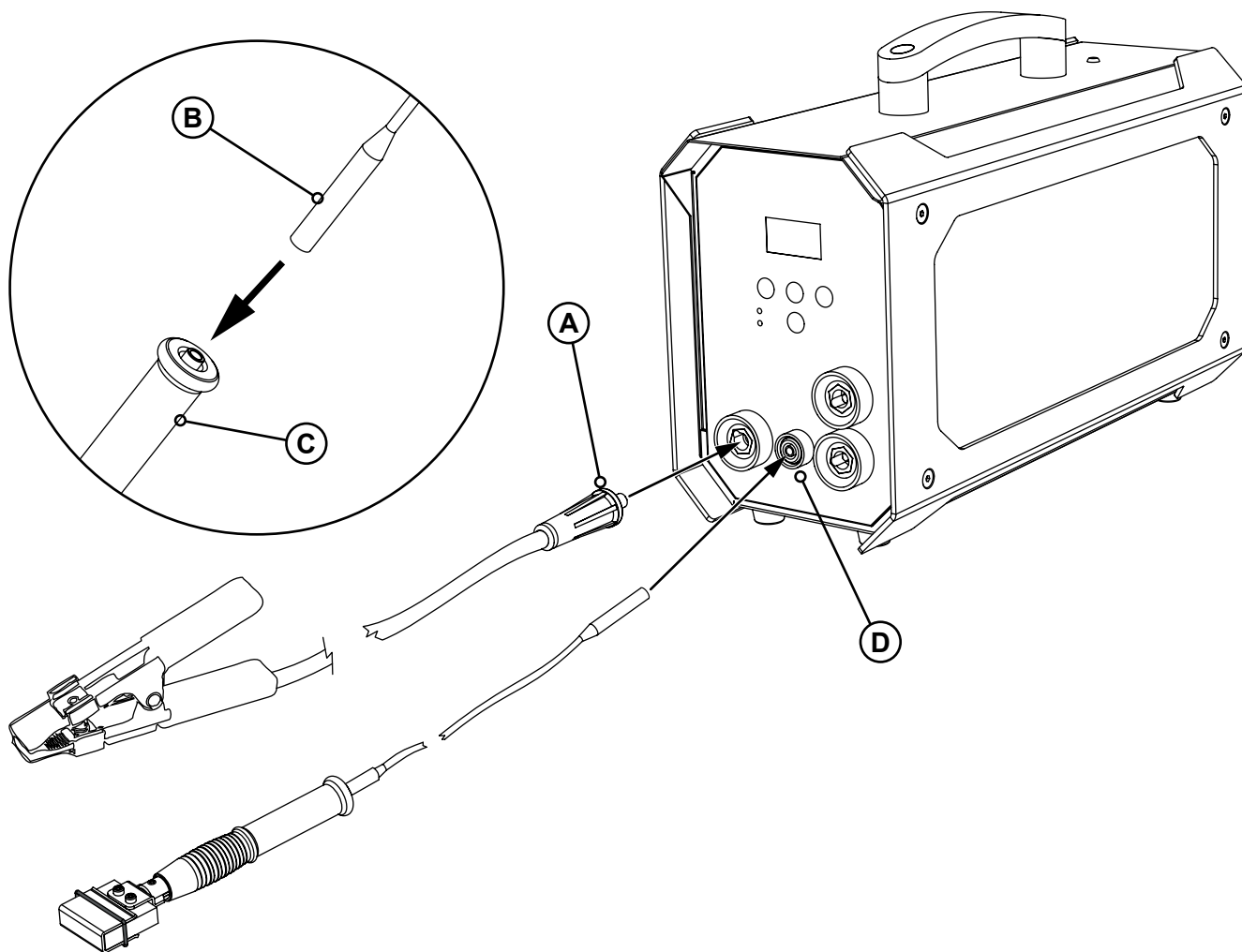
Ao instalar a almofada, a varinha de marcação/gravação não deve estar ligada ao dispositivo.



- Instale a pastilha **54-B 088** na varinha de marcação/gravação (consulte o capítulo 7.2).
- Dobre a almofada **54-B 083** numa forma de U e cole-a ao eletrodo.
- Aperte o calço no lugar usando o O-ring **54-B 089** (A).

7.4. INSTALAÇÃO ELÉTRICA

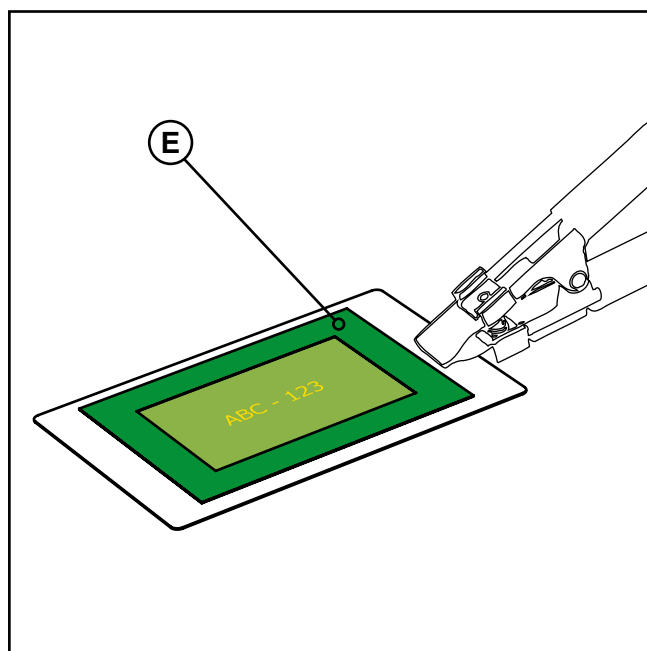
- Ligue a ficha do cabo de massa (A) à tomada vermelha no painel frontal da unidade.
- Utilize o cabo de ligação (B) para efetuar a instalação elétrica da varinha de marcação/gravação; ligue uma extremidade ao acoplamento adequado na varinha (C) e a outra à tomada designada no painel frontal do dispositivo (D).



- Coloque o estêncil de serigrafia (E) na peça a ser marcada/gravada e verifique se todas as operações preliminares descritas no capítulo 5 foram realizadas corretamente. Em particular, certifique-se de que o grampo de crocodilo do cabo de terra foi preso à peça de aço inoxidável a ser tratada.



Antes de usar um novo estêncil de serigrafia, recomenda-se que o use numa superfície de amostra para fazer algumas marcações de teste para abrir totalmente as suas malhas e obter uma imagem ótima.




7.5. INÍCIO DO PROCESSAMENTO

- Escolha o líquido mais adequado de acordo com o tipo de marcação a efetuar:
 - ◇ **SURFOX-M**, para marcação; o resultado será uma marca escura e de alto contraste na peça de trabalho.
 - ◇ **SURFOX-E**, para gravação; o resultado será uma marcação clara, ligada devido ao princípio da erosão por faíscas.
- Deitar algumas gotas de solução de eletrólito (A) na almofada de marcação.



A almofada humedecida com a solução eletrolítica permite que sejam feitas cerca de 15 marcações consecutivas, após as quais deve ser reumedecida.

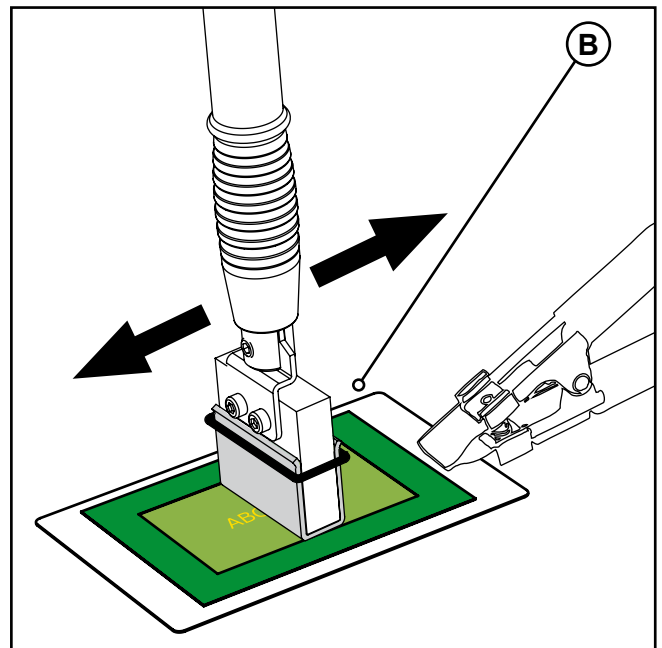
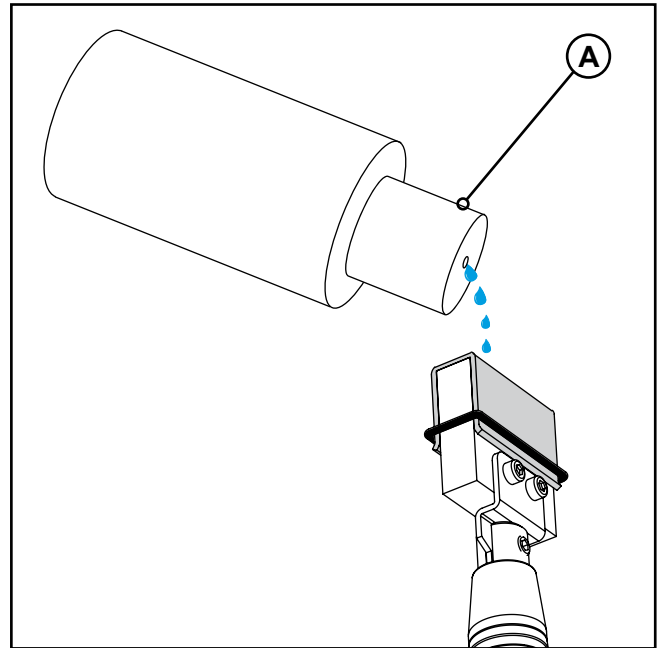
- Ligue o dispositivo rodando o interruptor principal (localizado no painel traseiro da unidade) para a posição "I".
- Selecione o modo de funcionamento pretendido pressionando o botão **MODE** no painel de controlo (para mais informações, consulte o *capítulo 3.3*).
- Ao contrário da limpeza e polimento, o processo de marcação/gravação com a inserção de 35 mm requer uma quantidade mínima de corrente, pelo que não é necessário selecionar uma determinada tensão de trabalho.
- Prima o botão  no painel de controlo para iniciar o dispositivo.



Uma vez iniciado, o dispositivo desliga-se automaticamente após cerca de 30 segundos de inatividade.

Esta é uma medida de precaução para evitar que a varinha seja acidentalmente alimentada no final do processamento.


- Aplique repetidamente a almofada de marcação húmida no logótipo ou no texto que tem de ser impresso na superfície de aço inoxidável (B).



- Fique dentro das bordas do estêncil para evitar marcar o aço fora da área desejada.
- Manter sempre a almofada bem humedecida com a solução eletrolítica para evitar o sobreaquecimento e consequente redução significativa da sua vida útil; se houver sinais óbvios de desgaste, substituir imediatamente o componente.
- Nunca use um inserto sem a sua almofada correspondente; o inserto nunca deve ser colocado em contacto direto com o estêncil.
- O dispositivo fornece automaticamente a tensão apropriada quando o modo de funcionamento da marcação é selecionado. Não prima os botões - e + no painel de controlo para ajustar a potência de saída, caso contrário podem ocorrer vários problemas, tais como:
 - ◇ Marcações fracas e/ou mal definidas.
 - ◇ Queimaduras na almofada de marcação.
 - ◇ Queimaduras no estêncil de serigrafia.
 - ◇ Halos indesejados na peça de trabalho.

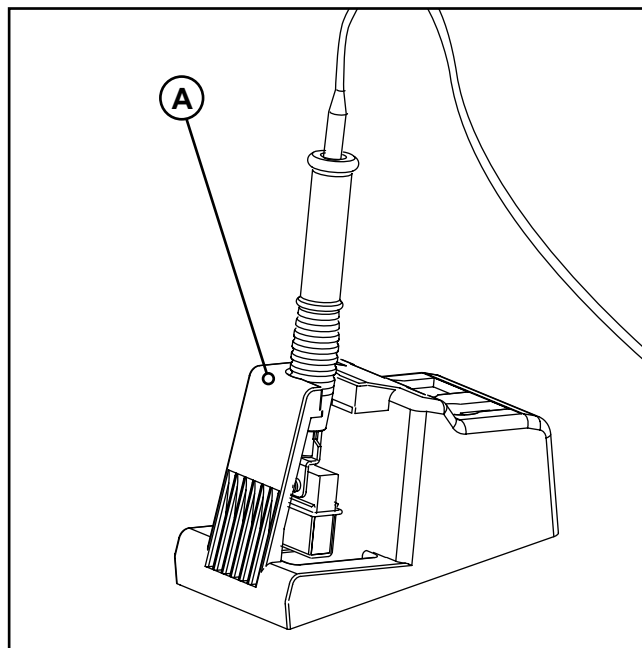


7.6. APÓS O PROCESSAMENTO

- Prima o botão  no painel de controlo para parar a alimentação de corrente para a varinha de marcação/ gravação.
- Volte a colocar a varinha no suporte (A).



No final do processamento, guarde sempre a varinha e outros acessórios de forma adequada. Se a varinha permanecer alimentada acidentalmente enquanto repousa sobre a peça tratada, o processo de marcação eletroquímica continuaria em cada porção de aço inoxidável em contacto com a almofada e danificaria-a permanentemente. Nunca coloque a varinha em cima do dispositivo durante pausas ou no final do processamento, uma vez que a solução de eletrólito pode pingar da almofada humedecida e penetrar no interior da unidade. Utilize sempre o suporte adequado e esvazie o tabuleiro de recolha quando necessário. O dispositivo deve, em qualquer caso, ser mantido o mais limpo possível.

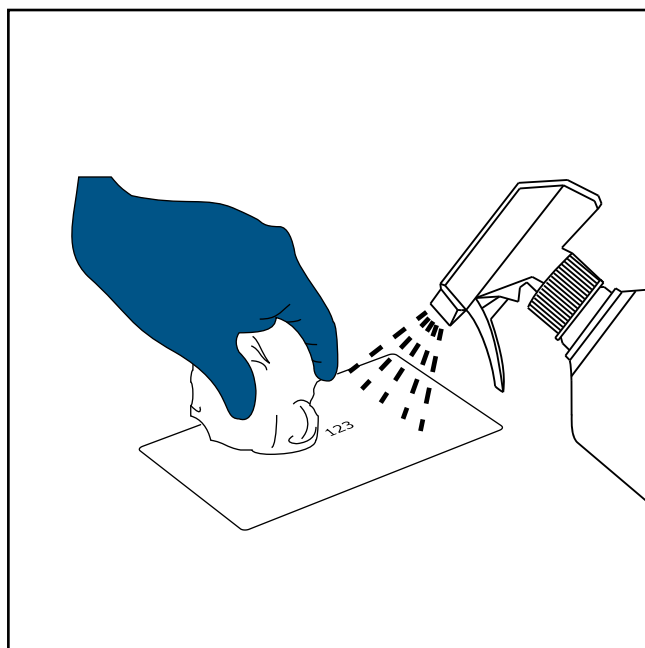


- Desligue o grampo de crocodilo do cabo de massa da peça maquinada.
- Use a solução SURFOX-N na peça tratada.



É muito importante pulverizar a solução SURFOX-N na peça de trabalho; este produto neutraliza qualquer solução de marcação residual, evitando assim a formação de halos e pontos brancos. Em alternativa, é possível limpar a superfície com um jato abundante de água.

- Esfregue a superfície com um pano de microfibras humedecido com água limpa.
- Secar a superfície usando um pano de microfibras seco.



7.7. DESLIGAMENTO

- Desligue o dispositivo rodando o interruptor principal para a posição "0".
- Desligue a ficha da unidade da tomada da fonte de alimentação.
- Realize a manutenção de rotina no dispositivo, conforme descrito no *capítulo 8.1*.
- Para limitar qualquer impactos ambiental, as pastilhas usadas e os líquidos usados devem ser sempre eliminados de acordo com os regulamentos atuais de eliminação de resíduos (consulte o *capítulo 9* para obter informações adicionais).

8. MANUTENÇÃO

A manutenção só deve ser realizada no dispositivo por técnicos qualificados autorizados pelo fabricante.

WALTER não é responsável por perdas ou danos causados ao dispositivo durante operações de reparação realizadas por pessoal não treinado especificamente para esta tarefa.

O fabricante também não assume qualquer responsabilidade no caso de utilização de peças ou acessórios não originais durante trabalhos de manutenção; qualquer perda ou dano direto ou indireto causado por tal conduta é inteiramente da responsabilidade do cliente.



É importante proceder sempre com extrema cautela durante as operações de manutenção, lembrando-se de:

- Coloque o interruptor principal na posição "O".
- Desligue o dispositivo da corrente elétrica.
- Se as operações de manutenção exigirem que o dispositivo seja aberto, tenha sempre o máximo de cuidado ao manusear as peças internas, especialmente se suspeitar que existe uma perda de solução de eletrólito do circuito hidráulico.
- Tenha cuidado ao remover componentes dentro do dispositivo, pois as placas e suportes podem ter arestas afiadas.

Recomenda-se que consulte o capítulo 1, onde todos os regulamentos de segurança estão detalhados para que possa trabalhar no dispositivo, minimizando os riscos.

8.1. MANUTENÇÃO DE ROTINA

ANTES DE CADA TURNO DE TRABALHO

- Verifique todos os componentes do dispositivo quanto a desgaste e substitua-os, se necessário; use apenas peças sobressalentes originais.
- Certifique-se de que as tomadas, os conectores e os cabos utilizados estão em bom estado; a fiabilidade de todos os equipamentos elétricos deve ser sempre garantida.
- Mantenha as ranhuras de ventilação na unidade limpas para garantir que estas aberturas não estão obstruídas por obstáculos. Mantenha espaço suficiente à volta do dispositivo para garantir uma ventilação adequada.

PROCEDIMENTOS DE LIMPEZA NO FINAL DO TURNO DE TRABALHO

É importante manter o dispositivo o mais limpo possível.

- Remova as escovas/almofadas do adaptador/inserção para evitar a formação de incrustações no eletrodo devido à evaporação da solução de eletrólito.
- Neutralize todas estas ferramentas com a solução SURFOX-N.
- Depois de neutralizar, enxágue sempre as escovas/almofadas com água limpa e seque-as com um pano de microfibras seco.
- Se as escovas/almofadas mostrarem sinais óbvios de desgaste ou queimaduras, substitua-as imediatamente.
- Depois de arrefecer, limpe a inserção da varinha e a ponta com água corrente para evitar a formação de incrustações.
- Limpe o pó e os depósitos de sujidade no exterior da unidade.
- Mantenha as aberturas de ventilação limpas e livres de quaisquer obstáculos.
- Limpe o cabo de alimentação para evitar a deterioração e verifique se existem possíveis danos no cabo e na ficha.

8.2. MANUTENÇÃO EXTRAORDINÁRIA

Operações de manutenção extraordinárias são normalmente realizadas por técnicos especializados da empresa **WALTER** ou pela sua rede de centros de assistência autorizados.

9. ELIMINAÇÃO E DESMANTELAMENTO



Aja no sentido de garantir a máxima proteção ambiental.
Elimine resíduos residuais em conformidade com as normas ambientais federais, provinciais, estaduais e locais.

9.1. EMBALAGEM

Este tipo de resíduos é semelhante ao lixo urbano e pode ser eliminado em centros de resíduos municipais sem representar uma ameaça acrescida para os seres humanos e para o ambiente.

9.2. ALMOFADAS USADAS

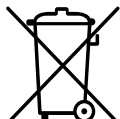
São resíduos especiais e devem ser eliminados de acordo com as leis aplicáveis.

9.3. RESÍDUOS LÍQUIDOS

Durante o processamento (limpeza e polimento), metais pesados são depositados nas soluções eletrolíticas utilizadas: Portanto, os líquidos usados devem ser considerados resíduos especiais e devem ser eliminados de acordo com as leis em vigor no país de uso.

Consulte a folha de dados de segurança **WALTER** das soluções de limpeza de eletrólitos SURFOX.

9.4. DISPOSITIVOS E EQUIPAMENTOS OBSOLETOS



São considerados resíduos especiais, para serem descartados de acordo com o tipo. Com referência à diretiva EC-2002/96 relativa aos resíduos de equipamentos elétricos e eletrônicos (REEE), o utilizador, ao eliminar o material, deve separar os componentes elétricos e eletrônicos e eliminá-los em centros de recolha autorizados adequados, ou devolvê-los ao vendedor com o produto ainda instalado.

10. DECLARAÇÃO DE CONFORMIDADE

Exova
121 Boulevard Hymus
Pointe-Claire
Québec
Canada
H9R 1E6

T: +1 (514) 697-3273
F: +1 (514) 697-2090
C: ventes@exova.com
W: www.exova.com



TEST CERTIFICATE

J. WALTER COMPANY LTD. 5977 TRANS CANADA HIGHWAY POINTE-CLAIRE, Québec H9R 1C1 Requested by Nathalie Vézina X2848	Sample #: 48840 Lab #: 22156 COA #: 23756 Issue #: 2 Date: 2013-02-15	Material: NA Shape: NA Condition: Not Applicable
--	--	---

PO 230113NV **Customer's ID:** 2 samples 3" X 3" pre-passivated and identified as SURFOX-G sample 1 & 2 **Material:** Stainless steel panels

Description: Samples received were cleaned and passivated per ASTM A-380

Label: SURFOX-G sample 1		SALT SPRAY	
Parameter	Unit	Result	
# of Samples		2	
Specimen type		Panels	
Dimensions	inch.	3X3	
Exposure zone temperature	°F	92-97	
Exposure period	hrs	2.5	
Angle		15-30°	
pH		6.5-7.2	
Solution Concentration	% NaCl	4-6	
Collection Rate	ml/hr/80cm²	1.0-2.0	
Type of water	ASTM	Type IV	
Purity of salt		99.95%	
Copper content	ppm	< 0.3	
Total other impurities		< 0.3%	
Halides content		< 0.1%	
Observation		See comments	

Tested in Accordance To ASTM B117-11

SALT SPRAY test in accordance with ASTM A967-05 practice C.

After 2.5 hour exposition in the salt spray chamber:

Surfox- G sample 1: No rust present

Surfox- G sample 2: No rust present

Issue 2: To correct sample identification from issue 1, dated 2013-02-08

Exova
121 Boulevard Hymus
Pointe-Claire
Québec
Canada
H9R 1E6

T: +1 (514) 697-3273
F: +1 (514) 697-2090
C: ventes@exova.com
W: www.exova.com



TEST CERTIFICATE

J. WALTER COMPANY LTD. 5977 TRANS CANADA HIGHWAY POINTE-CLAIRE, Québec H9R 1C1 Requested by Nathalie Vézina X2848	Sample #: 48840 Lab #: 22156 COA #: 23756 Issue #: 2 Date: 2013-02-15	Material: NA Shape: NA Condition: Not Applicable
--	--	---

PO	230113NV	Customer's ID:	2 samples 3" X 3" pre-passivated and identified as SURFOX-G sample 1 & 2	Material:	Stainless steel panels
-----------	----------	-----------------------	--	------------------	------------------------

Description: Samples received were cleaned and passivated per ASTM A-380

Label: SURFOX-G sample 1

TECHNICAL SERVICES **

WATER IMMERSION TEST as per ASTM A967-05 practice A

The samples were immersed in distilled water for 1h, followed by a drying period of 1 h in a dessicator. This cycle was repeated 12 times. Test results

Surfox-G sample 1: No metallic iron particles were observed on the test zone at the end of the cycles.

Surfox-G sample 2: No metallic iron particles were observed on the test zone at the end of the cycles.

HUMIDITY TEST as per ASTM A967-05 Practice B.

The samples were cleaned with acetone and dried in a dessicator. They were then exposed to 100% humidity (38±3 °C) for 24 hours. Test results :

Surfox-G sample 1: No rust observed on the tested zone at the end of exposure.

Surfox-G sample 2: No rust observed on the tested zone at the end of exposure.

COPPER SULFATE TEST in accordance with ASTM A967-05 practice D.

The test solution was prepared by dissolving 4 grams of copper sulfate in 250 ml of water, to which 1 ml of sulfuric acid was added.

The test solution was swabbed on the samples and were to keep them humid for at least 6 minutes. Test results:

Surfox-G sample 1: No copper deposit observed on the tested zone.

Surfox-G sample 2: No copper deposit observed on the tested zone.

POTASSIUM FERRICYANIDE-NITRIC ACID TEST in accordance with ASTM A967-05 practice E.

The test solution was prepared by adding 10g of chemically pure potassium ferricyanide to 500ml of distilled water , adding 30 mL of 70% nitric acid, agitating until all of ferricyanide was dissolved, and diluting to 1000 mL with distilled water. The test solution was swabbed on the surface of the samples. Test results :

Surfox-G sample 1: There was no formation of a dark blue color within 30s on the tested zone.

Surfox-G sample 2: There was no formation of a dark blue color within 30s on the tested zone.

Each test was performed on separate samples.

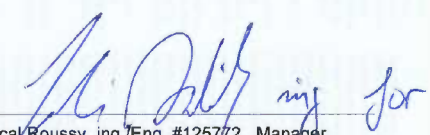
Issue 2: To correct sample identification from issue 1, dated 2013-02-08

Aerospace/military samples shall be retained for 6 months, other samples, see contract terms and conditions.

The recording of false, fictitious or fraudulent statements or entries on this document may be punished as a felony under federal law.

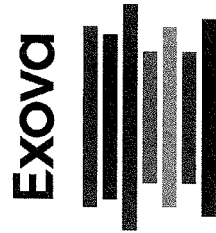
* Denotes the laboratory is accredited to the identified test method by ISO 17025 but not by NadCap.

** Denotes the laboratory is not accredited to the identified test method by ISO 17025 or NadCap.


Pascal Roussy, ing./Eng. #125772, Manager,
Metallurgy and Mechanical Testing

Exova
 121 Boulevard Hymus
 Pointe-Claire
 Québec
 Canada
 H9R 1E6

T: +1 (514) 697-3273
 F: +1 (514) 697-2090
 C: ventes@exova.com
 W: www.exova.com



TEST CERTIFICATE

J. WALTER COMPANY LTD. 5977 TRANS CANADA HIGHWAY POINTE-CLAIRE, Québec H9R 1C1 Requested by Nathalie Vézina X2848	Sample #: 31067 Lab #: 13887 COA #: 15164 Issue #: 1 Date: 2010-11-19	Material: NA Shape: NA Condition: Not Applicable
--	--	---

PO	08112010-NV	Client's ID	8 test panels 3" X 10" - 4 panels identified as Surfox-H and 4 panels identified as Surfox-T	Description	Samples received were cleaned and passivated per ASTM A380
-----------	-------------	--------------------	--	--------------------	--

Label: Surfox-H and T **TECHNICAL SERVICES ****

WATER IMMERSION TEST as per ASTM A967-05 practice A
 The two samples were immersed in distilled water for 1h, followed by a drying period of 1 h in a dessicator
 This cycle was repeated 12 times
 Observation after the test :
 Surfox-H : No metallic iron particles were observed in the test zone at the end of the cycles.
 Surfox-T : No metallic iron particles were observed in the test zone at the end of the cycles.

Aerospace/military samples shall be retained for 6 months, other samples, see contract terms and conditions.
 The recording of false, fictitious or fraudulent statements or entries on this document may be punished as a felony under federal law.
 * Denotes the laboratory is accredited to the identified test method by ISO 17025 but not by NadCap.
 ** Denotes the laboratory is not accredited to the identified test method by ISO 17025 or NadCap.


 Fadi Saliby, ing.

THE RESULTS PRESENTED ABOVE RELATE ONLY TO THE ITEMS SUBMITTED FOR TESTING
 THIS CERTIFICATE OR REPORT SHALL NOT BE REPRODUCED EXCEPT IN FULL, WITHOUT APPROVAL OF LABORATORY.



Exova
121 Boulevard Hymus
Pointe-Claire
Québec
Canada
H9R 1E6

T: +1 (514) 697-3273
F: +1 (514) 697-2090
C: ventes@exova.com
W: www.exova.com



TEST CERTIFICATE

J. WALTER COMPANY LTD. 5977 TRANS CANADA HIGHWAY POINTE-CLAIRE, Québec H9R 1C1 Requested by Nathalie Vézina X2848	Sample #: 31068 Lab #: 13887 COA #: 15165 Issue #: 1 Date: 2010-11-19	Material: NA Shape: NA Condition: Not Applicable
--	--	---

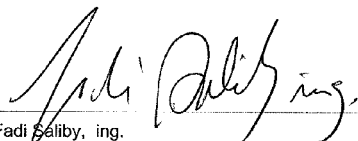
PO	08112010-NV	Client's ID	8 test panels 3" X 10" - 4 panels identified as Surfox-H and 4 panels identified as Surfox-T	Description	Samples received were cleaned and passivated per ASTM A380
-----------	-------------	--------------------	--	--------------------	--

Label: Surfox-H and T	TECHNICAL SERVICES **
------------------------------	------------------------------

HUMIDITY TEST as per ASTM A967-05 Practice B.
The two samples were cleaned with acetone and dried in a dessicator. They were then exposed to 100% humidity (38±3 °C) for 24 hours.

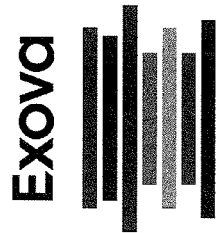
Test results :
Surfox-H : No rust observed
Surfox-T : No rust observed

Aerospace/military samples shall be retained for 6 months, other samples, see contract terms and conditions.
The recording of false, fictitious or fraudulent statements or entries on this document may be punished as a felony under federal law.
* Denotes the laboratory is accredited to the identified test method by ISO 17025 but not by NadCap.
** Denotes the laboratory is not accredited to the identified test method by ISO 17025 or NadCap.


Fadi Saliby, ing.

Exova
 121 Boulevard Hymus
 Pointe-Claire
 Québec
 Canada
 H9R 1E6

T: +1 (514) 697-3273
 F: +1 (514) 697-2090
 C: ventes@exova.com
 W: www.exova.com



TEST CERTIFICATE

J. WALTER COMPANY LTD. 5977 TRANS CANADA HIGHWAY POINTE-CLAIRE, Québec H9R 1C1 Requested by Nathalie Vézina X2848	Sample #: 31069 Lab #: 13887 COA #: 15166 Issue #: 1 Date: 2010-11-19	Material: NA Shape: NA Condition: Not Applicable
--	--	---

PO	08112010-NV	Client's ID	8 test panels 3" X 10" - 4 panels identified as Surfox-H and 4 panels identified as Surfox-T	Description	Samples received were cleaned and passivated per ASTM A380
-----------	-------------	--------------------	--	--------------------	--

Label: Surfox-H and T		SALT SPRAY	
Parameter	Unit	Result	
# of Samples		2	
Specimen type		Panels	
Dimensions	inch.	3X10	
Exposure zone temperature	°F	92-97	
Exposure period	hrs	3	
Angle		15-30°	
pH		6.5-7.2	
Specific gravity		1.0255-1.040	
Collection Rate	ml/hr/80cm ²	1.0-2.0	
Type of water	ASTM	Type IV	
Purity of salt		99.95%	
Copper content	ppm	< 0.3	
Total other impurities		< 0.3%	
Halides content		< 0.1%	
Observation		See comments	

Tested in Accordance To SOP-54-009-93 (ASTM B117-09)

SALT SPRAY test in accordance with ASTM A967-05 practice C.

After 2 hour exposition in the salt spray chamber:

Surfox-H: No rust present

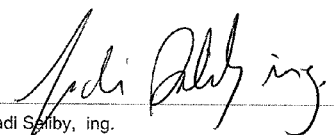
Surfox-T: No rust present

Aerospace/military samples shall be retained for 6 months, other samples, see contract terms and conditions.

The recording of false, fictitious or fraudulent statements or entries on this document may be punished as a felony under federal law.

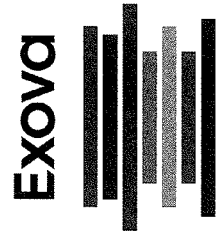
* Denotes the laboratory is accredited to the identified test method by ISO 17025 but not by NadCap.

** Denotes the laboratory is not accredited to the identified test method by ISO 17025 or NadCap.


 Fadi Saibby, ing.

Exova
121 Boulevard Hymus
Pointe-Claire
Québec
Canada
H9R 1E6

T: +1 (514) 697-3273
F: +1 (514) 697-2090
C: ventes@exova.com
W: www.exova.com



TEST CERTIFICATE

J. WALTER COMPANY LTD. 5977 TRANS CANADA HIGHWAY POINTE-CLAIRE, Québec H9R 1C1 Requested by Nathalie Vézina X2848	Sample #: 31070 Lab #: 13887 COA #: 15167 Issue #: 1 Date: 2010-11-19	Material: NA Shape: NA Condition: Not Applicable
--	--	---

PO	08112010-NV	Client's ID	8 test panels 3" X 10" - 4 panels identified as Surfox-H and 4 panels identified as Surfox-T	Description	Samples received were cleaned and passivated per ASTM A380
-----------	-------------	--------------------	--	--------------------	--

Label: Surfox-H and T	TECHNICAL SERVICES **
------------------------------	------------------------------

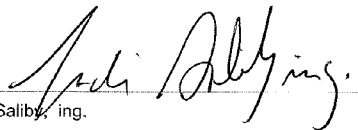
COPPER SULFATE test in accordance with ASTM A967-05 practice D.

The test solutin was prepared by dissolving 4 grams of copper sulfate in 250 ml of water, to which 1 ml of sulfuric acid was added. The test solution was swabbed on the two samples and were to keep them humid for at least 6 minutes.

Test results:

Surfox-H :No copper deposit observed
Surfox-T :No copper deposit observed

Aerospace/military samples shall be retained for 6 months, other samples, see contract terms and conditions.
The recording of false, fictitious or fraudulent statements or entries on this document may be punished as a felony under federal law.
* Denotes the laboratory is accredited to the identified test method by ISO 17025 but not by NadCap.
** Denotes the laboratory is not accredited to the identified test method by ISO 17025 or NadCap.


Fadi Saliby, ing.

11. CONDIÇÕES GERAIS DE GARANTIA

- O SURFOX MAX e os seus acessórios são inspecionados e testados antes da expedição e têm a garantia de estarem livres de qualquer defeito de material e de mão-de-obra defeituosa
- Os dispositivos construídos pela **WALTER** são garantidos contra defeitos de material e construção por um período de 24 meses após a data da compra original.
- Se um exame mostrar que o mau funcionamento foi causado por material defeituoso ou mão-de-obra defeituosa, **WALTER** irá reparar (ou, a nosso critério, substituir a unidade) sem custos.
- Em caso de uso indevido, **WALTER** não será responsável por qualquer um dos seguintes:
 - ◊ Ferimentos pessoais (menores, moderados ou fatais) ao utilizador ou a terceiros.
 - ◊ Danos materiais nas proximidades do dispositivo ou danos no próprio dispositivo.
 - ◊ Desempenho do dispositivo abaixo das expectativas.
 - ◊ Utilização em violação dos regulamentos aplicáveis.
 - ◊ Instalação incorreta do dispositivo.
 - ◊ Utilização de uma fonte de alimentação que não esteja em conformidade com as especificações do equipamento.
 - ◊ Falta grave de manutenção.
 - ◊ Modificações ou ajustes não autorizados.
 - ◊ Utilização de peças sobressalentes não originais ou peças sobressalentes não específicas desta gama de modelos.
 - ◊ Uso de líquidos que não são recomendados pela **WALTER** ou não específicos para esta gama de modelos.
 - ◊ Falha, no todo ou em parte, em seguir as instruções.
 - ◊ Condições excepcionais.
 - ◊ Outros usos impróprios.
- Os trabalhos cobertos pela garantia serão realizados na fábrica **WALTER** ou no centro de assistência técnica autorizado nos seguintes termos:
 - ◊ A garantia não se aplica quando é necessária uma manutenção normal.
 - ◊ Os custos de frete, embalagem e transporte são sempre para a conta do utilizador e as mercadorias viajam por risco do utilizador; temos de receber o material de carga pré-pago e devidamente embalado.
 - ◊ A garantia não se aplica a produtos que tenham sido desmontados, reparados ou de qualquer forma adulterados por pessoal não autorizado, ou se o número de série tiver sido removido ou modificado.
 - ◊ As falhas decorrentes de pancadas, negligência, uso indevido, fonte de alimentação incorreta ou erros de correção não são cobertas pela garantia.
 - ◊ A garantia não cobre quaisquer danos causados por acidentes, modificações, uso de acessórios impróprios, abuso ou uso indevido, o que também inclui sobrecarregar a ferramenta para além da sua capacidade nominal, bem como o seu uso continuado após falha parcial.
 - ◊ Os componentes acessórios expansíveis do dispositivo não estão cobertos pela garantia.
 - ◊ A garantia cobre os materiais e a mão-de-obra necessários para as operações de substituição. O frete, as despesas de viagem, etc., não estão incluídos e serão cobrados ao custo.
- Nenhuma outra garantia, escrita ou verbal, é autorizada.
- Em nenhum caso **WALTER** será responsável por quaisquer danos indiretos, incidentais ou consequentes da venda do produto. Esta isenção de responsabilidade aplica-se tanto durante como após o termo desta garantia.
- Esta garantia dá-lhe direitos específicos. As disposições contidas nesta garantia não se destinam a limitar, modificar, retirar, renunciar ou excluir quaisquer garantias estabelecidas em qualquer legislação provincial ou estatal. Na medida do exigido por lei, as disposições em qualquer legislação provincial, estadual ou federal em relação às garantias têm precedência sobre as disposições desta garantia.

12. REPARAÇÃO E MANUTENÇÃO

- Após o período de garantia, o nosso serviço pós-venda estará à disposição do cliente para quaisquer ajustes e/ou reparações nos dispositivos que produzimos. Os custos relativos serão submetidos para aprovação sob a forma de uma cotação (se solicitada) ou serão faturados com base no tempo e nos materiais.
- Se for necessário devolver o equipamento SURFOX MAX à fábrica **WALTER** ou ao centro de assistência autorizado, todo o equipamento deve ser cuidadosamente preparado e embalado para garantir uma remessa segura:
 - ◇ Limpar, neutralizar e secar todos os acessórios.
 - ◇ Limpe a unidade.
 - ◇ Use a caixa de envio original.
 - ◇ Use uma embalagem suficiente.
 - ◇ Envie num pequeno palete.
 - ◇ Inclua um documento de envio com uma descrição detalhada do problema, nome da empresa, endereço, números de telefone e fax e pessoa de contato.



Recolher todo o líquido num recipiente resistente a ácidos adequado.

WALTER não é responsável por qualquer perda ou dano a pessoas ou bens devido à fuga de solução de eletrólito dos acessórios de limpeza durante as operações de embalagem e transporte para os centros de assistência.

13. ESPECIFICAÇÕES TÉCNICAS

Modelo	SURFOX MAX	
Número de peça	54-D 096	54-D 095
Tensão de entrada	120 V - 50/60 Hz	230 V - 50/60 Hz
Potência de entrada	1200 W	2400 W
Corrente de entrada	10 A	
Tensão de saída	3÷30 V	
Ajuste da tensão de saída	1 V	
Classe de isolamento	IP21S	
Nível de ruído	Menos de 65 dB (A)	
Peso (vazio)	9,2 kg (20 lb)	
Dimensões	6,1" x 10,8" x 16,1" (155 x 275 x 410 mm)	
Varinhas	Varinha DW Varinha de marcação *	
Funções	Limpeza Polimento Marcação	

* opcional



Walter Surface Technologies Inc.

810 Day Hill Road

Windsor, CT 06095, EUA

Telefone: 860-298-1100

Atendimento ao cliente: 800-522-0321

Assistência técnica: 1-866-592-5837

SURFOX MAX

MANUAL DEL USUARIO



TABLA DE CONTENIDOS

1. Seguridad	5
1.1. Equipo de protección individual (EPI).....	6
1.2. Sistemas de protección integrados en el aparato.....	8
1.3. Riesgos residuales.....	8
1.4. Medidas de primeros auxilios.....	8
2. Características del dispositivo	9
2.1. Campos de aplicación.....	9
2.2. Fundamentos de la pasivación.....	9
2.3. Transporte y almacenamiento del dispositivo.....	9
2.4. Componentes del dispositivo.....	10
2.5. Cómo montar el soporte de la varilla.....	12
3. Panel de Control	13
3.1. Descripción General.....	13
3.2. Cambio del idioma.....	13
3.3. Estructura del menú.....	14
3.4. Mensajes de alarma.....	15
4. Accesorios de montaje en la varilla DW	16
4.1. Resumen de los accesorios de la varilla DW.....	16
4.2. Instalación del adaptador del cepillo / inserto.....	17
4.3. Montaje del cepillo DW.....	18
4.4. Almohadilla de montaje en el inserto de grafito 45 mm.....	19
4.5. Almohadilla de montaje en el inserto de grafito 100 mm.....	20
5. Antes de la puesta en marcha del dispositivo	21
5.1. Precauciones para el uso del dispositivo.....	21
5.2. Instalación eléctrica.....	22
6. Limpieza y pulido de soldaduras	23
6.1. Inicio del proceso.....	23
6.2. Después del proceso.....	25
6.3. Apagado.....	25
7. Marcado/Grabado (opcional)	26
7.1. Resumen de los accesorios de la varilla de marcado/grabado.....	26
7.2. Instalación del inserto de marcado.....	27
7.3. Montaje de una almohadilla en el inserto de marcado.....	27
7.4. Instalación eléctrica.....	28
7.5. Inicio del proceso.....	29
7.6. Después del proceso.....	30
7.7. Apagado.....	30
8. Mantenimiento	31
8.1. Mantenimiento de rutina.....	31
8.2. Mantenimiento extraordinario.....	31
9. Eliminación y desguace	32
9.1. Embalaje.....	32
9.2. Almohadillas usadas.....	32
9.3. Residuos líquidos.....	32
9.4. Dispositivos y equipos obsoletos.....	32
10. Declaración de Conformidad	33
11. Condiciones Generales de Garantía	39
12. Reparación y Servicio	40
13. Especificaciones técnicas	41

Es necesario leer atentamente las instrucciones de este manual antes de cualquier operación.

Este manual proporciona la información principal para una adecuada y segura instalación, puesta en marcha, operación y mantenimiento del dispositivo.

Este manual pretende familiarizar al usuario con esta unidad, sus características particulares, aplicaciones, limitaciones y las sugerencias y recomendaciones del fabricante.

El manual es parte integrante del aparato y debe guardarse con cuidado hasta que se desmonte la unidad.

Este manual refleja el estado del dispositivo en el momento de la entrega y no puede considerarse inadecuado por el mero hecho de actualizaciones posteriores basadas en experiencia adicional.

Este dispositivo está construido con una durabilidad extra para soportar las fuertes exigencias del uso industrial. Sin embargo, como cualquier pieza de equipo eléctrico, siempre se debe tener cuidado y seguridad al utilizar y mantener esta valiosa inversión. Con el cuidado y mantenimiento adecuados, su unidad le proporcionará años de servicio fiable.

EL DEPARTAMENTO DE ASISTENCIA AL CLIENTE DE WALTER (walter.com) está a su disposición para facilitarle toda la información comercial y de usuario.



1. SEGURIDAD



El SURFOX MAX de **WALTER** se fabrica de acuerdo con las normas aplicables que rigen la fabricación, el rendimiento y la seguridad de los productos industriales.



Todas las personas encargadas de la instalación, el funcionamiento, el mantenimiento y la reparación del dispositivo deben poseer la cualificación técnica adecuada y cumplir meticulosamente las disposiciones de este manual de usuario.

Para reducir el riesgo de incendio, descarga eléctrica y lesiones personales, siga siempre las precauciones básicas de seguridad cuando utilice este equipo.

OBLIGACIONES DEL RESPONSABLE DEL DISPOSITIVO

El propietario del dispositivo y/o cualquier persona responsable de la seguridad deben:

- Asegurarse de que todos los usuarios del dispositivo están adecuadamente formados en lo que respecta a la normativa vigente en materia de salud y seguridad en el trabajo.
- Asegurarse de que todos los usuarios del dispositivo han leído este manual del usuario en su totalidad y lo han comprendido, en particular las secciones sobre normas de seguridad.
- Comprobar periódicamente que todo el personal opera siempre respetando las normas de seguridad.
- Inspeccionar periódicamente el equipo para asegurarse de que funciona correctamente y cumple la función prevista. Las piezas dañadas o defectuosas deben ser reparadas o sustituidas inmediatamente sólo por personal cualificado **WALTER**. Consulte la lista de piezas de recambio para obtener el número de pedido y póngase en contacto con un Centro de Servicio de Fábrica **WALTER** o un Centro de Servicio Autorizado **WALTER**.
- Compruebe periódicamente que todas las señales de seguridad colocadas en el dispositivo (placa de datos, pegatinas con símbolos de peligro, etc.) sean claramente legibles y no estén dañadas, sobrescritas, retiradas u ocultas por otros objetos.

OBLIGACIONES DEL USUARIO

El personal autorizado a utilizar el dispositivo debe:

- Operar de acuerdo con la normativa vigente en materia de seguridad e higiene en el trabajo.
- Leer atentamente este manual de usuario, prestando especial atención a las secciones relativas a las normas de seguridad.
- Firmar un documento en el que declara haber leído y comprendido este manual, y que se compromete a seguir todas las instrucciones contenidas en el mismo.
- Cuando trabaje, utilice siempre equipos y ropa de protección individual (véase *el capítulo 1.1*).
- Utilizar el dispositivo únicamente como se explica en este manual; un uso inadecuado aumenta el riesgo de lesiones personales accidentales y/o daños materiales.
- Mantenerse alerta en todo momento cuando manipule esta unidad. Vigilar lo que hace. Utilizar el sentido común. No utilizar el dispositivo si está cansado. No dejarlo nunca en marcha sin vigilancia.
- No utilizar la unidad si el interruptor no se enciende y apaga.
- Sujetar firmemente la varilla. No extenderse demasiado, mantener una buena posición y el equilibrio en todo momento.
- Mantener la zona de trabajo limpia y bien iluminada. Un entorno desordenado favorece los accidentes. Retirar cualquier material que pueda inflamarse con las chispas. No utilizar este equipo en presencia de líquidos o gases inflamables. Mantener los mangos limpios, secos y libres de solución limpiadora, aceite y grasa. No utilizarlo en lugares lluviosos, húmedos o mojados.
- Tomar las precauciones adecuadas y asegurar siempre el dispositivo durante los periodos en los que la estación de trabajo no esté ocupada (como durante los descansos o al final del turno).
- No abusar del cable de alimentación. No tirar nunca de la unidad ni levantarla por el cable, ni tirar de ella para desconectarla de la toma de corriente. Mantener el cable alejado del calor, el aceite y los bordes afilados. Inspeccionar el cable regularmente y hacerlo reemplazar por un Centro de Servicio de Fábrica **WALTER** o un Centro de Servicio Autorizado **WALTER** si está dañado.
- Mantener a los niños y a otras personas alejados de la zona de trabajo. Asegurarse de que no haya nadie debajo de usted cuando trabaje en lugares altos. No permitir que personas no cualificadas manipulen esta máquina.

1.1. EQUIPO DE PROTECCIÓN INDIVIDUAL (EPI)

El uso de este dispositivo conlleva varios riesgos, por lo que es necesario utilizar un equipo de protección individual (EPI) adecuado.



SOLUCIONES ELECTROLÍTICAS

Para su funcionamiento normal, el dispositivo requiere el uso de soluciones electrolíticas especiales que contienen ácido fosfórico. **Estos productos son peligrosos porque:**

- Son corrosivos.
- Pueden provocar irritaciones y quemaduras si entran en contacto con la piel o las mucosas.
- Si entran en contacto con los ojos, pueden causar lesiones oculares graves.
- Su uso expone al operador a los riesgos típicamente asociados al uso de sustancias químicas.

Además, durante el procesamiento, estas sustancias:

- Conducen elevados flujos de corriente eléctrica potencialmente peligrosos si se tocan.
- Liberan humos nocivos cuando se evaporan.

No utilice productos distintos de los indicados en este manual (de lo contrario quedará anulada cualquier forma de garantía) ni mezcle estos productos con otros.

Guarde siempre estas sustancias en un lugar seguro, en sus envases originales, fuera del alcance de los niños y de otras personas no cualificadas. Mantenga limpio el contenido del envase. No reutilizar las soluciones electrolíticas de limpieza.

En caso de contacto accidental con los ojos o la piel, o en caso de ingestión, siga las instrucciones indicadas en las fichas de datos de seguridad del producto (MSDS).

Véase también *capítulo 1.4*, donde se ilustran algunas medidas de primeros auxilios.

Puede solicitar una copia de las fichas de datos de seguridad de las soluciones electrolíticas en:

WALTER

Teléfono (US): +1 866-592-5837

Teléfono (CA): +1 888-592-5837

Sitio Web: walter.com



Todos los usuarios del dispositivo deben llevar ropa de trabajo adecuada para mitigar los riesgos relacionados con el uso de soluciones electrolíticas. La ropa debe cumplir los siguientes requisitos:

- Los guantes deben estar fabricados con materiales resistentes a ácidos y productos químicos.
- Todas las prendas deben ser impermeables para garantizar una mejor protección del usuario.
- La ropa y los dispositivos de protección deben estar siempre intactos y conservarse en buen estado.

Es importante mantener el dispositivo lo más limpio posible para reducir el riesgo de contacto accidental con soluciones electrolíticas.

Las operaciones realizadas con este dispositivo **deben llevarse a cabo en lugares bien ventilados.**

Si esto no es posible, como por ejemplo en el caso de uso en espacios confinados (silos, alcantarillas, depósitos, cámaras de combustión de hornos, tuberías, etc.), **se debe implantar un sistema de extracción adecuado.**

El aparato SURFOX MAX no está equipado con un dispositivo de extracción de humos incorporado, **por lo que se recomienda utilizar un sistema externo adecuado para este fin.**



PREVENCIÓN DE QUEMADURAS

Durante el proceso de limpieza, la punta de la varilla y la pieza de trabajo pueden alcanzar temperaturas muy elevadas:

- Las piezas muy calientes pueden provocar quemaduras en la piel al entrar en contacto con ellas.
- No toque la punta de la varilla ni la pieza de trabajo mientras esté trabajando o inmediatamente después de su uso, ya que pueden estar extremadamente calientes y provocar quemaduras graves.
- Deje que se enfríen antes de entrar en contacto con la piel expuesta.

Tenga mucho cuidado al manipular una pieza recién procesada y al retirar las almohadillas y los insertos.



Todos los usuarios del dispositivo deben llevar guantes de protección adecuados para la manipulación de las piezas y para el uso de la varilla.



DESCARGAS ELÉCTRICAS

Todas las descargas eléctricas son potencialmente mortales, por lo que es necesario tomar las medidas de seguridad adecuadas para minimizar el riesgo de descarga eléctrica:

- **Antes de conectar esta unidad, compruebe que la tensión y el amperaje indicados en su placa de características coinciden con los de la red eléctrica. Utilizar esta unidad de forma distinta a la especificada en la placa de características puede provocar lesiones personales al usuario y dañar la unidad.**
- **El dispositivo debe conectarse a una red eléctrica dotada de un sistema de puesta a tierra eficaz, que funcione y se compruebe periódicamente. En caso contrario, el fabricante queda eximido de toda responsabilidad por cualquier pérdida o daño causado por este grave acto de negligencia.**
- Esta unidad está equipada con un cable de alimentación de 3 conductores y un enchufe eléctrico de 3 clavijas que debe conectarse a una toma de corriente con toma de tierra adecuada.
- Nunca utilice el dispositivo en locales húmedos.
- Nunca toque nunca piezas bajo tensión.
- Nunca utilice nunca el aparato sin la cubierta protectora.
- Apague siempre el dispositivo si la estación de trabajo permanece desatendida (durante las pausas y al final de los turnos).
- Inspeccione con frecuencia el cable de alimentación y, si el revestimiento protector presenta daños o abrasiones, sustitúyalo inmediatamente.
- Cuando no esté en uso, APAGUE la unidad, desenchufe el cable de alimentación y la manguera de aire (si la hay).
- **Realice el mantenimiento sólo después de desconectar el aparato de la red eléctrica.**
- El mantenimiento de las piezas eléctricas sólo debe ser realizado por personal experimentado y autorizado.
- Utilice siempre piezas de recambio originales.

Si durante el uso del dispositivo experimenta la más mínima sensación de descarga eléctrica, apague inmediatamente la unidad y no la utilice hasta que el problema haya sido identificado y resuelto por personal cualificado.



Todos los usuarios y encargados del mantenimiento del dispositivo deben utilizar guantes aislantes para protegerse del contacto accidental con piezas bajo tensión. Para maximizar la seguridad, es preferible utilizar siempre herramientas aislantes cuando se realicen operaciones de mantenimiento.

1.2. SISTEMAS DE PROTECCIÓN INTEGRADOS EN EL APARATO

PROTECCIÓN TÉRMICA

Todas las unidades SURFOX se apagan automáticamente si se detecta un sobrecalentamiento excesivo en la placa del inversor.

Cuando se activa este sistema de protección, el dispositivo se apaga inmediatamente y no se puede reiniciar hasta que se haya enfriado; una vez que la temperatura ha vuelto a los niveles normales, la unidad reanuda automáticamente el funcionamiento.

Para evitar que la unidad se sobrecaliente, el aire debe fluir libremente a través de los orificios de ventilación. Mantenga un espacio libre mínimo de 20 cm (8") alrededor de la unidad para asegurarse de que todas las aberturas de aire estén libres de cualquier obstrucción.

PROTECCIÓN CONTRA CORTOCIRCUITOS

Todas las unidades SURFOX están equipadas con un sistema incorporado de protección contra cortocircuitos que pueden producirse entre el inserto instalado en la varilla y la pieza de trabajo, en particular cuando las corrientes involucradas son elevadas.

En los raros casos en que esto ocurre, el sistema está diseñado para intervenir automáticamente y terminar el flujo de corriente a la varilla; de esta manera las partes electrónicas del dispositivo quedan salvaguardadas. El funcionamiento del aparato se restablece inmediatamente una vez retirado el electrodo de la pieza.

Si el dispositivo se dispara repetidamente, se recomienda comprobar el desgaste de los consumibles (por ejemplo, las almohadillas) o utilizar tensiones de funcionamiento más bajas.



No desactive ni desvíe los sistemas de protección integrados en el aparato.

1.3. RIESGOS RESIDUALES

Los riesgos derivados del uso de estos dispositivos se reducen significativamente si se siguen tanto las normas de seguridad indicadas en el *capítulo 1.1* como las instrucciones de uso que se muestran en este manual.

No obstante, siguen existiendo riesgos derivados de la elevada temperatura alcanzada por el electrodo, del posible contacto con soluciones electrolíticas y de la posible exposición del operador a humos nocivos generados durante el proceso; por lo tanto, es aconsejable seguir siempre todos los procedimientos de seguridad descritos en este capítulo.

1.4. MEDIDAS DE PRIMEROS AUXILIOS



En caso de exposición accidental a soluciones electrolíticas o humos producidos durante el procesamiento, mantenga la calma y evite cualquier acción involuntaria o perjudicial. Se recomienda seguir los siguientes lineamientos:

- En caso de inhalación de humos de procesado, intente asegurar una entrada de aire fresco en las vías respiratorias y aeree el ambiente circundante cuando sea posible. En caso de molestias posteriores en las vías respiratorias, acuda al médico.
- Si la piel entra en contacto con soluciones ácidas, lávela inmediatamente con agua corriente y jabón; si después de secarla experimenta una irritación persistente de la piel, consulte a un dermatólogo o a un médico.
- En caso de ingestión de soluciones ácidas, NO provocar el vómito. Llame inmediatamente a una ambulancia y, mientras tanto, enjuáguese repetidamente la boca y beba abundante agua.
- Si cierta cantidad de electrolito entra en contacto con los ojos, enjuáguese bien la cara mientras intenta mantener los ojos abiertos. Repita la operación durante al menos 15 minutos, levantando los párpados de vez en cuando. Utilice un lavaojos de emergencia si está disponible. Si es posible, quítese las lentes de contacto y continúe enjuagándose. Si persiste la irritación o molestias visuales posteriores, consultar inmediatamente a un oftalmólogo o médico.

2. CARACTERÍSTICAS DEL DISPOSITIVO

2.1. CAMPOS DE APLICACIÓN

El SURFOX MAX de **WALTER** elimina de forma rápida, sencilla y rentable el tinte térmico de las zonas afectadas por el calor en acero inoxidable y aluminio, al tiempo que pasiva por completo la superficie de acero inoxidable.

El dispositivo está equipado con placas inversoras auto-reguladoras que controlan y ajustan automáticamente la corriente para garantizar la máxima eficacia de limpieza sin pérdida de productividad.

Un proceso electroquímico permite al SURFOX MAX limpiar y pasivar soldaduras en acero inoxidable. Las soluciones electrolíticas SURFOX son a base de ácido fosfórico, aprobadas para la industria alimentaria, y se activan mediante una corriente eléctrica para limpiar las soldaduras. El proceso dura sólo unos segundos sin dañar ni rayar la superficie de las piezas a limpiar.

SU SURFOX MAX PUEDE LIMPIAR:

Soldaduras TIG, Soldaduras por plasma, Soldaduras por láser, Soldaduras por puntos, Soldaduras MIG.



Debe tenerse especial cuidado al utilizar este dispositivo en superficies de acero especialmente delicadas (por ejemplo, AISI 430), ya que pueden formarse halos blancos permanentes durante el proceso. En caso de duda, es una buena práctica realizar primero una prueba en una muestra del mismo tipo de acero. Para más información, póngase en contacto con el **REPRESENTANTE DE SERVICIO AL CLIENTE DE WALTER (walter.com)**.



WALTER no se hace responsable de las pérdidas o daños causados por el dispositivo si se utiliza fuera de los campos de aplicación mencionados anteriormente. Los dispositivos SURFOX están diseñados para aplicaciones industriales, por lo que queda terminantemente prohibido su uso en el hogar.

2.2. FUNDAMENTOS DE LA PASIVACIÓN

La limpieza de las soldaduras no sólo tiene fines estéticos, sino sobre todo de pasivación.

La pasivación es el tratamiento de las superficies de acero inoxidable para eliminar los contaminantes y promover la formación de una capa protectora de óxido de cromo gruesa y duradera.

Esta capa pasiva asegurará la resistencia a la corrosión del acero inoxidable. Si la pasivación no se realiza correctamente, el acero inoxidable y las zonas afectadas por el calor pueden empezar a oxidarse.

2.3. TRANSPORTE Y ALMACENAMIENTO DEL DISPOSITIVO

Para facilitar el transporte, el SURFOX MAX está equipado con un asa en la parte superior. Consulte el *capítulo 13* para obtener información detallada sobre el tamaño y el peso del dispositivo.

Asegúrese de que el interruptor está en la posición OFF antes de conectar o mover la unidad para evitar arranques involuntarios.

El dispositivo debe guardarse en un lugar protegido y sin humedad para salvaguardar sus componentes eléctricos internos. Si la máquina va a almacenarse durante un periodo prolongado, los accesorios de limpieza deben retirarse, neutralizarse, enjuagarse y secarse. El aparato debe embalarse cuidadosamente en un recipiente adecuado y protegerse correctamente, en particular de la exposición a temperaturas bajo cero. Almacene la unidad en un lugar seguro, fuera del alcance de los niños y otras personas no cualificadas.



WALTER no se responsabilizará de los daños derivados de una manipulación brusca.



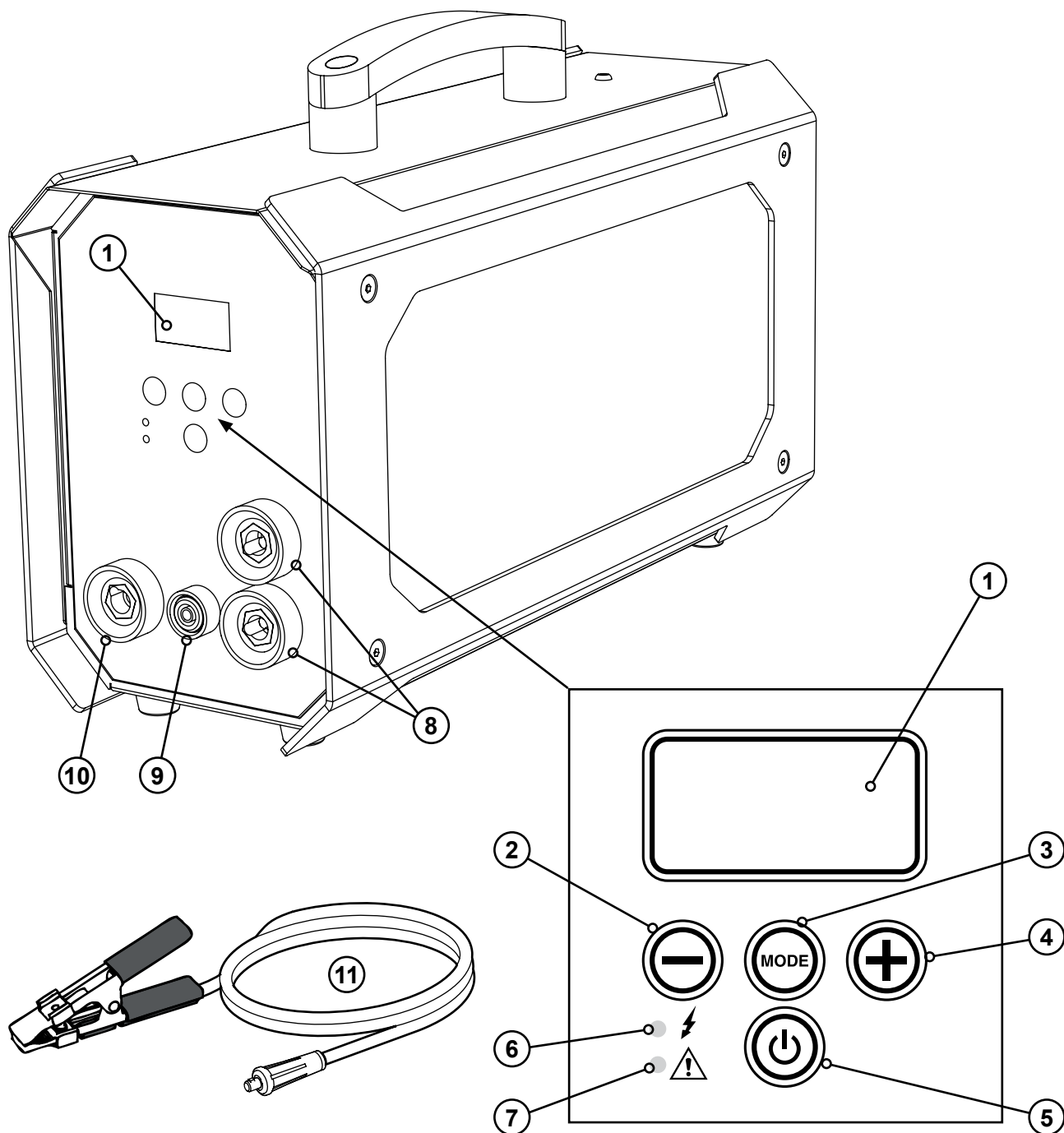
El mango está diseñado exclusivamente para transportar el dispositivo a mano. No lo utilice como punto de enganche para las horquillas de carretillas elevadoras u otra maquinaria de elevación.



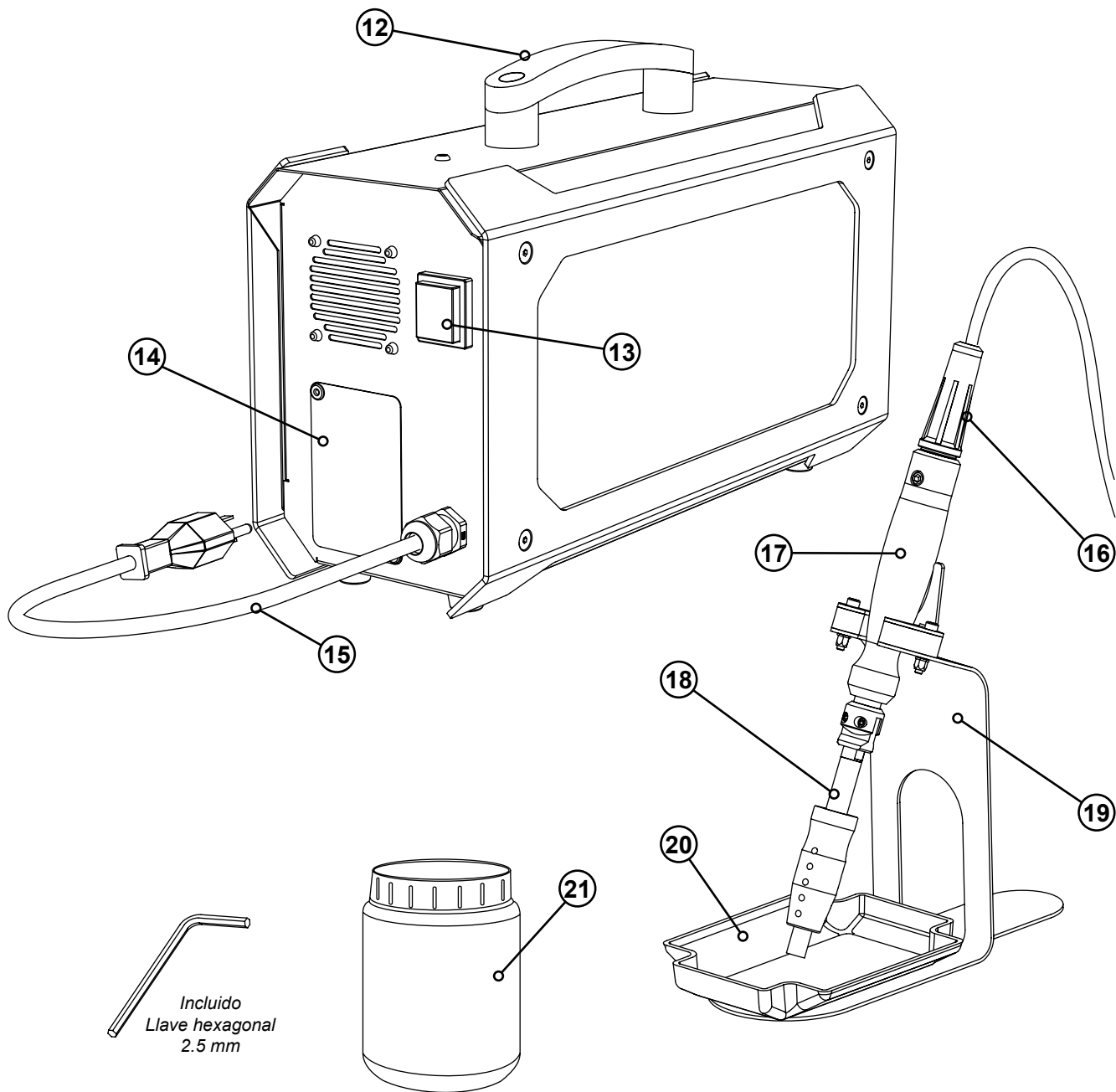
Si es necesario devolver el SURFOX MAX a la Fábrica **WALTER** o al Servicio Técnico Autorizado, siga las instrucciones del *capítulo 12* para preparar y embalar cuidadosamente el envío.

WALTER no se responsabiliza por cualquier pérdida o daño a personas o bienes debido a la fuga de solución electrolítica del depósito durante las operaciones de embalaje y envío a los centros de servicio.

2.4. COMPONENTES DEL DISPOSITIVO



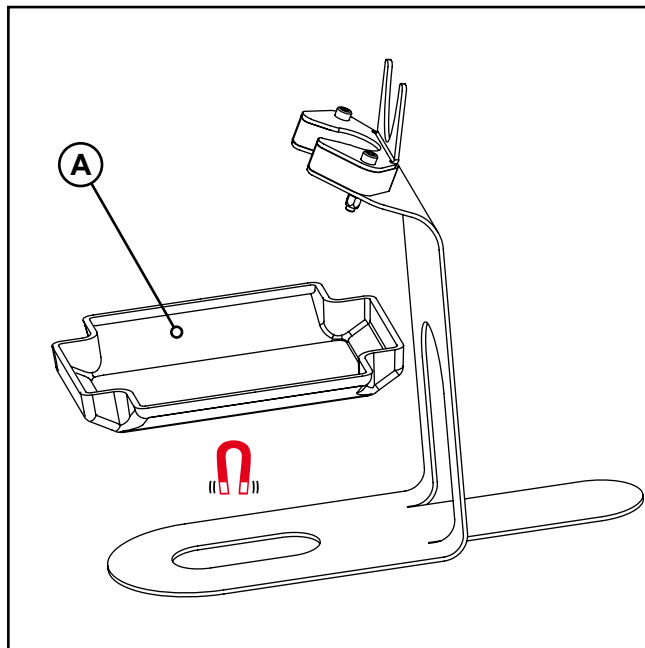
1	Pantalla	7	Alarma LED (roja)
2	Botón de disminución de tensión	8	Enchufes negros para varilla DW
3	Botón MODO	9	Enchufe negro para varilla de marcado/grabado
4	Botón de aumento de tensión	10	Enchufe rojo para cable de tierra
5	Botón de encendido	11	Cable de conexión a tierra
6	Potencia LED (verde)		



12	Mango	18	Cepillo DW
13	Interruptor principal (ON/OFF)	19	Soporte para varilla
14	Placa de características	20	Bandeja colectora
15	Cable de alimentación	21	Jarra plástica
16	Cable de alimentación negro para varilla DW		
17	Varilla DW		

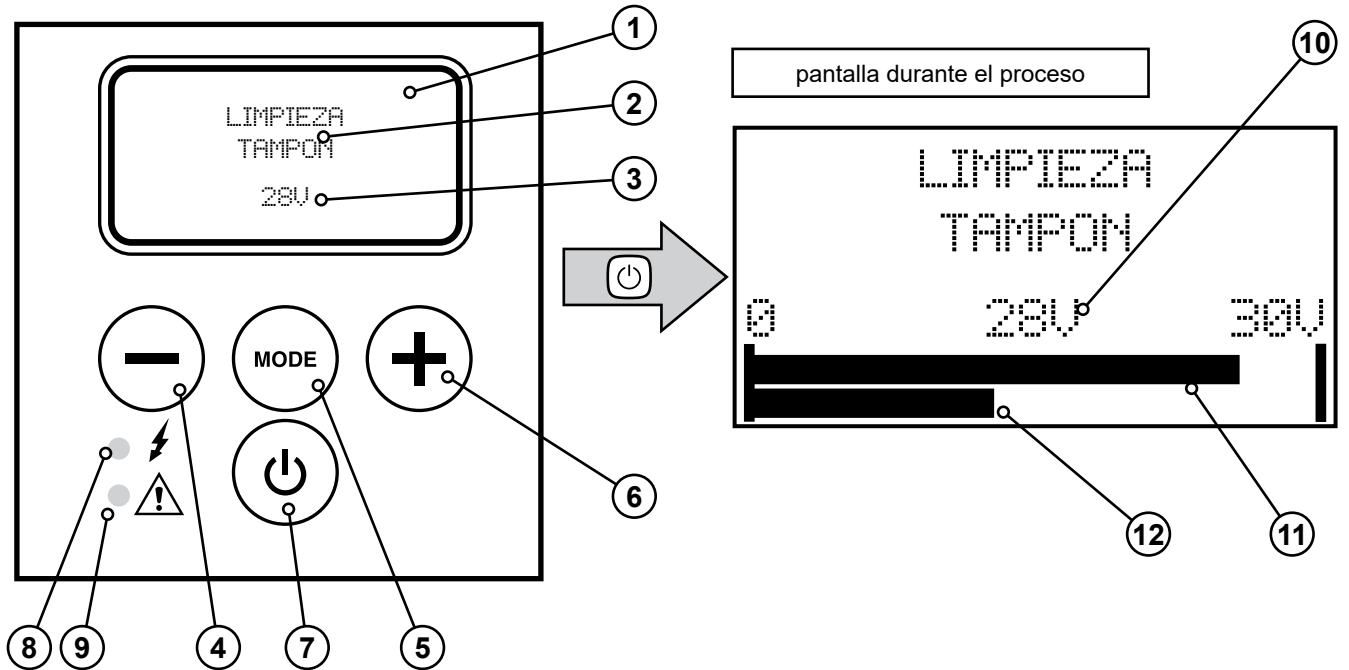
2.5. CÓMO MONTAR EL SOPORTE DE LA VARILLA

- La bandeja colectora (A) está equipada con magnetos y no se necesitan herramientas para encajarla en la ranura de la base.





3. PANEL DE CONTROL

3.1. DESCRIPCIÓN GENERAL



1	Pantalla	8	Potencia LED (verde)
2	Indicador de modo de funcionamiento	9	Alarma LED (roja)
3	Ajustar tensión (V)	10	Ajustar tensión (V)
4	Botón de disminución de tensión	11	Indicador de tensión de salida
5	Botón MODO	12	Indicador de corriente de salida
6	Botón de aumento de tensión		
7	Botón de encendido		

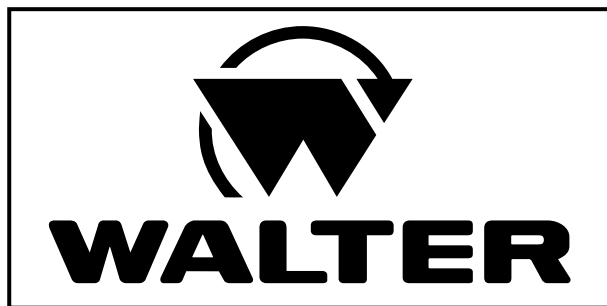
3.2. CAMBIO DEL IDIOMA

- Con el dispositivo encendido, mantenga pulsados los botones – y + al mismo tiempo durante unos segundos.
- El código **0 0 0 0** aparecerá en la pantalla; pulse el botón .
- Seleccione el idioma deseado entre los disponibles (**EN - ES - FR - PT**) usando los botones – y + .
- Pulse el botón  de nuevo para confirmar y volver a la pantalla principal.



Si no se pulsa ningún botón durante 30 segundos durante el proceso de selección del idioma, la unidad vuelve automáticamente a la pantalla principal sin guardar los cambios realizados.

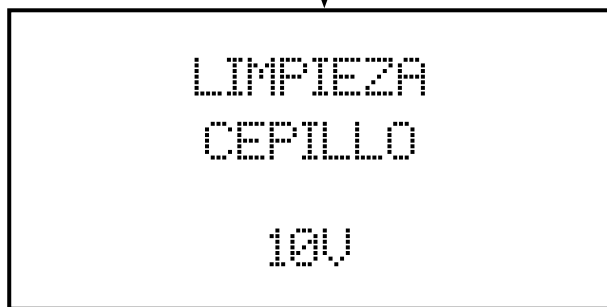
3.3. ESTRUCTURA DEL MENÚ



La pantalla se ilumina cuando el interruptor principal del dispositivo se lleva a la posición "I"; este interruptor, de color verde, se encuentra en la parte frontal del dispositivo (ver capítulo 2.4).

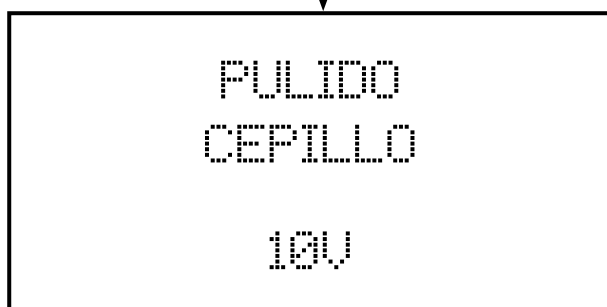
Durante el arranque, aparecen brevemente en la pantalla el logotipo **WALTER** y una pantalla con la información del firmware. A continuación, la unidad pasa al programa LIMPIEZA CEPILLO.

Para cambiar el modo de funcionamiento, pulse el botón **MODO**.



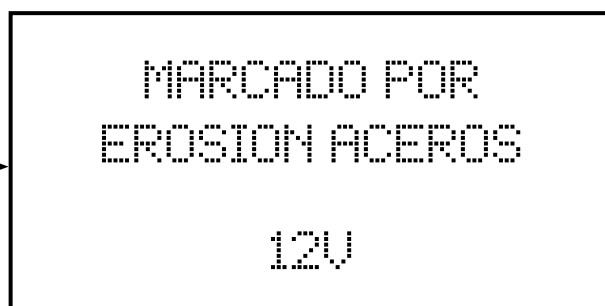
MODO

MODO



MODO

MODO



MODO

MODO

con una pulsación adicional del botón **MODO** se vuelve a iniciar el menú



Independientemente del programa seleccionado, las teclas - y + pueden ser usadas para aumentar o disminuir la tensión de trabajo (en incrementos de 1 voltio).
El nivel de tensión por defecto en los distintos modos de funcionamiento es el recomendado por el fabricante.

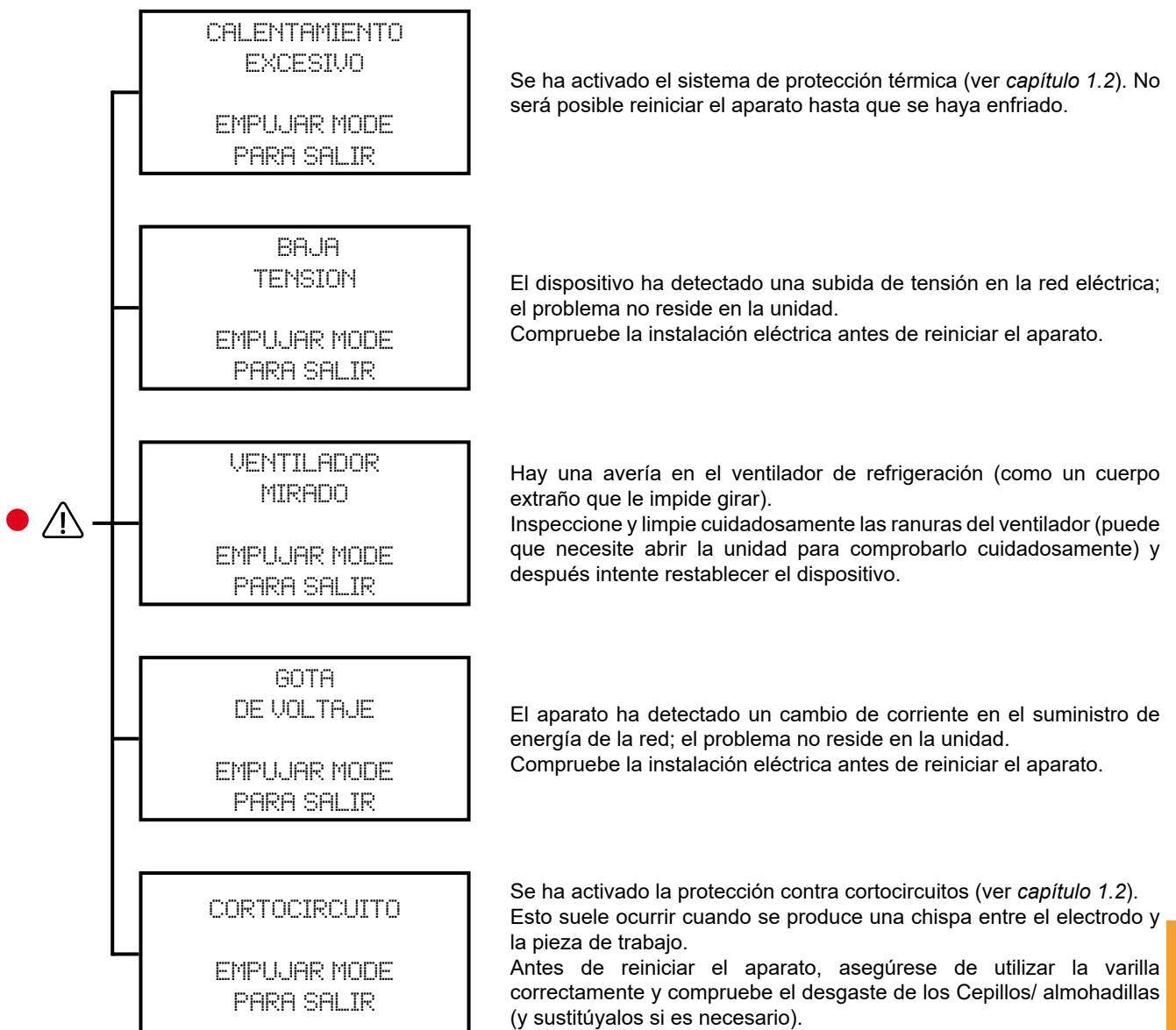
3.4. MENSAJES DE ALARMA

En caso de problemas o averías, el LED de la alarma se enciende (ver capítulo 3.1) y el dispositivo deja de suministrar corriente.

Para ayudar al usuario a identificar más fácilmente el origen del problema, el aparato muestra un mensaje de texto que indica la causa probable de la avería.

Una vez solucionado el problema, pulse el botón **MODO** para reiniciar el aparato y reanudar el trabajo.

Para obtener más ayuda, póngase en contacto con el **Servicio de Atención al Cliente de WALTER** (walter.com).



4. ACCESORIOS DE MONTAJE EN LA VARILLA DW



Durante el montaje de cepillos, insertos y almohadillas, el dispositivo debe estar apagado:

- Coloque el interruptor principal en la posición "O".
- Desconecte el dispositivo de la red eléctrica.



Para su funcionamiento normal, el dispositivo requiere el uso de soluciones ácidas particulares que pueden ser peligrosas (lea el *capítulo 1* cuidadosamente).

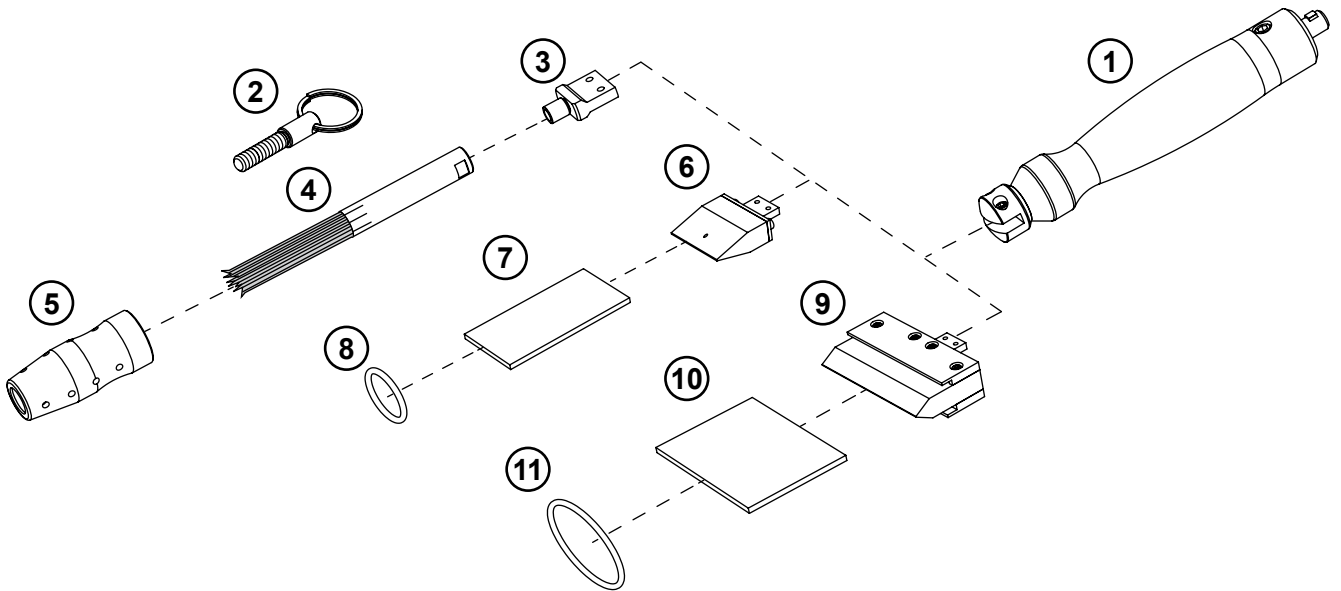
Al sustituir un accesorio de la varilla, **tenga mucho cuidado con los restos de electrolito que puedan quedar en el cepillo o la almohadilla.**



Utilice siempre guantes de protección adecuados para montar/desmontar los accesorios de la varilla con el fin de:

- Reducir el riesgo de contacto directo entre la piel y las soluciones ácidas.
- Obtener un cierto nivel de protección contra las quemaduras si los insertos están aún demasiado calientes.

4.1. RESUMEN DE LOS ACCESORIOS DE LA VARILLA DW



1	54-B 617	Varilla DW	incluido	p. 16
2	54-B 618	Herramienta de extracción del cepillo	incluido	p. 18
3	54-B 149	Adaptador de cepillo	incluido	p. 17
4	54-B 604	Cepillo DW para Surfox MAX	incluido	p. 18
5	54-B 605	Manguito DW	incluido	p. 18
6	54-B 009	Inserto de Grafito 45 mm	opcional	p. 19
7	54-B 043	Almohadilla de limpieza SURFOX para inserto de grafito 45 mm	opcional	p. 19
8	54-B 180	Junta tórica 30 x 3.5	opcional	p. 19
9	54-B 607	Inserto de Grafito 100 mm	opcional	p. 20
10	54-B 608	Almohadilla de limpieza SURFOX para inserto de grafito 100 mm	opcional	p. 20
11	54-B 609	Junta tórica para inserto de grafito 100 mm	opcional	p. 20

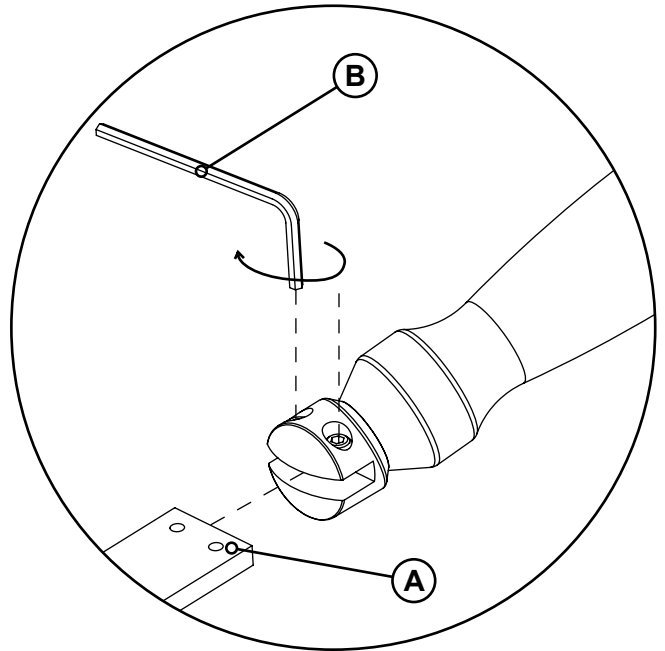
El Servicio de Atención al Cliente de WALTER (walter.com) está a su disposición para cualquier información adicional.

4.2. INSTALACIÓN DEL ADAPTADOR DEL CEPILLO / INSERTO



Al instalar el adaptador o los insertos, la varilla DW no debe estar conectada al dispositivo.

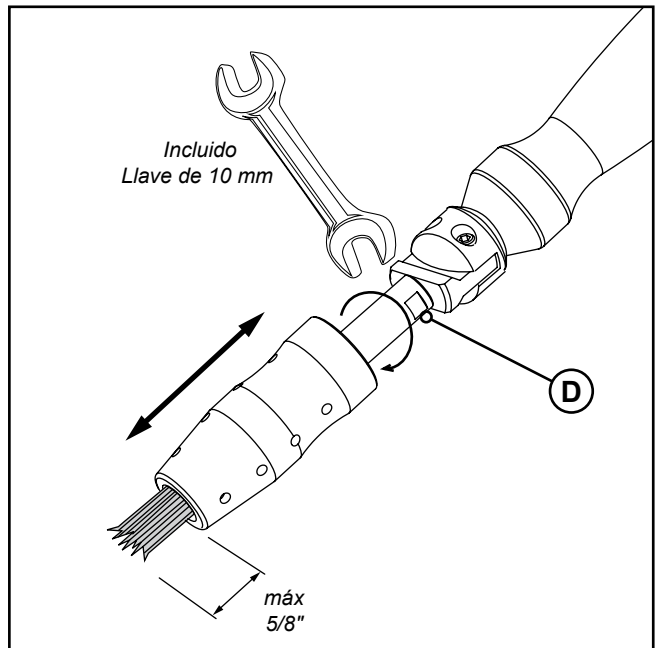
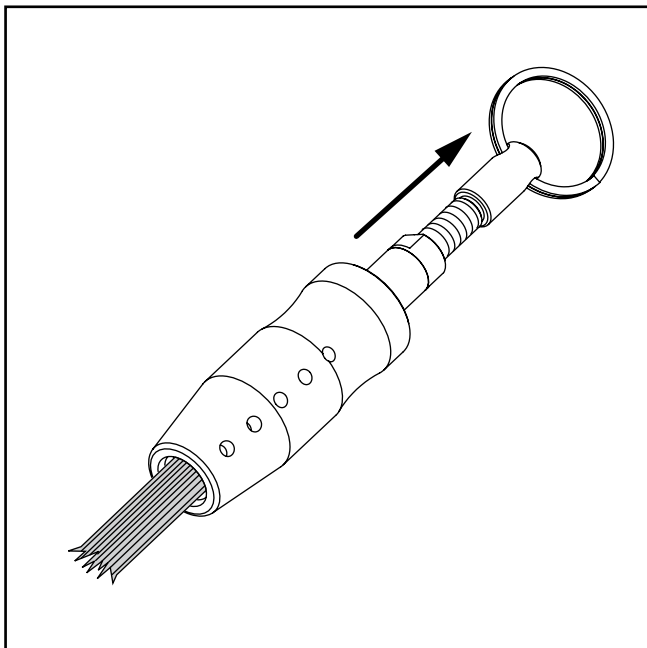
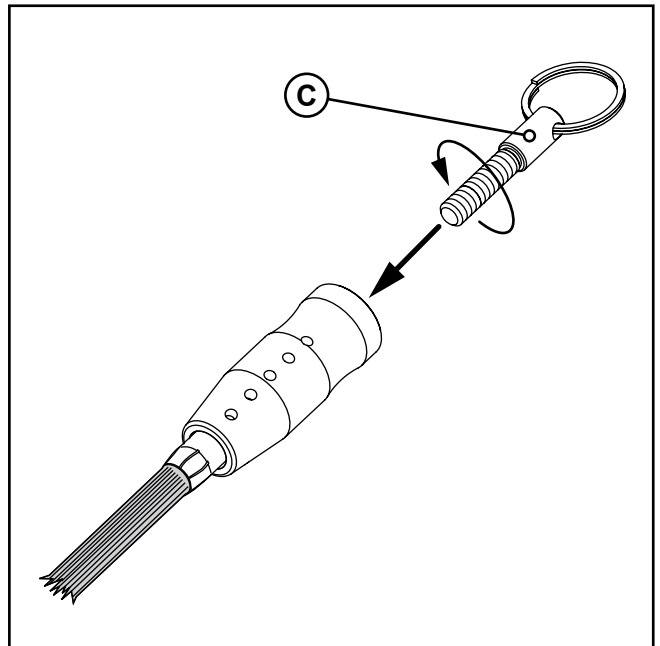
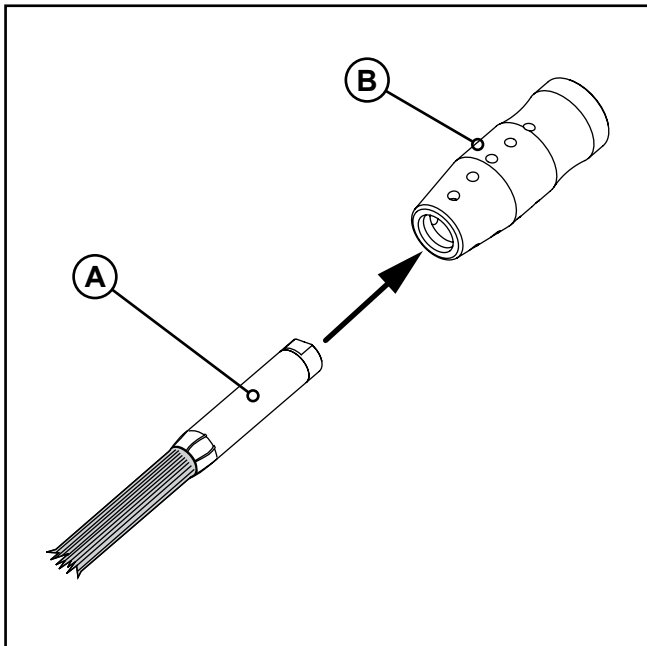
- Tome el adaptador de cepillo **54-B 149** o el inserto deseado.
- En la parte posterior del adaptador (o inserto) se encuentran los dos avellanados (A) donde se apretarán los tornillos de fijación del acoplamiento de la DW varilla.
- Coloque el inserto (o adaptador) en el acoplamiento de la varilla DW y apriete los dos tornillos de ajuste con una llave hexagonal de 2.5 mm (B) (incluida); asegúrese de que los tornillos prisioneros están correctamente alineados con los avellanados (A).



4.3. MONTAJE DEL CEPILLO DW



Cuando instale los cepillos, la varilla DW no debe estar conectada al dispositivo.

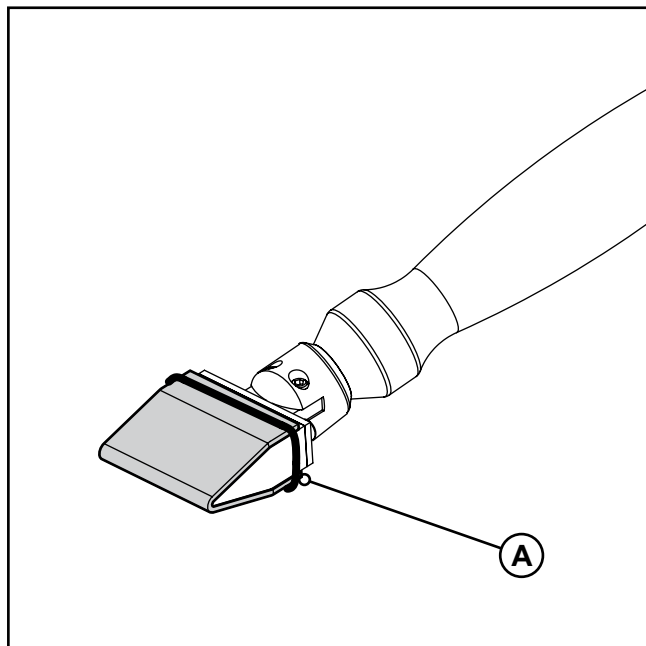
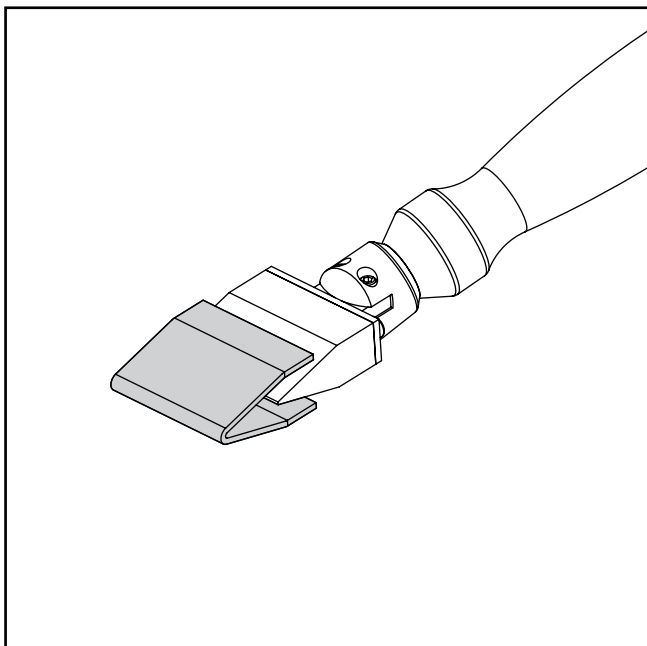


- Instale el adaptador del cepillo **54-B 149** en la varilla DW (ver capítulo 4.2).
- Inserte el cepillo DW **54-B 604** (A) dentro del manguito **54-B 605** (B).
- Enrosque el acoplamiento roscado de la herramienta de extracción **54-B 618** (C) en el cepillo.
- Saque el cepillo del manguito.
- Retire la herramienta de extracción
- Utilice la llave de 10 mm (incluida) para apretar firmemente el cepillo en la rosca del adaptador. El segmento de acoplamiento del cepillo (D) para facilitar el agarre con la llave.
- Asegúrese de que no queden expuestos más de 15 mm (5/8") de fibra de carbono.

4.4. ALMOHADILLA DE MONTAJE EN EL INSERTO DE GRAFITO 45 mm



Cuando instale las almohadillas, la varilla DW no debe estar conectada al dispositivo.

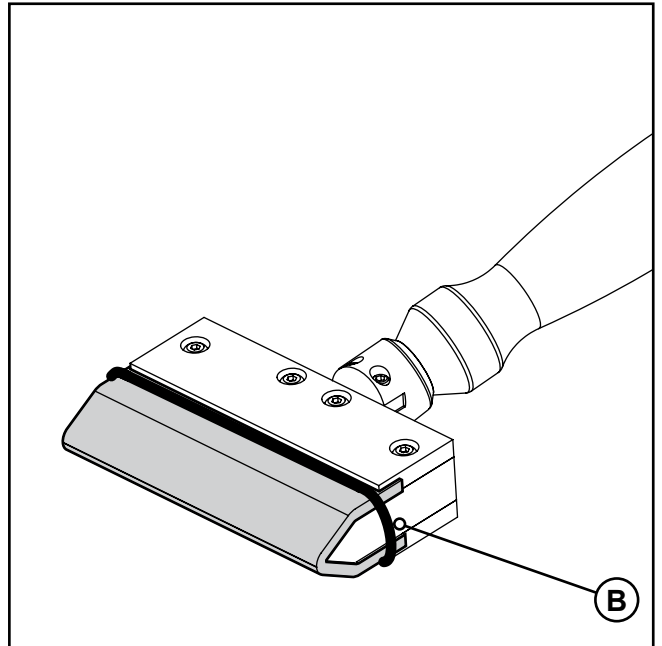
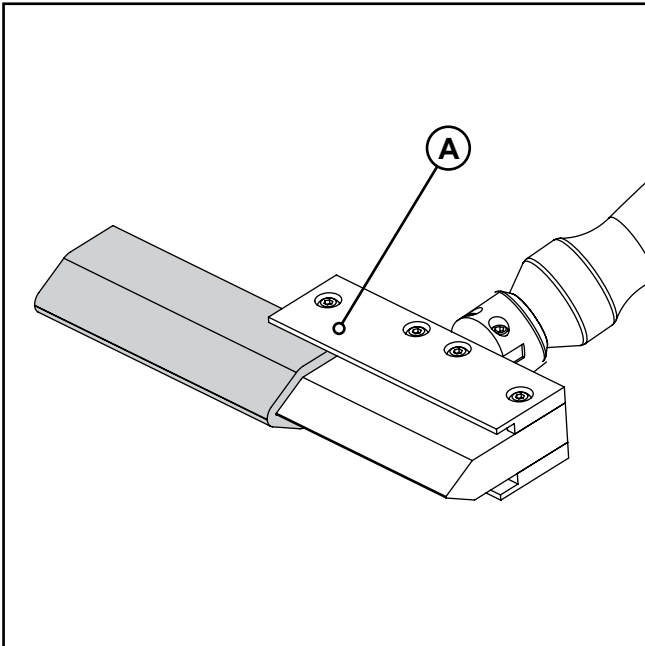


- Instale el inserto **54-B 009** en la varilla DW (ver *capítulo 4.2*).
- Doble la almohadilla **54-B 043** en forma de "U" y péguela al electrodo.
- Fije la almohadilla **54-B 180** con la junta tórica (A).

4.5. ALMOHADILLA DE MONTAJE EN EL INSERTO DE GRAFITO 100 mm



Cuando instale las almohadillas, la varilla DW no debe estar conectada al dispositivo.



- Instale el inserto **54-B 607** en la varilla DW (ver *capítulo 4.2*).
- Doble la almohadilla **54-B 608** en forma de "U" e introdúzcala en las aletas con ranuras (A) del electrodo.
- Fije la almohadilla en su lugar con junta tórica **54-B 609** (B).

5. ANTES DE LA PUESTA EN MARCHA DEL DISPOSITIVO

5.1. PRECAUCIONES PARA EL USO DEL DISPOSITIVO

Para evitar daños en el dispositivo, compruebe que:

- La tensión de red corresponde a la soportada por la unidad (como se especifica en los datos técnicos y en la placa de características).
- La superficie a tratar está conectada a tierra con un cable de grosor adecuado.
- Todas las tomas, conectores y cables utilizados con el aparato estén en buen estado de funcionamiento.
- El sistema eléctrico al que está conectada la unidad está equipado con dispositivos de protección contra cortocircuitos y picos de corriente. Estos sistemas de seguridad deben estar plenamente operativos.
- La estación de trabajo donde se utilice el dispositivo debe mantenerse siempre limpia y ordenada.
- Después del procesamiento o durante las pausas, se desactiva la pinza de puesta a tierra de la pieza o de la superficie de trabajo.

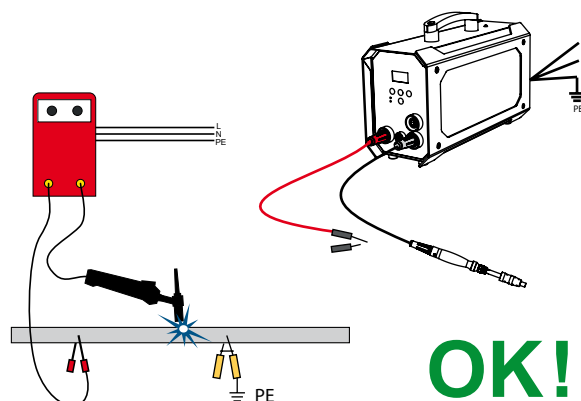
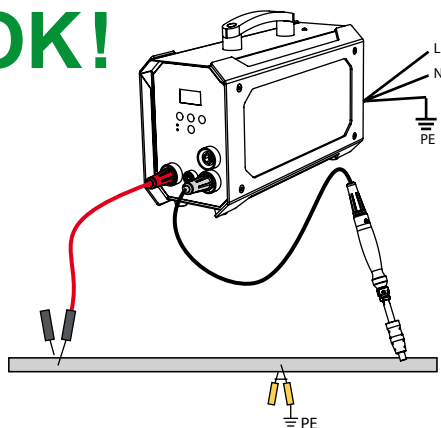
En entornos de trabajo en los que haya estaciones de soldadura y de decapado:

- No soldar y limpiar/pulir la misma pieza de trabajo al mismo tiempo.
- Desconecte el cable de tierra del dispositivo durante cualquier operación de soldadura.

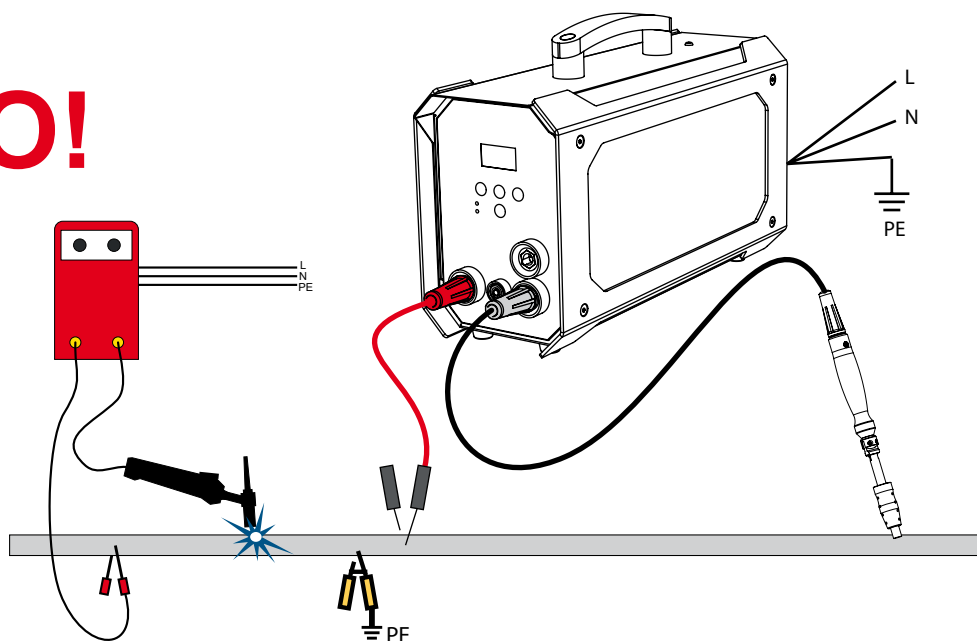


Si el operador utiliza una máquina de soldar mientras ambos cables de toma de tierra están conectados a la superficie que se está procesando, los componentes eléctricos del dispositivo pueden resultar dañados aunque el soplete de soldadura no entre en contacto con la pieza de trabajo. En particular, los componentes internos del dispositivo podrían verse sometidos a una alta tensión de hasta 100 V.

OK!



¡NO!

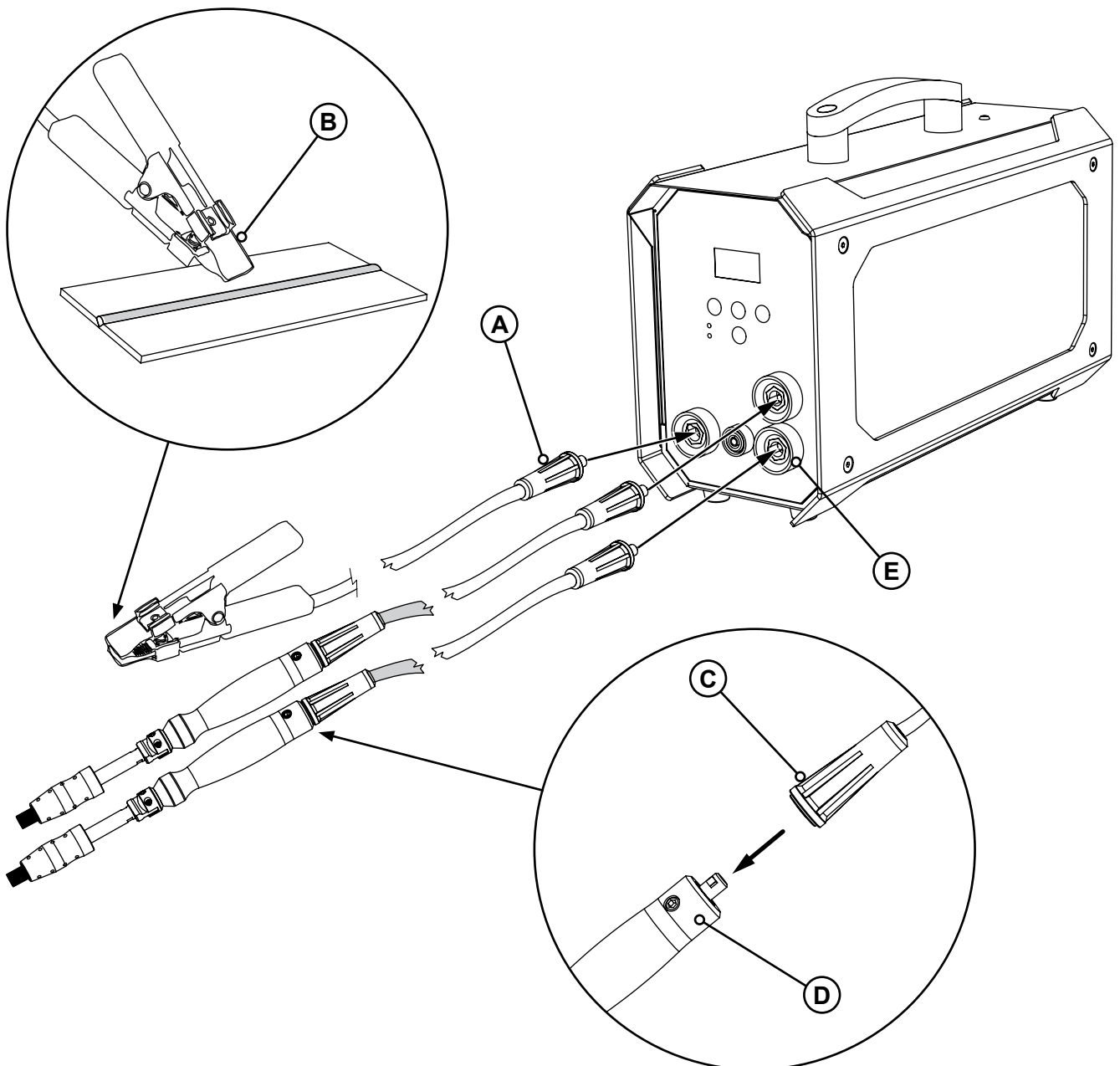


5.2. INSTALACIÓN ELÉCTRICA



Asegúrese de haber leído y comprobado todas las notas de precaución del *capítulo 5.1*.

- Prepare la varilla DW instalando el accesorio más adecuado para el tipo de trabajo a realizar (véase el *capítulo 4*).
- Acople el conector del cable de tierra (A) a la toma roja situada en el panel frontal de la unidad.
- Utilice el terminal de cocodrilo del cable de tierra (B) para sujetar la pieza de acero inoxidable a tratar.
- Utilice el cable suministrado para realizar la instalación eléctrica de la varilla DW; conecte el conector hembra (C) a la varilla DW (D) e inserte el conector macho en una de las tomas designadas en el panel frontal de la unidad (E).
- **El SURFOX MAX puede operar con dos varillas al mismo tiempo.** Cuando utilice una sola varilla, elija indistintamente una u otra toma.
- Conecte el cable de alimentación del dispositivo a una toma de corriente adecuada.



6. LIMPIEZA Y PULIDO DE SOLDADURAS

6.1. INICIO DEL PROCESO

Antes de empezar a decapar / pulir una pieza de acero inoxidable, compruebe que todas las operaciones preliminares descritas en el *capítulo 5* se hayan realizado correctamente.

Para su normal funcionamiento, el dispositivo requiere el uso de soluciones electrolíticas especiales. Es muy importante elegir el líquido más adecuado para el tipo de tratamiento a realizar:

- **SURFOX-T**, una solución de limpieza de alta resistencia adecuada tanto para decapado como para pulido.
- **SURFOX-G**, una solución de limpieza de pH neutro adecuada sólo para el decapado.

Consulte siempre la ficha técnica del producto para obtener indicaciones detalladas sobre su campo de aplicación.

El Servicio de Atención al Cliente de WALTER (walter.com) está a su disposición para cualquier información adicional.




Las soluciones ácidas son peligrosas y pueden causar daños personales y materiales: lea atentamente el *capítulo 1* sobre las normas de seguridad y los equipos de protección individual que deben utilizarse al trabajar con estas sustancias.

- Vierta la solución electrolítica en la jarra incluida o en un recipiente de plástico lo suficientemente grande como para que quepa el inserto o el cepillo.
- Sumerja completamente el inserto con almohadilla o el cepillo en el recipiente.

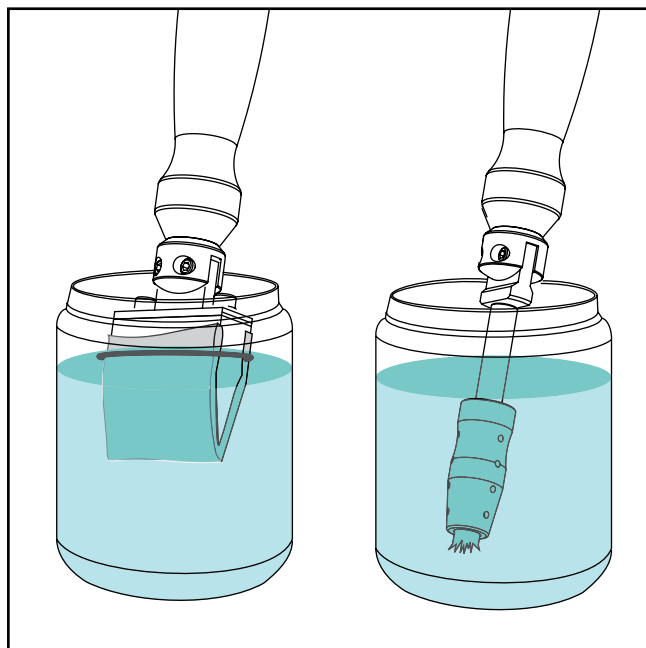


Es importante mantener los electrodos siempre bien mojados para evitar que se sobrecalienten.

- Encienda el dispositivo girando el interruptor principal (situado en el panel frontal de la unidad) a la posición "I".
- Seleccione el modo de funcionamiento deseado pulsando el botón **MODO** del panel de control (ver *capítulo 3.3* para más información).
- Pulse el botón  en el panel de control para iniciar el dispositivo.



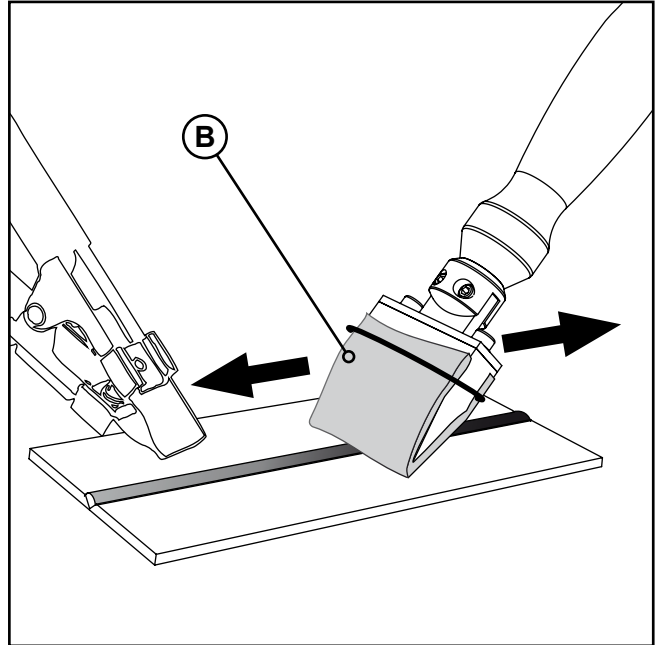
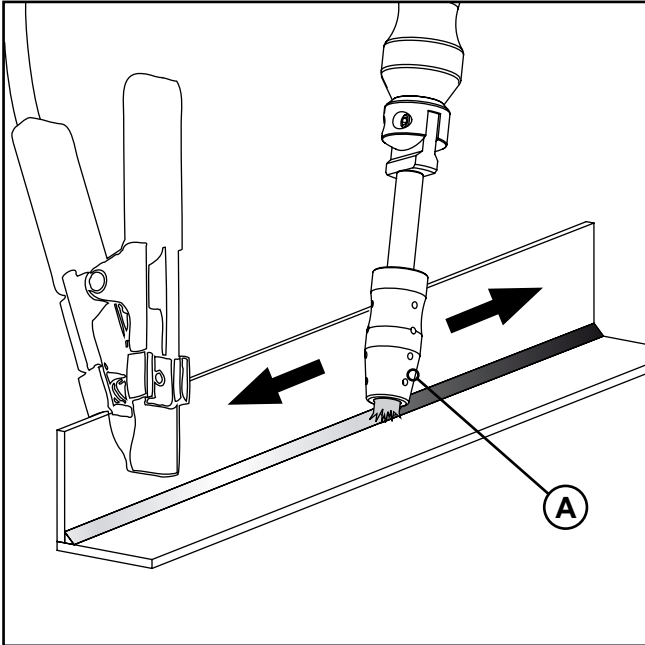
Una vez puesto en marcha, el aparato se apaga automáticamente tras unos 30 segundos de inactividad. Se trata de una medida de precaución para evitar que la varilla se encienda accidentalmente al final del proceso.



UTILIZACIÓN DE LOS INDICADORES DE LA PANTALLA

Durante el procesamiento, en la pantalla aparecen indicadores de barras que muestran en tiempo real la tensión y la corriente suministradas por dispositivo (consultar el *capítulo 3.1*). Cuando no se toca la pieza de trabajo, no pasa corriente por la varilla y la tensión se mantiene a la mitad de la tensión ajustada. La tensión sólo empieza a subir gradualmente cuando se inicia realmente el trabajo, minimizando así la probabilidad de que se produzcan arcos o chispas en el punto de contacto entre el cepillo/inserto y la soldadura que se va a limpiar/pulir.

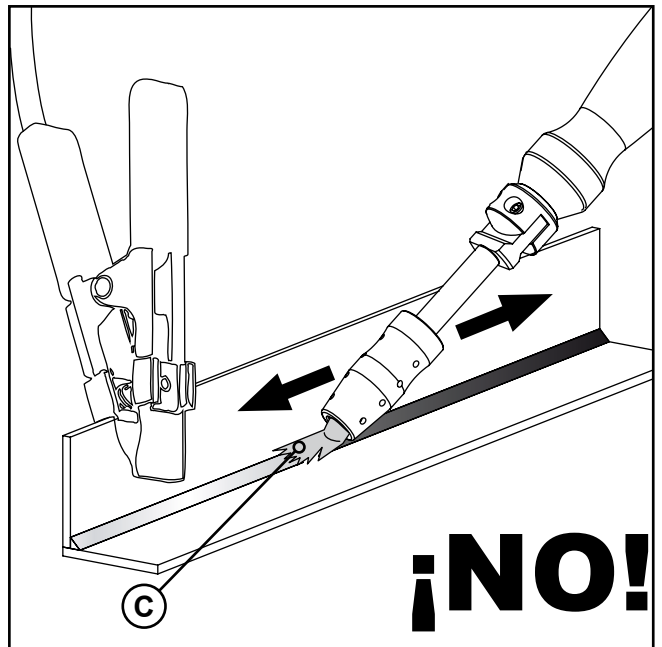
- Comience la limpieza/pulido colocando el cepillo/inserto sobre la pieza de trabajo de acero inoxidable.
- Pasar el cepillo/almohadilla sobre la soldadura aplicando una ligera presión y continuar el proceso hasta eliminar por completo todo signo de oxidación. Durante el proceso pueden formarse chispas y espuma en el punto de contacto entre el cepillo/esponja y la soldadura. Esto es perfectamente normal.
- Si es necesario, utilice los botones – y + del panel de control para ajustar la tensión de salida y obtener mejores resultados (si cambia de modo de funcionamiento, la tensión vuelve al nivel predeterminado preestablecido por el fabricante).




- El cepillo DW (A) es adecuado para soldaduras de difícil acceso mientras que la almohadilla de 100 mm o 45 mm (B) es especialmente adecuada para soldaduras de gran tamaño.



- El proceso de pulido requiere una mayor cantidad de solución electrolítica que el decapado.
- Mantenga siempre el cepillo/almohadilla bien humedecido con la solución electrolítica para evitar el sobrecalentamiento y la consiguiente reducción significativa de su vida útil; si hay signos evidentes de desgaste, sustituya el componente inmediatamente.
- Si se aumenta la tensión durante el proceso, la solución electrolítica se evapora más rápidamente; asegúrese de que el cepillo o la almohadilla estén siempre húmedos.
- Nunca utilice un inserto sin su almohadilla correspondiente; el inserto nunca debe colocarse en contacto directo con la pieza de trabajo de acero.
- Al realizar la limpieza/pulido, mantenga el cepillo perpendicular a la soldadura y nunca presione excesivamente las cerdas de carbono contra la superficie a tratar (C).
- Para obtener mejores resultados, ajuste periódicamente el manguito de PTFE del cepillo para dejar expuesta aproximadamente 5/8" (15 mm) de fibra de carbono.



6.2. DESPUÉS DEL PROCESO

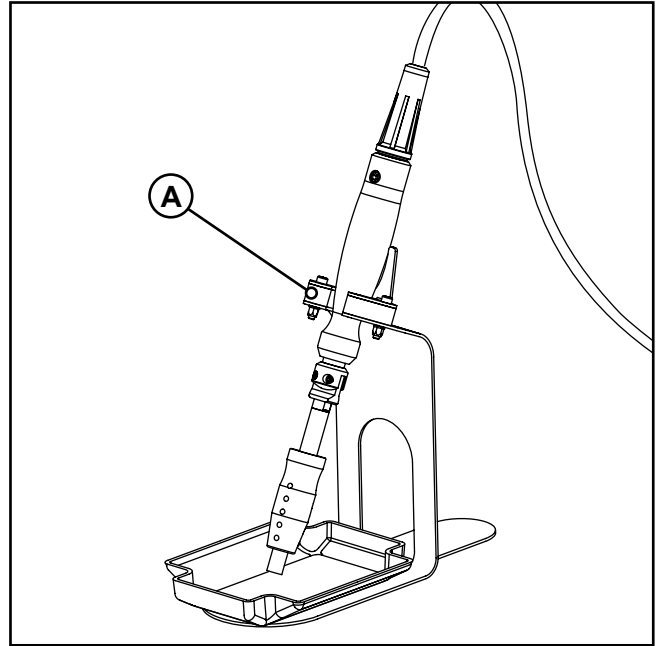
- Pulse el botón  del panel de control para detener el suministro de corriente a la varilla DW.
- Vuelva a poner la varilla en su soporte (A).



Al final del proceso, guarde siempre la DW varilla y los demás accesorios de forma adecuada.

Nunca coloque la varilla encima del aparato durante las pausas o al final del procesamiento, ya que la solución electrolítica podría gotear del cepillo/almohadilla humedecido y penetrar en el interior del aparato. Utilice siempre el soporte adecuado y vacíe la bandeja de recogida cuando sea necesario.

En cualquier caso, el aparato debe mantenerse lo más limpio posible.



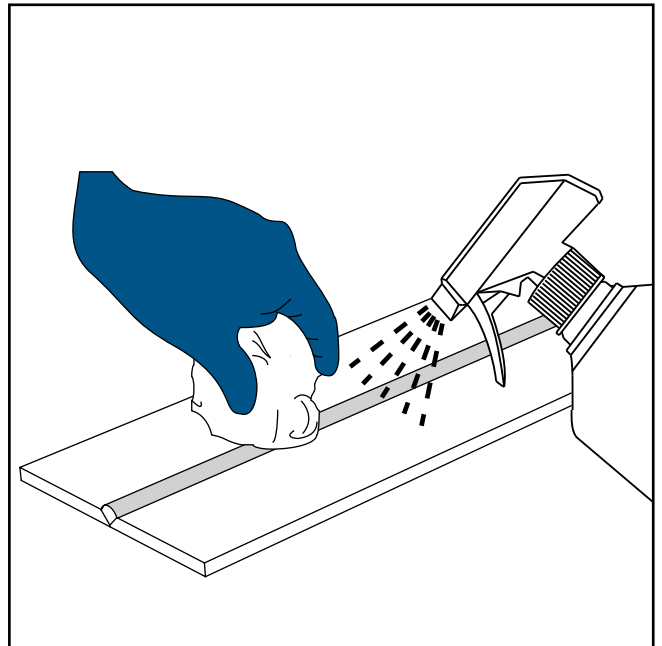
- Desconecte la pinza de cocodrilo del cable de tierra de la pieza mecanizada.
- Limpie el exceso de solución electrolítica con un paño de microfibra **54-B 090**.
- Aplicar la solución SURFOX-N sobre la pieza tratada.



Es muy importante pulverizar la solución SURFOX-N sobre la pieza de trabajo; este producto neutraliza cualquier electrolito residual, evitando así la formación de halos y manchas blancas (que sólo pueden eliminarse repitiendo todo el proceso).

Como alternativa, se puede limpiar la superficie con un chorro abundante de agua.

- Frotar la superficie con un paño de microfibra **57-M 001**.
- Secar la superficie con un paño de microfibra seco.



6.3. APAGADO

- Apague el aparato girando el interruptor principal a la posición "O".
- Desconecte el enchufe del aparato de la toma de corriente.
- Realice el mantenimiento rutinario del aparato tal y como se describe en el *capítulo 8.1*.
- Para limitar cualquier impacto medioambiental, la almohadilla y los líquidos usados deben eliminarse siempre de acuerdo con la normativa vigente sobre eliminación de residuos (consulte el *capítulo 9* para información adicional).

7. MARCADO/GRABADO (OPCIONAL)

Gracias al Kit Estándar de marcado/grabado electroquímico **54-B 080** y a las plantillas de serigrafía (ambas opcionales), SURFOX MAX puede utilizarse para marcar acero inoxidable; con esta función puede imprimir al instante cualquier logotipo en acero inoxidable.

El marcado/grabado electroquímico utiliza el principio de electrólisis mediante **líquidos neutros que no son irritantes ni corrosivos**.

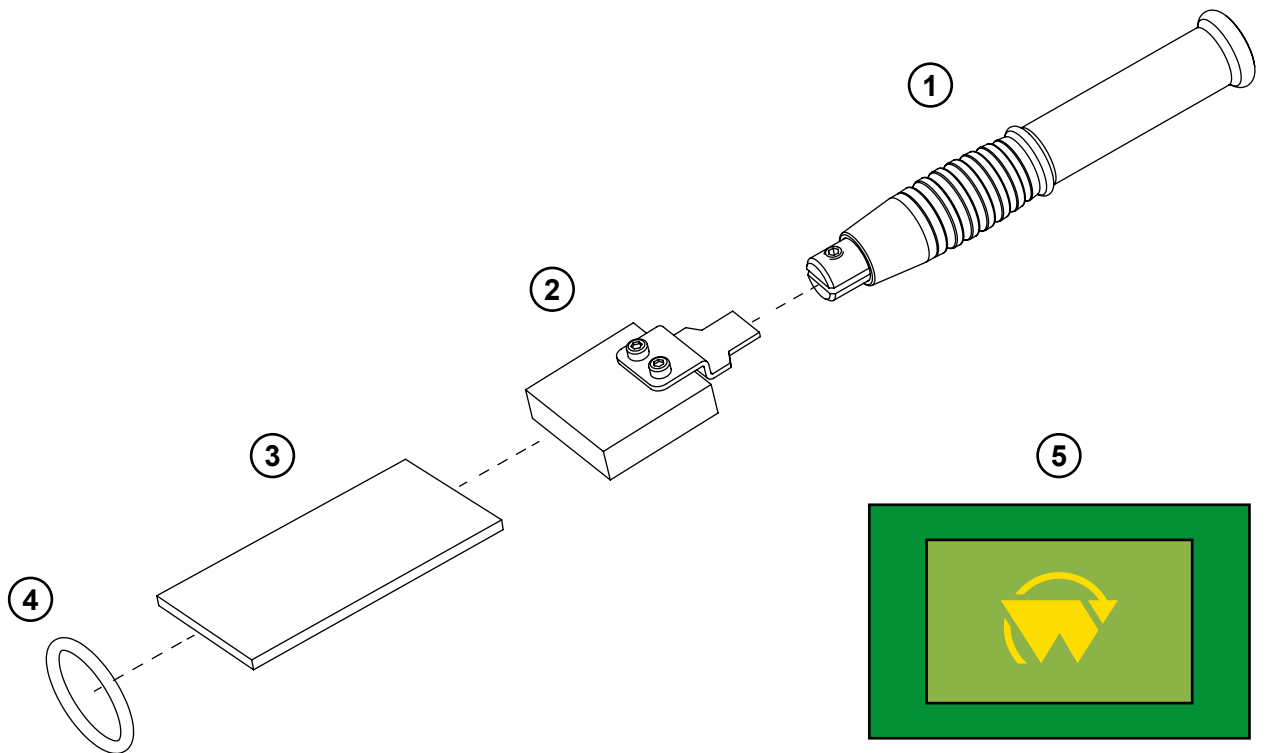
Las dimensiones estándar de una pantalla de serigrafía oscilan entre un mínimo de 25x15 mm y un máximo de 257x170 mm. Si se utiliza correctamente, la pantalla puede utilizarse para unas 500 marcas sin tener que sustituirla. No obstante, la duración de las pantallas también depende de otros factores importantes, como su tamaño o la densidad del fondo que compone los gráficos.

WALTER también le ofrece la posibilidad de adquirir el Pro Marking Kit **54-B 081** (compatible sólo para PC) para fabricar plantillas desechables especialmente indicadas para marcar números de serie, logotipos y placas CE



Utilice únicamente kits de marcado y pantallas originales. Los productos no certificados, como soluciones electrolíticas inadecuadas o insertos y almohadillas de marcado no diseñados específicamente para esta función, podrían causar daños permanentes tanto en el dispositivo como en la pieza de trabajo. Para adquirir los kits de marcado, las pantallas de serigrafía personalizadas o la impresora, póngase en contacto con la **División Gráfica WALTER** (walter.com).

7.1. RESUMEN DE LOS ACCESORIOS DE LA VARILLA DE MARCADO/GRABADO



1	54-B 200	Varilla de marcado/grabado	opcional	p. 26
2	54-B 088	Inserto de grafito de marcado 35 x 10 mm	opcional	p. 27
3	54-B 083	Almohadilla de marcado para inserto de grafito 35 x 10 mm	opcional	p. 27
4	54-B 089	Junta tórica para inserto de grafito 35 x 10 mm	opcional	p. 27
5	-	Plantillade serigrafía	opcional	p. 26

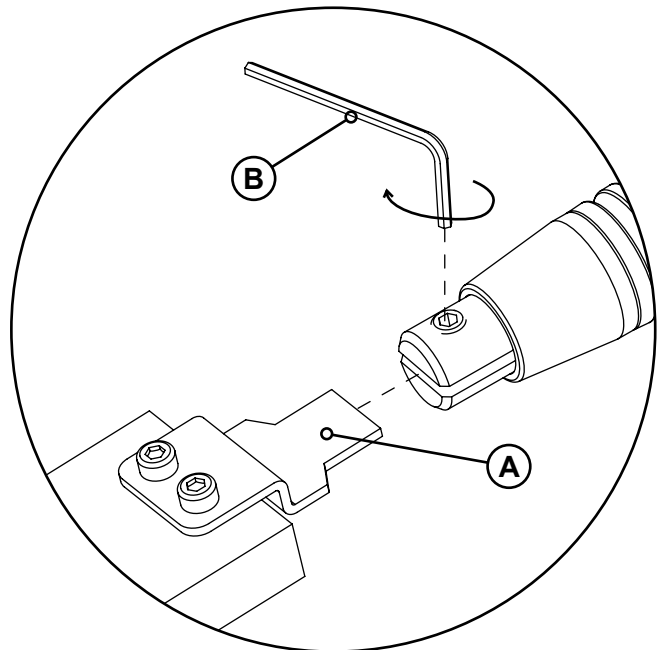
El Servicio de Atención al Cliente de WALTER (walter.com) está a su disposición para cualquier información adicional.

7.2. INSTALACIÓN DEL INSERTO DE MARCADO



Al instalar los insertos, la varilla de marcado/grabado no debe estar conectada al dispositivo.

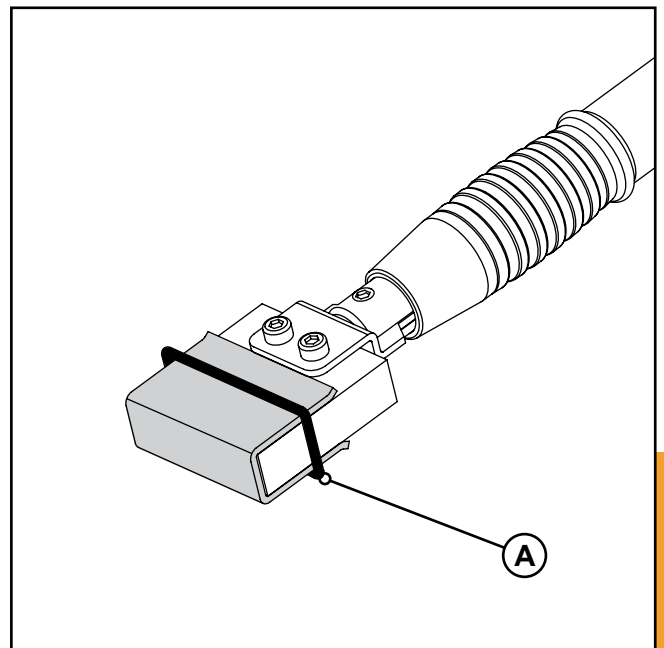
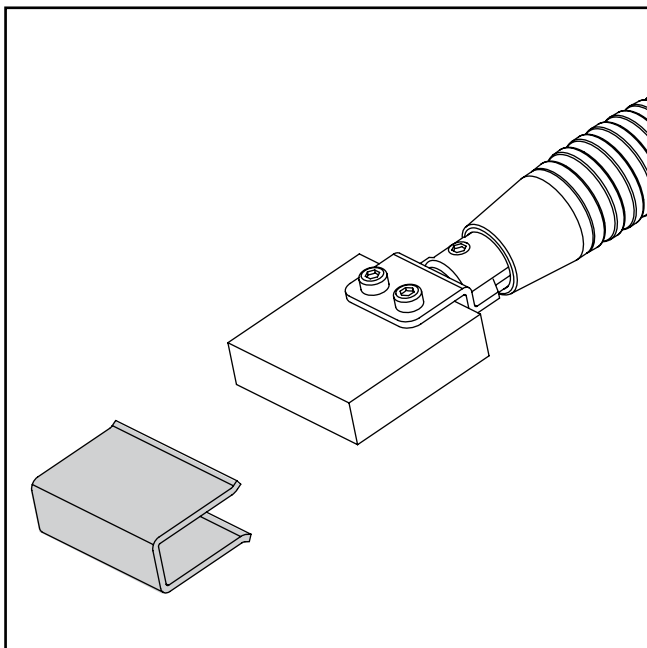
- Tome el inserto de marcado **54-B 088**.
- Inserte la pestaña de acoplamiento (A) en la ranura correspondiente de la varilla de marcado/grabado.
- Apriete el tornillo de fijación con una llave hexagonal de 2.5 mm (B).



7.3. MONTAJE DE UNA ALMOHADILLA EN EL INSERTO DE MARCADO



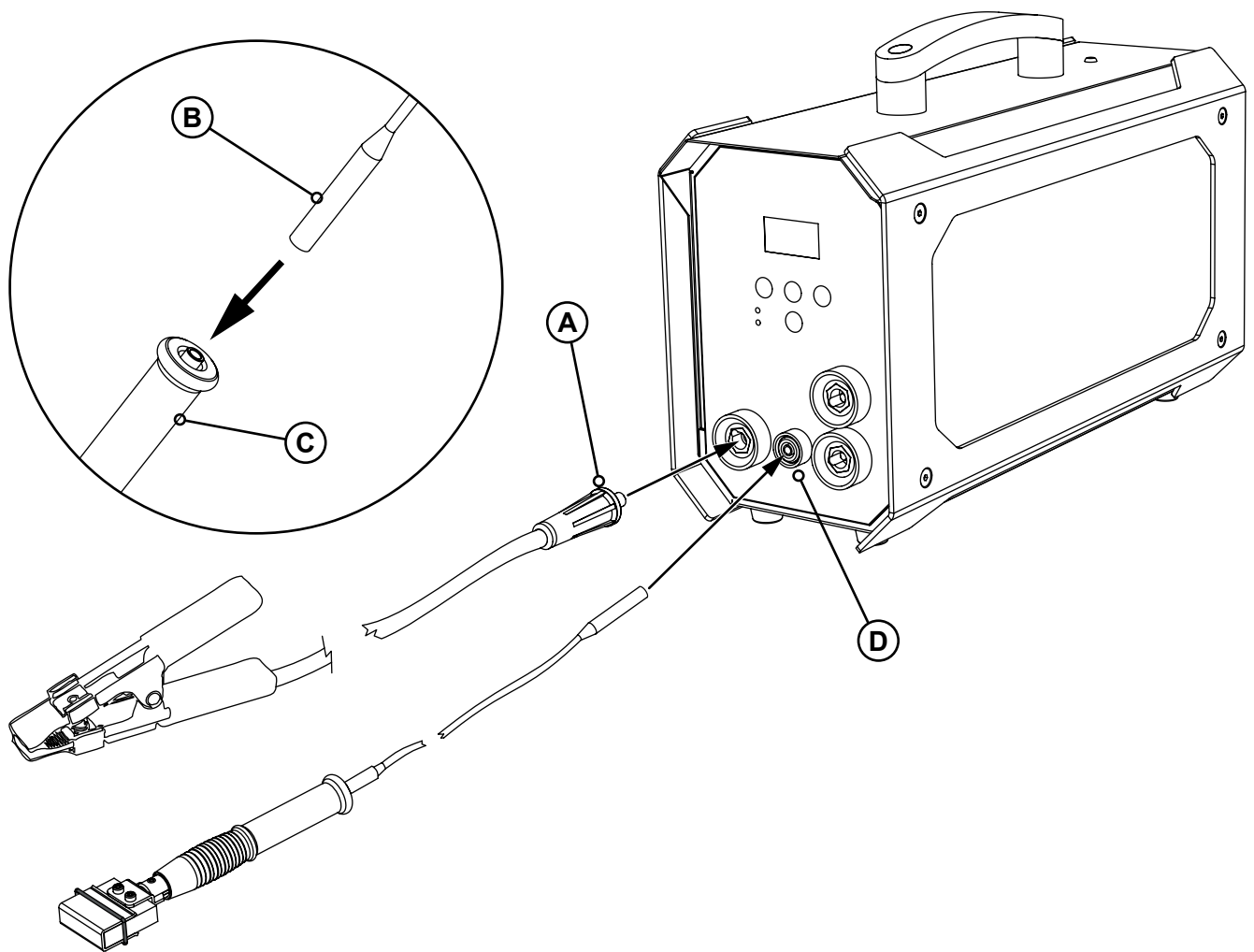
Al instalar la almohadilla, la varilla de marcado/grabado no debe estar conectada al dispositivo.



- Instale el inserto **54-B 088** en la varilla de marcado/grabado (ver capítulo 7.2).
- Doble la almohadilla **54-B 083** en forma de "U" y péguela al electrodo.
- Fije la almohadilla en su lugar con junta tórica **54-B 089** (A).

7.4. INSTALACIÓN ELÉCTRICA

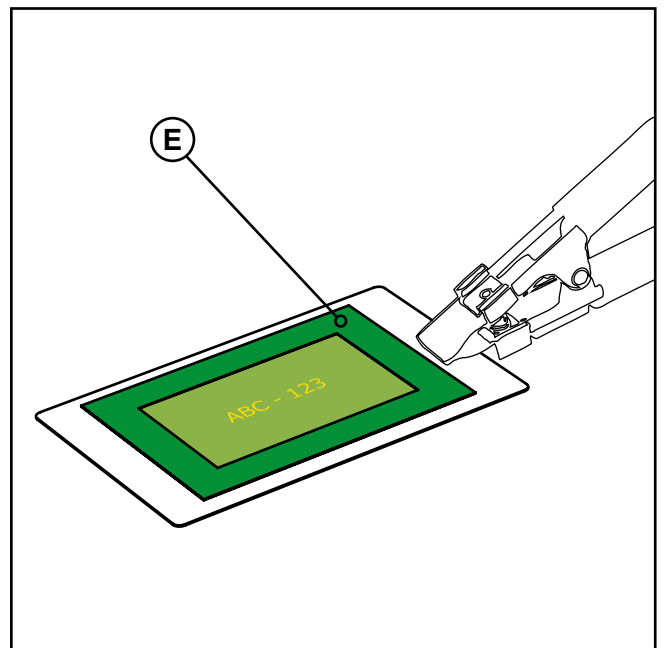
- Conecte el conector del cable de tierra (A) a la toma roja del panel frontal de la unidad.
- Use el cable de conexión (B) para realizar la instalación eléctrica de la varilla de marcado/grabado; conecte un extremo al acoplamiento apropiado de la varilla (C) y el otro en la toma designada en el panel frontal del dispositivo. (D).



- Coloque la pantalla de serigrafía (E) sobre la pieza a marcar/grabar y compruebe que todas las operaciones preliminares descritas en el capítulo 5 se hayan realizado correctamente. En particular, asegúrese de que la pinza de cocodrilo del cable de tierra se ha fijado a la pieza de acero inoxidable que se va a tratar.



Antes de utilizar una nueva pantalla de serigrafía, se recomienda utilizarla sobre una superficie de muestra para realizar algunas marcas de prueba con el fin de abrir completamente sus mallas y obtener una imagen óptima.




7.5. INICIO DEL PROCESO

- Seleccione líquido más adecuado según el tipo de marcaje a realizar:
 - ◊ **SURFOX-M**, para marcar; el resultado será una marca oscura y de alto contraste en la pieza de trabajo.
 - ◊ **SURFOX-E**, para grabar; el resultado será una marca clara y de poco contraste en la pieza debido al principio de erosión por chispas.
- Verter unas gotas de solución electrolítica (A) sobre la almohadilla de marcado.



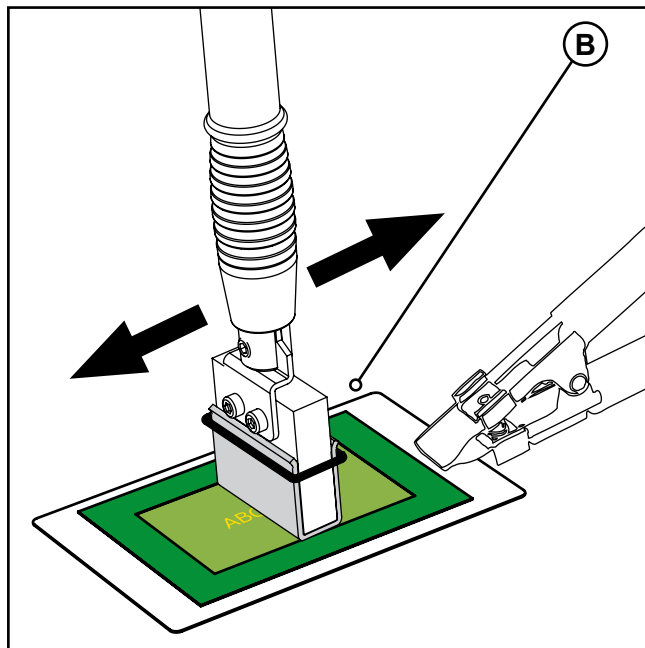
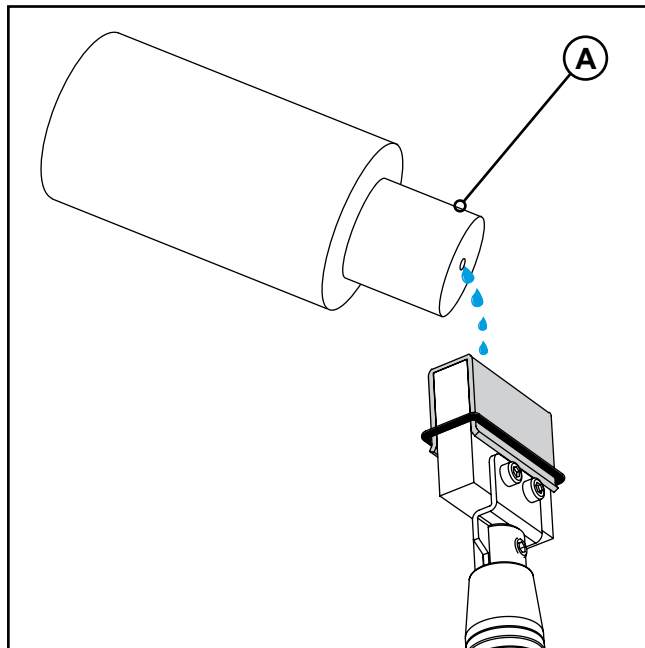
La almohadilla humedecida con la solución electrolítica permite realizar unas 15 marcas consecutivas, tras lo cual debe volver a humedecerse.

- Encienda el dispositivo girando el interruptor principal (situado en el panel frontal de la unidad) a la posición "I".
- Seleccione el modo de funcionamiento deseado pulsando el botón **MODO** del panel de control (ver capítulo 3.3 para más información).
- A diferencia de la limpieza y el pulido, el proceso de marcado/grabado con el inserto de 35 mm requiere una cantidad mínima de corriente, por lo que no es necesario seleccionar una potencia de trabajo determinada.
- Pulse el botón  en el panel de control para iniciar el dispositivo.



Una vez puesto en marcha, el aparato se apaga automáticamente tras unos 30 segundos de inactividad. Se trata de una medida de precaución para evitar que la varilla se encienda accidentalmente al final del proceso.


- Aplique repetidamente la almohadilla de marcado húmeda sobre el logotipo o sobre el texto que debe imprimirse en la superficie de acero inoxidable (B).



- Manténgase dentro de los bordes de la plantilla para evitar marcar el acero fuera de la zona deseada.
- Mantenga siempre la almohadilla humedecida con la solución electrolítica para evitar el sobrecalentamiento y la consiguiente reducción significativa de su vida útil; si hay signos evidentes de desgaste, sustituya el componente inmediatamente.
- Nunca utilice un inserto sin su almohadilla correspondiente; el inserto nunca debe colocarse en contacto directo con la plantilla.
- El dispositivo suministra automáticamente la tensión adecuada cuando se selecciona el modo de funcionamiento de marcado. No pulse los botones - y + del panel de control para ajustar la potencia de salida, ya que de lo contrario podrían producirse diversos problemas, tales como:
 - ◊ Marcado débil y/o poco definido.
 - ◊ Quemaduras en la almohadilla de marcado.
 - ◊ Quemaduras en la plantilla de serigrafía.
 - ◊ Halos no deseados en la pieza.



7.6. DESPUÉS DEL PROCESO

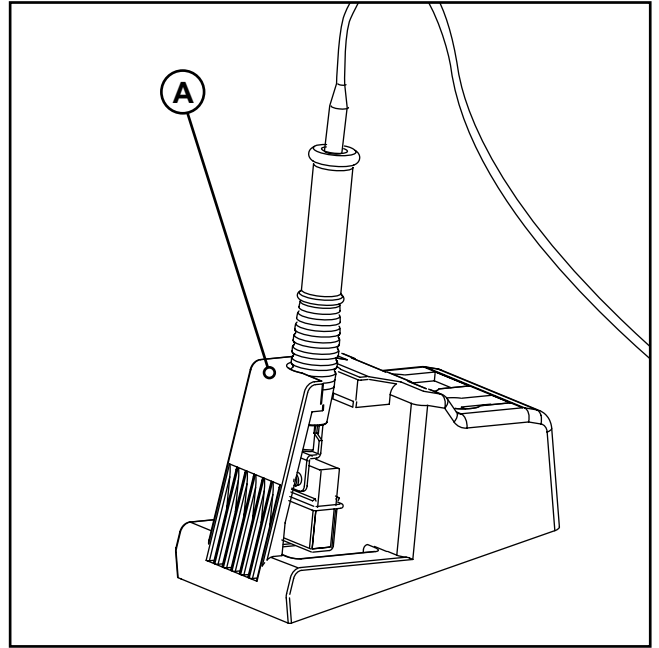
- Pulse el botón  del panel de control para interrumpir el suministro de corriente a la varilla de marcado/grabado.
- Vuelva a poner la varilla en su soporte (A).



Al final del proceso, guarde siempre la varilla y los demás accesorios de forma adecuada. Si la varilla quedara accidentalmente alimentada mientras descansa sobre la pieza tratada, el proceso de marcado electroquímico continuaría en cada porción de acero inoxidable en contacto con la almohadilla y la dañaría permanentemente.

Nunca coloque la varilla encima del dispositivo durante las pausas o al final del tratamiento, ya que la solución electrolítica podría gotear de la almohadilla humedecida y penetrar en el interior de la unidad. Utilice siempre el soporte adecuado y vacíe la bandeja de recogida cuando sea necesario.

En cualquier caso, el aparato debe mantenerse lo más limpio posible.



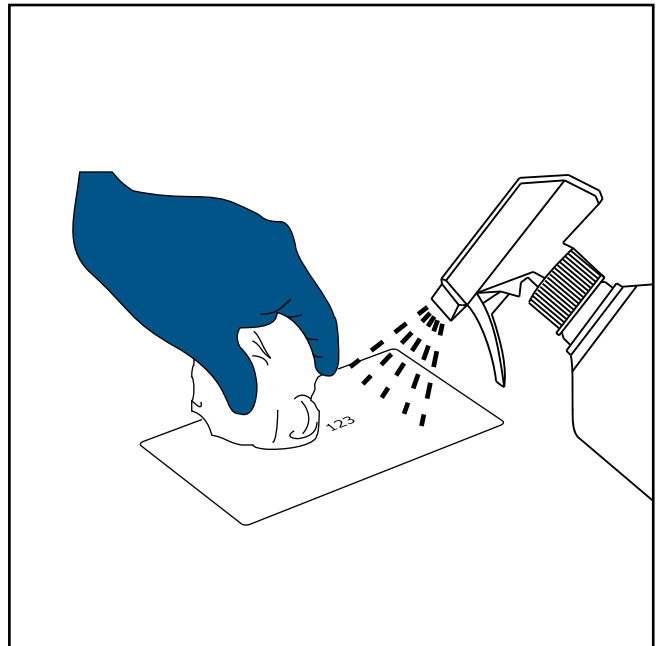
- Desconecte la pinza de cocodrilo del cable de tierra de la pieza mecanizada.
- Aplicar la solución SURFOX-N sobre la pieza tratada.



Es muy importante pulverizar la solución SURFOX-N sobre la pieza; este producto neutraliza cualquier residuo de solución de marcado, evitando así la formación de halos y manchas blancas.

Como alternativa, se puede limpiar la superficie con un chorro abundante de agua.

- Frotar la superficie con un paño de microfibra humedecido con agua limpia.
- Secar la superficie con un paño de microfibra seco.



7.7. APAGADO

- Apague el aparato girando el interruptor principal a la posición "0".
- Desconecte el enchufe del aparato de la toma de corriente.
- Realice el mantenimiento rutinario del aparato tal y como se describe en el *capítulo 8.1*.
- Para limitar cualquier impacto medioambiental, la almohadilla y los líquidos usados deben eliminarse siempre de acuerdo con la normativa vigente sobre eliminación de residuos (consulte el *capítulo 9* para información adicional).

8. MANTENIMIENTO

El mantenimiento del dispositivo debe ser realizado únicamente por técnicos cualificados autorizados por el fabricante.

WALTER no se hace responsable de las pérdidas o daños causados al dispositivo durante las operaciones de reparación llevadas a cabo por personal no formado específicamente para esta tarea.

El fabricante tampoco asume ninguna responsabilidad en caso de uso de piezas o accesorios no originales durante las tareas de mantenimiento; cualquier pérdida o daño directo o indirecto causado por dicha conducta es responsabilidad exclusiva del cliente.



Es importante proceder siempre con extrema precaución durante las operaciones de mantenimiento, recordando:

- Coloque el interruptor principal en la posición "O".
- Desconecte el dispositivo de la red eléctrica.
- Si las operaciones de mantenimiento requieren abrir el dispositivo, tenga siempre el máximo cuidado al manipular las piezas internas, especialmente si se sospecha que hay una pérdida de solución electrolítica del circuito hidráulico.
- Tenga cuidado al retirar componentes del interior del dispositivo, ya que las placas y los soportes pueden tener bordes afilados.

Se recomienda que consulte *el capítulo 1*, donde se detallan todas las normas de seguridad para poder trabajar en el dispositivo minimizando los riesgos.

8.1. MANTENIMIENTO DE RUTINA

ANTES DE CADA TURNO DE TRABAJO

- Compruebe el desgaste de todos los componentes del dispositivo y sustitúyalos si es necesario; utilice únicamente piezas de recambio originales.
- Asegúrese de que las tomas, los conectores y los cables utilizados estén en buen estado; siempre debe garantizarse la fiabilidad de todos los equipos eléctricos.
- Mantenga limpias las ranuras de ventilación del aparato para que no queden obstruidas por ningún obstáculo. Mantenga espacio suficiente alrededor del dispositivo para garantizar una ventilación adecuada.

PROCEDIMIENTOS DE LIMPIEZA AL FINAL DEL TURNO DE TRABAJO

Es importante mantener el dispositivo lo más limpio posible.

- Retire los cepillos/almohadillas del adaptador/inserto para evitar la formación de incrustaciones en el electrodo debido a la evaporación de la solución electrolítica.
- Neutralizar todas estas herramientas con la solución SURFOX-N.
- Tras la neutralización, enjuague siempre los cepillos/almohadillas con agua limpia y séquelos con un paño de microfibra seco.
- Si los cepillos/almohadillas muestran signos evidentes de desgaste o quemaduras, sustitúyalos inmediatamente.
- Una vez enfriados, limpie el inserto de la varilla y la punta con agua corriente para evitar la formación de incrustaciones.
- Limpie los depósitos de polvo y suciedad del exterior de la unidad.
- Mantenga las rejillas de ventilación limpias y libres de cualquier obstrucción.
- Limpie el cable de alimentación para evitar su deterioro y compruebe posibles daños en el cable y el enchufe.

8.2. MANTENIMIENTO EXTRAORDINARIO

Las operaciones de mantenimiento extraordinario suelen ser realizadas por técnicos especializados de la empresa **WALTER** o por su red de centros de servicio autorizados.

9. ELIMINACIÓN Y DESGUACE



Actúe para garantizar la máxima protección del medio ambiente.
Elimine los residuos de acuerdo con la normativa medioambiental Federal, Provincial, Estatal y Local.

9.1. EMBALAJE

Este tipo de residuo es similar a los residuos urbanos y puede eliminarse en los centros de residuos municipales sin que suponga una mayor amenaza para las personas y el medio ambiente.

9.2. ALMOHADILLAS USADAS

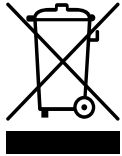
Son residuos especiales y deben eliminarse de acuerdo con la legislación vigente.

9.3. RESIDUOS LÍQUIDOS

Durante el procesamiento (limpieza y pulido) se depositan metales pesados en las soluciones electrolíticas utilizadas: por lo tanto, los líquidos usados deben considerarse residuos especiales y deben eliminarse de acuerdo con la legislación vigente en el país de uso.

Consulte la Ficha de Datos de Seguridad **WALTER** de las soluciones electrolíticas de limpieza SURFOX.

9.4. DISPOSITIVOS Y EQUIPOS OBSOLETOS



Deben considerarse residuos especiales, que deben desecharse según el tipo. En referencia a la Directiva CE-2002/96 sobre residuos de aparatos eléctricos y electrónicos ("WEEE"), el usuario, al deshacerse del material, debe separar los componentes eléctricos y electrónicos y eliminarlos en los centros de recogida autorizados adecuados, o devolverlos al vendedor con el producto aún instalado.

10. DECLARACIÓN DE CONFORMIDAD

Exova
121 Boulevard Hymus
Pointe-Claire
Québec
Canada
H9R 1E6

T: +1 (514) 697-3273
F: +1 (514) 697-2090
C: ventes@exova.com
W: www.exova.com



TEST CERTIFICATE

J. WALTER COMPANY LTD. 5977 TRANS CANADA HIGHWAY POINTE-CLAIRE, Québec H9R 1C1 Requested by Nathalie Vézina X2848	Sample #: 48840 Lab #: 22156 COA #: 23756 Issue #: 2 Date: 2013-02-15	Material: NA Shape: NA Condition: Not Applicable
--	--	---

PO 230113NV **Customer's ID:** 2 samples 3" X 3" pre-passivated and identified as SURFOX-G sample 1 & 2 **Material:** Stainless steel panels

Description: Samples received were cleaned and passivated per ASTM A-380

Label: SURFOX-G sample 1		SALT SPRAY	
Parameter	Unit	Result	
# of Samples		2	
Specimen type		Panels	
Dimensions	inch.	3X3	
Exposure zone temperature	°F	92-97	
Exposure period	hrs	2.5	
Angle		15-30°	
pH		6.5-7.2	
Solution Concentration	% NaCl	4-6	
Collection Rate	ml/hr/80cm²	1.0-2.0	
Type of water	ASTM	Type IV	
Purity of salt		99.95%	
Copper content	ppm	< 0.3	
Total other impurities		< 0.3%	
Halides content		< 0.1%	
Observation		See comments	

Tested in Accordance To ASTM B117-11

SALT SPRAY test in accordance with ASTM A967-05 practice C.

After 2.5 hour exposition in the salt spray chamber:

Surfox- G sample 1: No rust present

Surfox- G sample 2: No rust present

Issue 2: To correct sample identification from issue 1, dated 2013-02-08

Exova
121 Boulevard Hymus
Pointe-Claire
Québec
Canada
H9R 1E6

T: +1 (514) 697-3273
F: +1 (514) 697-2090
C: ventes@exova.com
W: www.exova.com



TEST CERTIFICATE

J. WALTER COMPANY LTD.		Sample #: 48840	Material: NA
5977 TRANS CANADA HIGHWAY		Lab #: 22156	Shape: NA
POINTE-CLAIRE, Québec		COA #: 23756	Condition: Not Applicable
H9R 1C1		Issue #: 2	
Requested by Nathalie Vézina X2848		Date: 2013-02-15	
PO	230113NV	Customer's ID: 2 samples 3" X 3" pre-passivated and identified as SURFOX-G sample 1 & 2	Material: Stainless steel panels
Description:	Samples received were cleaned and passivated per ASTM A-380		

Label: SURFOX-G sample 1

TECHNICAL SERVICES **

WATER IMMERSION TEST as per ASTM A967-05 practice A

The samples were immersed in distilled water for 1h, followed by a drying period of 1 h in a dessicator. This cycle was repeated 12 times. Test results

Surfox-G sample 1: No metallic iron particles were observed on the test zone at the end of the cycles.

Surfox-G sample 2: No metallic iron particles were observed on the test zone at the end of the cycles.

HUMIDITY TEST as per ASTM A967-05 Practice B.

The samples were cleaned with acetone and dried in a dessicator. They were then exposed to 100% humidity (38±3 °C) for 24 hours. Test results :

Surfox-G sample 1: No rust observed on the tested zone at the end of exposure.

Surfox-G sample 2: No rust observed on the tested zone at the end of exposure.

COPPER SULFATE TEST in accordance with ASTM A967-05 practice D.

The test solution was prepared by dissolving 4 grams of copper sulfate in 250 ml of water, to which 1 ml of sulfuric acid was added.

The test solution was swabbed on the samples and were to keep them humid for at least 6 minutes. Test results:

Surfox-G sample 1: No copper deposit observed on the tested zone.

Surfox-G sample 2: No copper deposit observed on the tested zone.

POTASSIUM FERRICYANIDE-NITRIC ACID TEST in accordance with ASTM A967-05 practice E.

The test solution was prepared by adding 10g of chemically pure potassium ferricyanide to 500ml of distilled water , adding 30 mL of 70% nitric acid, agitating until all of ferricyanide was dissolved, and diluting to 1000 mL with distilled water. The test solution was swabbed on the surface of the samples. Test results :

Surfox-G sample 1: There was no formation of a dark blue color within 30s on the tested zone.

Surfox-G sample 2: There was no formation of a dark blue color within 30s on the tested zone.

Each test was performed on separate samples.

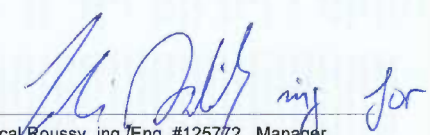
Issue 2: To correct sample identification from issue 1, dated 2013-02-08

Aerospace/military samples shall be retained for 6 months, other samples, see contract terms and conditions.

The recording of false, fictitious or fraudulent statements or entries on this document may be punished as a felony under federal law.

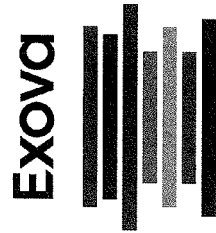
* Denotes the laboratory is accredited to the identified test method by ISO 17025 but not by NadCap.

** Denotes the laboratory is not accredited to the identified test method by ISO 17025 or NadCap.


Pascal Roussy, ing./Eng. #125772, Manager,
Metallurgy and Mechanical Testing

Exova
 121 Boulevard Hymus
 Pointe-Claire
 Québec
 Canada
 H9R 1E6

T: +1 (514) 697-3273
 F: +1 (514) 697-2090
 C: ventes@exova.com
 W: www.exova.com



TEST CERTIFICATE

J. WALTER COMPANY LTD. 5977 TRANS CANADA HIGHWAY POINTE-CLAIRE, Québec H9R 1C1 Requested by Nathalie Vézina X2848	Sample #: 31067 Lab #: 13887 COA #: 15164 Issue #: 1 Date: 2010-11-19	Material: NA Shape: NA Condition: Not Applicable
--	--	---

PO	08112010-NV	Client's ID	8 test panels 3" X 10" - 4 panels identified as Surfox-H and 4 panels identified as Surfox-T	Description	Samples received were cleaned and passivated per ASTM A380
-----------	-------------	--------------------	--	--------------------	--

Label: Surfox-H and T

TECHNICAL SERVICES **

WATER IMMERSION TEST as per ASTM A967-05 practice A

The two samples were immersed in distilled water for 1h, followed by a drying period of 1 h in a dessicator

This cycle was repeated 12 times

Observation after the test :

Surfox-H : No metallic iron particles were observed in the test zone at the end of the cycles.

Surfox-T : No metallic iron particles were observed in the test zone at the end of the cycles.

Aerospace/military samples shall be retained for 6 months, other samples, see contract terms and conditions.

The recording of false, fictitious or fraudulent statements or entries on this document may be punished as a felony under federal law.

* Denotes the laboratory is accredited to the identified test method by ISO 17025 but not by NadCap.

** Denotes the laboratory is not accredited to the identified test method by ISO 17025 or NadCap.


 Fadi Saliby, ing.

1 of 1

THE RESULTS PRESENTED ABOVE RELATE ONLY TO THE ITEMS SUBMITTED FOR TESTING
 THIS CERTIFICATE OR REPORT SHALL NOT BE REPRODUCED EXCEPT IN FULL, WITHOUT APPROVAL OF LABORATORY.



Exova
121 Boulevard Hymus
Pointe-Claire
Québec
Canada
H9R 1E6

T: +1 (514) 697-3273
F: +1 (514) 697-2090
C: ventes@exova.com
W: www.exova.com



TEST CERTIFICATE

J. WALTER COMPANY LTD. 5977 TRANS CANADA HIGHWAY POINTE-CLAIRE, Québec H9R 1C1 Requested by Nathalie Vézina X2848	Sample #: 31068 Lab #: 13887 COA #: 15165 Issue #: 1 Date: 2010-11-19	Material: NA Shape: NA Condition: Not Applicable
--	--	---

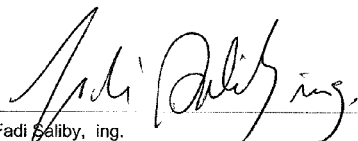
PO	08112010-NV	Client's ID	8 test panels 3" X 10" - 4 panels identified as Surfox-H and 4 panels identified as Surfox-T	Description	Samples received were cleaned and passivated per ASTM A380
-----------	-------------	--------------------	--	--------------------	--

Label: Surfox-H and T	TECHNICAL SERVICES **
------------------------------	------------------------------

HUMIDITY TEST as per ASTM A967-05 Practice B.
The two samples were cleaned with acetone and dried in a dessicator. They were then exposed to 100% humidity (38±3 °C) for 24 hours.

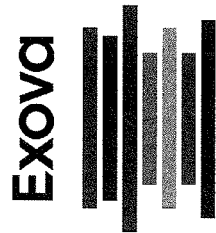
Test results :
Surfox-H : No rust observed
Surfox-T : No rust observed

Aerospace/military samples shall be retained for 6 months, other samples, see contract terms and conditions.
The recording of false, fictitious or fraudulent statements or entries on this document may be punished as a felony under federal law.
* Denotes the laboratory is accredited to the identified test method by ISO 17025 but not by NadCap.
** Denotes the laboratory is not accredited to the identified test method by ISO 17025 or NadCap.


Fadi Saliby, ing.

Exova
 121 Boulevard Hymus
 Pointe-Claire
 Québec
 Canada
 H9R 1E6

T: +1 (514) 697-3273
 F: +1 (514) 697-2090
 C: ventes@exova.com
 W: www.exova.com



TEST CERTIFICATE

J. WALTER COMPANY LTD. 5977 TRANS CANADA HIGHWAY POINTE-CLAIRE, Québec H9R 1C1 Requested by Nathalie Vézina X2848	Sample #: 31069 Lab #: 13887 COA #: 15166 Issue #: 1 Date: 2010-11-19	Material: NA Shape: NA Condition: Not Applicable
--	--	---

PO	08112010-NV	Client's ID	8 test panels 3" X 10" - 4 panels identified as Surfox-H and 4 panels identified as Surfox-T	Description	Samples received were cleaned and passivated per ASTM A380
-----------	-------------	--------------------	--	--------------------	--

Label: Surfox-H and T		SALT SPRAY	
Parameter	Unit	Result	
# of Samples		2	
Specimen type		Panels	
Dimensions	inch.	3X10	
Exposure zone temperature	°F	92-97	
Exposure period	hrs	3	
Angle		15-30°	
pH		6.5-7.2	
Specific gravity		1.0255-1.040	
Collection Rate	ml/hr/80cm ²	1.0-2.0	
Type of water	ASTM	Type IV	
Purity of salt		99.95%	
Copper content	ppm	< 0.3	
Total other impurities		< 0.3%	
Halides content		< 0.1%	
Observation		See comments	

Tested in Accordance To SOP-54-009-93 (ASTM B117-09)

SALT SPRAY test in accordance with ASTM A967-05 practice C.

After 2 hour exposition in the salt spray chamber:

Surfox-H: No rust present

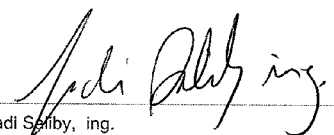
Surfox-T: No rust present

Aerospace/military samples shall be retained for 6 months, other samples, see contract terms and conditions.

The recording of false, fictitious or fraudulent statements or entries on this document may be punished as a felony under federal law.

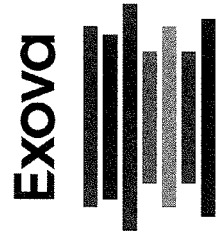
* Denotes the laboratory is accredited to the identified test method by ISO 17025 but not by NadCap.

** Denotes the laboratory is not accredited to the identified test method by ISO 17025 or NadCap.


 Fadi Saibby, ing.

Exova
121 Boulevard Hymus
Pointe-Claire
Québec
Canada
H9R 1E6

T: +1 (514) 697-3273
F: +1 (514) 697-2090
C: ventes@exova.com
W: www.exova.com



TEST CERTIFICATE

J. WALTER COMPANY LTD. 5977 TRANS CANADA HIGHWAY POINTE-CLAIRE, Québec H9R 1C1 Requested by Nathalie Vézina X2848	Sample #: 31070 Lab #: 13887 COA #: 15167 Issue #: 1 Date: 2010-11-19	Material: NA Shape: NA Condition: Not Applicable
--	--	---

PO	08112010-NV	Client's ID	8 test panels 3" X 10" - 4 panels identified as Surfox-H and 4 panels identified as Surfox-T	Description	Samples received were cleaned and passivated per ASTM A380
-----------	-------------	--------------------	--	--------------------	--

Label: Surfox-H and T	TECHNICAL SERVICES **
------------------------------	------------------------------

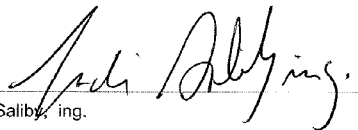
COPPER SULFATE test in accordance with ASTM A967-05 practice D.

The test solutin was prepared by dissolving 4 grams of copper sulfate in 250 ml of water, to which 1 ml of sulfuric acid was added. The test solution was swabbed on the two samples and were to keep them humid for at least 6 minutes.

Test results:

Surfox-H :No copper deposit observed
Surfox-T :No copper deposit observed

Aerospace/military samples shall be retained for 6 months, other samples, see contract terms and conditions.
The recording of false, fictitious or fraudulent statements or entries on this document may be punished as a felony under federal law.
* Denotes the laboratory is accredited to the identified test method by ISO 17025 but not by NadCap.
** Denotes the laboratory is not accredited to the identified test method by ISO 17025 or NadCap.


Fadi Saliby, ing.

11. CONDICIONES GENERALES DE GARANTÍA

- El SURFOX MAX y sus accesorios son inspeccionados y probados antes de su envío y se garantiza que están libres de cualquier defecto de material y mano de obra defectuosa
- Los dispositivos fabricados por **WALTER** están garantizados contra defectos de material y construcción durante un periodo de 24 meses a partir de la fecha de compra original.
- Si un examen demuestra que el mal funcionamiento fue causado por material defectuoso o mano de obra defectuosa, **WALTER** reparará (o en nuestra opción, reemplazar la unidad) sin cargo..
- En caso de uso inadecuado, **WALTER** no será responsable de ninguno de los siguientes casos:
 - ◊ Daños personales (leves, moderados o mortales) al usuario o a un tercero.
 - ◊ Daños a la propiedad en las proximidades del dispositivo o daños al propio dispositivo.
 - ◊ Rendimiento del dispositivo por debajo de lo esperado.
 - ◊ Uso que infrinja la normativa aplicable.
 - ◊ Instalación incorrecta del dispositivo.
 - ◊ Uso de una fuente de alimentación que no cumpla las especificaciones del equipo.
 - ◊ Falta grave de mantenimiento.
 - ◊ Modificaciones o ajustes no autorizados.
 - ◊ Utilización de piezas de recambio no originales o no específicas de esta gama de modelos.
 - ◊ Uso de líquidos no recomendados **WALTER** o no específicos para esta gama de modelos.
 - ◊ Incumplimiento, total o parcial, de las instrucciones.
 - ◊ Condiciones excepcionales.
 - ◊ Otros usos inadecuados.
- Los trabajos cubiertos por la garantía serán realizados en la Fábrica **WALTER** o Centro de Servicio Autorizado en los siguientes términos:
 - ◊ La garantía no se aplica cuando se requiera un mantenimiento normal.
 - ◊ Los fletes, embalajes y gastos de envío son siempre por cuenta del usuario y la mercancía viaja por su cuenta y riesgo; debemos recibir el material a flete pre-pagados y convenientemente embalado.
 - ◊ La garantía no se aplica a los productos que hayan sido desmontados, reparados o manipulados de cualquier forma por personal no autorizado, o si se ha eliminado o modificado el número de serie.
 - ◊ Las averías derivadas de golpes, negligencias, uso indebido, alimentación eléctrica incorrecta o errores de corrección no están cubiertas por la garantía.
 - ◊ La garantía no cubre los daños causados por accidentes, modificaciones, uso de accesorios inadecuados, abuso o uso indebido, lo que incluye también la sobrecarga de la herramienta por encima de su capacidad nominal, así como su uso continuado tras un fallo parcial.
 - ◊ Los componentes accesorios ampliables del dispositivo no están cubiertos por la garantía.
 - ◊ La garantía cubre los materiales y la mano de obra necesarios para las operaciones de sustitución. Los fletes, gastos de desplazamiento, etc. no están incluidos y se facturarán a precio de coste.
- No se autoriza ninguna otra garantía, escrita o verbal.
- En ningún caso **WALTER** será responsable de daños indirectos, incidentales o consecuentes de la venta del producto. Esta exención de responsabilidad se aplica tanto durante como después de la vigencia de esta garantía.
- Esta garantía le otorga derechos específicos. Las disposiciones contenidas en esta garantía no pretenden limitar, modificar, quitar, negar o excluir ninguna garantía establecida en cualquier legislación provincial o estatal. En la medida en que lo exija la ley, las disposiciones de cualquier legislación Provincial, Estatal o Federal con respecto a las garantías tienen prioridad sobre las disposiciones de esta garantía.

12. REPARACIÓN Y SERVICIO

- Después del período de garantía, nuestro servicio postventa estará a disposición del cliente para cualquier ajuste y/o reparación de los dispositivos que hayamos fabricado. Los costes correspondientes se presentarán para su aprobación en forma de presupuesto (si se solicita) o se facturarán en función del tiempo y los materiales.
- Si es necesario devolver el SURFOX MAX a la Fábrica **WALTER** o al Centro de Servicio Autorizado, todo el equipo debe ser cuidadosamente preparado y embalado para garantizar un envío seguro:
 - ◇ Limpiar, neutralizar y secar todos los accesorios.
 - ◇ Limpie la unidad.
 - ◇ Utilice la caja de transporte original.
 - ◇ Utilice embalaje suficiente.
 - ◇ Envíelo en un palé pequeño.
 - ◇ Asegúrese de incluir un documento de envío con una descripción detallada del problema, nombre de la empresa, dirección, números de teléfono y fax y persona de contacto.



Recoja todo el líquido en un recipiente adecuado resistente a los ácidos.

WALTER no se responsabiliza por cualquier pérdida o daño a personas o bienes debido a la fuga de solución electrolítica del depósito durante las operaciones de embalaje y envío a los centros de servicio.

13. ESPECIFICACIONES TÉCNICAS

Modelo	SURFOX MAX	
Número de la pieza	54-D 096	54-D 095
Tensión de entrada	120 V - 50/60 Hz	230 V - 50/60 Hz
Potencia de entrada	1200 W	2400 W
Corriente de entrada	10 A	
Tensión de salida	3÷30 V	
Ajuste de la tensión de salida	1V	
Clase de aislamiento	IP21S	
Nivel de ruido	<65 dB (A)	
Peso (vacío)	20 lb (9.2 kg)	
Dimensiones	6.1" x 10.8" x 16.1" (155 x 275 x 410 mm)	
Varillas	Varilla DW Varilla de marcado *	
Funciones	Limpieza Pulido Marcado	

* opcional



Walter Surface Technologies Inc.
810 Day Hill Road
Windsor, CT 06095, EE.UU
Teléfono: 860-298-1100
Servicio al Cliente: 800-522-0321
Soporte Técnico: 1-866-592-5837