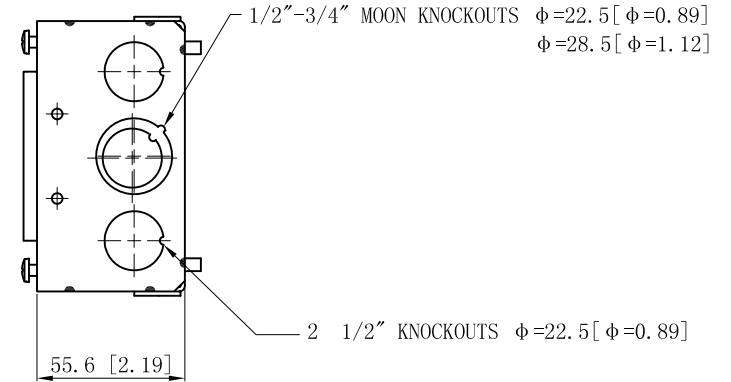
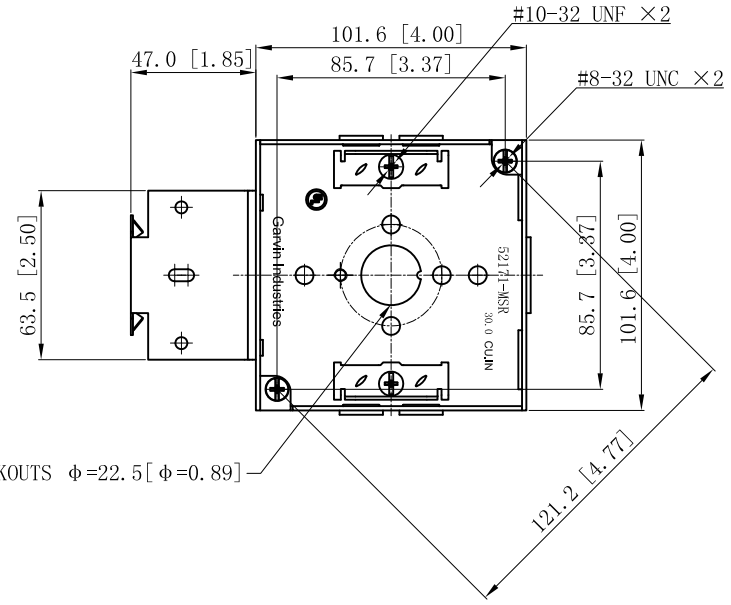
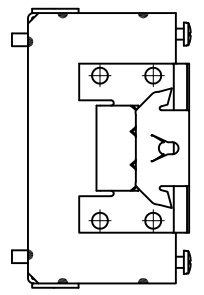
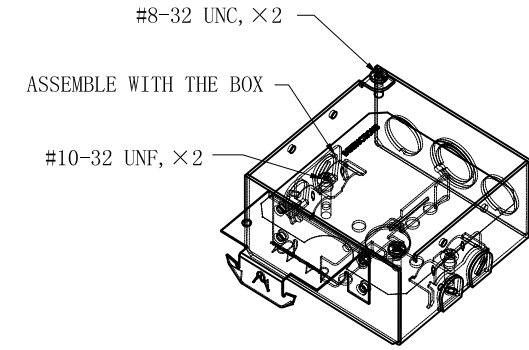
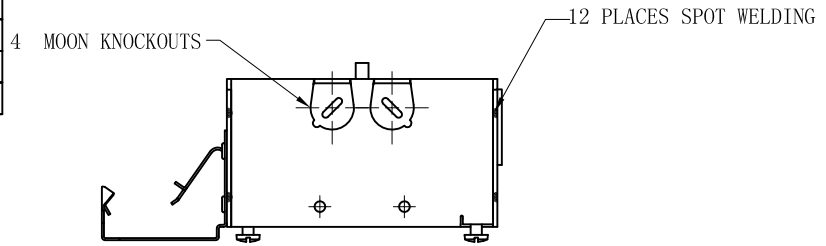


SIDES	BOTTOM
4 KNOCKOUTS	1/2" KNOCKOUTS
2 1/2" KNOCKOUTS	
1/2"-3/4" MOON KNOCKOUTS	
2 PCS 8-32×1/2 Screws Installed	
2 PCS 10-32×1 Screws Installed	
Material:Steel-0.0625"-G60 Galvanized	



2 1/2" KNOCKOUTS $\phi=22.5 [\phi=0.89]$

This data sheet is for reference only .GARVIN INDUSTRIES reserves the right to make changes to the design without prior notice.

DESCRIPTION
TRADE REFERENCE TERMS

STANDARD PACKING
25 PCS

GARVIN INDUSTRIES		
TITLE 4" SQUARE BRACKET BOXES (2-1/8" DEEP)		
SIZE A4	DWG NO. 52171-MSR	REV C
DATA SHEET		
www.garvinindustries.com		