


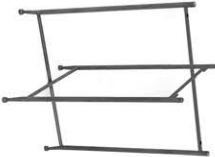



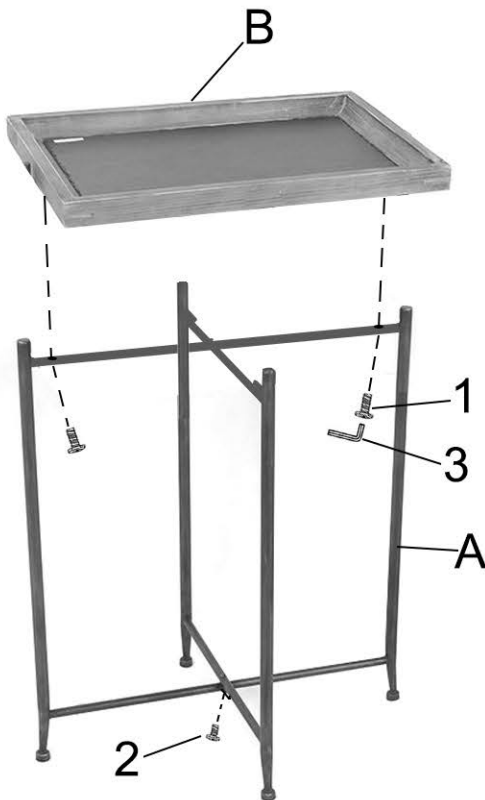
ASSEMBLY INSTRUCTIONS

Parts required

| | | | | |
|---|---|--------------|----------|------|
| 1 |  | Bolt | Φ6*25MML | 2pcs |
| 2 |  | Bolt | Φ6*12MML | 1pc |
| 3 |  | Allen wrench | | 1pc |

| | | |
|---|--|-----|
| A |  | 1pc |
| B |  | 1pc |

1.



2.

