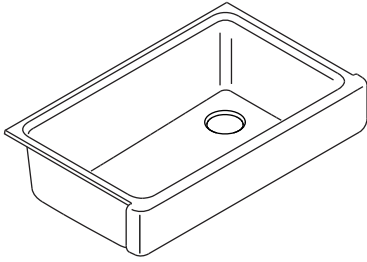


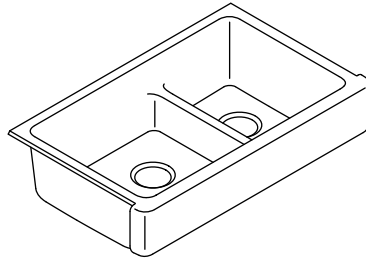
Installation and Care Guide

Kitchen Sinks

K-5664, K-5826, K-6486, K-6488



K-6426

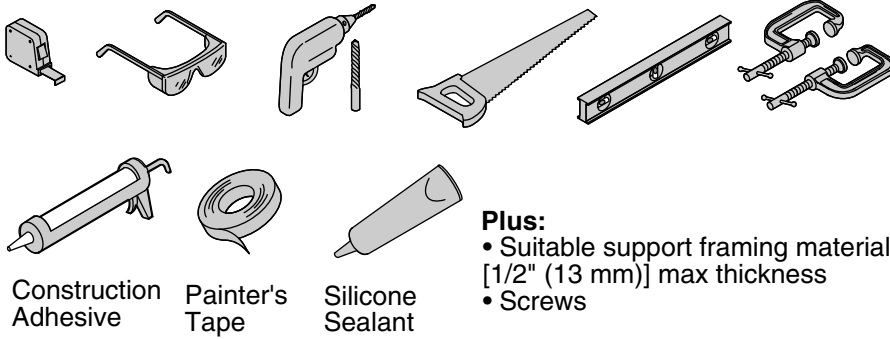


Français, page "Français-1"
Español, página "Español-1"

THE BOLD LOOK
OF **KOHLER**®

1217971-2-B

Tools and Materials



Important Information



CAUTION: Risk of personal injury. Cast iron sinks are heavy. Get help when lifting or moving.

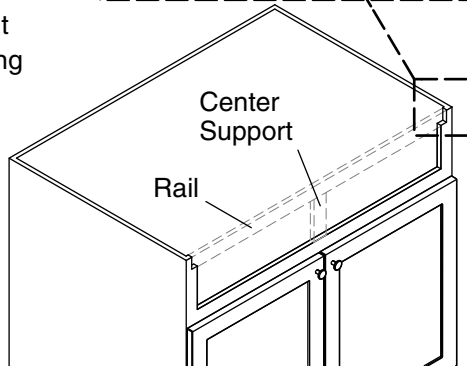
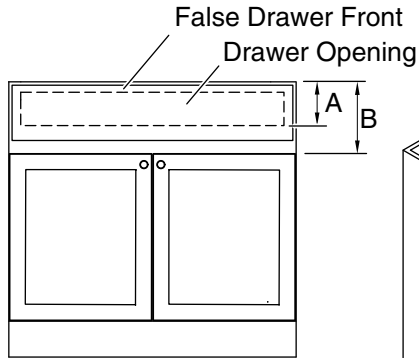
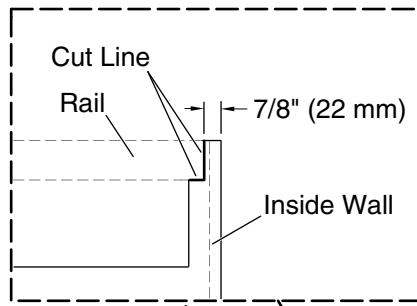
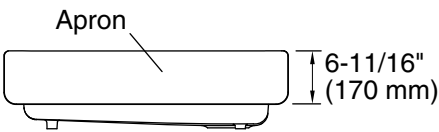
IMPORTANT! Refer to the "Roughing-In and Preparation" section for cabinet dimensional requirements.

IMPORTANT! The cabinet must be installed and secured, and must be plumb and level.

IMPORTANT! Long screws may damage adjacent cabinets. Ensure the screws are long enough to secure the support framing, but short enough not to extend through the walls of adjacent cabinets.

- Due to the nature of under-mount installations, Kohler Co. recommends that under-mount sink installations be performed by trained and experienced installers.
- Use proper fasteners and techniques to ensure the frame will support a minimum of 300 lbs (136 kg). Locate the fasteners for easy access in the event the sink needs to be removed.
- For K-5664 Only:** This sink is intended for installation into a standard 24" base cabinet.
- For K-5826 Only:** This sink is intended for installation into a standard 33" base cabinet.
- For K-6426 and K-6488:** This sink is intended for installation into a standard 36" base cabinet.
- For K-6486 Only:** This sink is intended for installation into a standard 30" base cabinet.
- Observe all local plumbing and building codes.

A = Top of Cabinet to Bottom of
Drawer Opening
B = Top of Cabinet to Top of Doors



1. Roughing-In and Preparation

IMPORTANT! Before installing this sink, verify the opening height (A) is less than the apron height, and the distance to the top of the doors (B) is greater than the apron height.

NOTE: For cabinets with flat fronts (no false drawer openings), proceed to the "Prepare the Cabinet - Flat Front" section.

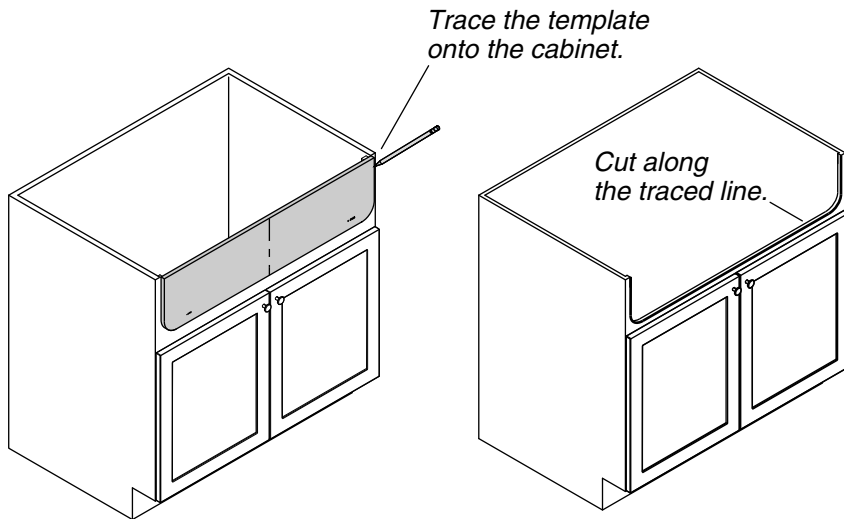
- Remove the false drawer front from your cabinet. Use care not to damage the cabinet.

TIP: Apply painter's tape to the cabinet to mark cuts and protect cabinet surfaces when cutting.

- Measure and mark 7/8" (22 mm) in from the outside edge of the cabinet. Repeat for the other side.
- Cut along each marked line until the cut extends slightly beyond the top of the drawer opening/top rail of the cabinet.
- Following the bottom edge of the rail, extend your cut until it intersects with the previous cut. Repeat for the other side.

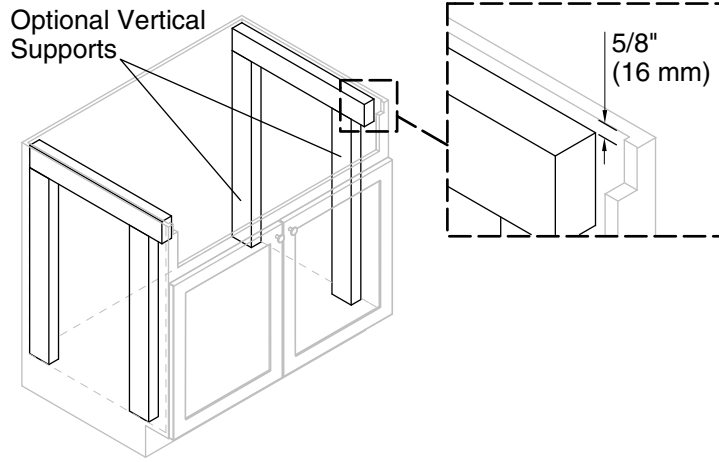
Roughing-In and Preparation (cont.)

- If your cabinet has a center support, cut along the bottom of the support, even with the drawer opening.
- Remove and discard the rail.



2. Prepare the Cabinet - Flat Front

- **TIP:** Apply painter's tape to the cabinet to mark cuts and protect the cabinet surfaces when cutting.
- Position the template on the front of the cabinet flush with the top and centered left to right; secure with tape.
- Trace the template and remove.
- Cut the cabinet along the traced line.



3. Install the Support Framing

NOTICE: For proper countertop installation, the top of the sink must not extend above the top of the cabinet.

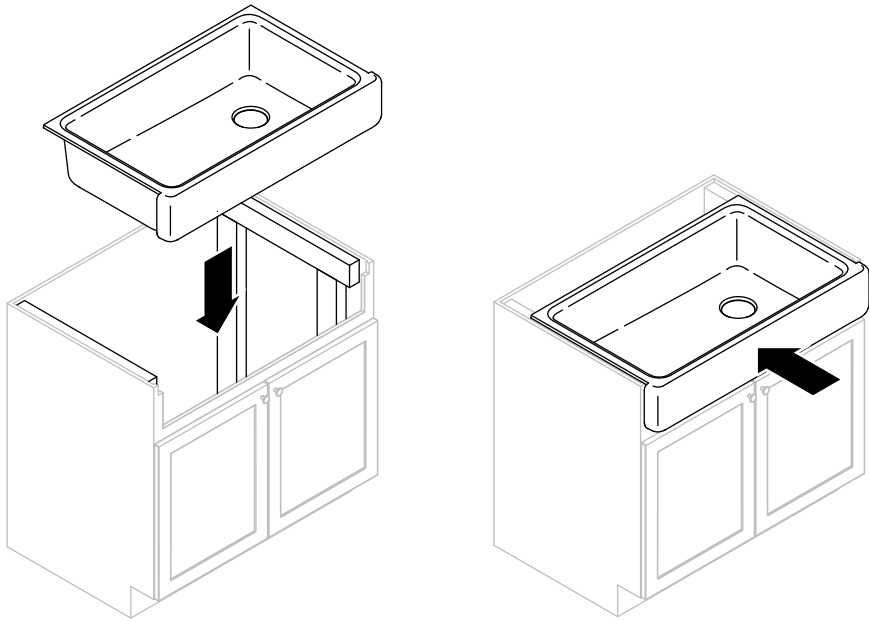
- Cut two lengths of support framing to extend horizontally along the inside walls on each side of the cabinet.
- Measure and mark the support mounting locations; ensure the sink rim will sit at or slightly below the top of the cabinet.
- Position and level the supports.

TIP: Use clamps to hold the supports in position.

- Secure the supports with construction adhesive and screws (not provided).

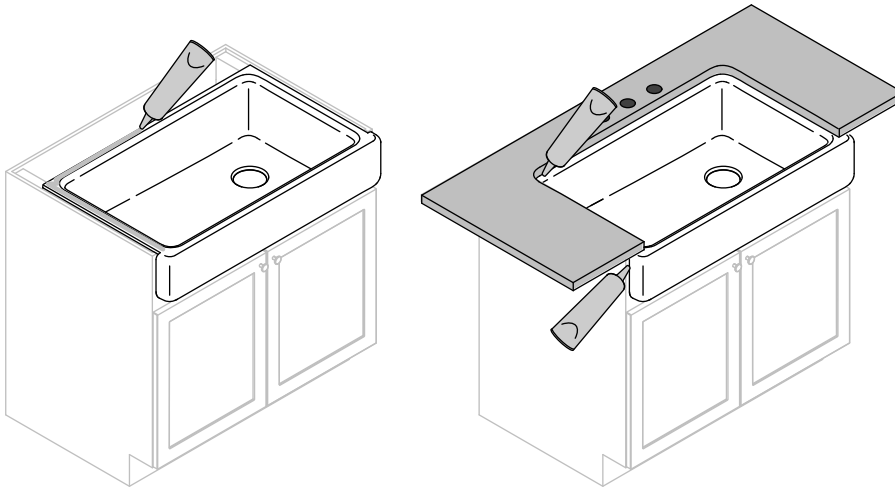
Optional Vertical Supports

- Cut four lengths of support framing to extend from the bottom of the horizontal supports to the floor of the cabinet.
- Secure the vertical supports with construction adhesive and screws (not provided).



4. Install the Sink

- Lower the sink onto the supports; verify the sink is supported by the frame.
- Push the sink in to ensure the apron is flush to the front of the cabinet.
- Verify the sink is level; make any adjustments and shim as needed.



5. Install the Countertop

- Apply a bead of silicone sealant around the side and back of the sink.
- Install the countertop.
- Apply a thin bead of silicone sealant where the sink meets the countertop and cabinet.
- Immediately wipe away any excess sealant.

6. Complete the Installation

- Install the faucet and the strainers, according to the installation instructions.
- Connect the trap to the strainers.

Care and Cleaning

For best results, keep the following in mind when caring for your KOHLER product:

Care and Cleaning (cont.)

- Always test your cleaning solution on an inconspicuous area before applying to the entire surface.
- Wipe surfaces clean and rinse completely with water immediately after applying cleaner. Rinse and dry any overspray that lands on nearby surfaces.
- Do not allow cleaners to soak on surfaces.
- Use a soft, dampened sponge or cloth. Never use an abrasive material such as a brush or scouring pad to clean surfaces.
- Be careful not to leave staining materials in contact with the surface for extended periods of time.
- The ideal cleaning technique is to rinse thoroughly and blot dry any water from the surface after each use.

For detailed cleaning information and products to consider, visit www.kohler.com/clean. To order Care & Cleaning information, call 1-800-456-4537.

Warranty

KOHLER® Enameled Cast Iron Kitchen Sink Lifetime Limited Warranty

Kohler Co. warrants the enameled cast iron component of kitchen, entertainment, or utility sinks manufactured after April 29, 2008, to be free of defects in material and workmanship during normal residential use for as long as the original consumer purchaser owns his or her home. **Kohler Co. further warrants that the enameled cast iron component of the product will not chip, crack or burn for as long as the original consumer purchaser owns his or her home.** Gloss reduction, scratching, staining and alkaline etching of the finish over time due to use, cleaning practices or water or atmospheric conditions, are not manufacturing defects but are indicative of normal wear and tear. This warranty applies only to KOHLER Cast Iron kitchen, entertainment and utility sinks installed in the United States of America, Canada or Mexico ("North America").

If a defect is found in normal residential use, Kohler Co. will, at its election, replace the defective cast iron component, or make other appropriate adjustment. Damage caused by misuse or abuse is not covered by this warranty. Improper care and cleaning will void the warranty. Proof of purchase (original sales receipt) must be provided to Kohler Co. with all warranty claims. Kohler Co. is not responsible for removal, installation, labor charges, or other incidental or consequential

Warranty (cont.)

costs. In no event shall the liability of Kohler Co. exceed the purchase price of the kitchen, entertainment or utility sink.

If the cast iron kitchen, entertainment or utility sink is used commercially or is installed outside of North America, Kohler Co. warrants that for one (1) year from the date the product is installed the cast iron product will be free from defects in material and workmanship, and will not chip, crack or burn. All other terms of this warranty apply except for duration. All other components other than the enameled cast iron component carry Kohler Co.'s one-year limited warranty unless otherwise specified.

If you believe that you have a warranty claim, contact your Dealer, Plumbing Contractor, Home Center or E-tailer, or by writing Kohler Co., Attn.: Customer Care Center, 444 Highland Drive, Kohler, WI 53044, USA. Please be sure to provide all pertinent information regarding your claim, including a complete description of the problem, the product, model number, color, finish, and the date the product was purchased and from whom the product was purchased. Also include your original invoice. For other information, or to obtain the name and address of the service and repair facility nearest you, call 1-800-4KOHLE (1-800-456-4537) from within the USA and Canada, and 001-877-680-1310 from within Mexico or visit www.kohler.com within the USA, www.ca.kohler.com from within Canada, or www.mx.kohler.com in Mexico.

KOHLER CO. AND/OR SELLER ARE PROVIDING THIS WARRANTY IN LIEU OF ALL OTHER WARRANTIES, EXPRESSED OR IMPLIED, INCLUDING BUT NOT LIMITED TO THE IMPLIED WARRANTIES OF MERCHANTABILITY AND FITNESS FOR A PARTICULAR PURPOSE. KOHLER CO. AND/OR SELLER DISCLAIMS ANY LIABILITY FOR SPECIAL, INCIDENTAL OR CONSEQUENTIAL DAMAGES. Some states/provinces do not allow limitations on the duration of an implied warranty or the exclusion or limitation of such damages, so these limitations and exclusions may not apply to you. This warranty gives the consumer specific legal rights. You may also have other rights that vary from state/province to state/province. This warranty is extended to the original consumer purchaser only, and excludes product damage due to installation error, or product abuse or product misuse, whether attributable to the consumer, a contractor, service company or other third party.

This is Kohler Co.'s exclusive written warranty.